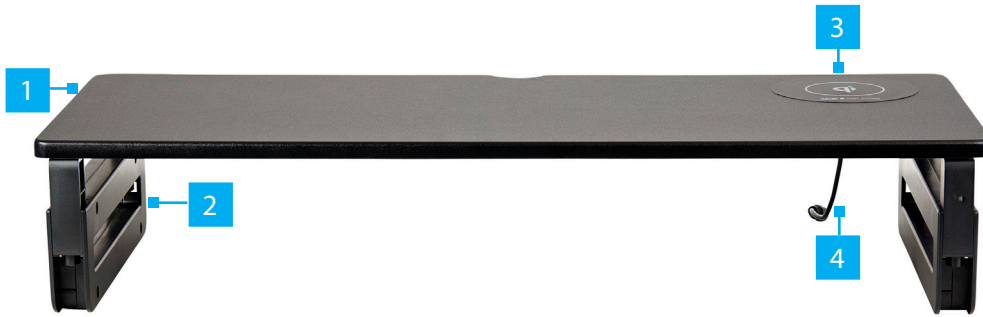


Monitor Riser with Integrated Qi Charging Pad

Product Diagram (MONSTADQI)



Component	Function
1 Stand Top with Integrated Qi Charger	<ul style="list-style-type: none"> • 23.6 x 9.8 inches (600 x 250 mm) surface area • Holds a Monitor, a Mobile Device with Wireless Charging Capabilities, and a Notebook/Paper Documents
2 Legs	<ul style="list-style-type: none"> • Adjustable height: <ul style="list-style-type: none"> • Legs folded down - 3.3 inches (83.5 mm) • Legs folded up - 4.5 inches (115.5 mm)
3 Qi Charger	<ul style="list-style-type: none"> • 15W Charging for a Mobile Device with Wireless Charging Capabilities
4 Power Cable	<ul style="list-style-type: none"> • Connect the Power Adapter (included) to provide power to the Qi Charger

Requirements

For the latest requirements and full manual, please visit:
www.startech.com/MONSTADQI.

- Mobile Device with Wireless Charging Capabilities x 1
- Clean, Flat, and Stable Surface

Installation

Assembling the Monitor Riser

1. Determine the desired height for the **Stand Top**.

2. (Optional -- Increase the height of the **Monitor Riser Legs**) Rotate the **Height Adjustment Arms** found on the sides of the **Legs** out and up. The **Height Adjustment Arms** pivot from a single point in the **Legs**. Ensure all four **Height Adjustment Arms** have been fully rotated out and up before proceeding to the next step. (Figure 1)

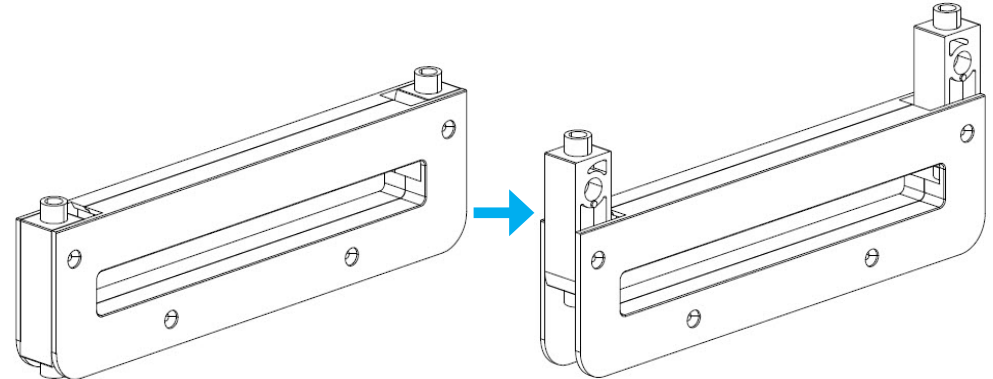


Figure 1

3. Place the **Stand Top**, top side down, onto a **Clean, Flat, and Stable Surface**.
4. Align the two **Pegs** on one of the **Legs** with the two **Holes** in the **Stand Top**. (Figure 2)

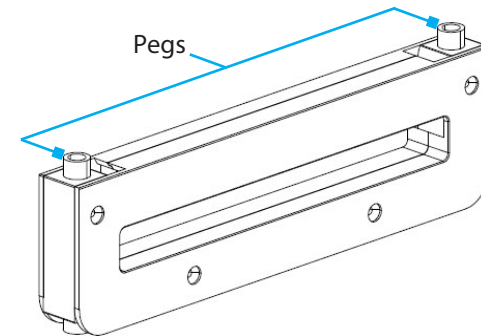


Figure 2

5. Firmly press the two **Pegs** on one of the **Legs** into the two **Holes** in the **Stand Top**.
6. Repeat steps 4-5 to install the second **Leg**.
7. Flip the **Monitor Riser Assembly** upright and position it on a **Clean, Flat, and Stable Surface** for use.
8. Connect the **Power Adapter** to the **Power Cable** and to an available **Power Source**.

To view manuals, FAQs, videos, drivers, downloads, technical drawings, and more, visit www.startech.com/support.

Operation

Charge a Mobile Device

Note - if your Mobile Device is housed within an external Case: Check with the manufacturer of your **Case** to determine if the **Mobile Device with Wireless Charging Capabilities** can be Qi charged with the **Case** installed.

- Place a **Mobile Device with Wireless Charging Capabilities** onto the center of the **Qi Charger** found on the right-side of the **Stand Top with Integrated Qi Charger**. (Figure 3)



Figure 3

Adjusting the Height of the Monitor Riser

- Remove the **Monitor, Mobile Device with Wireless Charging Capabilities,** and **Notebook/Paper Documents** from the **Monitor Riser Assembly**.
- Disconnect the **Power Adapter** from the **Power Source** and the **Power Cable**.
- Place the **Monitor Riser Assembly**, top side down, onto a **Clean, Flat, and Stable Surface**.
- Remove the **Legs** from the **Stand Top**. Wiggle the **Legs** back and forth while pulling them up and out of the **Stand Top**.

Warning: Always exercise caution while removing the **Legs**. The **Legs** should always be slowly yet firmly shifted back and forth while removing them to prevent any damage to the **Legs** or **Stand Top**.

- Rotate the **Height Adjustment Arms** found on the sides of the **Legs** out and up to increase the height or out and down to decrease the height. The **Height Adjustment Arms** pivot from a single point in the **Legs**. Ensure all four **Height Adjustment Arms** have been fully rotated before proceeding to the next step.
- Follow steps 4-6 from [Installation - Assembling the Monitor Riser](#) to reinstall the **Legs**.
- Flip the **Monitor Riser Assembly** upright and position it on a **Clean, Flat, and Stable Surface** for use.
- Connect the **Power Adapter** to the **Power Cable** and to an available **Power Source**.

Warning Statements

Make sure that you assemble this product according to the instructions. Do not exceed the weight capacity of this product. Overloading this product might result in injury or property damage. This product can support the following weight: 33 lb. (15 kg). This product is intended for indoor use only and should not be used outdoors.

Use of Trademarks, Registered Trademarks, and other Protected Names and Symbols

This manual may make reference to trademarks, registered trademarks, and other protected names and/or symbols of third-party companies not related in any way to StarTech.com. Where they occur these references are for illustrative purposes only and do not represent an endorsement of a product or service by StarTech.com, or an endorsement of the product(s) to which this manual applies by the third-party company in question. StarTech.com hereby acknowledges that all trademarks, registered trademarks, service marks, and other protected names and/or symbols contained in this manual and related documents are the property of their respective holders.

Warranty Information

This product is backed by a two-year warranty. For further information on product warranty terms and conditions, please refer to www.startech.com/warranty.

Limitation of Liability

In no event shall the liability of StarTech.com Ltd. and StarTech.com USA LLP (or their officers, directors, employees or agents) for any damages (whether direct or indirect, special, punitive, incidental, consequential, or otherwise), loss of profits, loss of business, or any pecuniary loss, arising out of or related to the use of the product exceed the actual price paid for the product. Some states do not allow the exclusion or limitation of incidental or consequential damages. If such laws apply, the limitations or exclusions contained in this statement may not apply to you.

StarTech.com Ltd. 45 Artisans Cres London, Ontario N5V 5E9 Canada	StarTech.com LLP 2500 Creekside Parkwy Lockbourne, Ohio 43137 U.S.A.	StarTech.com Ltd. Unit B, Pinnacle 15 Gowerton Rd, Brackmills Northampton NN4 7BW United Kingdom	FR: fr.startech.com DE: de.startech.com ES: es.startech.com NL: nl.startech.com IT: it.startech.com JP: jp.startech.com
--	--	---	--