



DBSET DELUXE BADMINTON SET

Features:

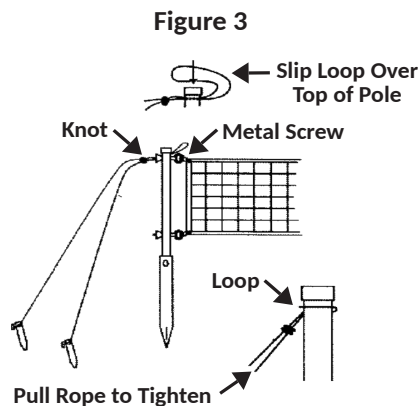
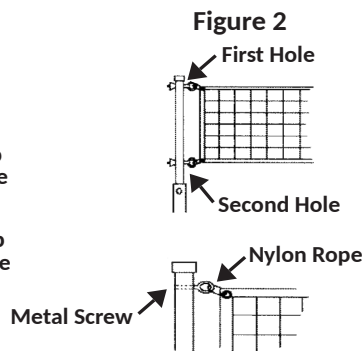
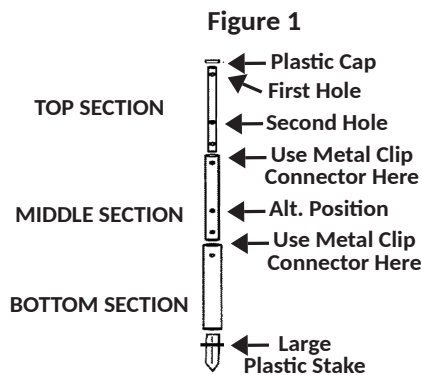
- 4 Deluxe Steel Badminton Rackets
- 20' Net
- 2 Shuttlecocks
- Reusable Black Carrying Case
- Anchors & Uprights
- Ground Stakes



Net Instructions:

The Champion Sports Badminton Set has everything you need to play a game of badminton.

1. **Pole Assembly:** Assemble poles as shown in Figure 1.
2. **Net Attachment:** Fasten the metal screws in the first and second holes in the top section. Insert nylon ropes on top and bottom corners of the net through screws hooks and secure with knots. See Figure 2.
3. **Guide Rope Attachment:** Insert loop (knotted end) of guide rope with pre-attached stakes through the hole in the top section. Pull the rope through hole and slip loop over the top of the pole. Pull rope tightly so that the loop is snug around the pole. See Figure 3.
4. **Net Set-Up:** Stretch assembled net and poles across playing area until the net is taut. Press poles firmly into the ground. Holding poles in the vertical position, stretch guide ropes out and press guide rope stakes into the ground at 45-degree angle, approximately 3' to 5' from pole and 3' to 5' apart. See Figure 4.



PARTS:

- 6 Upright Poles
- 2 Plastic Caps
- 2 Guide Ropes
- 2 Plastic Spikes
- 4 Ground Stakes
- 4 Metal Clip Connectors
- 4 Metal Screws
- 1 20' x 1.5' Net

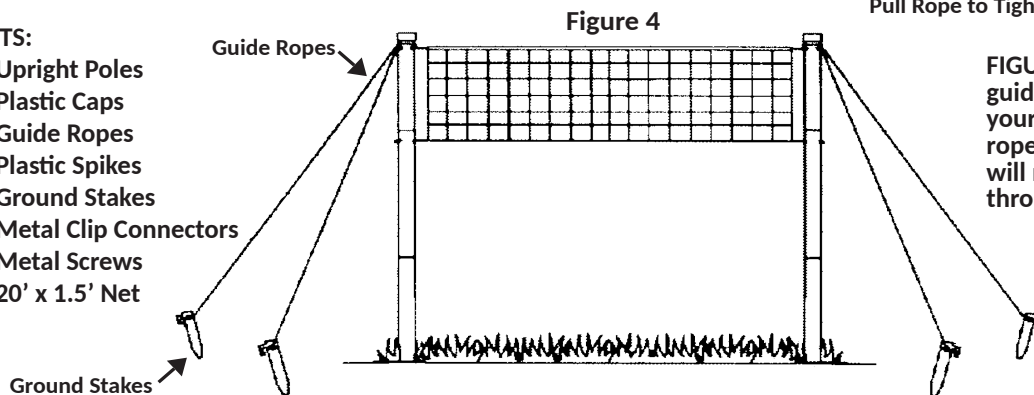


FIGURE 3 TIP: Squeeze the end of guide rope loop tightly between your fingers before inserting the rope into the hole in the pole. This will make it easier to push the rope through the holes.