

# VeriFact®-650/665

## Installation and Operating Instructions



**VeriFact®-665**  
Ceiling Mount (6.5" speaker)



**VeriFact®-665**  
Ceiling Mount (5.5" speaker)

### DESCRIPTION

Louroe Model VeriFact-650 and VeriFact-665 are ceiling mount full range speaker-microphones with fire-domes designed to provide 2-way audio (listen/talkback) with various modes of audio/video transmission systems such as:

- DVR's
- IP Network Cameras
- PC Soundcards
- Video Servers

The VeriFact-650/665 provide line level audio input and output. Both models have built in amplifiers that drive either a 5.5" speaker (VeriFact-650) or 6.5" speaker (VeriFact-665).

The gain of the microphone is factory adjusted. The gain of the audio output (speaker) can be adjusted using the potentiometer on the PCB on the rear of the unit, the adjustment should be done in small increments.

To adjust the audio output of the speaker, rotate the blue potentiometer clockwise (increase) or counterclockwise (decrease) slowly until the desired loudness is attained.

It is recommended to use the device in half duplex mode, however the unit has a built-in echo-cancellation system for when the device is configured for use in full duplex mode such that if the device recognizes that the audio output is beyond a set internal level, the incorporated microphone will be muted till the audio level falls.

The use of headphones or earphones is strongly recommended on the audio monitoring/receiving system to avoid acoustic feedback, this is essential on monitoring systems that do not have echo-cancellation functionality.

**LOUROE ELECTRONICS** 6955 VALJEAN AVENUE, VAN NUYS, CA 91406 TEL (818) 994-6498 FAX (818)994-6458  
website: [www.louroe.com](http://www.louroe.com) e-mail: [sales@louroe.com](mailto:sales@louroe.com)

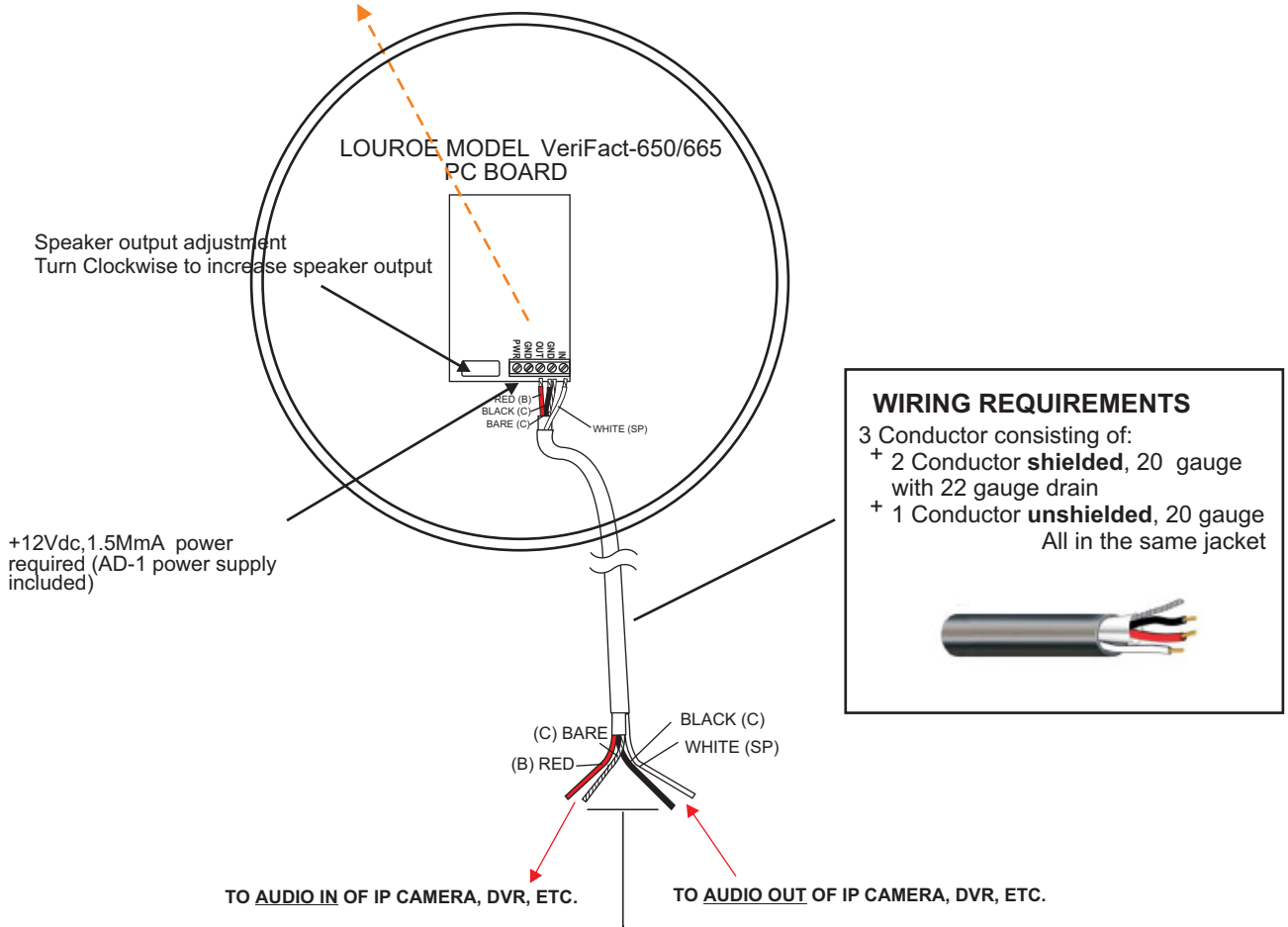
# INSTALLATION AND OPERATING INSTRUCTIONS

## INTERCONNECTION DIAGRAM

CONNECTING LOUROE™ MODEL VeriFact-650/665  
DIRECTLY TO AN IP CAMERA, DVR,  
VIDEO SERVER, ETC. USING 3-COND. SHIELDED CABLE

### 5-PIN TERMINAL BLOCK IDENTIFIER OF VeriFact-650/665

- |                  |  |
|------------------|--|
| (black)          | PWR = 12VDC  |
| (black w/stripe) | GND = Power Ground                                     |
| (red)            | OUT = Audio Output (microphone)                        |
| (bare)           | GND = Ground (audio) and Ground (speaker) (black wire) |
| (white)          | IN = Speaker in from external device                   |

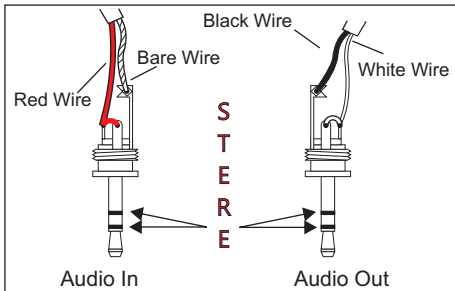


+12Vdc, 1.5mA power required (AD-1 power supply included)

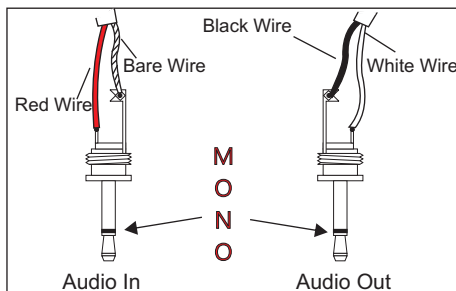
**WIRING REQUIREMENTS**

3 Conductor consisting of:  
 + 2 Conductor **shielded**, 20 gauge with 22 gauge drain  
 + 1 Conductor **unshielded**, 20 gauge  
 All in the same jacket

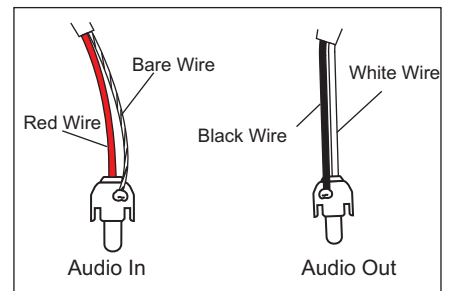
### 3.5mm STEREO CONNECTION



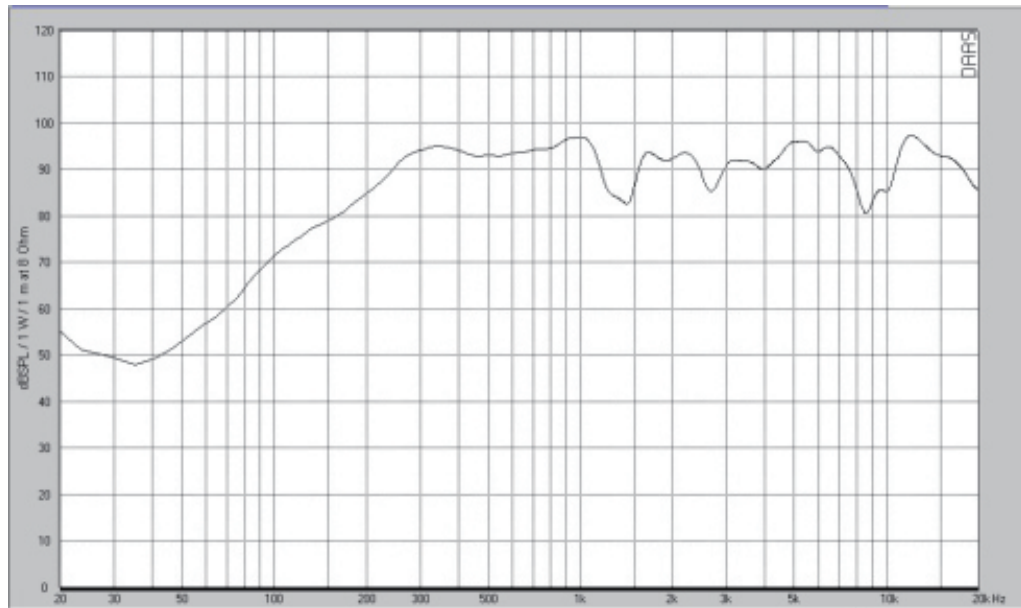
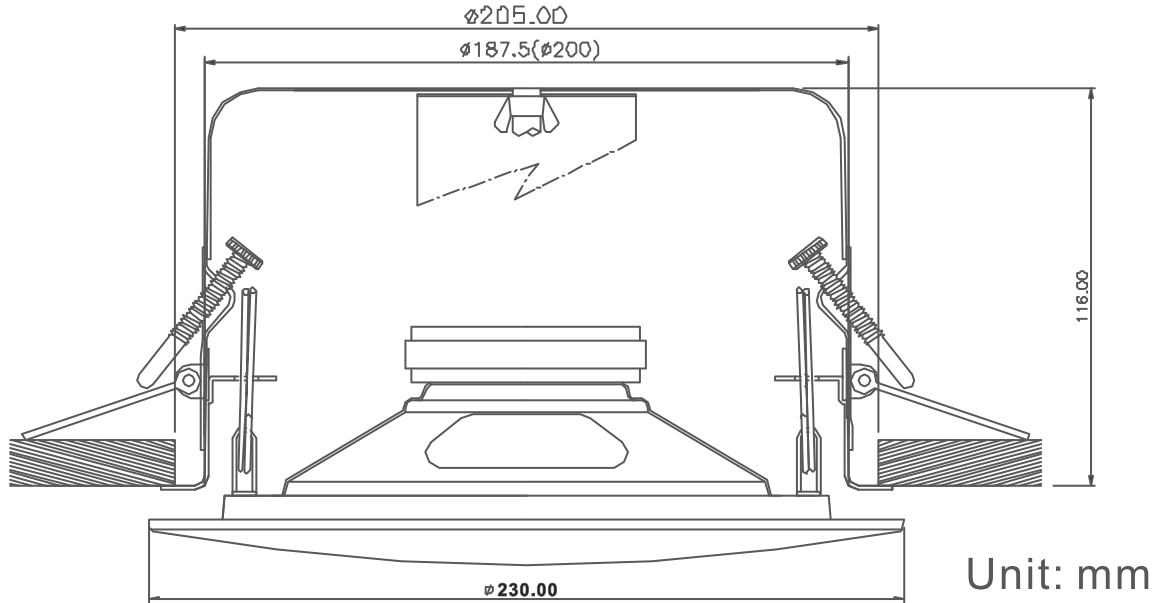
### 3.5mm MONO CONNECTION



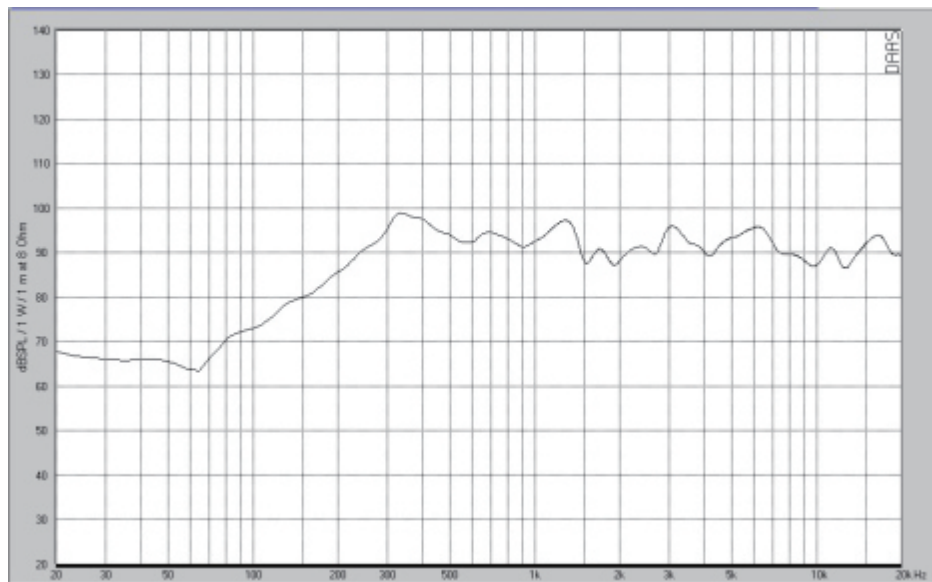
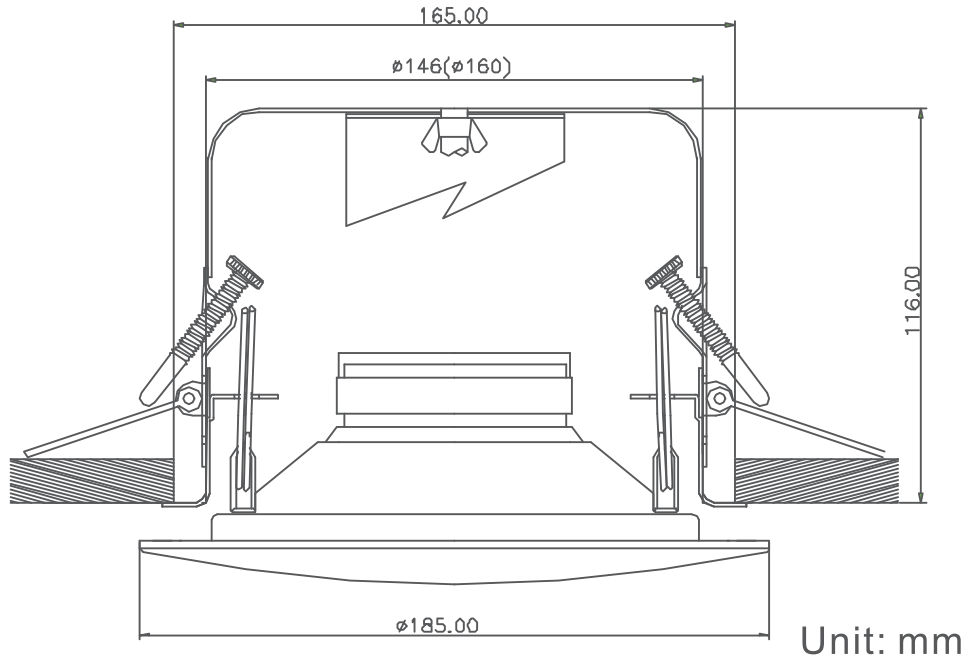
### RCA CONNECTION



Dimensions and Frequency response curve for VeriFact-665



Dimensions and Frequency response curve for VeriFact-650



## Specifications and Mechanical Dimensions

### SPECIFICATIONS (Microphone)

■ Type	Electret Condenser
■ Audio output	Line level (0 dB @ 600) unbalanced
■ Microphone element sensitivity	-45 dB
■ Frequency response	40 Hz - 15 kHz
■ Audio Input Impedance	600

### SPECIFICATIONS (Speaker VeriFact - 665)

■ Speaker power output	10W
■ Speaker impedance	2K Ohm
■ Speaker magnet	Neodymium
■ Speaker size	6.5"
■ Current Drain	1.0A
■ Supply Voltage	12 Vdc
■ Dimensions	9" Dia x 5" H
■ Weight	4 lbs
■ Shipping Weight	6 lbs

### SPECIFICATIONS (Speaker VeriFact - 650)

■ Speaker power output	6W
■ Speaker impedance	2K Ohm
■ Speaker magnet	Neodymium
■ Speaker size	5.5"
■ Current Drain	700 mA
■ Supply Voltage	12 Vdc
■ Dimensions	7.2" Dia x 5" H
■ Weight	3 lbs
■ Shipping Weight	5 lbs

**Listed product - this product must be installed with a listed LPS or Class 2 power supply.**

MANUFACTURED  
IN THE



**IMPORTANT NOTICE**

When this equipment is used as part of an audio monitoring system, the law requires that the public be given notice of AUDIO MONITORING ON THE PREMISES. A decal notice is included with each microphone shipped.



Federal Law References:  
Federal Regulations, US Code, Title 18. Crime and Criminal Procedure, Sec 2510.

**WARRANTY**

LOUROE ELECTRONICS® warrants that at the time of shipment products manufactured by LOUROE ELECTRONICS® to be free of defects in Should a defect appear within one year (24 months) from date of shipment, LOUROE ELECTRONICS® will, at its sole discretion, repair or replace the defective equipment. This equipment shall not be accepted for repair or return without prior notification by LOUROE ELECTRONICS®.

This warranty does not extend to any Louroe product that has been subjected to improper or incorrect installation, misuse, accident, or in violation of installation instructions provided by LOUROE ELECTRONICS®.

Returned shipments to LOUROE ELECTRONICS® shall be at customer's expense. LOUROE ELECTRONICS® will return the equipment prepaid via best way.