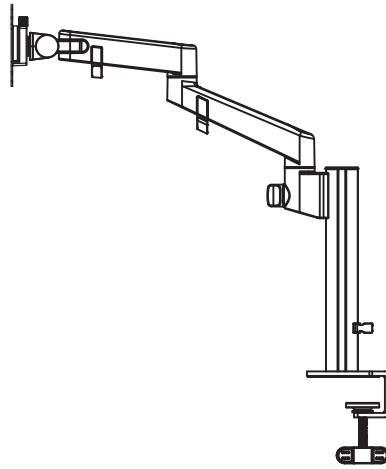




Single Arm Pole Multi-Angle Replaceable Articulating Monitor Desk Mount

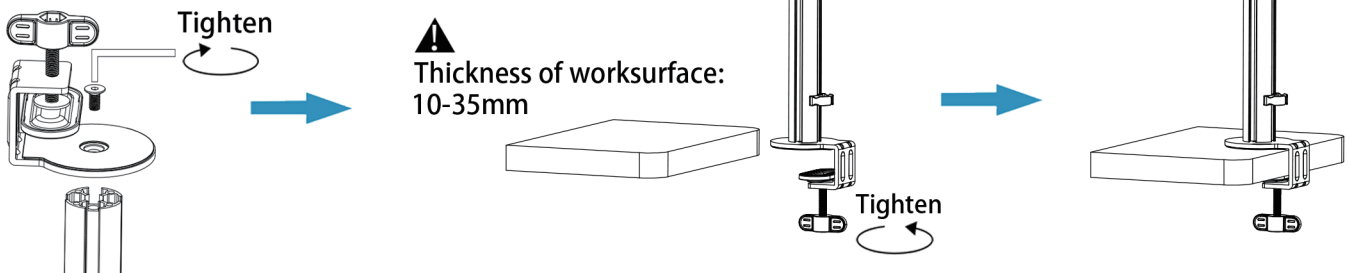
**Loading capacity:
1-8 Kg (2.2-17.6 lbs)**

Screen size: 17"- 29"

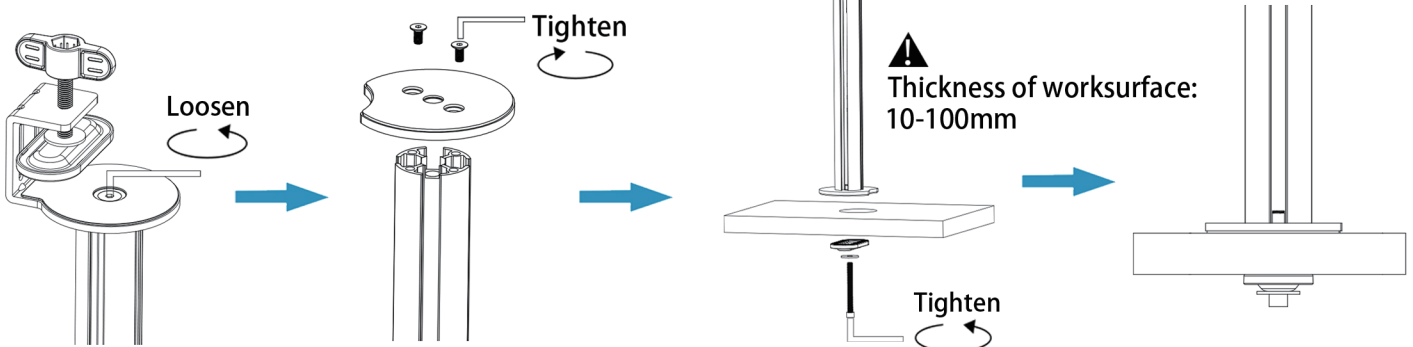


P/N: CE-MT3D11-S1
04-1325A

1 Base Installation-Clamp



2 Base Installation-Grommet

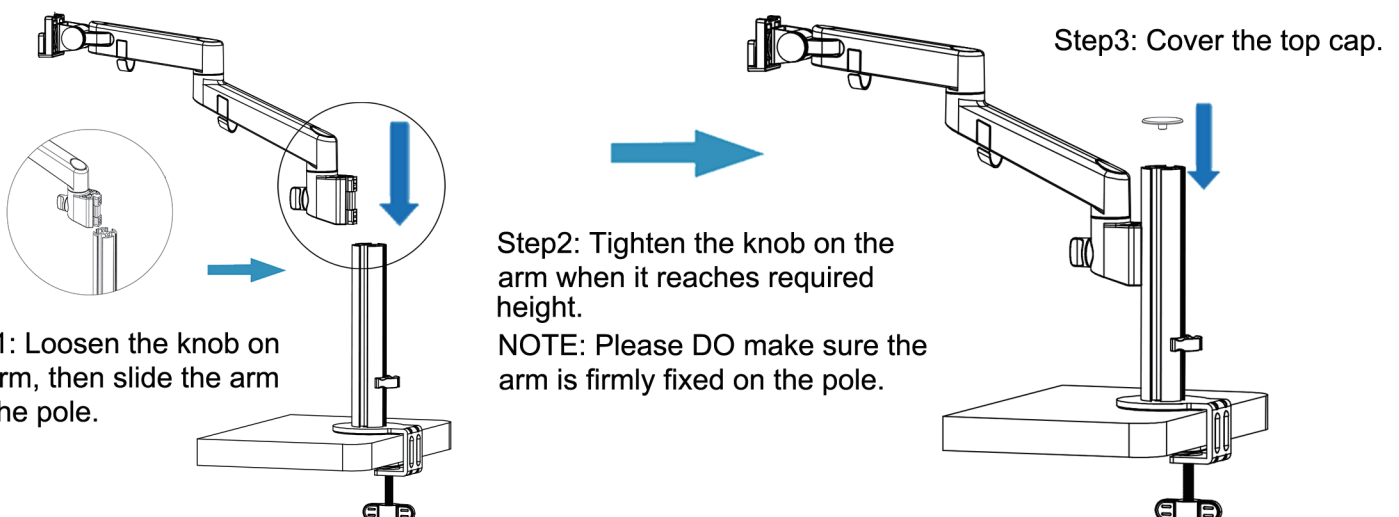


Step 1: Loosen the screw to remove clamp base.

Step 2: Connect the grommet base plate with pole.

Step 3: Tighten the long screw through desk as the illustrator presented.

3



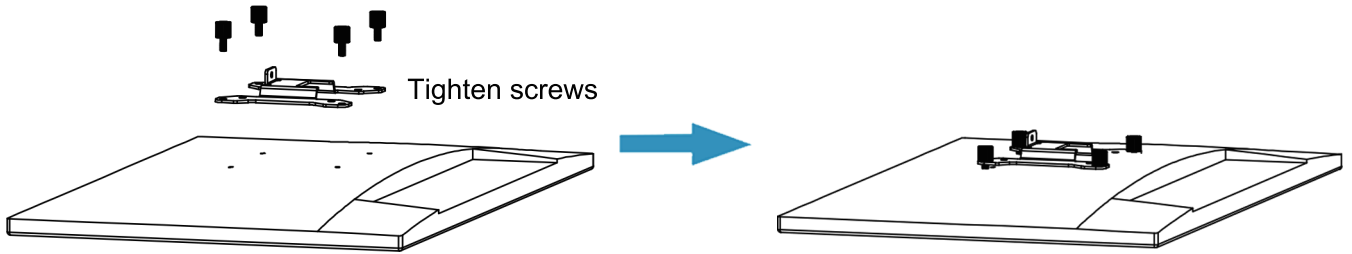
Step1: Loosen the knob on the arm, then slide the arm into the pole.

Step2: Tighten the knob on the arm when it reaches required height.

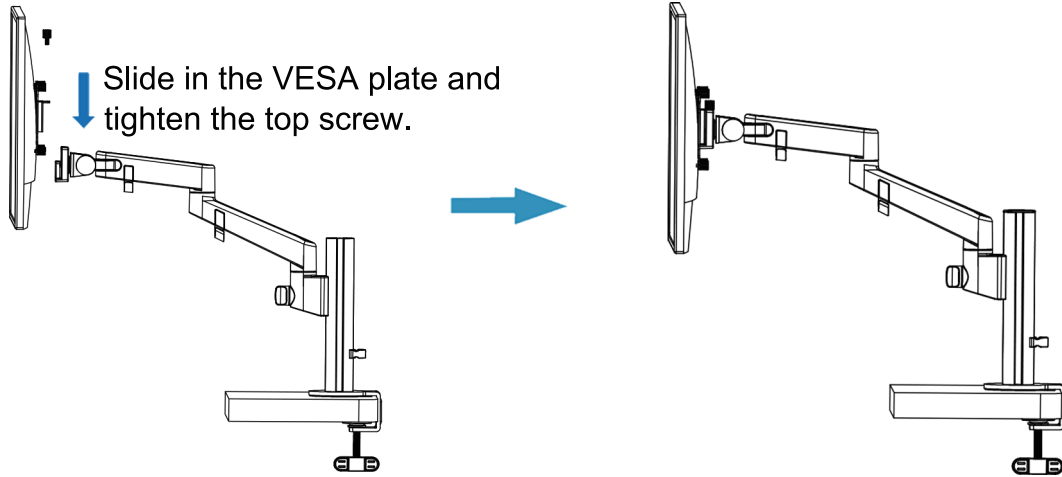
NOTE: Please DO make sure the arm is firmly fixed on the pole.

Step3: Cover the top cap.

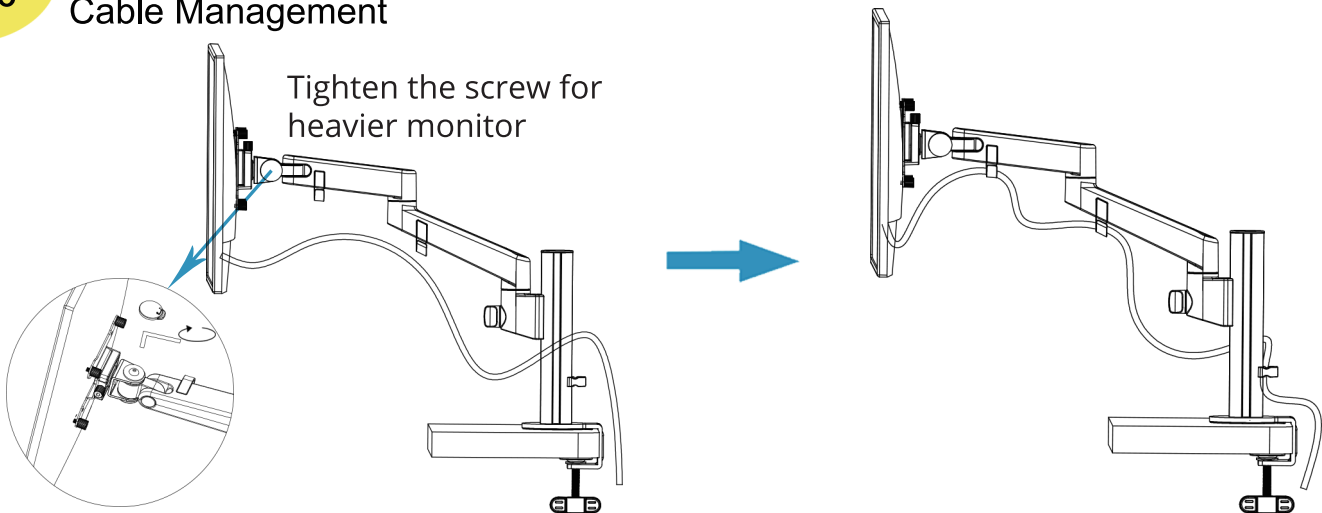
4 VESA plate installation









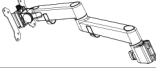






5 Monitor installation



6 Cable Management



Parts list

Item	Description	Quantity	Item	Description	Quantity
	Pole	1		Monitor Screw (M4*12)	4
	Clamp base	1		Grommet base plate	1
	Screw for clamp base	1		Spacer for grommet	1
	Arm	1		Screw for grommet plate	2
	Allen Wrench	3		Long Screw for grommet	1
	Top Cap	1		Fixing Plate for grommet	1
	Monitor Screw	4			