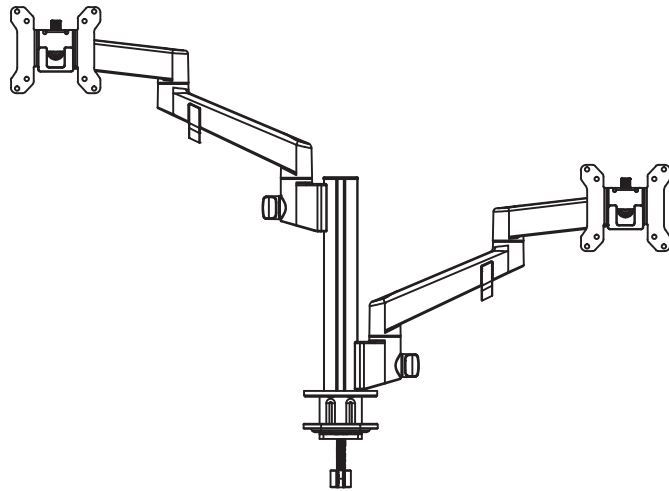




# Dual Arm Pole Multi-Angle Replaceable Articulating Monitor Desk Mount

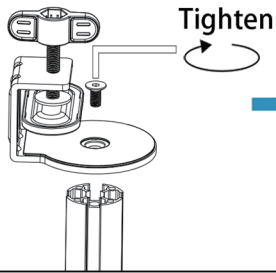
**Loading capacity:  
1-8 Kg (2.2-17.6 lbs)**

**Screen size: 17"- 29"**



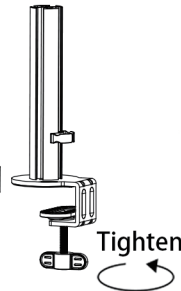
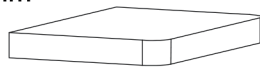
P/N: CE-MT3E11-S1  
04-1326A

## 1 Base Installation-Clamp

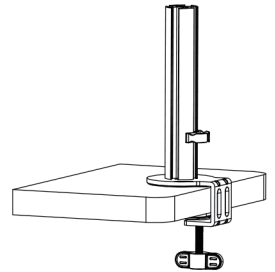


Tighten

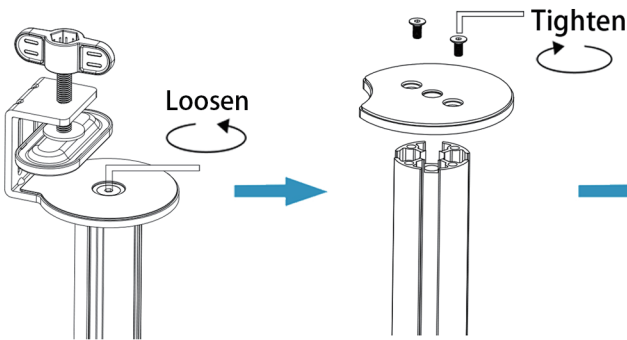
⚠ Thickness of worksurface:  
10-35mm



Tighten

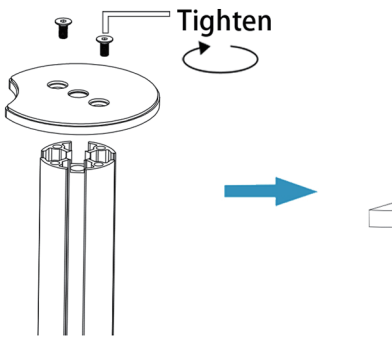


## 2 Base Installation-Grommet

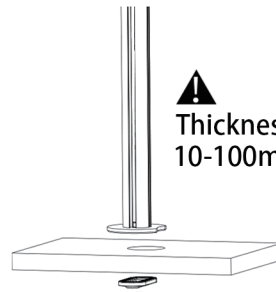


Loosen

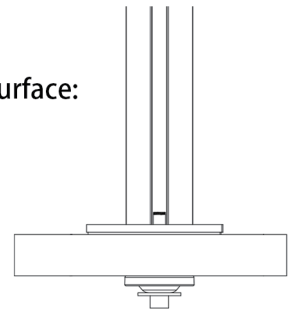
Tighten



⚠ Thickness of worksurface:  
10-100mm



Tighten

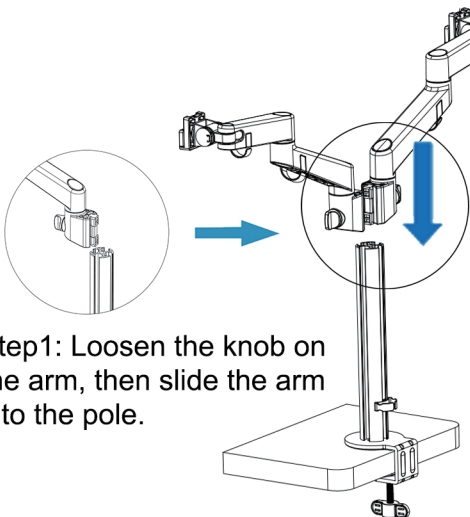


Step 1: Loosen the screw to remove clamp base.

Step 2: Connect the grommet base plate with pole.

Step 3: Tighten the long screw through desk as the illustrator presented.

## 3

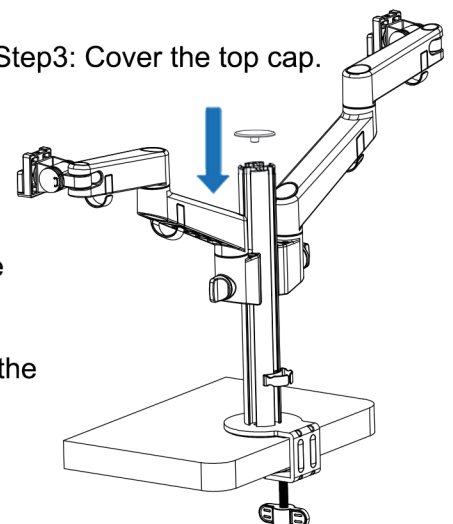


Step1: Loosen the knob on the arm, then slide the arm into the pole.

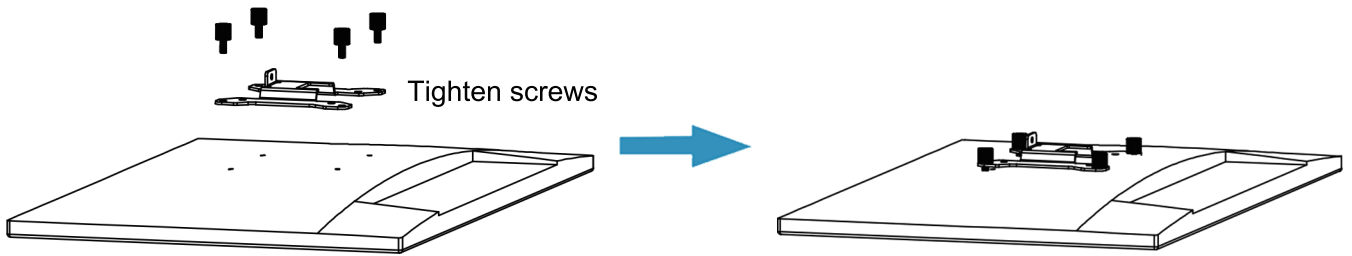
Step2: Tighten the knob on the arm when it reaches required height.

NOTE: Please DO make sure the arm is firmly fixed on the pole.

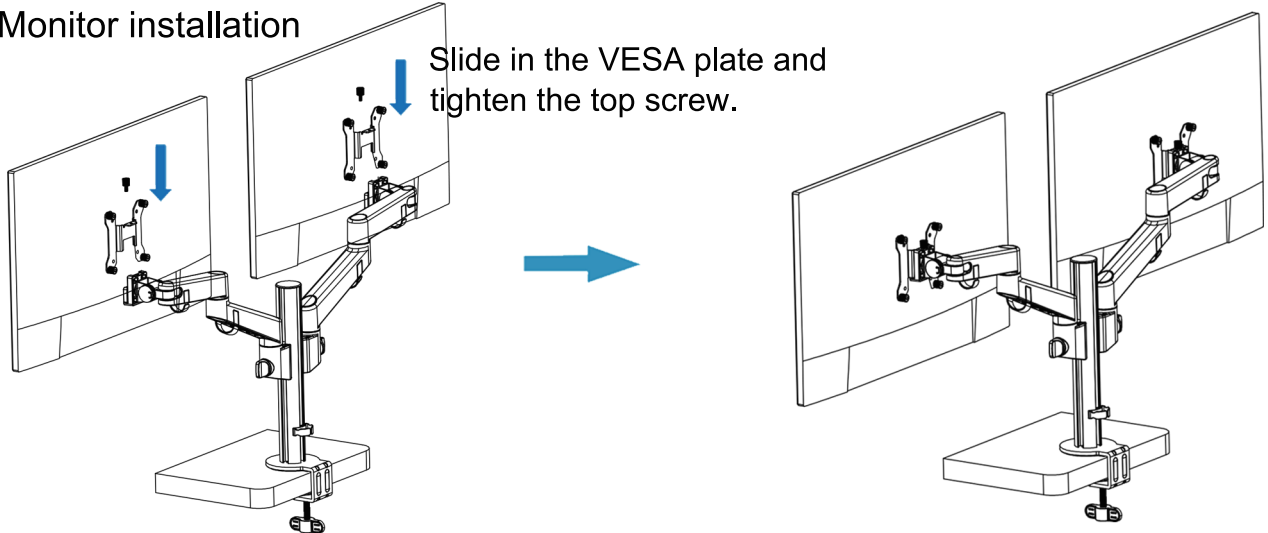
Step3: Cover the top cap.



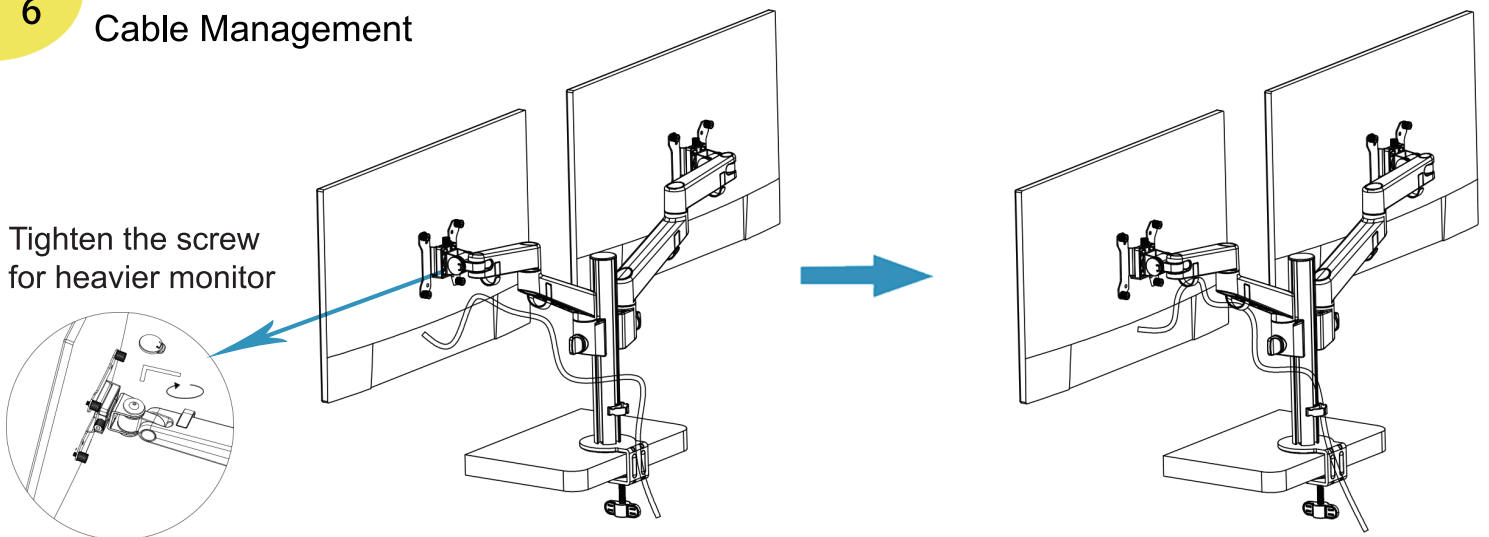
#### 4 VESA plate installation







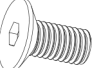

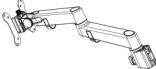
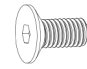





#### 5 Monitor installation



#### 6 Cable Management



### Parts list

Item	Description	Quantity	Item	Description	Quantity
	Pole	1		Monitor Screw (M4*12)	8
	Clamp base	1		Grommet base plate	1
	Screw for clamp base	1		Spacer for grommet	1
	Arm	2		Screw for grommet plate	2
	Allen Wrench	3		Long Screw for grommet	1
	Top Cap	1		Fixing Plate for grommet	1
	Monitor Screw	8			