



GETTING STARTED GUIDE

Cisco Catalyst Series 9105AXW Wireless Access Points

First Published: August 11, 2020

Last Updated: March 30, 2023

Last Updated: August 28, 2023

- 1 [About this Guide](#)
- 2 [About the Cisco Catalyst Series 9105AXW and 9105AXWT Wireless Access Points](#)
- 3 [Safety Instructions](#)
- 4 [Unpacking](#)
- 5 [AP Views, Ports, and Connectors](#)
- 6 [Preparing the AP for Installation](#)
- 7 [Installation Overview](#)
- 8 [Performing a Pre-Installation Configuration](#)
- 9 [Mounting the Access Point](#)
- 10 [Powering the Access Point](#)
- 11 [Configuring and Deploying the Access Point](#)
- 12 [Checking the Access Point LEDs](#)
- 13 [Miscellaneous Usage and Configuration Guidelines](#)
- 14 [FAQs](#)
- 15 [Related Documentation](#)
- 16 [Declarations of Conformity and Regulatory Information Communications, Services, and Additional Information](#)

1 About this Guide

This guide provides instructions on how to install your Cisco Catalyst Series 9105AXW and 9105AXWT access points and provides links to resources that can help you configure it. This guide also provides mounting instructions and troubleshooting information.

Note that the C9105AXW and C9105AXWT access points are referred to as the *access point* or the *AP* in this document.

2 About the Cisco Catalyst Series 9105AXW and 9105AXWT Wireless Access Points

The Cisco Catalyst 9105AXW and 9105AXWT series wireless access points are advanced dual-band, dual-concurrent, enterprise 802.11ax (Wi-Fi 6) APs with integrated antennas. These wall-mounted APs support 2x2:2 SS MU-MIMO applications and are designed to use both 2.4 GHz and the 5 GHz bands. The APs support full interoperability with leading 802.11ax and 802.11ac clients, along with a mixed deployment with other APs and controllers.

A full listing of the AP's features and specifications are provided in the Cisco Catalyst 9105AXW and 9105AXWT Series Access Point Data Sheet, at the following URL:

<https://www.cisco.com/c/en/us/products/collateral/wireless/catalyst-9100ax-access-points/datasheet-c78-744062.html>

The access point remains the same for both the models, the difference is in the mounting of the AP.

The Cisco Catalyst 9105AXW AP uses the wall mountable bracket (AIR-AP-BRACKET-W4) that allows the AP to be installed vertically on a wall. This model is suited for hospitality, residence halls, or other multi-dwelling units.



Note

Our goal was to reuse the existing AIR-AP-BRACKET-W3. However, a new wall bracket—AIR-AP-BRACKET-W4, was introduced based on engineering requirements. At the same time to reduce the installation impact, mounting brackets “W4” and “W3” share the same mounting holes and do not require re-drilling for W4 bracket installation.

The Cisco Catalyst 9105AXWT AP uses the cradle allowing the AP to be placed horizontally on a desk. This AP establishes a highly secured enterprise wireless and wired connection to the home, micro-branch, or other types of remote sites. This access point extends the corporate network to teleworkers, mobile workers, or micro-sites, providing experience consistent with that at the corporate office.

Cisco Catalyst Series 9105AXW and 9105AXWT Wireless Access Point Features

The C9105AXW and C9105AXWT wireless APs are wireless controller-based products and support the following features:

- Two dual-band internal antennas and one single-band internal IoT-BLE antenna in both the C9105AXW and C9105AXWT-x AP models



Note

The ‘x’ in the model numbers represents the regulatory domain. For information on supported regulatory domains, see the [“AP Model Numbers and Regulatory Domains” section on page 5](#).

- Integrated antennas that are directional in azimuth, for both 2.4 GHz (peak gain 3dBi) and 5 GHz (peak gain 5dBi) bands.
- The following hardware external interfaces:

- 1x100/1000/2500 Multigigabit Ethernet (RJ-45)
- 3x10/100/1000 BASE-T Ethernet (RJ-45)



Note One of these Ethernet ports serves as a PoE-Out port. However, this PoE-Out port does not provide any power output when the AP is powered by 802.3af power.

- RS-232 console interface through RJ-45



Note The AP may face issues while booting if you use an unterminated console cable (not plugged into any device or terminal) or a console cable that is more than one meter in length.

- Pass-through port (RJ-45)



Note The C9105AXWT does not have pass-through functionality as it is connected to the WAN port on the back of the AP using the jumper cable available in the teleworker kit. For more information, see the [Mounting the Kit C9105AXWT_COVER= to the AP](#) section.

- Passive pass-through port (RJ-45)
- Mode button (enables partial or full system configuration recovery)
- USB 2.0 Port
- One multi-color LED Status indicator. see the “[Checking the Access Point LEDs](#)” section on page 30 for information on the colors of the LED status indicator.
- Simultaneous 2x2 Multiple-Input Multiple-Output (MIMO) with 2 spatial streams for both 2.4 GHz and 5 GHz bands.
- Multiuser (MU) MIMO technology with 2 spatial streams for downlink.
- MIMO equalization capabilities, which optimize uplink performance and reliability by reducing the impact of signal fade.
- Orthogonal Frequency Division Multiple Access (OFDMA)-based scheduling for both uplink and downlink.
- Spatial Reuse (also known as Basic Service Set (BSS) coloring) which allows APs and their clients to differentiate between BSSs, thus permitting more simultaneous transmissions.
- New power savings mode called Target Wake Time (TWT) which allows the client to stay asleep and wake up only at pre-scheduled (target) times to exchange data with the AP. This provides significant energy savings for battery-operated devices.
- Cisco Digital Network Architecture (DNA) support enables Cisco DNA Spaces, Apple FastLane and Cisco Identity Services Engine.
- Cross-AP Noise Reduction, a Cisco innovation that enables APs to intelligently collaborate in real time about RF conditions so that users connect with optimized signal quality and performance.
- Optimized AP Roaming for ensuring that client devices associate with the AP in their coverage range that offers the fastest data rate available.
- Cisco CleanAir delivers proactive, high-speed spectrum intelligence across 20-, 40-, and 80-MHz-wide channels to combat performance problems arising from wireless interference.

This AP supports both lightweight deployments (using Cisco Wireless Controllers) and Cisco Embedded Wireless Controller deployments. The AP can operate in the following modes:

- **Local:** This is the default mode for the Cisco AP. In this mode, the AP serves clients. In local mode, the AP creates two CAPWAP tunnels to the Cisco WLC, one for management and the other for data traffic. This is known as central switching because the data traffic is switched (bridged) from the AP to the controller where it is then routed.
- **FlexConnect:** In FlexConnect mode (previously known as HREAP), the data traffic is switched locally and is not sent to the controller. In this mode, the Cisco AP behaves like an autonomous AP, but is managed by the Cisco WLC. Here, the AP continues to function even if connection to the controller is lost.
- **Monitor:** In the monitor mode, specified Cisco APs can exclude themselves from handling data traffic between clients and the infrastructure. These APs act as dedicated sensors for location based services (LBS), rogue AP detection, and intrusion detection (IDS).
When APs are in monitor mode, they actively monitor the airwaves and typically do not serve clients.
- **Sniffer:** In the wireless sniffer mode, the AP starts sniffing the air on a given channel. It captures and forwards all the packets from the clients on that channel to a remote machine that runs Airopeek or Wireshark (packet analyzers for IEEE 802.11 wireless LANs). This includes information on the time stamp, signal strength, packet size, etc.



Note In the sniffer mode, the server to which the data is sent should be on the same VLAN as the wireless controller management VLAN otherwise an error will be displayed.

- **OEAP:** This is the office extend mode for the Cisco AP.

AP Model Numbers and Regulatory Domains

AP Type	Model Number	Details
Access point (wall-plate) for indoor environments, with internal antennas	C9105AXW-x	Dual-band, controller-based 802.11ax
	C9105AXW-EWC-x	C9105AXW-x with a Cisco Embedded Wireless Controller software image
Access point (Teleworker) for indoor environments, with internal antennas	C9105AXWT-x	Dual-band, teleworker, controller-based 802.11ax

Difference between the models

You need to verify whether the AP model you have is approved for use in your country. The x in the model number is a placeholder for the regulatory domain. To verify approval and to identify the regulatory domain that corresponds to a particular country, visit <http://www.cisco.com/go/aironet/compliance>. Not all regulatory domains have been approved. As and when they are approved, this compliance list will be updated.

Antennas and Radios

The C9105AXW and C9105AXWT AP models have two internal dual-band antennas with a dedicated 2.4 GHz radio and a 5 GHz radio, and one internal single-band antenna with a dedicated 2.4 GHz IOT radio that supports a BLE device.

The AP can be vertically mounted on a wall or on a standard junction box. Physical security is offered with the included Torx screw and the option to add a Kensington lock.

Access Point Antenna Radiation Patterns

Figure 1 C9105AXW and C9105AXWT — Dual-band Antenna (2.4 GHz) — Azimuth

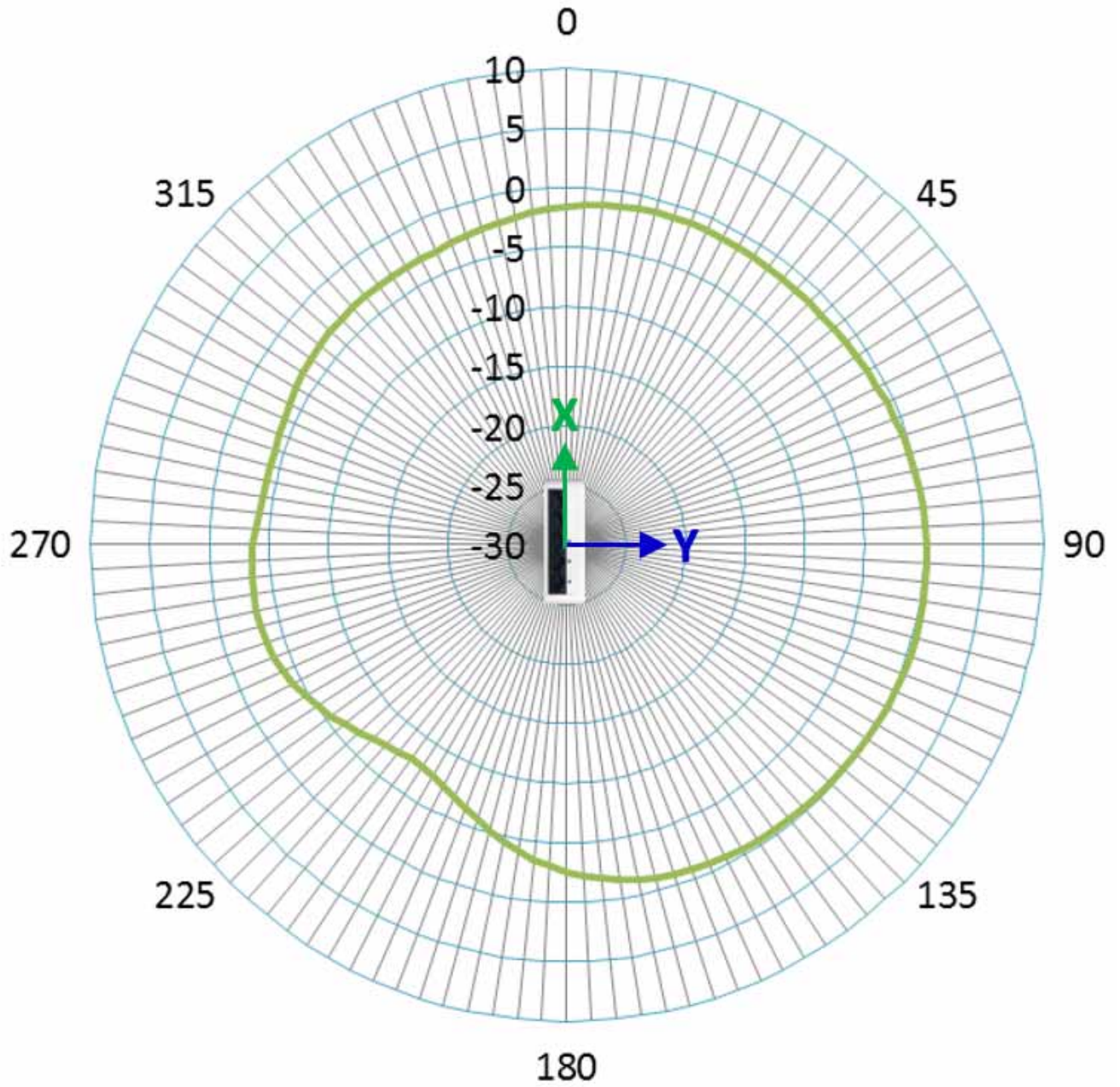


Figure 2 C9105AXW and C9105AXWT — Dual-band Antenna (2.4 GHz) — Elevation

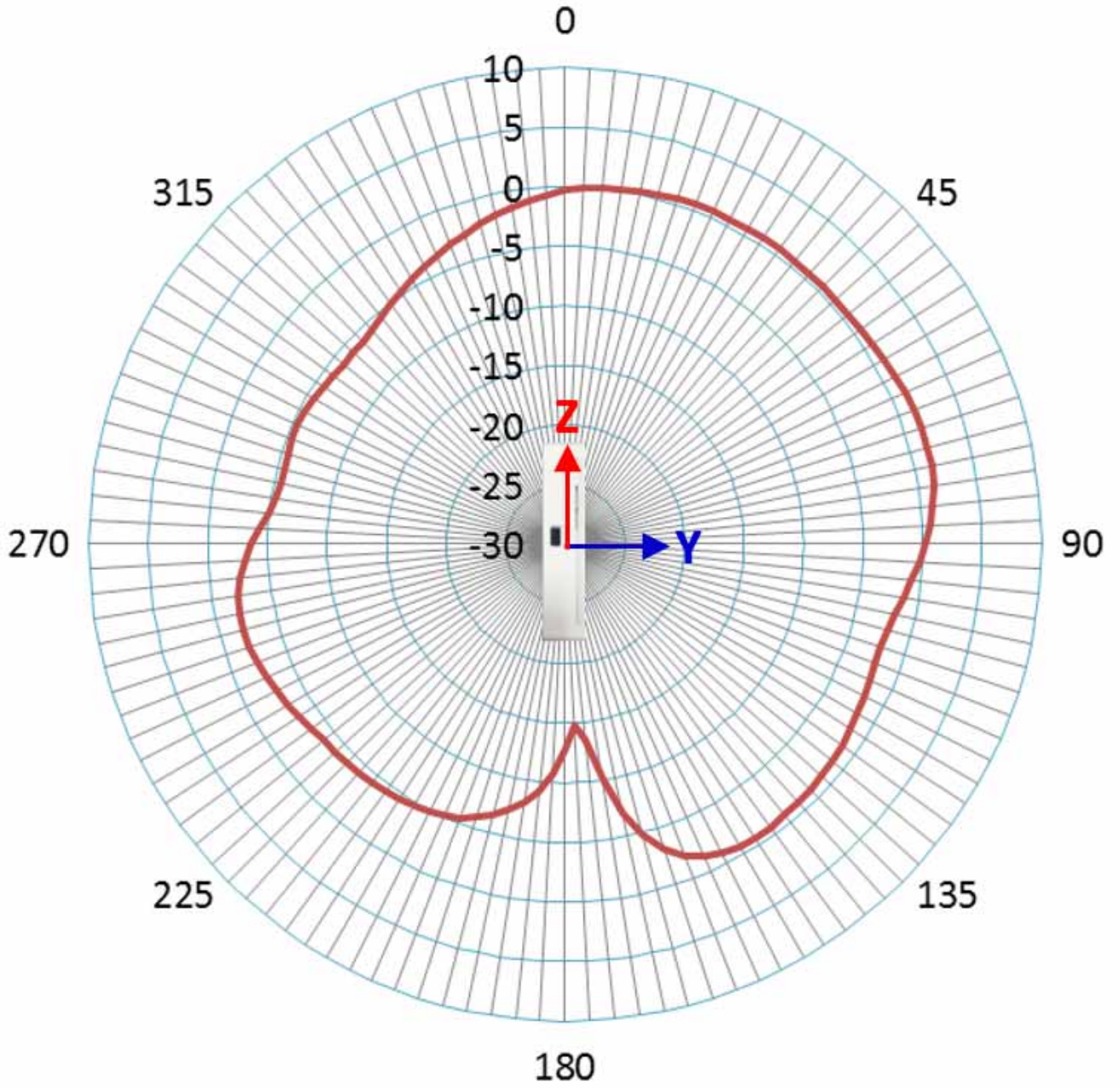


Figure 3 C9105AXW and C9105AXWT — Dual-band Antenna (5 GHz) — Azimuth

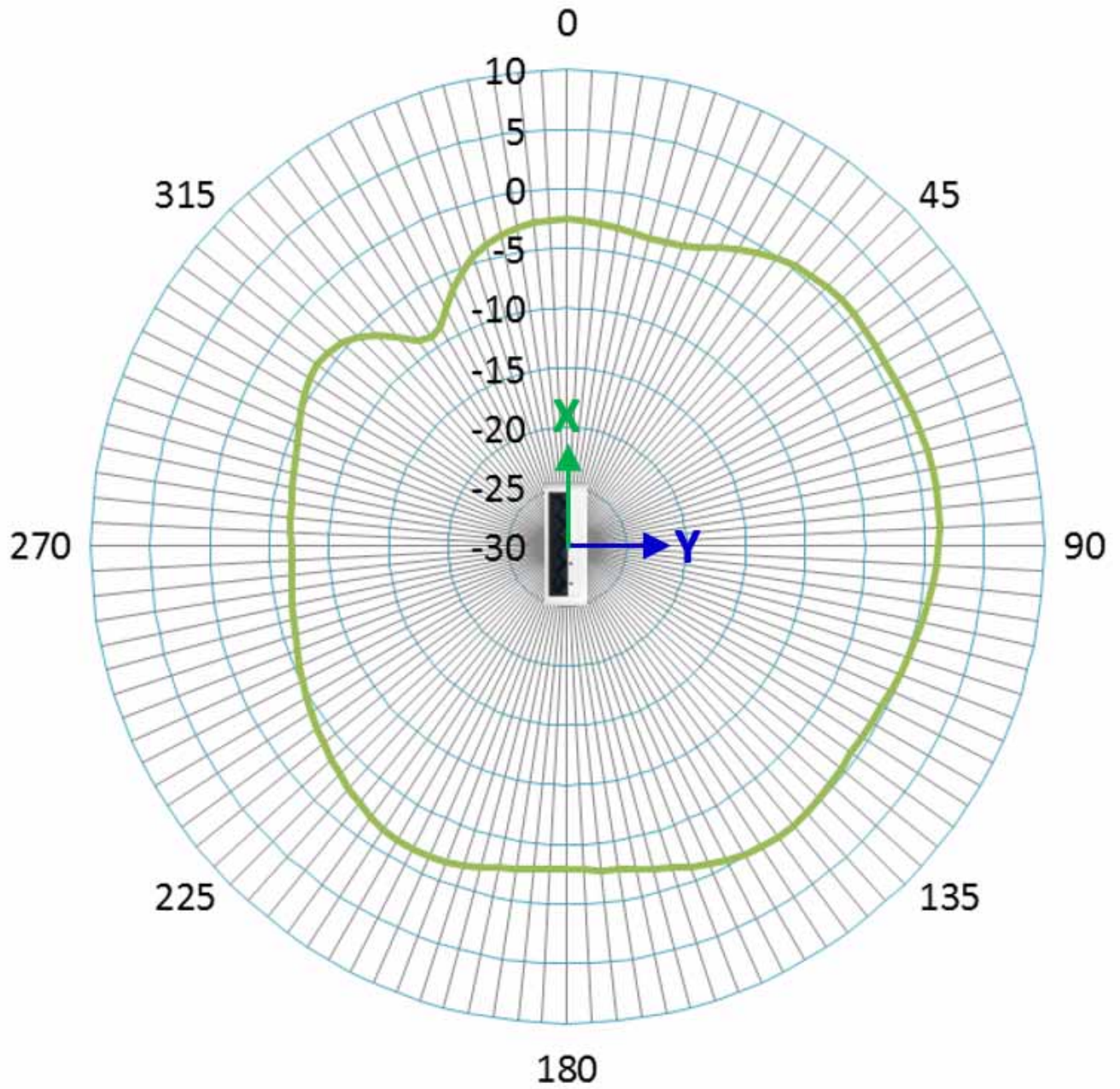


Figure 4 C9105AXW and C9105AXWT — Dual-band Antenna (5 GHz) — Elevation

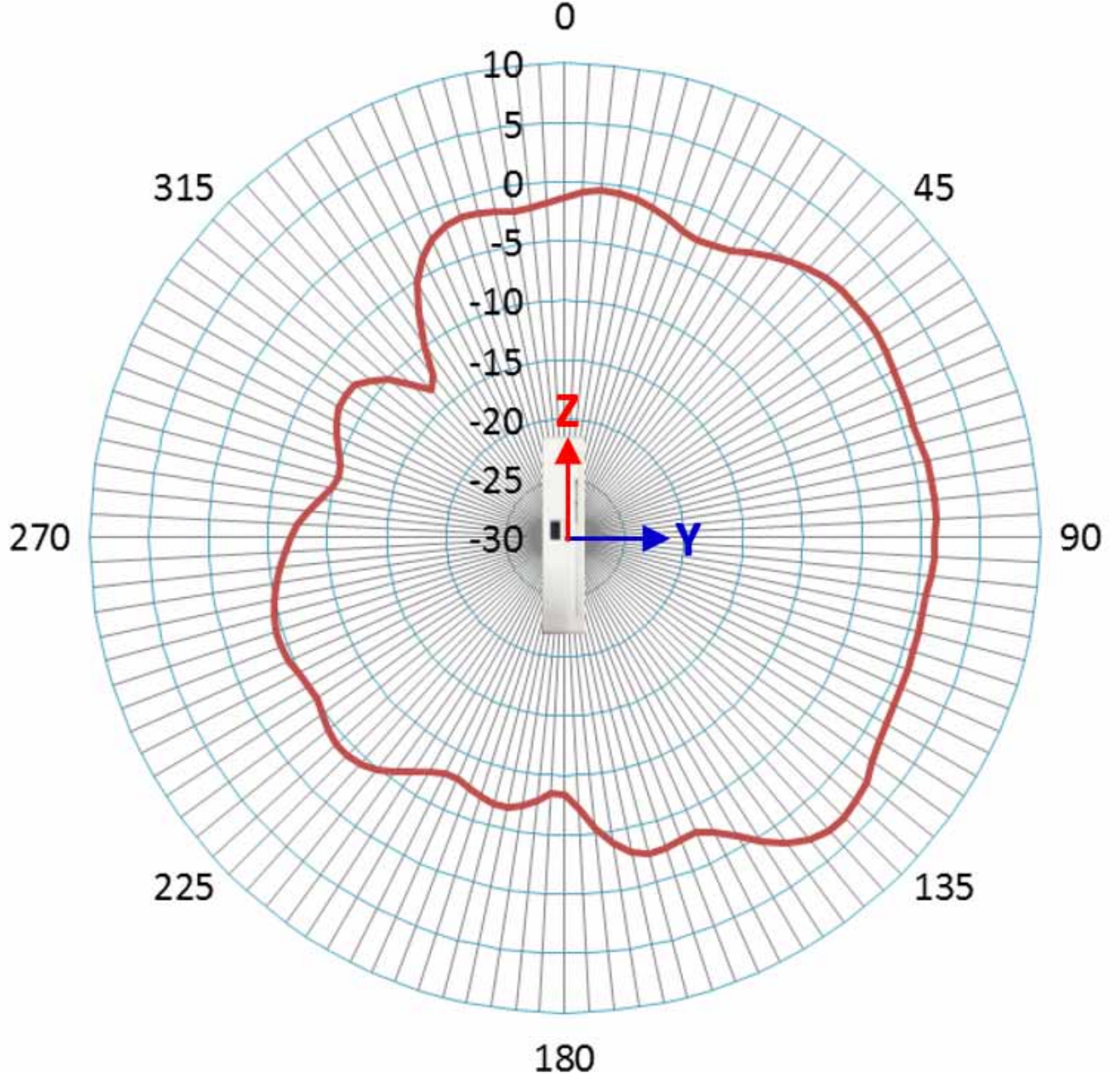


Figure 5 C9105AXW and C9105AXWT — BLE Antenna — Azimuth

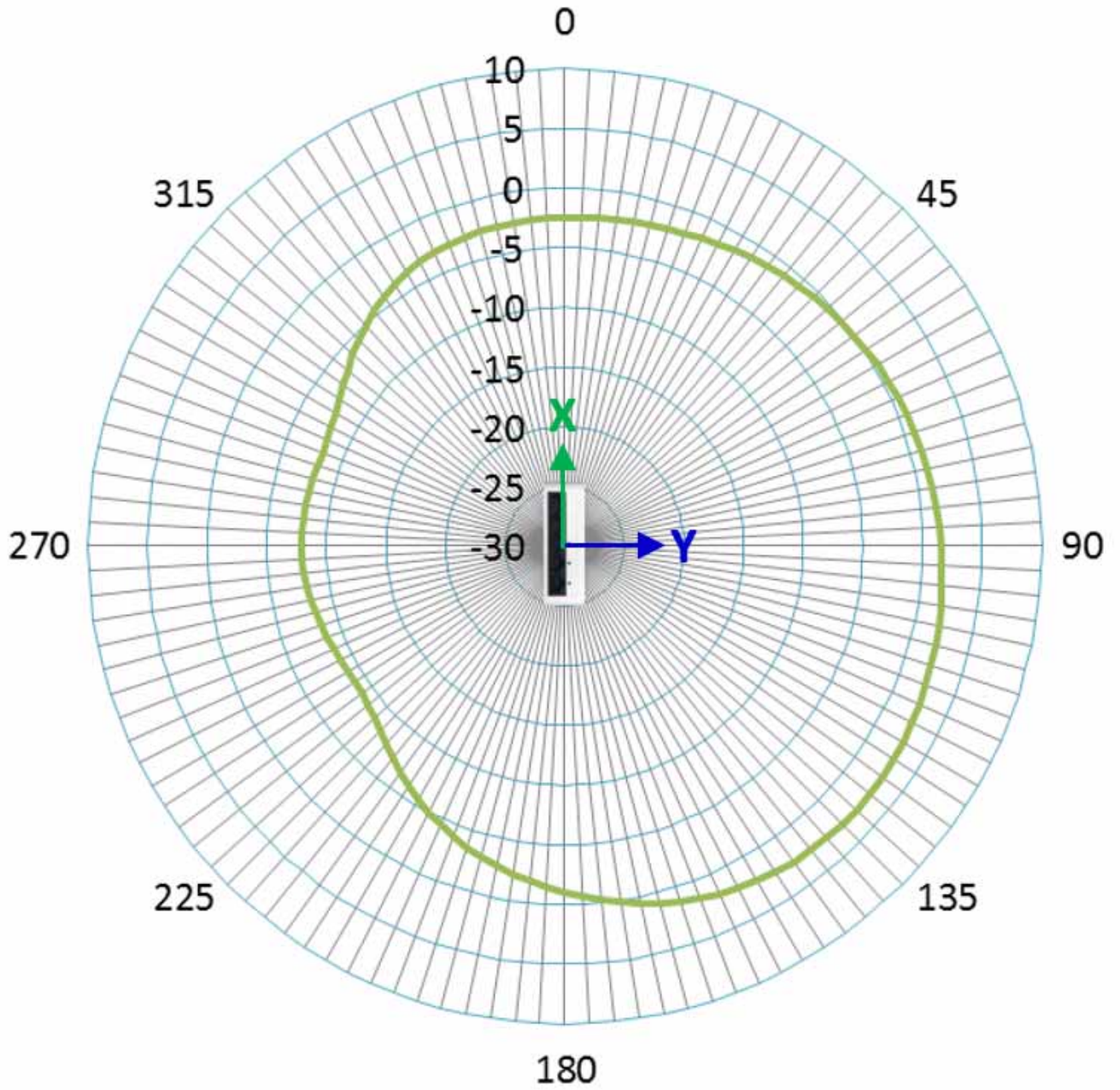
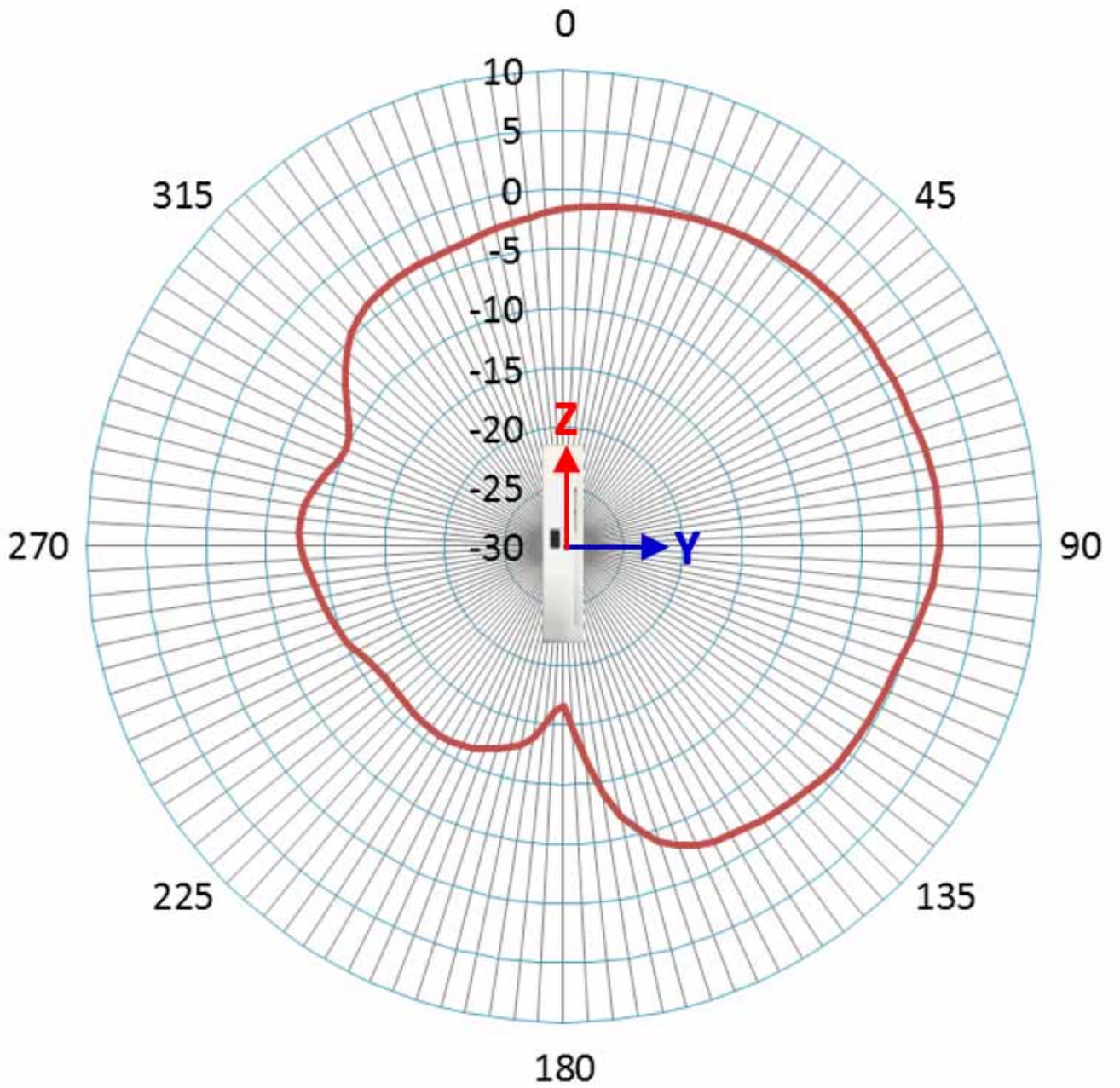


Figure 6 C9105AXW and C9105AXWT — BLE Antenna — Elevation



3 Safety Instructions

Translated versions of the following safety warnings are provided in the translated safety warnings document that is shipped with your access point.



IMPORTANT SAFETY INSTRUCTIONS

This warning symbol means danger. You are in a situation that could cause bodily injury. Before you work on any equipment, be aware of the hazards involved with electrical circuitry and be familiar with standard practices for preventing accidents. Use the statement number provided at the end of each warning to locate its translation in the translated safety warnings that accompanied this device.

SAVE THESE INSTRUCTIONS Statement 1071



Read the installation instructions before using, installing or connecting the system to the power source. Statement 1004



This product relies on the building's installation for short-circuit (overcurrent) protection. Ensure that the protective device is rated not greater than 20A. Statement 1005



Installation of the equipment must comply with local and national electrical codes. Statement 1074



In order to comply with FCC radio frequency (RF) exposure limits, antennas should be located at a minimum of 7.87 inches (20 cm) or more from the body of all persons. Statement 332



Ultimate disposal of this product should be handled according to all national laws and regulations. Statement 1040



Ultimate disposal of this product should be handled according to all national laws and regulations. Statement 1047



This equipment is suitable for use in environment air spaces (plenums) in accordance with Section 300.22 (C) of the National Electrical Code, and Sections 2-128, 12-010(3) and 12-100 of the Canadian Electrical Code, Part 1, CSA C22.2. External power supply, power adapter and/or power injector, if provided, are not suitable for installation in air spaces. Statement 440

4 Unpacking

To unpack the access point, follow these steps:

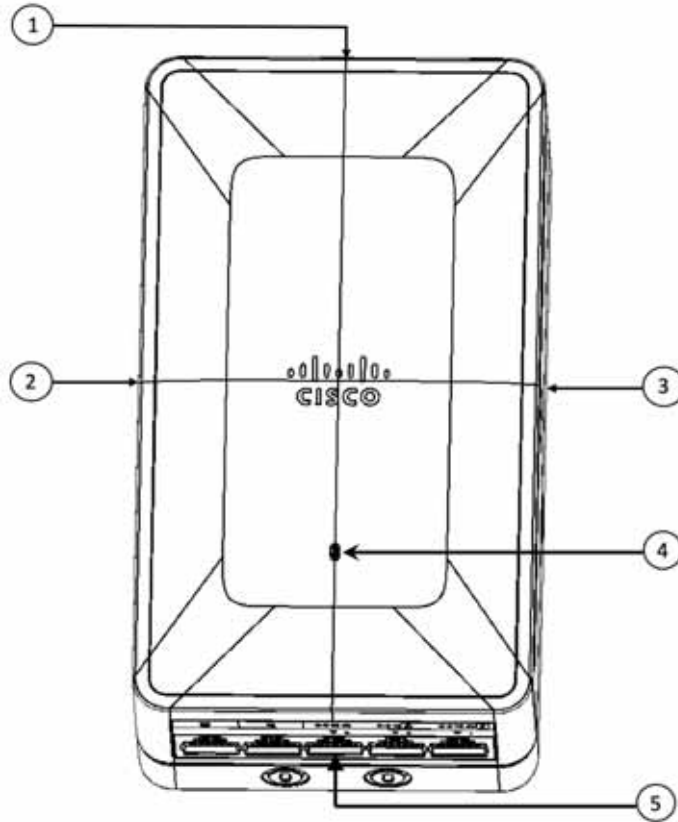
-
- Step 1** Unpack and remove the access point and the accessory kit from the shipping box.
- Step 2** Return any packing material to the shipping container and save it for future use.
- Step 3** Verify that you have received the items listed below. If any item is missing or damaged, contact your Cisco representative or reseller for instructions.
- The access point
 - Torx security screw and mylar label to cover the screw.
-

The following accessories can be ordered separately from Cisco:

- Mid-span power injector (AIR-PWRINJ6=) when PoE is not available
- For the C9105AXWT-x, the teleworker cradle kit (C9105AXWT-COVER=) which includes one back cover (with four rubber feet), one Ethernet cable, and one RJ-45 jumper cable

5 AP Views, Ports, and Connectors

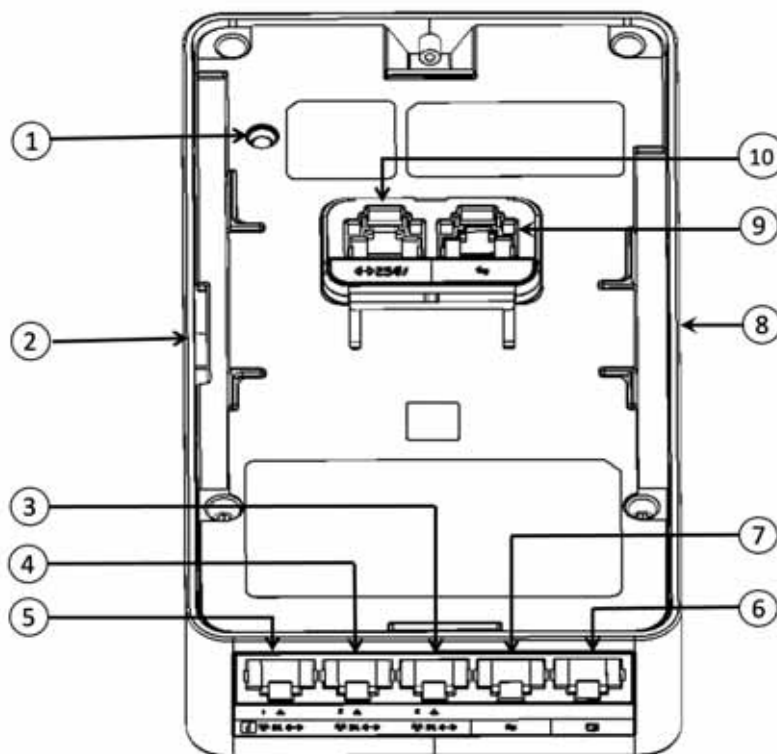
Figure 7 Face of the 9105AXW and C9105AXWT Models



1	Security screw hole location under a mylar cover The security screw locks the AP to its mounting bracket (AIR-AP-BRACKET-4).
2	USB 2.0 port
3	Location of the Kensington lock slot
4	Status LED ¹
5	Location of the ports and connectors, on the base of the AP

1. For more information on the status LED, see [“Checking the Access Point LEDs”](#) section on page 30.

Figure 8 Ports and Connectors on the 9105AXW and C9105AXWT Models



1	Mode button ¹	6	RJ-45 console port
2	Location of the Kensington lock slot	7	Pass-through port ²
3	1GbE port (LAN port 3)	8	USB 2.0 port
4	1GbE port (LAN port 2)	9	Passive pass-through (RJ-45) port from the back of the AP to the base of the AP. ³
5	PSE (LAN port 1) This port provides 802.3af Power Sourcing Equipment (PSE) PoE-Out power on the LAN 1 Ethernet interface, when powered by 802.3at power.	10	2.5GbE mGig uplink port ⁴ which supports the following: <ul style="list-style-type: none"> • Inline power capability • 10/100/1000/2500 mGig capability • Auto-MDIX (automatically supports either straight-through or crossover cables) • 802.3af/at power over Ethernet interface.

1. For more information on how to use the Mode button, see [“Using the Mode Button” section on page 32](#).
2. The pass-through port on the C9105AXWT functions like an mGig uplink port. This behavior is observed since the passive pass-through port is connected to the uplink port on the back of the AP through the RJ-45 jumper cable available in the teleworker kit. For more information on this behavior change in the C9105AXWT, see the [Mounting the Kit C9105AXWT_COVER= to the AP](#) section.
3. See 2.
4. See 2.



When the AP is in RLAN mode, it supports up to four wired clients on the LAN ports.

6 Preparing the AP for Installation

Before you mount and deploy your access point, we recommend that you perform a site survey (or use the site planning tool) to determine the best location to install your access point.

You should have the following information about your wireless network available:

- Access point locations.
- Access point mounting options: below a suspended ceiling, on a flat horizontal surface, or on a desk top.



Note You can mount the access point above a suspended ceiling but you must purchase additional mounting hardware: See [“Mounting the Access Point” section on page 19](#) for additional information.

- Access point power options: 802.3at (PoE+) (Cisco Power Injector AIR-PWRINJ6=), 802.3af (Cisco Power Injector AIR-PWRINJ5=), Cisco Universal PoE (Cisco UPOE), or hub (usually located in a wiring closet).



Note

- Access points mounted in a building environmental airspace must be powered using PoE to comply with safety regulations.
- If 802.3af is used, the USB port and LAN PSE1 port will be off.

- Operating temperature: 32°–122° F (0°–50° C)



Note When installing the AP in an environment where the ambient temperature is in the range of 104°–122° F (>40°–50° C), the access point configuration will change from 8x8 to 4x4 on the 5 GHz radios and the uplink Ethernet will downgrade to 1GbE. However, the USB port will remain enabled.

Cisco recommends that you make a site map showing access point locations so that you can record the device MAC addresses from each location and return them to the person who is planning or managing your wireless network.

7 Installation Overview

Installing the access point involves these operations:

-
- Step 1 [Performing a Pre-Installation Configuration, page 17](#) (optional)
 - Step 2 [Mounting the Access Point, page 19](#)
 - Step 3 [Powering the Access Point, page 29](#)
 - Step 4 [Preparing the AP for Installation, page 16](#)
-

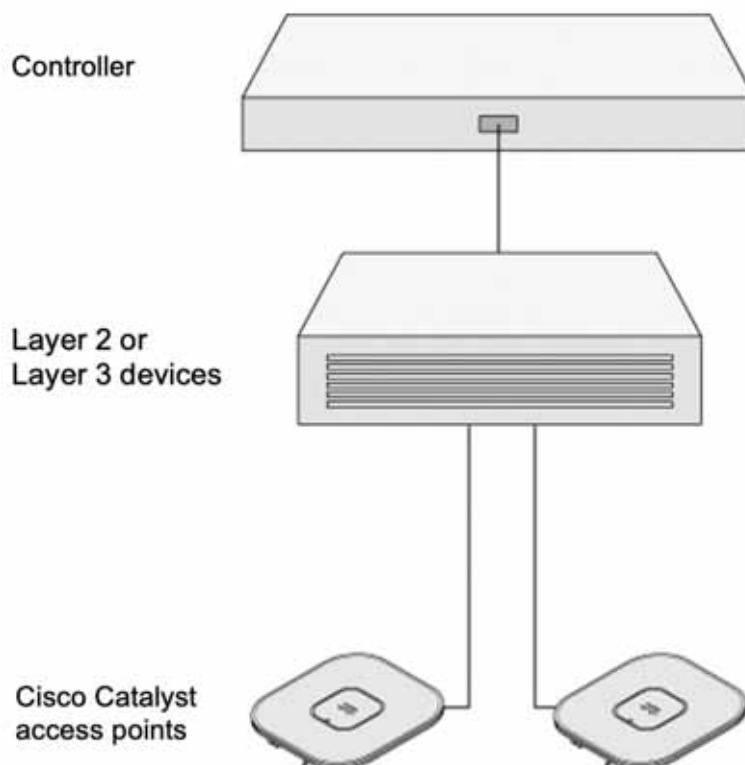
8 Performing a Pre-Installation Configuration



Note Performing a pre-installation configuration is an optional procedure. However, performing this procedure ensures that your access point installation and initial operation go as expected. If your network controller is properly configured, you can install your access point in its final location and connect it to the network from there. See the “[Deploying the Access Point on the Wireless Network](#)” section on [page 30](#) for details.

The pre-installation configuration setup is illustrated in [Figure 9](#).

Figure 9 Pre-Installation Configuration Setup



For pre-installation configuration, perform the following steps:

- Step 1** Make sure that the Cisco Wireless Controller DS port is connected to the network. Use the procedure for CLI or web-browser interface as described in the appropriate Cisco Wireless Controller guide.
- Make sure that access points have Layer 3 connectivity to the Cisco Wireless Controller Management and AP-Manager Interface.
 - Configure the switch to which your access point is to attach. See the *Cisco Wireless Controller Configuration Guide* for the release you are using, for additional information.
 - Set the Cisco Wireless Controller as the primary so that new access points always join with it.

- d. Make sure DHCP is enabled on the network. The access point must receive its IP address through DHCP.

**Note**

An 802.11ax Cisco AP will be assigned an IP address from the DHCP server only if a default router (gateway) is configured on the DHCP server (enabling the AP to receive its gateway IP address) and the gateway ARP is resolved.

- e. CAPWAP UDP ports must not be blocked in the network.
- f. The access point must be able to find the IP address of the controller. This can be accomplished using DHCP, DNS, or IP subnet broadcast. This guide describes the DHCP method to convey the controller IP address. For other methods, refer to the product documentation. See also the [“Configuring DHCP Option 43” section on page 33](#) for more information.

**Note**

The access point requires a gigabit Ethernet (GbE) link to prevent the Ethernet port from becoming a bottleneck for traffic because wireless traffic speeds exceed transmit speeds of a 10/100 Ethernet port.

Step 2 Apply power to the access point. See [Powering the Access Point, page 29](#).

- a. As the access point attempts to connect to the controller, the status LED alternates between red and green. This can take up to 5 minutes.

**Note**

If the access point remains in this mode for more than five minutes, it indicates that the access point is unable to find the primary Cisco Wireless Controller. Check the connection between the access point and the Cisco Wireless Controller and be sure that they are on the same subnet.

- b. If the access point shuts down, check the power source.
- c. After the access point finds the Cisco Wireless Controller, it attempts to download the new operating system code if the access point code version differs from the Cisco Wireless Controller code version. While this is happening, the Status LED blinks blue.
- d. If the operating system download is successful, the access point reboots.

Step 3 Configure the access point if required. Use the controller CLI, controller GUI, or Cisco Prime Infrastructure to customize the access-point-specific 802.11ax network settings.

Step 4 If the pre-installation configuration is successful, the Status LED is green indicating normal operation. Disconnect the access point and mount it at the location at which you intend to deploy it on the wireless network.

Step 5 If your AP does not indicate normal operation, turn it off and repeat the pre-installation configuration.

**Note**

When you are installing a Layer 3 access point on a different subnet than the Cisco Wireless Controller, be sure that a DHCP server is reachable from the subnet on which you will be installing the access point, and that the subnet has a route back to the Cisco Wireless Controller. Also be sure that the route back to the Cisco Wireless Controller has destination UDP ports 5246 and 5247 open for CAPWAP communications. Ensure that the route back to the primary, secondary, and tertiary controller allows IP packet fragments. Finally, be sure that if address translation is used, that the access point and the Cisco Wireless Controller have a static 1-to-1 NAT to an outside address. (Port Address Translation is not supported.)

9 Mounting the Access Point

Cisco Catalyst 9105AXW series access points can be mounted directly on a wall or on an electrical or network box, to numerous global wall junction standards.

Access Point Mounting Options

Type of Mounting	Mounting Bracket and Kit
Mounting the AP directly on a Wall, page 19	AIR-AP-BRACKET-W4 ^{1 2}
Mounting the AP on an Electrical Junction Box, page 20	
Mounting the AP on a Wall using the Spacer, page 22	AIR-AP-BRACKET-W4 ⁶
Mounting the AP on an Electrical Junction Box using the Spacer, page 26	C9105AXW-KIT spacer kit.

1. The Cisco Catalyst 9105AXW AP uses AIR-AP-BRACKET-W4 only for wall mounting. If replacing previous generation wallplate AP, the "-W3" bracket should not be used. Mounting brackets "-W4" and "-W3" share the same mounting holes and do not require re-drilling for W4 bracket installation.
2. Mount the AP using no less than four screw holes on a bracket

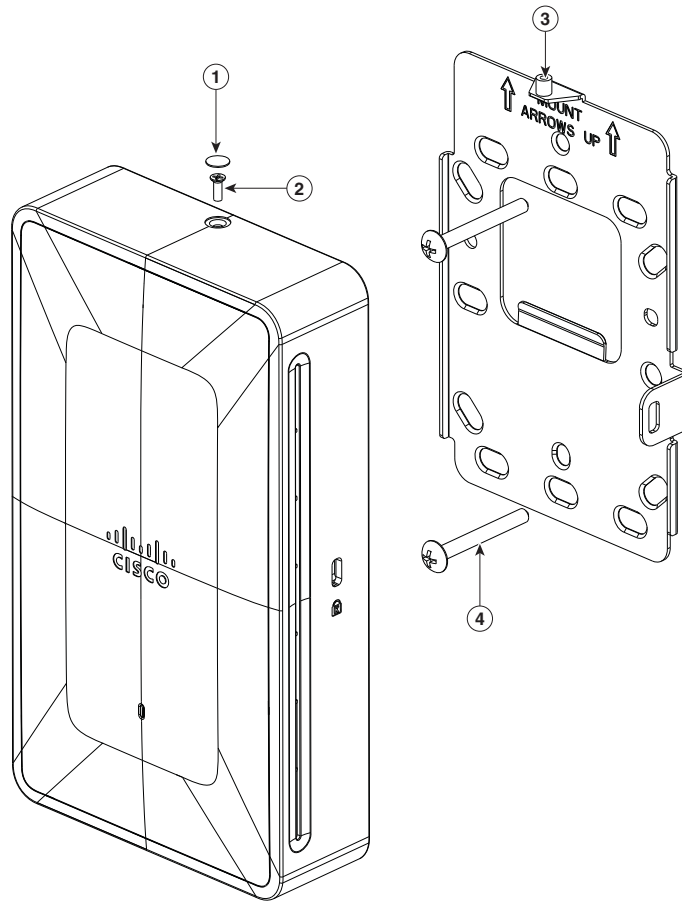
When mounting the AP in areas where there is a possibility of the AP being knocked off the mounting bracket, use the lock hasp on the back of the AP to lock it to the bracket.

Mounting the AP directly on a Wall

To mount the AP on a wall, follow these steps:

-
- Step 1** Fasten the wall-mount bracket (AIR-AP-BRACKET-W4) to the wall, using two M3.5X32mm screws. Ensure that the side having the **Mount Arrows Up** label is facing outwards, and the bracket is oriented vertically as indicated by the arrows.
 - Step 2** Connect the power and network cables to the AP.
If you are unable to connect a PoE cable to the port on the back of the AP, then:
 - a. On the back of the AP, use an RJ45 jumper cable to connect the PoE port to the Pass-Through port. This jumper cable is available as part of the spacer kit (C9105AXW-KIT=).
 - b. Connect the PoE supply cable to the Pass-Through port on the base of the AP.
This connection sends power internally from the Pass-Through port on the base, to the Pass-Through port on the back, and then through the jumper cable into the PoE port on the back.
 - Step 3** Mount the AP onto the wall-mount bracket. For this, align the AP with the bracket and then offset the AP around ¼ inch above the bracket.
 - Step 4** Fasten the AP to the bracket using the M2 x 5.5mm Torx security screw. Cover it with the mylar label.
-

Figure 10 Mounting the AP to a wall



357387

1	Mylar label for covering Torx security screw slot	3	Screw hole on the wall-mount bracket for the security screw
2	M2 x 5.5mm Torx security screw	4	M3.5 x 32mm screws for fastening the bracket to the wall

Mounting the AP on an Electrical Junction Box

To mount the AP on an electrical junction box, follow these steps:

Step 1 Fasten the wall-mount bracket (AIR-AP-BRACKET-W4), using two #6-32 x 0.81 inch machine screws, to the electrical junction box. Ensure that the side having the **Mount Arrows Up** label is facing outwards, and the bracket is oriented vertically as indicated by the arrows.

Step 2 Connect the power and network cables to the AP.

If you are unable to connect a PoE cable to the port on the back of the AP, then:

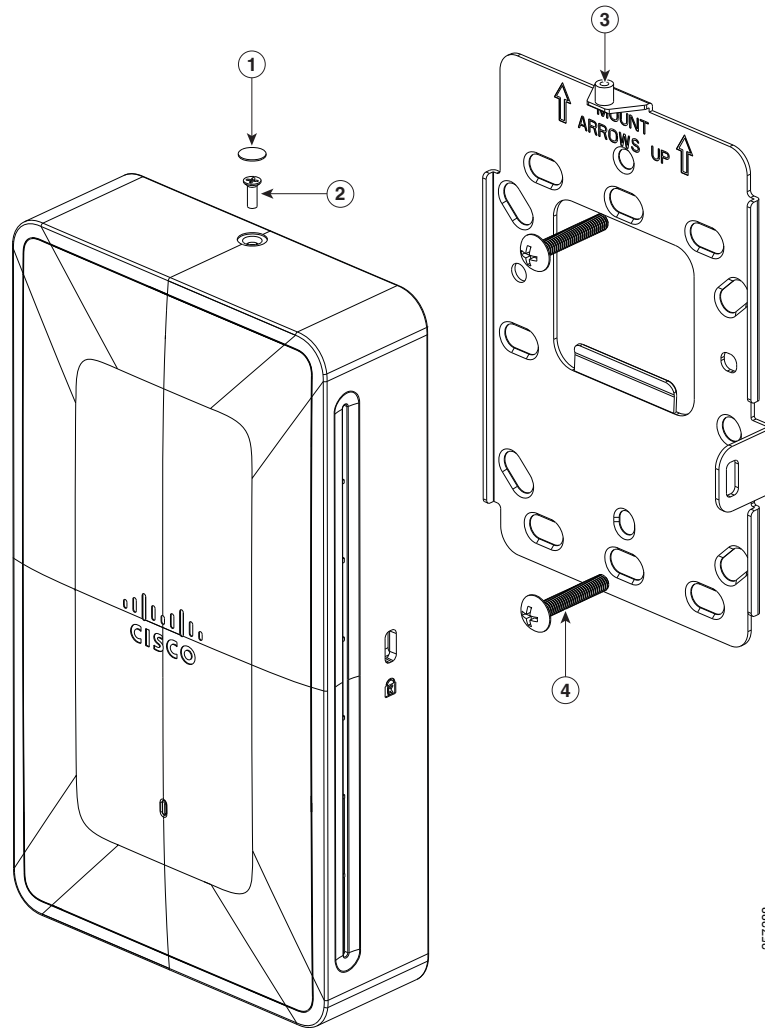
- On the back of the AP, use an RJ45 jumper cable to connect the PoE port to the Pass-Through port. This jumper cable is available as part of the spacer kit (C9105AXW-KIT=).
- Connect the PoE supply cable to the Pass-Through port on the base of the AP.

This connection sends power internally from the Pass-Through port on the base, to the Pass-Through port on the back, and then through the jumper cable into the PoE port on the back.

Step 3 Mount the AP onto the wall-mount bracket. For this, align the AP with the bracket and then offset the AP around ¼ inch above the bracket.

Step 4 Fasten the AP to the bracket using the M2 x 5.5mm Torx security screw. Cover it with the mylar label.

Figure 11 Mounting the AP on an Electrical Junction Box

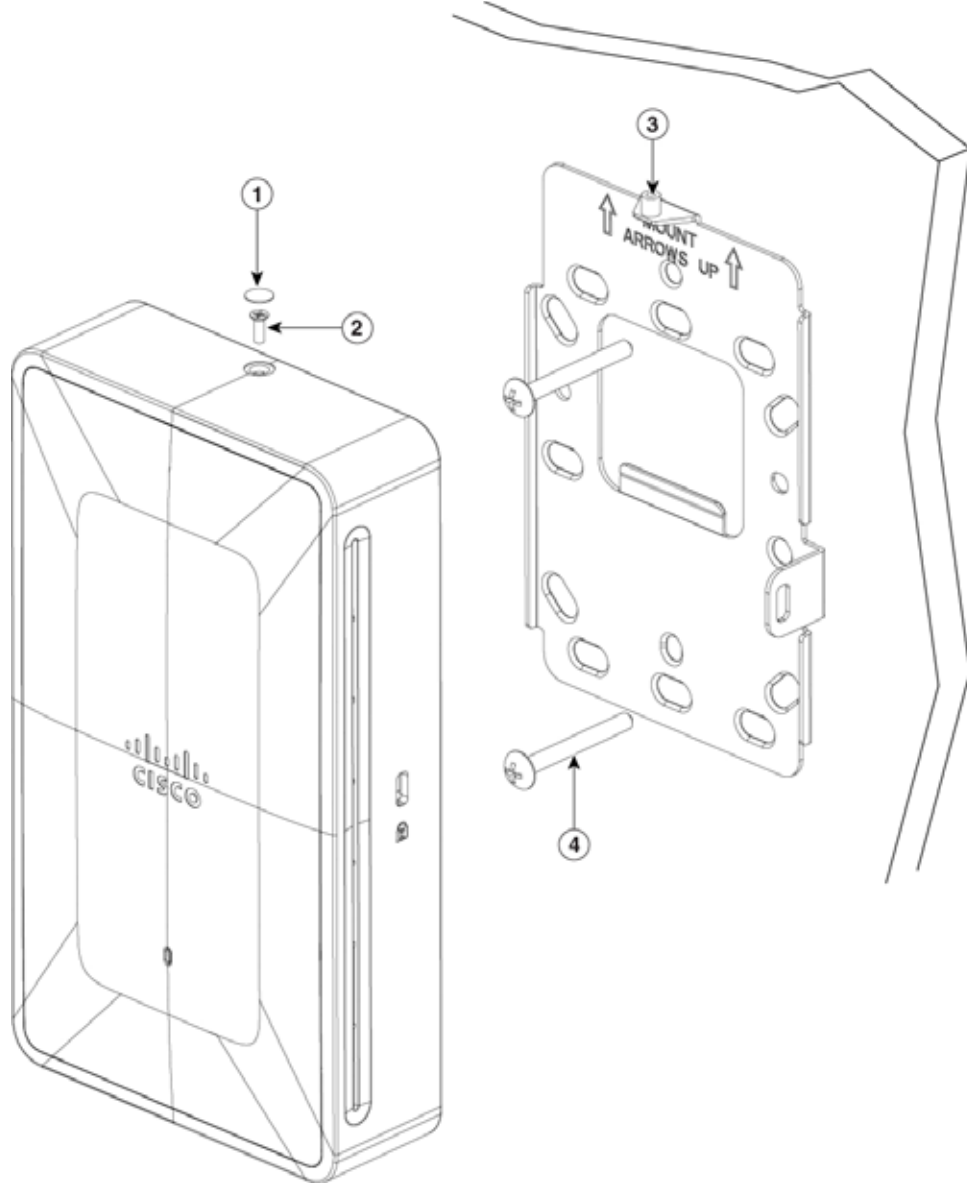


357388

1	Mylar label for covering Torx security screw slot	3	Screw hole on the wall-mount bracket for the security screw
2	M2 x 5.5mm Torx security screw	4	#6-32X0.81 inch machine screws for fastening the bracket to the junction box

Mounting the AP on a Wall using the Spacer

Figure 12 Mounting the AP on a Wall using the Spacer

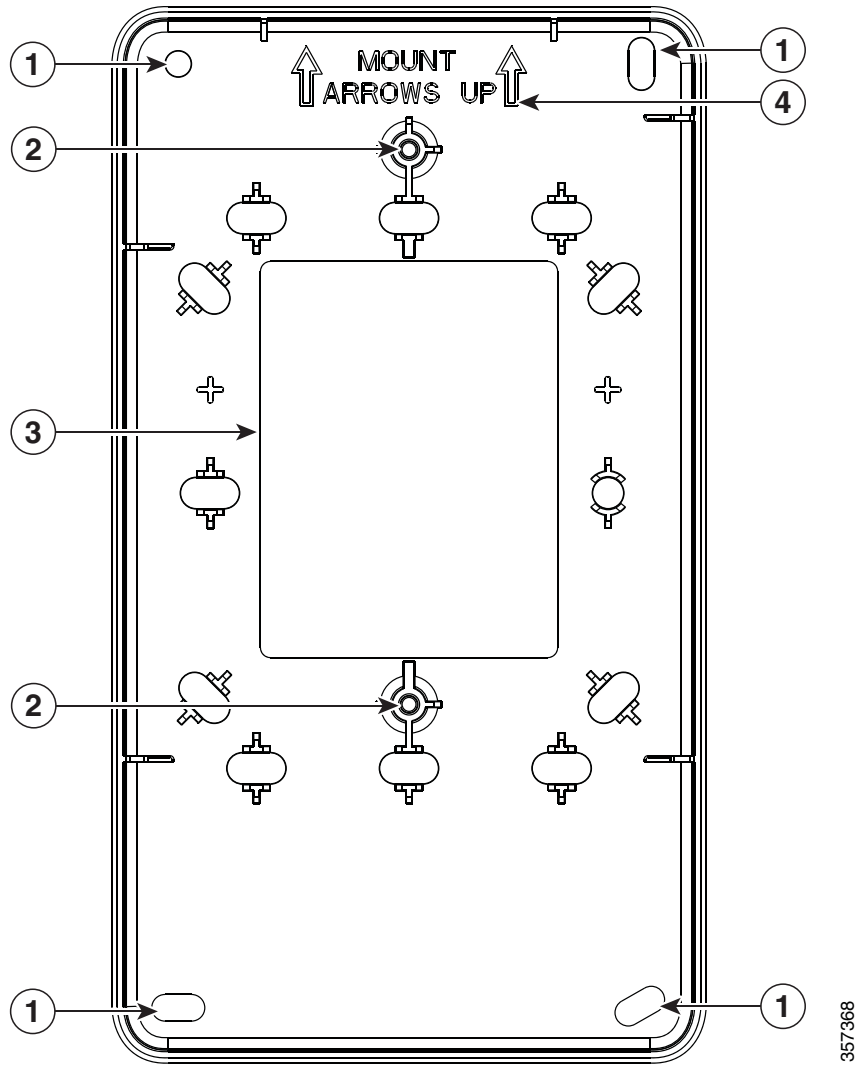


357387

1	Mylar label for covering Torx security screw slot.	3	M3X8mm tapping screws for fastening the wall-mount bracket to the spacer.
2	M2 x 5.5mm Torx security screw.	4	M3.5 x 32mm screws for fastening the spacer to the wall.

Figure 13 shows the mounting points for the kit to the wall and for the AP wall plate to the spacer.

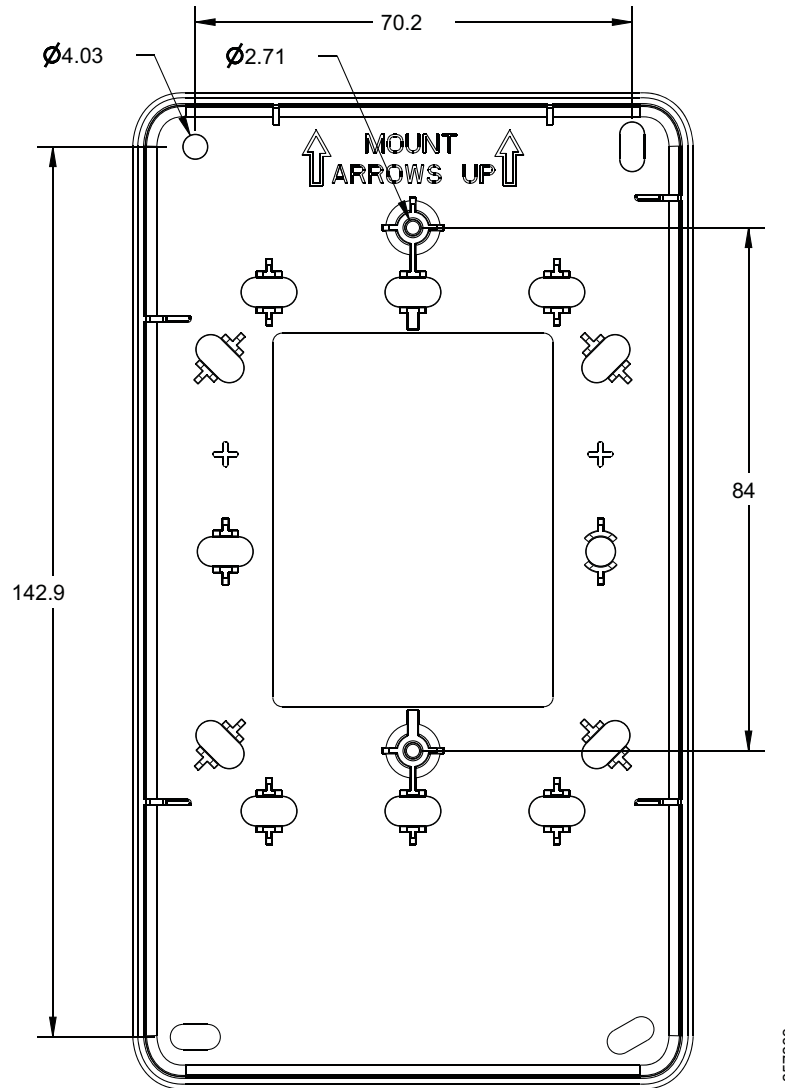
Figure 13 Wall-Mount Spacer in C9105AXW-KIT



1	4 screw holes for fastening the spacer box to the wall or electrical junction box.	3	Hole for passing cables through.
2	2 screw holes for fastening the wall-plate to the spacer box.	4	Ensure that this Mount Arrows Up label faces outwards, and the box is oriented vertically as indicated by the arrows.

Figure 14 shows the dimensions for the wall mount spacer kit.

Figure 14 Dimensions of Wall-Mount Spacer in C9105AXW-KIT (All values in millimeter)



The spacer kit helps mount the AP on a wall. Use this kit when there are space constraints to mount the AP. The spacer kit (C9105AXW-KIT=) is optional and needs to be added along with the AP order or purchased separately.

To mount the AP on a wall using a spacer box, follow these steps:

- Step 1** Fasten the spacer box to the wall, using four M3.5 x 32mm screws. Ensure that the side having the **Mount Arrows Up** label is facing outwards, and the box is oriented vertically as indicated by the arrows.

Step 2 Fasten the wall-mount bracket (AIR-AP-BRACKET-W4) to the spacer box, using two M3X8mm tapping screws. Ensure that the side having the **Mount Arrows Up** label is facing outwards, and the bracket is oriented vertically as indicated by the arrows.

Step 3 Connect the power and network cables to the AP.

If you are unable to connect a PoE cable to the port on the back of the AP, then:

- a. On the back of the AP, use an RJ45 jumper cable to connect the PoE port to the Pass-Through port. This jumper cable is available as part of the spacer kit (C9105AXW-KIT).
- b. Connect the PoE supply cable to the Pass-Through port on the base of the AP.

This connection sends power internally from the Pass-Through port on the base, to the Pass-Through port on the back, and then through the jumper cable into the PoE port on the back.



Note The punch-out holes on the spacer box can be used for routing cables. However, an RJ45 connector will not fit through these holes. If this is required, you must first route a cable through the hole and then crimp an RJ45 connector on to the cable.

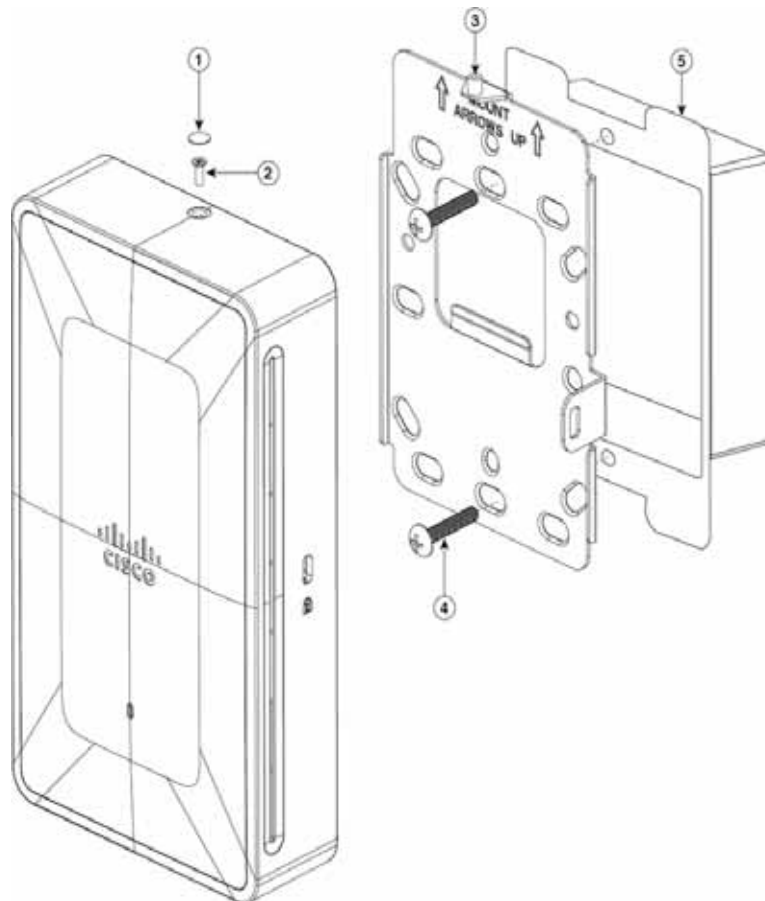
Step 4 Mount the AP onto the wall-mount bracket. For this, align the AP with the bracket and then offset the AP around ¼ inch above the bracket.

Step 5 Fasten the AP to the bracket using the M2 x 5.5mm Torx security screw. Cover it with the mylar label.

Mounting the AP on an Electrical Junction Box using the Spacer

The spacer kit helps mount the AP on an electrical junction box. This spacer avoids exposing Ethernet cable to the elements. The the pass-through Ethernet port is used to connect the Ethernet cable to the AP.

Figure 15 Mounting AP on an Electrical Junction Box using the Spacer



1	Mylar label for covering Torx security screw slot.	3	M3X8mm pan head tapping screws for fastening the wall-mount bracket to the spacer.
2	M2 x 5.5mm Torx security screw.	4	6-32 x 1.62_inch screws for fastening the spacer-bracket assembly to the junction box.

To mount the AP on an electrical junction box using a spacer box, follow these steps:

- Step 1** Fasten the wall-mount bracket (AIR-AP-BRACKET-W4) to the spacer box, using two M3X8mm pan head tapping screws. Ensure that the side having the **Mount Arrows Up** label facing outwards, and the bracket oriented vertically as indicated by the arrows.
- Step 2** Fasten the wall-mount bracket and spacer box assembly to the electrical junction box, using two #6-32X1.62 inch machine screws. Ensure that the side having the **Mount Arrows Up** label is facing outwards, and the box is oriented vertically as indicated by the arrows.
- Step 3** Connect the power and network cables to the AP.
 If you are unable to connect a PoE cable to the port on the back of the AP, then:
 - a. On the back of the AP, use an RJ45 jumper cable to connect the PoE port to the Pass-Through port. This jumper cable is available as part of the spacer kit C9105AXW-KIT.
 - b. Connect the PoE supply cable to the Pass-Through port on the base of the AP.

This connection sends power internally from the Pass-Through port on the base, to the Pass-Through port on the back, and then through the jumper cable into the PoE port on the back.

**Note**

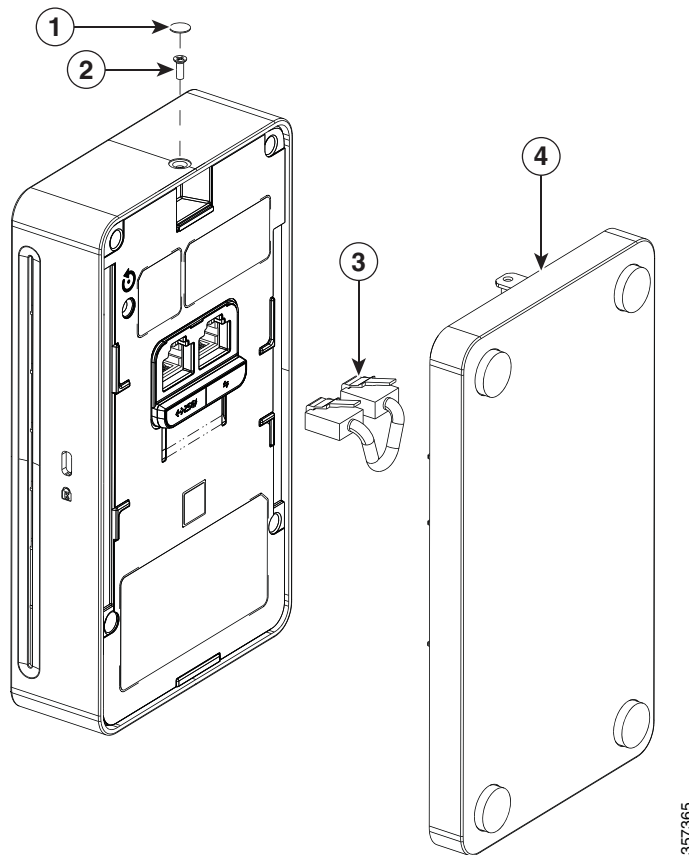
The punch-out holes on the spacer box can be used for routing cables. However, an RJ45 connector will not fit through these holes. If this is required, you must first route a cable through the hole and then crimp an RJ45 connector on to the cable.

Step 4 Mount the AP onto the wall-mount bracket. For this, align the AP with the bracket and then offset the AP around ¼ inch above the bracket.

Step 5 Fasten the AP to the bracket using the M2 x 5.5mm Torx security screw. Cover it with the mylar label.

Mounting the Kit C9105AXWT_COVER= to the AP

Figure 16 Mounting the C9105AXWT_COVER to the AP



1	Mylar cover to cover the Philips screw slot	3	RJ-45 jumper cable
2	M2 x 5.5mm Philips screw	4	Bottom cover with rubber feet

The cover—C9105AXWT_COVER for the Cisco Catalyst 9105AXWT allows you to place the AP horizontally on the desk. This kit contains the back cover with rubber feet, RJ-45 jumper cable, and mylar cover for the screw slot at the top of the AP.

To mount the Kit C9105AXWT_COVER= to the AP, follow these steps:

-
- Step 1** Connect the power and network cables to the AP.
- On the back of the AP, use an RJ45 jumper cable to connect the PoE port to the Pass-Through port. This jumper cable is available as part of the teleworker kit (C9105AXWT_COVER=). Bend the cable as shown in [Figure 16](#).
 - Connect the PoE supply cable to the pass-through port on the base of the AP.
- This connection sends power internally from the Pass-Through port on the base, to the Pass-Through port on the back, and then through the jumper cable into the PoE port on the back.
- Step 2** Mount the AP onto the bottom cover. For this, align the AP with the bottom cover and then offset the AP around ¼ inch above the cover. Push the cover upwards to align with the AP.
- Step 3** Fasten the AP to the bracket using the M2 x 5.5mm Torx security screw. Cover it with the mylar label.
-

10 Powering the Access Point

The AP can be powered only through Power-over-Ethernet (PoE) using the following:

- 802.3at (PoE+): Any 802.3at (30.0 W) compliant switch port or Cisco Power Injector AIR-PWRINJ6=
- 802.3af: Any 802.3af (15.4 W) compliant switch port or Cisco Power Injector AIR-PWRINJ5=



Note If 802.3af is used, the USB port and LAN PSE1 port will be off.

- 802.3bt: Any 802.3bt compliant switch port
- Cisco Universal PoE (Cisco UPOE)

11 Configuring and Deploying the Access Point

This section describes how to connect the access point to a controller. Because the configuration process takes place on the controller, see the *Cisco Wireless Controller Configuration Guide* for additional information.

The Controller Discovery Process



-
- Note**
- The controller must be running release 8.10.105.0 or IOS-XE 17.3.x to support C9105AXW models. For more information, visit the access point data sheet available on Cisco.com at <https://www.cisco.com/c/en/us/products/collateral/wireless/catalyst-9100ax-access-points/datasheet-c78-744062.html>.
 - You cannot edit or query any access point using the controller CLI if the name of the access point contains a space.
 - Make sure that the controller is set to the current time. If the controller is set to a time that has already occurred, the access point might not join the controller because its certificate may not be valid for that time.
-

Access points must be discovered by a controller before they can become an active part of the network. The access point supports these controller discovery processes:

- **Locally stored controller IP address discovery**—If the access point was previously joined to a controller, the IP addresses of the primary, secondary, and tertiary controllers are stored in the access point non-volatile memory. This process of storing controller IP addresses on an access point for later deployment is called *priming the access point*. For more information about priming, see the [“Performing a Pre-Installation Configuration” section on page 17](#).
- **DHCP server discovery**—This feature uses DHCP option 43 to provide controller IP addresses to the access points. Cisco switches support a DHCP server option that is typically used for this capability. For more information about DHCP option 43, see the [“Configuring DHCP Option 43” section on page 33](#).
- **DNS discovery**—The access point can discover controllers through your domain name server (DNS). For the access point to do so, you must configure your DNS to return controller IP addresses in response to CISCO-CAPWAP-CONTROLLER.*localdomain*, where *localdomain* is the access point domain name. Configuring the CISCO-CAPWAP-CONTROLLER provides backwards compatibility in an existing customer deployment. When an access point receives an IP address and DNS information from a DHCP server, it contacts the DNS to resolve CISCO-CAPWAP-CONTROLLER.*localdomain*. When the DNS sends a list of controller IP addresses, the access point sends discovery requests to the controllers.

Deploying the Access Point on the Wireless Network

After you have mounted the access point, follow these steps to deploy it on the wireless network:

-
- Step 1 Connect and power up the access point.
 - Step 2 Observe the access point LED (for LED descriptions, see [“Checking the Access Point LEDs” section on page 30](#)).
 - a. When you power up the access point, it begins a power-up sequence that you can verify by observing the access point LED. If the power-up sequence is successful, the discovery and join process begins. During this process, the LED blinks sequentially green, red, and off. When the access point has joined a controller, the LED is green if no clients are associated or blue if one or more clients are associated.
 - b. If the LED is not on, the access point is most likely not receiving power.
 - c. If the LED blinks sequentially for more than 5 minutes, the access point is unable to find its primary, secondary, and tertiary Cisco Wireless Controller. Check the connection between the access point and the Cisco Wireless Controller, and be sure the access point and the Cisco Wireless Controller are either on the same subnet or that the access point has a route back to its primary, secondary, and tertiary Cisco Wireless Controller. Also, if the access point is not on the same subnet as the Cisco Wireless Controller, be sure that there is a properly configured DHCP server on the same subnet as the access point. See the [“Configuring DHCP Option 43” section on page 33](#) for additional information.
 - Step 3 Reconfigure the Cisco Wireless Controller so that it is not the primary controller.



Note A primary Cisco Wireless Controller should be used only for configuring access points and not in a working network.

12 Checking the Access Point LEDs

The location of the access point status LED is shown in [Figure 7](#).



Note Regarding LED status colors, it is expected that there will be small variations in color intensity and hue from unit to unit. This is within the normal range of the LED manufacturer's specifications and is not a defect. However, the intensity of the LED can be changed through the controller.

The access point status LED indicates various conditions and are described in [Table 1](#).

Table 1 *LED Status Indications*

Message Type	LED State	Message Meaning
Association status	Green	Normal operating condition, but no wireless client associated
	Blue	Normal operating condition, at least one wireless client association
Boot loader status	Green	Executing boot loader
Boot loader error	Blinking Green	Boot loader signing verification failure
Operating status	Blinking Blue	Software upgrade in progress
	Alternating between Green and Red	Discovery/join process in progress
Access point operating system errors	Cycling through Red-Off-Green-Off-Blue-Off	General warning; insufficient inline power

1.3 Miscellaneous Usage and Configuration Guidelines

Using the Mode Button

Using the Mode button (see [Figure 8](#)) you can:

- Reset the AP to the default factory-shipped configuration.
- Clear the AP internal storage, including all configuration files.

To use the mode button, press, and keep pressed, the mode button on the access point during the AP boot cycle. Wait until the AP console shows a seconds counter. Once the counter indicates the number of seconds the mode button is pressed, the AP status LED changes to blinking red. Then:

- To reset the AP to the default factory-shipped configuration, keep the mode button pressed for less than 20 seconds. The AP configuration files are cleared.

This resets all configuration settings to factory defaults, including passwords, the IP address, and the SSID.

- To clear the AP internal storage, including all configuration files, keep the mode button pressed for more than 20 seconds, but less than 60 seconds.

**Note**

If the mode button is pressed for more than 30 seconds but less than 60 seconds, the FIPS mode flag is also cleared during the full factory reset of the AP. The FIPS flag when set disables console access.

The AP status LED changes from Blue to Red, and all the files in the AP storage directory are cleared.

If you keep the mode button pressed for more than 60 seconds, the mode button is assumed faulty and no changes are made.

Troubleshooting the Access Point to Cisco Controller Join Process

**Note**

As specified in the *Cisco Wireless Solutions Software Compatibility Matrix*, ensure that your controller is running controller software release 8.10.105.0 or IOS-XE 17.3.x or later to support C9105AXW.

Access points can fail to join a controller for many reasons: a RADIUS authorization is pending; self-signed certificates are not enabled on the controller; the access point and the controller regulatory domains don't match, and so on.

Controller software enables you to configure the access points to send all CAPWAP-related errors to a syslog server. You do not need to enable any debug commands on the controller because all of the CAPWAP error messages can be viewed from the syslog server itself.

The state of the access point is not maintained on the controller until it receives a CAPWAP join request from the access point. Therefore, it can be difficult to determine why the CAPWAP discovery request from a certain access point was rejected. In order to troubleshoot such joining problems without enabling CAPWAP debug commands on the controller, the controller collects information for all access points that send a discovery message to it and maintains information for any access points that have successfully joined it.

The controller collects all join-related information for each access point that sends a CAPWAP discovery request to the controller. Collection begins with the first discovery message received from the access point and ends with the last configuration payload sent from the controller to the access point.

When the controller is maintaining join-related information for the maximum number of access points, it does not collect information for any more access points.

An access point sends all syslog messages to IP address 255.255.255.255 by default.

You can also configure a DHCP server to return a syslog server IP address to the access point using option 7 on the server. The access point then starts sending all syslog messages to this IP address.

When the access point joins a controller for the first time, the controller sends the global syslog server IP address (the default is 255.255.255.255) to the access point. After that, the access point sends all syslog messages to this IP address until it is overridden by one of the following scenarios:

- The access point is still connected to the same controller, and the global syslog server IP address configuration on the controller has been changed using the **config ap syslog host global syslog_server_IP_address** command. In this case, the controller sends the new global syslog server IP address to the access point.
- The access point is still connected to the same controller, and a specific syslog server IP address has been configured for the access point on the controller using the **config ap syslog host specific Cisco_AP syslog_server_IP_address** command. In this case, the controller sends the new specific syslog server IP address to the access point.
- The access point is disconnected from the controller and joins another controller. In this case, the new controller sends its global syslog server IP address to the access point.
- Whenever a new syslog server IP address overrides the existing syslog server IP address, the old address is erased from persistent storage, and the new address is stored in its place. The access point also starts sending all syslog messages to the new IP address provided the access point can reach the syslog server IP address.

You can configure the syslog server for access points and view the access point join information from the controller CLI.

Important Information for Controller-based Deployments

Keep these guidelines in mind when you use C9105AXW series access point:

- The access point can only communicate with Cisco wireless controllers.
- The access point does not support Wireless Domain Services (WDS) and cannot communicate with WDS devices. However, the controller provides functionality equivalent to WDS when the access point joins it.
- CAPWAP does not support Layer 2. The access point must get an IP address and discover the controller using Layer 3, DHCP, DNS, or IP subnet broadcast.
- The access point console port is enabled for monitoring and debug purposes. All configuration commands are disabled when the access point is connected to a controller.

Configuring DHCP Option 43

You can use DHCP Option 43 to provide a list of controller IP addresses to the access points, enabling them to find and join a controller.

The following is a DHCP Option 43 configuration example on a Windows 2003 Enterprise DHCP server for use with Cisco Catalyst lightweight access points. For other DHCP server implementations, consult product documentation for configuring DHCP Option 43. In Option 43, you should use the IP address of the controller management interface.



Note DHCP Option 43 is limited to one access point type per DHCP pool. You must configure a separate DHCP pool for each access point type.

The C9105AXW series access point uses the type-length-value (TLV) format for DHCP Option 43. DHCP servers must be programmed to return the option based on the access point DHCP Vendor Class Identifier (VCI) string (DHCP Option 43). The VCI string for the C9105AXW series access point is:

Cisco AP C9105AXW

The format of the TLV block is listed below:

- Type—0xf1 (decimal 241)
- Length—Number of controller IP addresses * 4
- Value—IP addresses of the WLC management interfaces listed sequentially in hex

To configure DHCP Option 43 in the embedded Cisco IOS DHCP server, follow these steps:

Step 1 Enter configuration mode at the Cisco IOS CLI.

Step 2 Create the DHCP pool, including the necessary parameters such as default router and name server. A DHCP scope example is as follows:

```
ip dhcp pool <pool name>
network <IP Network> <Netmask>
default-router <Default router>
dns-server <DNS Server>
```

Where:

<pool name> is the name of the DHCP pool, such as AP9105AXW
<IP Network> is the network IP address where the controller resides, such as 10.0.15.1
<Netmask> is the subnet mask, such as 255.255.255.0
<Default router> is the IP address of the default router, such as 10.0.0.1
<DNS Server> is the IP address of the DNS server, such as 10.0.10.2

Step 3 Add the option 43 line using the following syntax:

```
option 43 hex <hex string>
```

The *hex string* is assembled by concatenating the TLV values shown below:

Type + Length + Value

For example, suppose that there are two controllers with management interface IP addresses, 10.126.126.2 and 10.127.127.2. The type is *f1(hex)*. The length is $2 * 4 = 8 = 08$ (*hex*). The IP addresses translate to *0a7e7e02* and *0a7f7f02*. Assembling the string then yields *f1080a7e7e020a7f7f02*. The resulting Cisco IOS command added to the DHCP scope is **option 43 hex f1080a7e7e020a7f7f02**.

14 FAQs

What is 802.11ax?

The IEEE 802.11ax standard, also known as the High-Efficiency Wireless (HEW) or Wi-Fi 6, builds off of the 802.11ac and delivers a better experience in typical environments, and a more predictable performance for advanced applications such as 4K or 8K video, high-density high-definition collaboration applications, all-wireless offices and Internet-of-Things (IoT). 802.11ax is designed to use both 2.4GHz and the 5GHz bands, unlike prior standards.

What is Cisco Multigigabit Ethernet?

Cisco Multigigabit Ethernet (mGig) is a unique Cisco innovation also available in the Cisco Catalyst 9105AXW series access point. With the increasing popularity of 802.11ax and new wireless applications, wireless devices now require more network bandwidth. Hence, there is a need for a technology that supports speeds higher than 1 Gbps on all cabling infrastructure. Cisco Multigigabit technology allows you to achieve bandwidth speeds from 1 to 10 Gbps over traditional Cat 5e cabling or newer. The C9105AXW AP supports up to 2.5 Gbps using mGig.

For more information see the following Cisco Multigigabit FAQ document:

<http://www.cisco.com/c/dam/en/us/solutions/collateral/enterprise-networks/catalyst-multigigabit-switching/multigigabit-ethernet-technology.pdf>

15 Related Documentation

All user documentation for the Cisco Catalyst 9105AXW series access point is available at the following URL:

<https://www.cisco.com/c/en/us/support/wireless/catalyst-9100ax-access-points/series.html>

For detailed information and guidelines for configuring and deploying your access point in a wireless network, see the following documentation:

- Cisco Catalyst 9105AXW Series Access Point Deployment Guide, at the following URL:
<https://www.cisco.com/c/en/us/products/wireless/catalyst-9100ax-access-points/datasheet-listing.html>
- Cisco Wireless Controller Configuration Guide, Release 8.10, at the following URL:
http://www.cisco.com/c/en/us/td/docs/wireless/controller/8-10/config-guide/b_cg810.html
- Cisco Catalyst 9800 Series Wireless Controller Software Configuration Guide, Cisco IOS XE Amsterdam 17.3.x, at the following URL:
https://www.cisco.com/c/en/us/td/docs/wireless/controller/9800/17-3/config-guide/b_wl_17_3_cg.html

16 Declarations of Conformity and Regulatory Information

This section provides declarations of conformity and regulatory information for the Cisco Catalyst 9105AXW Series Access Points. You can find additional information at this URL:

www.cisco.com/go/aironet/compliance

Manufacturers Federal Communication Commission Declaration of Conformity Statement



Access Point Models

C9105AXW-B

C9105AXW-EWC-B

C9105AXWT-B

Certification Number

LDK-SMST9105AXW

LDK-RUSS9105AXW

Manufacturer:

Cisco Systems, Inc.
125 West Tasman Drive
San Jose, CA 95134-1706
USA

This device complies with Part 15 rules. Operation is subject to the following two conditions:

1. This device may not cause harmful interference, and
2. This device must accept any interference received, including interference that may cause undesired operation.

This equipment has been tested and found to comply with the limits of a Class B digital device, pursuant to Part 15 of the FCC Rules. These limits are designed to provide reasonable protection against harmful interference when the equipment is operated in a residential environment. This equipment generates, uses, and radiates radio frequency energy, and if not installed and used in accordance with the instructions, may cause harmful interference. However, there is no guarantee that interference will not occur. If this equipment does cause interference to radio or television reception, which can be determined by turning the equipment off and on, the user is encouraged to correct the interference by one of the following measures:

- Reorient or relocate the receiving antenna.
- Increase separation between the equipment and receiver.
- Connect the equipment to an outlet on a circuit different from which the receiver is connected.
- Consult the dealer or an experienced radio/TV technician.

**Caution**

The Part 15 radio device operates on a non-interference basis with other devices operating at this frequency when using the integrated antennas. Any changes or modification to the product not expressly approved by Cisco could void the user's authority to operate this device.

VCCI Statement for Japan

Warning

This is a Class B product based on the standard of the Voluntary Control Council for Interference from Information Technology Equipment (VCCI). If this is used near a radio or television receiver in a domestic environment, it may cause radio interference. Install and use the equipment according to the instruction manual.

警告

この装置は、クラスB情報技術装置です。この装置は、家庭環境で使用されていますが、この装置がラジオやテレビジョン受信機に近接して使用されると引き起こすことがあります。取扱説明書に従って正しい取り扱いをして下さい。

Guidelines for Operating Cisco Catalyst Access Points in Japan

This section provides guidelines for avoiding interference when operating Cisco Catalyst access points in Japan. These guidelines are provided in both Japanese and English.

Japanese Translation

この機器の使用周波数帯では、電子レンジ等の産業・科学・医療用機器のほか工場の製造ライン等で使用されている移動体識別用の構内無線局（免許を要する無線局）及び特定小電力無線局（免許を要しない無線局）が運用されています。

- 1 この機器を使用する前に、近くで移動体識別用の構内無線局及び特定小電力無線局が運用されていないことを確認して下さい。
- 2 万一、この機器から移動体識別用の構内無線局に対して電波干渉の事例が発生した場合には、速やかに使用周波数を変更するか又は電波の発射を停止した上、下記連絡先にご連絡頂き、混信回避のための処置等(例えば、パーティションの設置など)についてご相談して下さい。
- 3 その他、この機器から移動体識別用の特定小電力無線局に対して電波干渉の事例が発生した場合など何かお困りのことが起きたときは、次の連絡先へお問い合わせ下さい。

連絡先 : 03-6434-6500

208697

English Translation

This equipment operates in the same frequency bandwidth as industrial, scientific, and medical devices such as microwave ovens and mobile object identification (RF-ID) systems (licensed premises radio stations and unlicensed specified low-power radio stations) used in factory production lines.

1. Before using this equipment, make sure that no premises radio stations or specified low-power radio stations of RF-ID are used in the vicinity.
2. If this equipment causes RF interference to a premises radio station of RF-ID, promptly change the frequency or stop using the device; contact the number below and ask for recommendations on avoiding radio interference, such as setting partitions.
3. If this equipment causes RF interference to a specified low-power radio station of RF-ID, contact the number below.

Contact Number: 03-6434-6500

Statement 371—Power Cable and AC Adapter

接続ケーブル、電源コード、ACアダプタ、バッテリーなどの部品は、必ず添付品または指定品をご使用ください。添付品・指定品以外の部品をご使用になると故障や動作不良、火災の原因となります。また、電気用品安全法により、当該法の認定（PSEとコードに表記）でなくUL認定（ULまたはCSAマークがコードに表記）の電源ケーブルは弊社が指定する製品以外の電気機器には使用できないためご注意ください。

English Translation

When installing the product, please use the provided or designated connection cables/power cables/AC adaptors. Using any other cables/adaptors could cause a malfunction or a fire. Electrical Appliance and Material Safety Law prohibits the use of UL-certified cables (that have the “UL” shown on the code) for any other electrical devices than products designated by CISCO. The use of cables that are certified by Electrical Appliance and Material Safety Law (that have “PSE” shown on the code) is not limited to CISCO-designated products.

Industry Canada

Access Point Models

C9105AXW-A

C9105AXW-EWC-A

C9105AXWT-A

Certification Number

2461N-SMST9105AXW

Canadian Compliance Statement

This device complies with Industry Canada licence-exempt RSS standard(s). Operation is subject to the following two conditions: (1) this device may not cause interference, and (2) this device must accept any interference, including interference that may cause undesired operation of the device.

Le présent appareil est conforme aux CNR d'Industrie Canada applicables aux appareils radio exempts de licence. L'exploitation est autorisée aux deux conditions suivantes : (1) l'appareil ne doit pas produire de brouillage, et (2) l'utilisateur de l'appareil doit accepter tout brouillage radioélectrique subi, même si le brouillage est susceptible d'en compromettre le fonctionnement.

Under Industry Canada regulations, this radio transmitter may only operate using an antenna of a type and maximum (or lesser) gain approved for the transmitter by Industry Canada. To reduce potential radio interference to other users, the antenna type and its gain should be so chosen that the equivalent isotropically radiated power (e.i.r.p.) is not more than that necessary for successful communication.

Conformément à la réglementation d'Industrie Canada, le présent émetteur radio peut fonctionner avec une antenne d'un type et d'un gain maximal (ou inférieur) approuvé pour l'émetteur par Industrie Canada. Dans le but de réduire les risques de brouillage radioélectrique à l'intention des autres utilisateurs, il faut choisir le type d'antenne et son gain de sorte que la puissance isotrope rayonnée équivalente (p.i.r.e.) ne dépasse pas l'intensité nécessaire à l'établissement d'une communication satisfaisante.

This radio transmitter has been approved by Industry Canada to operate with the antenna types listed below with the maximum permissible gain and required antenna impedance for each antenna type indicated. Antenna types not included in this list, having a gain greater than the maximum gain indicated for that type, are strictly prohibited for use with this device.

Le présent émetteur radio a été approuvé par Industrie Canada pour fonctionner avec les types d'antenne énumérés ci-dessous et ayant un gain admissible maximal et l'impédance requise pour chaque type d'antenne. Les types d'antenne non inclus dans cette liste, ou dont le gain est supérieur au gain maximal indiqué, sont strictement interdits pour l'exploitation de l'émetteur.

Table 2 List of Internal Antennas Supported on C9105AXW and 9105AXWT

Antenna Type	Antenna Gain	Antenna Impedance
Dual-Band Omni	2.4 GHz—3 dBi 5 GHz—5 dBi	50 ohms
Single-Band Omni	3 dBi	50 ohms

Operation in the band 5150–5250 MHz is only for indoor use to reduce the potential for harmful interference to co-channel mobile satellite systems.

La bande 5 150–5 250 MHz est réservés uniquement pour une utilisation à l'intérieur afin de réduire les risques de brouillage préjudiciable aux systèmes de satellites mobiles utilisant les mêmes canaux.

Users are advised that high-power radars are allocated as primary users (i.e. priority users) of the bands 5250–5350 MHz and 5650–5850 MHz and that these radars could cause interference and/or damage to LE-LAN devices. Les utilisateurs êtes avisés que les utilisateurs de radars de haute puissance sont désignés utilisateurs principaux (c.-à-d., qu'ils ont la priorité) pour les bandes 5 250–5 350 MHz et 5 650–5 850 MHz et que ces radars pourraient causer du brouillage et/ou des dommages aux dispositifs LAN-EL.

European Community, Switzerland, Norway, Iceland, and Liechtenstein

Access Point Models:

- C9105AXW-E
- C9105AXW-EWC-E
- C9105AXWT-E



Note This equipment is intended to be used in all EU and EFTA countries. Outdoor use may be restricted to certain frequencies and/or may require a license for operation. For more details, contact Cisco Corporate Compliance.

The product carries the CE Mark:



Declaration of Conformity for RF Exposure

This section contains information on compliance with guidelines related to RF exposure.

Generic Discussion on RF Exposure

The Cisco products are designed to comply with the following national and international standards on Human Exposure to Radio Frequencies:

- US 47 Code of Federal Regulations Part 2 Subpart J
- American National Standards Institute (ANSI) / Institute of Electrical and Electronic Engineers / IEEE C 95.1 (99)
- International Commission on Non Ionizing Radiation Protection (ICNIRP) 98
- Ministry of Health (Canada) Safety Code 6. Limits on Human Exposure to Radio Frequency Fields in the range from 3kHz to 300 GHz
- Australia Radiation Protection Standard

To ensure compliance with various national and international Electromagnetic Field (EMF) standards, the system should only be operated with Cisco approved antennas and accessories.

This Device Meets International Guidelines for Exposure to Radio Waves

The C9105AXW series device includes a radio transmitter and receiver. It is designed not to exceed the limits for exposure to radio waves (radio frequency electromagnetic fields) recommended by international guidelines. The guidelines were developed by an independent scientific organization (ICNIRP) and include a substantial safety margin designed to ensure the safety of all persons, regardless of age and health.

As such the systems are designed to be operated as to avoid contact with the antennas by the end user. It is recommended to set the system in a location where the antennas can remain at least a minimum distance as specified from the user in accordance to the regulatory guidelines which are designed to reduce the overall exposure of the user or operator.

Separation Distance		
MPE	Distance	Limit
0.25 mW/cm ²	30 cm (12 inches)	1.00 mW/cm ²

The World Health Organization has stated that present scientific information does not indicate the need for any special precautions for the use of wireless devices. They recommend that if you are interested in further reducing your exposure then you can easily do so by reorienting antennas away from the user or placing the antennas at a greater separation distance than recommended.

This Device Meets FCC Guidelines for Exposure to Radio Waves

The C9105AXW series device includes a radio transmitter and receiver. It is designed not to exceed the limits for exposure to radio waves (radio frequency electromagnetic fields) as referenced in FCC Part 1.1310. The guidelines are based on IEEE ANSI C 95.1 (92) and include a substantial safety margin designed to ensure the safety of all persons, regardless of age and health.

As such the systems are designed to be operated as to avoid contact with the antennas by the end user. It is recommended to set the system in a location where the antennas can remain at least a minimum distance as specified from the user in accordance to the regulatory guidelines which are designed to reduce the overall exposure of the user or operator.

The device has been tested and found compliant with the applicable regulations as part of the radio certification process.

Separation Distance		
MPE	Distance	Limit
0.246 mW/cm ²	20 cm (7.87 inches)	1.00 mW/cm ²

The US Food and Drug Administration has stated that present scientific information does not indicate the need for any special precautions for the use of wireless devices. The FCC recommends that if you are interested in further reducing your exposure then you can easily do so by reorienting antennas away from the user or placing the antennas at a greater separation distance than recommended or lowering the transmitter power output.

This Device Meets the Industry Canada Guidelines for Exposure to Radio Waves

The C9105AXW series device includes a radio transmitter and receiver. It is designed not to exceed the limits for exposure to radio waves (radio frequency electromagnetic fields) as referenced in Health Canada Safety Code 6. The guidelines include a substantial safety margin designed into the limit to ensure the safety of all persons, regardless of age and health.

As such the systems are designed to be operated as to avoid contact with the antennas by the end user. It is recommended to set the system in a location where the antennas can remain at least a minimum distance as specified from the user in accordance to the regulatory guidelines which are designed to reduce the overall exposure of the user or operator.

Separation Distance			
Frequency	MPE	Distance	Limit
2.4 GHz	2.46 W/m ²	20 cm (7.87 inches)	5.4 W/m ²
5 GHz	3.05 W/m ²		9.76 W/m ²

Health Canada states that present scientific information does not indicate the need for any special precautions for the use of wireless devices. They recommend that if you are interested in further reducing your exposure you can easily do so by reorienting antennas away from the user, placing the antennas at a greater separation distance than recommended, or lowering the transmitter power output.

Cet appareil est conforme aux directives internationales en matière d'exposition aux fréquences radioélectriques

Cet appareil de la gamme C9105AXW comprend un émetteur-récepteur radio. Il a été conçu de manière à respecter les limites en matière d'exposition aux fréquences radioélectriques (champs électromagnétiques de fréquence radio), recommandées dans le code de sécurité 6 de Santé Canada. Ces directives intègrent une marge de sécurité importante destinée à assurer la sécurité de tous, indépendamment de l'âge et de la santé.

Par conséquent, les systèmes sont conçus pour être exploités en évitant que l'utilisateur n'entre en contact avec les antennes. Il est recommandé de poser le système là où les antennes sont à une distance minimale telle que précisée par l'utilisateur conformément aux directives réglementaires qui sont conçues pour réduire l'exposition générale de l'utilisateur ou de l'opérateur.

Distance d'éloignement			
Fréquence	MPE	Distance	Limite
2.4 GHz	2.46 W/m ²	20 cm (7.87 inches)	5.4 W/m ²
5 GHz	3.05 W/m ²		9.76 W/m ²

Santé Canada affirme que la littérature scientifique actuelle n'indique pas qu'il faille prendre des précautions particulières lors de l'utilisation d'un appareil sans fil. Si vous voulez réduire votre exposition encore davantage, selon l'agence, vous pouvez facilement le faire en réorientant les antennes afin qu'elles soient dirigées à l'écart de l'utilisateur, en les plaçant à une distance d'éloignement supérieure à celle recommandée ou en réduisant la puissance de sortie de l'émetteur.

Additional Information on RF Exposure

You can find additional information on the subject at the following links:

- Cisco Systems Spread Spectrum Radios and RF Safety white paper at this URL: http://www.cisco.com/warp/public/cc/pd/witc/ao340ap/prodlit/rfhr_wi.htm
- FCC Bulletin 56: Questions and Answers about Biological Effects and Potential Hazards of Radio Frequency Electromagnetic Fields
- FCC Bulletin 65: Evaluating Compliance with the FCC guidelines for Human Exposure to Radio Frequency Electromagnetic Fields

You can obtain additional information from the following organizations:

- World Health Organization Internal Commission on Non-Ionizing Radiation Protection at this URL: www.who.int/emf
- United Kingdom, National Radiological Protection Board at this URL: www.nrp.org.uk
- Cellular Telecommunications Association at this URL: www.wow-com.com
- The Mobile Manufacturers Forum at this URL: www.mmfa.org

Administrative Rules for Cisco Catalyst Access Points in Taiwan

This section provides administrative rules for operating Cisco Catalyst access points in Taiwan. The rules for all access points are provided in both Chinese and English.

Chinese Translation

低功率電波輻射性電機管理辦法

*取得審驗證明之低功率射頻器材，非經核准，公司、商號或使用者均不得擅自變更頻率、加大功率或變更原設計之特性及功能。

*低功率射頻器材之使用不得影響飛航安全及干擾合法通信；經發現有干擾現象時，應立即停用，並改善至無干擾時方得繼續使用。

*前述合法通信，指依電信管理法規定作業之無線電通信。低功率射頻器材須忍受合法通信或工業、科學及醫療用電波輻射性電機設備之干擾。

*應避免影響附近雷達系統之操作

Chinese Translation

低功率射頻電機技術規範

4.7 無線資訊傳輸設備

4.7.5 在 5.25-5.35 赫茲頻帶內操作之無線資訊傳輸設備，限於室內使用。

4.7.6 無線資訊傳輸設備須忍受合法通信之干擾且不得干擾合法通信；如造成干擾，應立即停用，俟無干擾之虞，始得繼續使用。

4.7.7 無線資訊傳輸設備的製造廠商應確保頻率穩定性，如依製造廠商使用手冊上所述正常操作，發射的信號應維持於操作頻帶中。

202691

English Translation

Low-power Radio-frequency Devices Technical Specifications

4.7 Unlicensed National Information Infrastructure

4.7.5 Within the 5.25–5.35 GHz band, U-NII devices will be restricted to indoor operations to reduce any potential for harmful interference to co-channel MSS operations.

4.7.6 The U-NII devices shall accept any interference from legal communications and shall not interfere the legal communications. If interference is caused, the user must stop operating the device immediately and can't re-operate it until the harmful interference is clear.

4.7.7 Manufacturers of U-NII devices are responsible for ensuring frequency stability such that an emission is maintained within the band of operation under all conditions of normal operation as specified in the user manual.

Operation of Cisco Catalyst Access Points in Brazil

This section contains special information for operation of Cisco Catalyst access points in Brazil.

Access Point Models	Certification Number
C9105AXW-Z	
C9105AXW-EWC-Z	02828-21-01086
C9105AXWT-Z	

Figure 17 Brazil Regulatory Information



Portuguese Translation

Este equipamento não tem direito à proteção contra interferência prejudicial e não pode causar interferência em sistemas devidamente autorizados.

English Translation

This equipment is not entitled to the protection from harmful interference and may not cause interference with duly authorized systems.

Declaration of Conformity Statements

All the Declaration of Conformity statements related to this product can be found at the following location:
<http://www.ciscofax.com>

Communications, Services, and Additional Information

- To receive timely, relevant information from Cisco, sign up at [Cisco Profile Manager](#).
- To get the business impact you're looking for with the technologies that matter, visit [Cisco Services](#).
- To submit a service request, visit [Cisco Support](#).
- To discover and browse secure, validated enterprise-class apps, products, solutions and services, visit [Cisco Marketplace](#).
- To obtain general networking, training, and certification titles, visit [Cisco Press](#).
- To find warranty information for a specific product or product family, access [Cisco Warranty Finder](#).

Cisco Bug Search Tool

[Cisco Bug Search Tool](#) (BST) is a web-based tool that acts as a gateway to the Cisco bug tracking system that maintains a comprehensive list of defects and vulnerabilities in Cisco products and software. BST provides you with detailed defect information about your products and software.

© 2022–2023 Cisco Systems, Inc. All rights reserved.

