

Owner's Manual

Hospital-Grade USB Charging Station Cart with Anti-Microbial Coating and UV Light

Model: CSC32USBWHG

Table of Contents

1. Important Safety Instructions	2	6. Ultraviolet Light Operation	6
2. Overview	3	7. Specifications	7
3. Feature Identification	3	8. Storage, Service and Cleaning	7
4. Setup	4	9. Warranty and Product Registration	8
4.1 Installing the Handle Bracket and Power Cord Manager	4	Español	9
4.2 Adjusting Storage Shelf Dividers	4	Français	17
4.3 Powering the USB Charger/Hub Unit	4		
4.4 Door Locks	4		
5. 32-Port USB Charger/Hub	5		
5.1 USB Charger/Hub Features	5		
5.2 Connecting Devices to the USB Charger/Hub	5		
5.3 Connecting a Computer to the USB Charger/Hub	6		

WARRANTY REGISTRATION

Register your product today and be automatically entered to win an ISOBAR® surge protector in our monthly drawing!

triplite.com/warranty



Manufacturing Excellence.

1111 W. 35th Street, Chicago, IL 60609 USA • triplite.com/support

Copyright © 2020 Tripp Lite. All rights reserved.

1. Important Safety Instructions



SAVE THESE INSTRUCTIONS

This manual contains instructions and warnings that must be followed during the installation and operation of the product described in this manual. Failure to comply may invalidate the warranty and cause property damage or personal injury.



WARNING!

- The charging station is intended to sanitize mobile devices and non-critical medical devices. The subsequent use of the devices disinfected by the charging station is the sole responsibility of the user.
- Non-protected eyes or skin should never be exposed directly to the ultraviolet light.
- Ultraviolet (UVC) bulbs contain mercury and must be properly recycled or disposed of as hazardous waste in accordance with local, state and federal regulations.
- Only Tripp Lite-approved replacement UVC bulbs should be used in the device.
- Only qualified personnel should perform UVC bulb replacement. Take precautions with broken UVC bulbs to avoid inhalation, ingestion or contact with eyes or skin. Refer to your local codes for disposal requirements.
- Do not bypass any of the safety precautions built into the device. Failure to comply may result in exposing skin to the UV light. Prolonged skin exposure may generate redness and a sunburn-like condition.
- The charging station should not be operated by children.
- Do not remove any warnings, cautions or descriptive labeling from the charging station.

USB Charger/Hub Unit:

- To remove the USB Charger/Hub from the supply mains, the power cord serves as a disconnect device.
- If any of the following situations arise, schedule an appointment with a service technician to have your equipment inspected:
 - The equipment has been exposed to moisture
 - The equipment has been dropped and damaged
 - The equipment shows obvious signs of breakage
 - The equipment is not functioning properly or is not functioning according to the instructions described in this Owner's Manual
- Use of this equipment in life support applications where failure of this equipment can reasonably be expected to cause the failure of the life support equipment or to significantly affect its safety or effectiveness is not recommended.

Charging Station Cabinet:

- Keep the charging station in a controlled indoor environment away from moisture, temperature extremes, flammable liquids and gasses, conductive contaminants, dust and direct sunlight.
- Leave adequate space around the charging station for proper ventilation. Do not block, cover or insert objects into the charging station's external ventilation openings.
- The charging station is extremely heavy. Use caution when handling the charging station. Do not attempt to unpack it unassisted. Use a mechanical device such as a forklift or pallet jack to move the charging station in the shipping container.
- Do not place containers of liquid or stack items on the cabinet.
- Inspect the shipping container and the charging station for shipping damage. Do not use the charging station if it is damaged.
- Use caution when cutting packing materials. The charging station could be scratched, causing damage not covered by the warranty.
- Save all packing materials for later use. Repacking and shipping the charging station cabinet or equipment without the original packing materials may cause product damage that will void the warranty.

For Mobile Applications:

- The charging station comes with four pre-installed locking/swivel casters.
- Always use the included handle when moving the charging station (see **section 4.1: Installing the Handle Bracket and Power Cord Manager** for more information).
- When moving the charging station cabinet, always push it from behind; never pull it toward you.
- A rolling charging station can cause personal injury and property damage if not properly supervised. If rolling the charging station down a ramp is required, use extreme caution. Do not attempt to use ramps that have a slope grade greater than 12%.

2. Overview

The hospital-grade charging station is an all-in-one solution for sanitizing, storing and charging for up to 32 devices.

The unit's built-in ultraviolet lights help disinfect electronic devices at the touch of a button. The UV lights destroy most microbes on the devices without the use of damaging heat, liquids or chemicals.

The surface of the charging station is protected by a patented antimicrobial coating with EPA-registered and FDA-compliant silver ionic technology. The antimicrobial protection is 99.9% effective in inhibiting bacteria and viruses, such as C. diff and MRSA. The coating meets the requirements of JIS Z 2801:2000, an international standard for evaluating efficacy in antimicrobial products.

With four pre-installed locking/swivel casters and an attachable, reversible handle accessory, the charging station is ideal for mobile applications. To prevent theft and device tampering, your charging station enclosure comes equipped with locking steel doors.

3. Feature Identification

- 1 Locking Split Doors
- 2 Adjustable Storage Shelves (Holds up to 16 Devices per Shelf)
- 3 Blanking Panels (Removable)
- 4 Reversible Handle
- 5 Swivel/Locking Casters
- 6 Power Cord Manager
- 7 Power Cord Access Holes (1 Located on Each Side)
- 8 5-15P HG Hospital-Grade Input Plug with 10 ft. Cord
- 9 Padlock Hasp (Lock Not Included)
- 10 UV Lamps
- 11 Start Button and LED Status Indicators

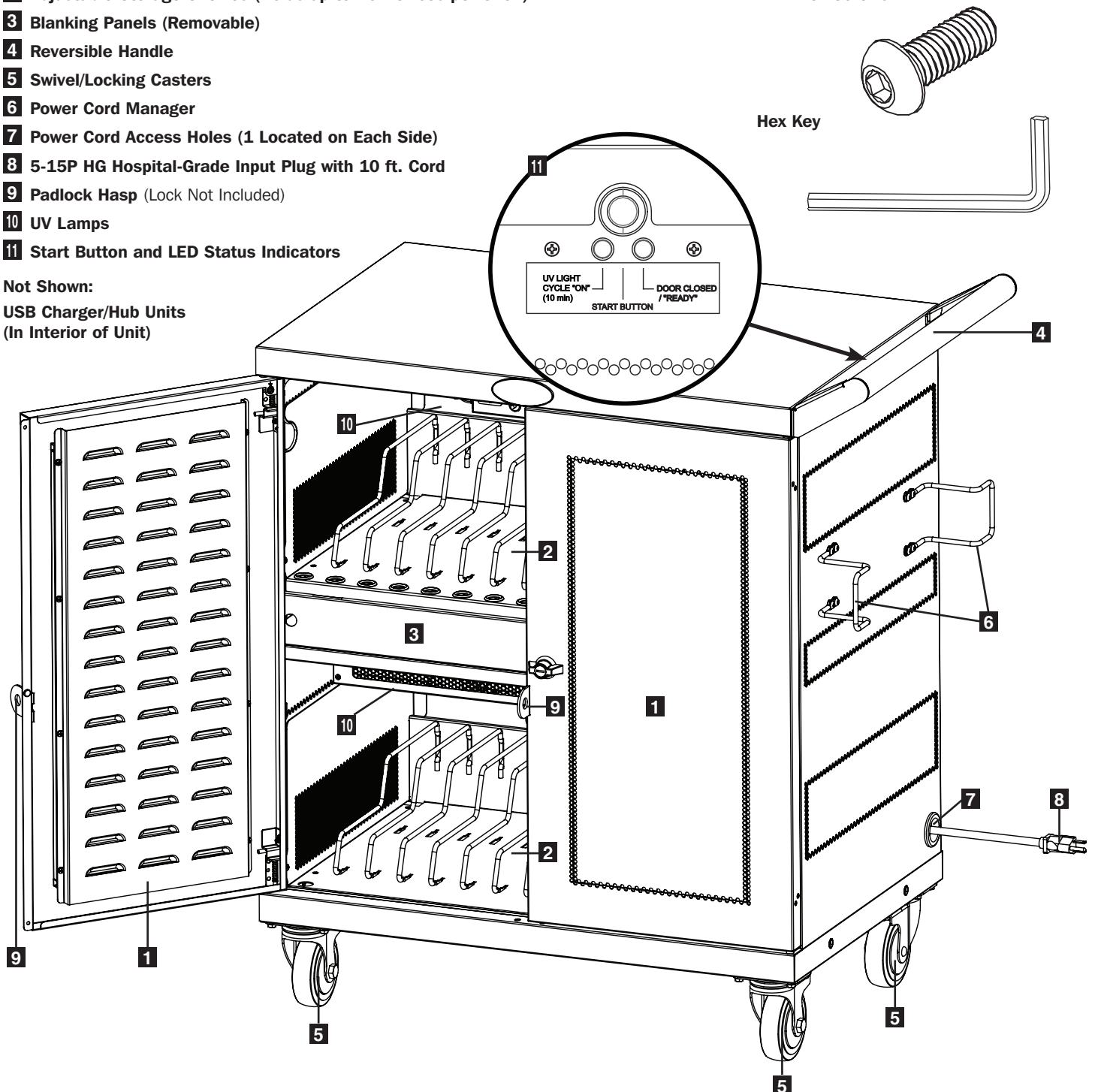
Not Shown:

USB Charger/Hub Units
(In Interior of Unit)

Included Accessory Hardware

12 x Hex Screws

Hex Key



4. Setup



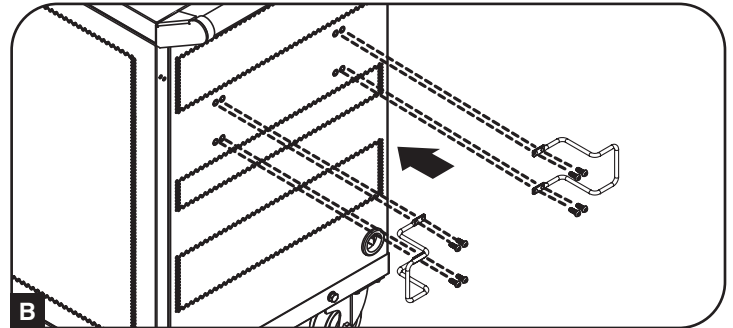
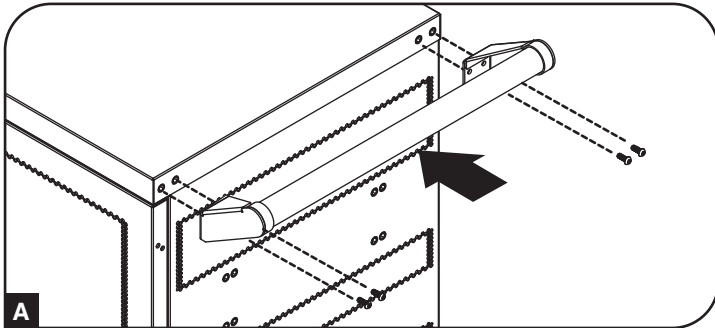
Caution! Read All Instructions and Warnings Before Installation!



Warning: Charging stations can be extremely heavy. Do not attempt to unpack the charging station without assistance. Follow the unpacking instructions document that shipped with this product before proceeding with setup. Use extreme caution when handling the charging station and be sure to follow all handling and installation instructions. Do not attempt to install equipment without first stabilizing the charging station.

4.1 Installing the Handle Bracket and Power Cord Manager

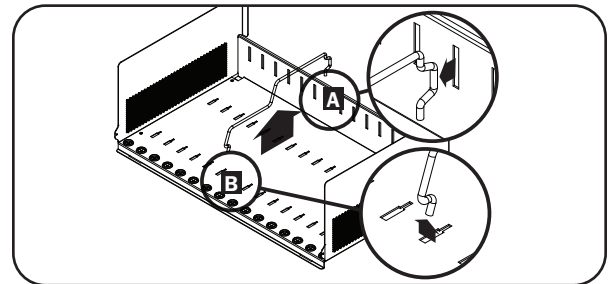
To install the handle bracket, use the included hex key tool to attach four (4) hex screws to the charging station cabinet **A**. To install the cord manager, use the same hex key tool to secure the eight (8) hex screws that attach the cord manager brackets (four per bracket) to the charging station cabinet **B**.



4.2 Adjusting Storage Shelf Dividers

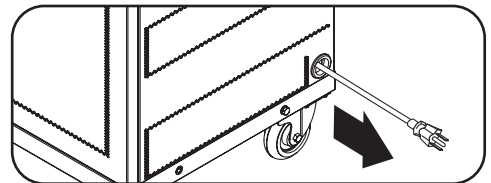
Your charging station comes with two storage shelves with adjustable dividers that can each accommodate up to 16 personal electronic devices.

Remove any personal electronic devices stored on the shelf tray. Then remove the blanking panel. To remove the shelf tray from the cabinet, push the shelf tray forward to disengage from the mounting hook, then pull the tray up and out. Once the shelf is removed, remove or rearrange a spring-wire divider by first pulling it gently forward to disengage it from the rear end **A**, then pull it up from the front of the tray **B**. Repeat as necessary for additional shelf dividers.



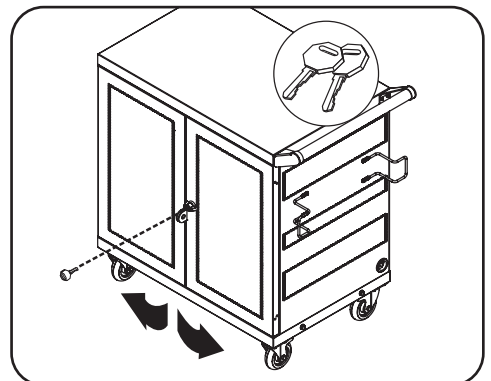
4.3 Powering the USB Charger/Hub Unit

With the bottom blanking panel removed, find the USB Charger/Hub unit's input plug and cable located in the charging station's bottom compartment, then push the input plug through one of the cable access hole grommets located on either side of the charging station cabinet (using the cable access hole on the same side as the power cord manager is recommended). Plug the power cord into the nearest 3-prong, grounded wall outlet and reattach the blanking panel to the unit.



4.4 Door Locks

The split doors contain a lock that is accessible with the included keys.



5. 32-Port USB Charger/Hub

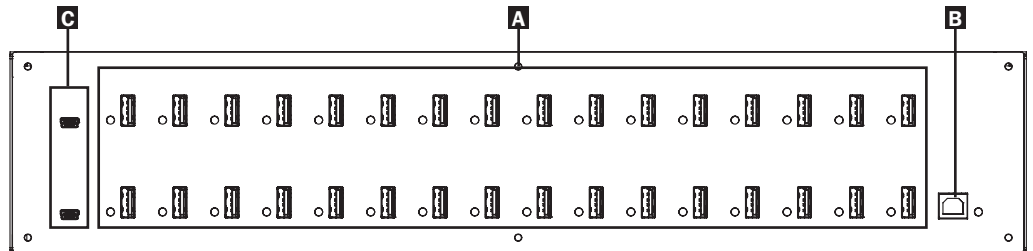
5.1 USB Charger/Hub Features

- Professional-grade USB charger/hub charges and syncs up to 32 USB devices, including iPad®, iPod®, iPhone®, and Android™ tablets and smartphones.
- Provides each USB port with an optimum charge level for a particular device (up to 2.4 amps).
- Allows syncing to be performed with any device designed for USB data communications, per compatible file management software.
- Syncs Apple® devices via iTunes® software or Apple Configurator.
- Mini-USB Firmware Upgrade Port enables future software upgrades to support newer devices.
- 1U housing can be configured for professional, educational or personal installations.
- IEC C14 inlet makes power connections easy, using the dedicated region power supply cords (included).

A 2.4A USB Device Ports with LED Indicator Lights (32 total)

B Computer Sync Port

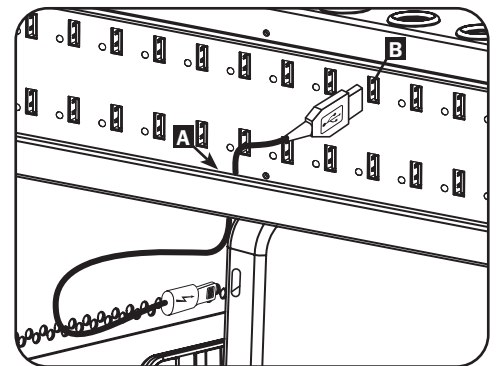
C Firmware Upgrade Ports



5.2 Connecting Devices to the USB Charger/Hub

Each storage shelf features 16 strain relief bushings that prevent the USB cable's device connectors from slipping through the bushing **A**. Using a user-supplied or device manufacturer's shielded USB cable, connect the USB cable to the device to be charged. Then pass the cable end through the strain relief bushing on the storage shelf and connect the USB connector to a USB charging port **B**. Repeat for all devices.

Tripp Lite offers individual and 10-pack cables for Apple® devices using USB to 30-Pin or USB to Lightning™ cables, as well as individual and 10-pack cables for USB 3.0 or 2.0 devices using USB A (male) to 5-Pin Micro B (male) cables.



Cable Type	Individual Cable Model Number	10-Pack Cable Model Number
Apple USB to 30-Pin Connector, 10 in.	M110-10N-BK	M110-10N-BK-10
Apple USB to 30-Pin Connector, 3 ft.	M110-003-WH	—
Apple USB to 8-Pin Lightning Connector, 10 in.	M100-10N-BK	M100-10N-BK-10
Apple USB to 8-Pin Lightning Connector, 3 ft.	M100-003-BK M100-003-WH	—
Apple USB to 8-Pin Lightning Connector, 6 ft.	M100-006-BK M100-006-WH	—
Apple USB to 8-Pin Lightning Connector, 10 ft.	M100-010-BK M100-010-WH	—
USB 3.0 SuperSpeed A (Male) to 5-Pin Micro-B (Male), 1 ft.	U326-001-BK	U326-001-BK-10
USB 3.0 SuperSpeed A (Male) to 5-Pin Micro-B (Male), 3 ft.	U326-003 U326-003-BK	—
USB 3.0 SuperSpeed A (Male) to 5-Pin Micro-B (Male), 10 ft.	U326-010	—
USB 2.0 Reversible A (Male) to 5-Pin Micro-B (Male), 1 ft.	UR050-001*	UR050-001-10*
USB 2.0 Reversible A (Male) to 5-Pin Micro-B (Male), 3 ft.	UR050-003* UR050-003-WH*	—
USB 2.0 Reversible A (Male) to 5-Pin Micro-B (Male), 6 ft.	UR050-006* UR050-006-SLIM*	—
USB 2.0 Reversible A (Male) to 5-Pin Micro-B (Male), 10 ft.	UR050-010*	—

* Features a reversible USB-A (male) connector for simplified installations.

Visit triplite.com for more information on our selection of premium USB cables.

5. 32-Port USB Charger/Hub

5.3 Connecting a Computer to the USB Charger/Hub

In addition to device charging, the USB Charger/Hub is equipped with a hub function that syncs devices and their respective software applications via a connected computer. To enable the hub function, use the included USB cable to connect the USB-B connector to the unit's Computer Sync Port and the USB-A connector to a computer's USB port.

Note: When a computer connection is established and multiple devices are connected to the USB Charger/Hub, the charge rate will reduce during syncing and resume to the normal charge rate upon completion.

Note: The Firmware Upgrade Port requires a mini-USB connection (cable not included).

6. UV Light Operation

Overview

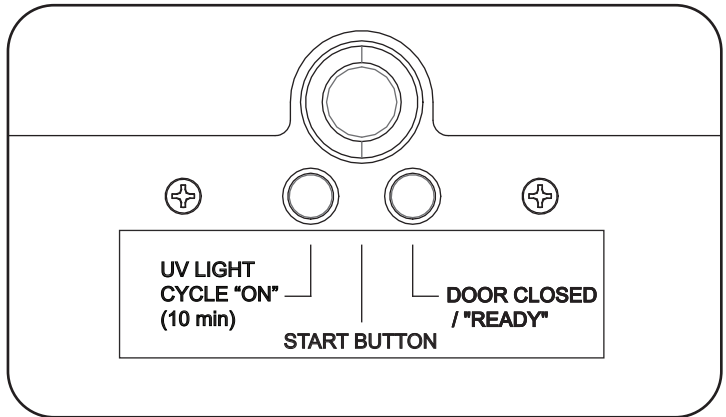
This product is designed to help disinfect the surfaces of hand-held devices, such as tablets and other shareable systems. Bacteria and viruses transmitted via the hands of multiple individuals sharing the stored devices will be reduced. The result is an improved level of shared-system hygiene. The ultraviolet lamps within this unit emit UV light at a frequency proven effective in arresting microorganisms such as viruses, bacteria, yeast and molds. This process either destroys the microorganism or neutralizes its ability to reproduce. The unit features a 10-minute sanitizing cycle.

Usage

Once the user opens and closes the doors on the unit, the internal timer resets. The timer cycles for 10 minutes when the "START" button is pressed.

1. Open the door of the CSC32USBWHG Charging Station.
2. Insert devices and ensure the unit is plugged in.
3. Close the door. The "DOOR CLOSED / READY" LED will illuminate. Press the "START" button and the UV lights will turn on automatically.
4. If the door is opened before the timer finishes its 10-minute cycle, the lights will turn off and the timer will be reset for the next sanitizing cycle.

Note: Both charging station doors must be closed before the start button is pressed. The UV lights will not turn on if either door is open. This helps ensure non-protected eyes or skin are never exposed directly to UV light.



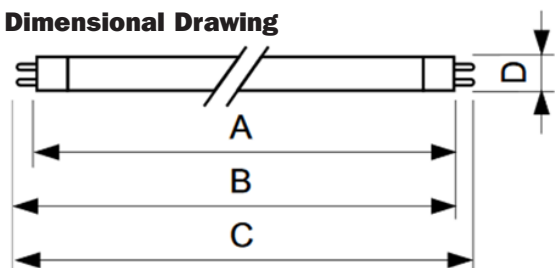
Maintenance and Troubleshooting

- Check that the lamp connector is securely attached to lamp.
- Check that the fuse is in good working order. Replace if necessary.
- Check that proper power is being supplied to the device and that the switch lights when turned on.
- Lamps should be cleaned every six months to remove any dust accumulation on the bulbs that might reduce the effectiveness of the UVC light.
- Check if switch is working properly by opening and closing the cabinet doors and see the light turning off/on. The timer should operate for 10 minutes before shutting off.

Warnings and Safety

- A broken UV lamp is extremely unlikely to have any negative impact on your health. If a lamp breaks, ventilate the room for 30 minutes and remove the parts while wearing gloves. Put the parts in a sealed plastic bag and take it to your local waste facility for recycling. Do not use a vacuum cleaner.
- **CAUTION!** The lamps are a Risk Group 3 Ultra Violet product. These lamps emit high-power UV radiation that can cause severe injury to the skin and eyes. Avoid skin and eye exposure to unshielded product. Use only in an enclosed environment that shields users from radiation.

Dimensional Drawing



Product	A (max.)	B (max.)	B (min.)	C (max.)	D (max.)
TUV 8W FAM/10X25BOX	288.3 mm	295.4 mm	293 mm	302.5 mm	16 mm

7. Specifications

Model	CSC32USBWHG
Dimensions (H x W x D)	36.1 x 34.8 x 20.2 in. / 917 x 884 x 513 mm
Unit Weight	130.7 lb. / 59 kg
Load Capacity	200 lb. / 90 kg Stationary or Rolling
Charger/Hub Ports	32 x USB 2.0 A (Female) 1 x USB 2.0 B (Female) 2 x USB 2.0 Mini (Female)
Transmission Speed	Up to 480 Mbps
Power Requirement	Input: 100-240V, 2.5A, 50/60 Hz Output: 5.0V, 2.4A Max (per USB port)
Operating Temperature	32° to 104° F / 0° to 40° C
Operating Humidity	5 to 95% RH, Non-Condensing
Number of Charger/Hub Units	2
Charger/Hub Dimensions per Unit (H x W x D)	1.75 x 17.5 x 9.5 in. / 45 x 445 x 240 mm
Enclosure Material	Metal

Specifications may be subject to change without further notice.

8. Storage, Service and Cleaning

Storage

The enclosure should be stored in a controlled indoor environment away from moisture, temperature extremes, flammable liquids and gasses, conductive contaminants, dust and direct sunlight. Store the enclosure in its original shipping container if possible.

Service

The enclosure is covered by the limited warranty described in this manual. For more information, visit tripplite.com/support.

Cleaning

Before cleaning, always power off the charging station by unplugging it from its AC source. Dampen a clean, lint-free cloth with water and wipe down the unit, as necessary. Allow the surface area to dry before plugging in the unit.

Note: Avoid using abrasive cloths, solvents or aerosol sprays to clean the charging station; doing so can damage the unit.

9. Warranty and Product Registration

2-Year Limited Warranty

Seller warrants this product, if used in accordance with all applicable instructions, to be free from original defects in material and workmanship for a period of 2 years from the date of initial purchase. If the product should prove defective in material or workmanship within that period, Seller will repair or replace the product, at its sole discretion.

THIS WARRANTY DOES NOT APPLY TO NORMAL WEAR OR TO DAMAGE RESULTING FROM ACCIDENT, MISUSE, ABUSE OR NEGLIGENCE. SELLER MAKES NO EXPRESS WARRANTIES OTHER THAN THE WARRANTY EXPRESSLY SET FORTH HEREIN. EXCEPT TO THE EXTENT PROHIBITED BY APPLICABLE LAW, ALL IMPLIED WARRANTIES, INCLUDING ALL WARRANTIES OF MERCHANTABILITY OR FITNESS, ARE LIMITED IN DURATION TO THE WARRANTY PERIOD SET FORTH ABOVE; AND THIS WARRANTY EXPRESSLY EXCLUDES ALL INCIDENTAL AND CONSEQUENTIAL DAMAGES. (Some states do not allow limitations on how long an implied warranty lasts, and some states do not allow the exclusion or limitation of incidental or consequential damages, so the above limitations or exclusions may not apply to you. This warranty gives you specific legal rights, and you may have other rights which vary from jurisdiction to jurisdiction).

WARNING: The individual user should take care to determine prior to use whether this device is suitable, adequate or safe for the use intended. Since individual applications are subject to great variation, the manufacturer makes no representation or warranty as to the suitability or fitness of these devices for any specific application.

Product Registration

Visit triplite.com/warranty today to register your new Tripp Lite product. You'll be automatically entered into a drawing for a chance to win a FREE Tripp Lite product!*

* No purchase necessary. Void where prohibited. Some restrictions apply. See website for details.

Regulatory Compliance Identification Numbers

For the purpose of regulatory compliance certifications and identification, your Tripp Lite product has been assigned a unique series number. The series number can be found on the product nameplate label, along with all required approval markings and information. When requesting compliance information for this product, always refer to the series number. The series number should not be confused with the marketing name or model number of the product.

FCC Notice, Class B

This device complies with part 15 of the FCC Rules. Operation is subject to the following two conditions: (1) This device may not cause harmful interference, and (2) this device must accept any interference received, including interference that may cause undesired operation.

Note: This equipment has been tested and found to comply with the limits for a Class B digital device, pursuant to part 15 of the FCC Rules. These limits are designed to provide reasonable protection against harmful interference in a residential installation. This equipment generates, uses and can radiate radio frequency energy and, if not installed and used in accordance with the instructions, may cause harmful interference to radio communications. However, there is no guarantee that interference will not occur in a particular installation. If this equipment does cause harmful interference to radio or television reception, which can be determined by turning the equipment off and on, the user is encouraged to try to correct the interference by one or more of the following measures:

- Reorient or relocate the receiving antenna.
- Increase the separation between the equipment and receiver.
- Connect the equipment into an outlet on a circuit different from that to which the receiver is connected.
- Consult the dealer or an experienced radio/TV technician for help.

Any changes or modifications to this equipment not expressly approved by Tripp Lite could void the user's authority to operate this equipment.

WEEE Compliance Information for Tripp Lite Customers and Recyclers (European Union)



Under the Waste Electrical and Electronic Equipment (WEEE) Directive and implementing regulations, when customers buy new electrical and electronic equipment from Tripp Lite they are entitled to:

- Send old equipment for recycling on a one-for-one, like-for-like basis (this varies depending on the country)
- Send the new equipment back for recycling when this ultimately becomes waste

Tripp Lite has a policy of continuous improvement. Specifications are subject to change without notice. Photos and illustrations may differ slightly from actual products.



Manual del Propietario

Estación Móvil de Carga USB de Grado Hospital con Recubrimiento Antimicrobiano y Luz Ultra Violeta

Modelo: CSC32USBWHG

Índice

1. Instrucciones de Seguridad Importantes	10	5. Cargador / Hub USB de 32 Puertos	13
2. Descripción General	11	5.1 Características del Cargador / Hub USB	13
3. Identificación de Características	11	5.2 Conexión de Dispositivos al Cargador / Hub USB	13
4. Ensamble	12	5.3 Conexión de una Computadora al Cargador / Hub USB	14
4.1 Instalación del Soporte de la Manija y Administrador del Cable de Alimentación	12	6. Operación con Luz Ultravioleta	14
4.2 Ajuste de los Divisores de Estante de Almacenamiento	12	7. Especificaciones	15
4.3 Alimentación de la Unidad de Cargador / Hub USB	12	8. Almacenamiento, Servicio y Limpieza	15
4.4 Cerraduras de las Puertas	12	9. Garantía	16
		English	1
		Français	17



1111 W. 35th Street, Chicago, IL 60609 EE UU • triplite.com/support

Copyright © 2020 Tripp Lite. Todos los derechos reservados.

1. Instrucciones de Seguridad Importantes



CONSERVE ESTAS INSTRUCCIONES

Este manual contiene instrucciones y advertencias que deben observarse durante la instalación y operación del producto descrito en este manual. El no hacerlo puede invalidar la garantía y causar daños a la propiedad o lesiones personales.



¡ADVERTENCIA!

- La estación de carga está diseñada para sanitizar dispositivos móviles y dispositivos médicos no críticos. El uso posterior de los dispositivos desinfectados por la estación de carga es responsabilidad exclusiva del usuario.
- Los ojos o la piel sin protección nunca deben ser expuestos directamente a la luz ultravioleta.
- Los focos ultravioleta [UVC] contienen mercurio y deben reciclarse o eliminarse adecuadamente como desechos peligrosos de conformidad con las normas locales, estatales y federales.
- Solo deben usarse en el dispositivo los focos UVC de reemplazo aprobados por Tripp Lite.
- Solo personal calificado debe realizar el reemplazo de los focos UVC. Tome precauciones con los focos UVC rotos para evitar inhalación, ingestión o contacto con ojos o piel. Para conocer los requisitos en cuanto a eliminación, consulte los códigos locales.
- No omita ninguna de las precauciones de seguridad integradas en el dispositivo. El incumplimiento puede resultar en la exposición de la piel a la luz Ultra Violeta. La exposición prolongada a la piel puede generar enrojecimiento y una condición similar a la quemadura solar.
- La estación de carga no debe ser operada por niños.
- No retire ninguna advertencia, precauciones o etiquetado descriptivo de la estación de carga.

Unidad de Cargador/Hub USB:

- Para retirar el Cargador / Hub USB de la alimentación principal, el cable de alimentación sirve como dispositivo de desconexión.
- Si surge cualquiera de las siguientes situaciones, programe una cita para que un técnico de servicio inspeccione su equipo:
 - El equipo ha estado expuesto a humedad
 - El equipo se ha caído o dañado
 - El equipo muestra obvios signos de rotura
 - El equipo no funciona correctamente o no funciona de acuerdo a las instrucciones descritas en el presente Manual del Propietario
- No se recomienda el uso de este equipo en aplicaciones de soporte de vida en donde razonablemente se pueda esperar que la falla de este equipo provoque la falla del equipo de soporte de vida o afecte significativamente su seguridad o efectividad.

Gabinete de Estación de Carga:

- Mantenga la estación de carga en un entorno interior controlado lejos de humedad excesiva, temperaturas extremas, líquidos y gases inflamables, contaminantes conductores, polvo o luz solar directa.
- Deje un espacio adecuado alrededor de la estación de carga para que reciba una ventilación apropiada. No bloquee, cubra ni coloque objetos en las aberturas externas de ventilación de la estación de carga.
- La estación de carga es muy pesada. Tenga cuidado cuando maneje la estación de carga. No intente desempacarla ni instalarla sin ayuda. Utilice un dispositivo mecánico como un montacargas o gato para tarimas para mover la estación de carga en el contenedor de embarque.
- No coloque recipientes con líquidos ni apile artículos sobre el gabinete.
- Inspeccione el contenedor de embarque y la estación de carga para detectar daños en el embarque. No utilice la estación si está dañada.
- Tenga cuidado cuando corte el material de empaque. La estación de carga podría haber sido rasguñada o rayada, causando daños no cubiertos por la garantía.
- Guarde todo el material de empaque para uso posterior. Volver a empacar y enviar el equipo o el gabinete de la estación de carga sin el material de empaque original puede ocasionar daños al producto que anularían la garantía.

Para Aplicaciones Móviles:

- La estación de carga incluye cuatro ruedas giratorias con bloqueo preinstaladas.
- Cuando mueva la estación de carga, siempre utilice la manija incluida (para obtener más información, consulte la **sección 4.1: Instalación del Soporte de la Manija y el Administrador del Cable de Alimentación**).
- Cuando mueva el gabinete de la estación de carga, siempre empújelo desde la parte posterior; nunca lo jale hacia usted.
- Una estación de carga rodante puede ocasionar lesiones personales y daños a la propiedad si no es supervisada correctamente. Tenga mucho cuidado si necesita utilizar una rampa para trasladar la estación de carga hacia abajo. No intente usar rampas que tengan una pendiente superior al 12 %.

2. Descripción General

La estación de carga de grado hospital es una solución integral para sanitizado, almacenamiento y carga de hasta 32 dispositivos.

Las luces ultravioleta incorporadas de la unidad ayudan a desinfectar dispositivos electrónicos con el toque de un botón. Las luces UV destruyen la mayoría de los microbios en los dispositivos sin el uso de calor, líquidos o químicos dañinos.

La superficie de la estación de carga está protegida por un recubrimiento antimicrobiano patentado registrado por EPA y tecnología de iones de plata que cumple con la FDA. La protección antimicrobiana es 99.9% eficaz para inhibir bacterias y virus como C. diff y MRSA. El recubrimiento cumple con los requisitos de JIS Z 2801:2000, un estándar internacional para la evaluación de la eficacia de productos antimicrobianos.

Con cuatro ruedas giratorias con bloqueo preinstaladas y una manija acoplable y reversible, la estación de carga es ideal para aplicaciones móviles. Para evitar el robo y la manipulación indebida del dispositivo, el gabinete de la estación de carga está equipado con puertas de acero con cerradura.

3. Identificación de Características

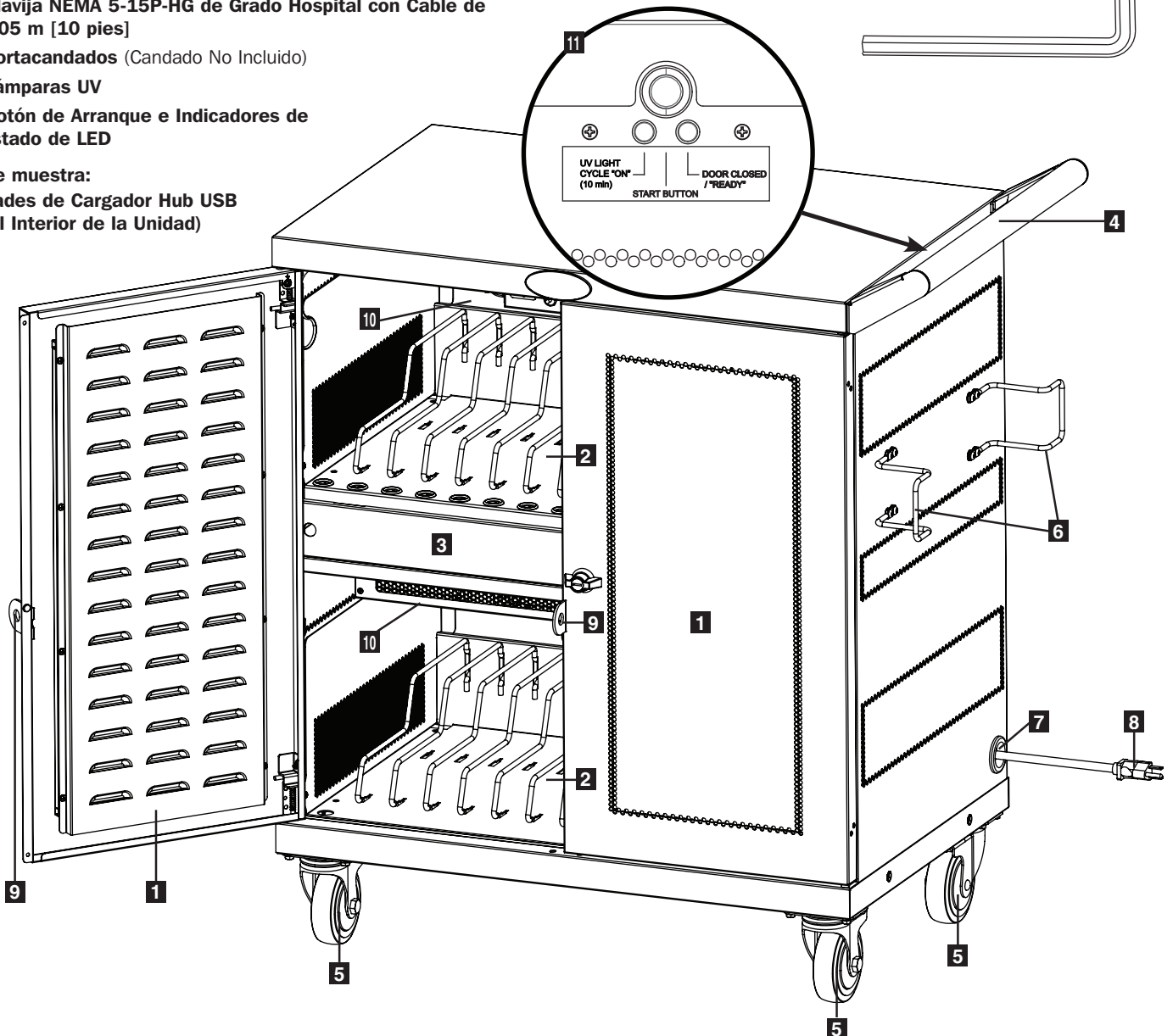
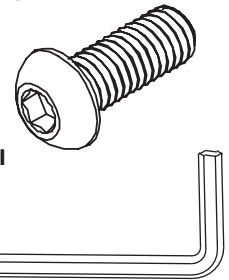
- 1 Puertas divididas con cerradura
- 2 Estantes de almacenamiento ajustables (con capacidad para almacenar hasta 16 dispositivos por estante)
- 3 Paneles obturadores (removibles)
- 4 Manija reversible
- 5 Ruedas giratorias con bloqueo
- 6 Administrador del Cable de Alimentación
- 7 Orificios de acceso del cable de alimentación (uno en cada lado)
- 8 Clavija NEMA 5-15P-HG de Grado Hospital con Cable de 3.05 m [10 pies]
- 9 Portacandados (Candado No Incluido)
- 10 Lámparas UV
- 11 Botón de Arranque e Indicadores de Estado de LED

No se muestra:
Unidades de Cargador Hub USB
(En el Interior de la Unidad)

Accesorios Incluidos

12 tornillos hexagonales

Llave Hexagonal



4. Ensamble



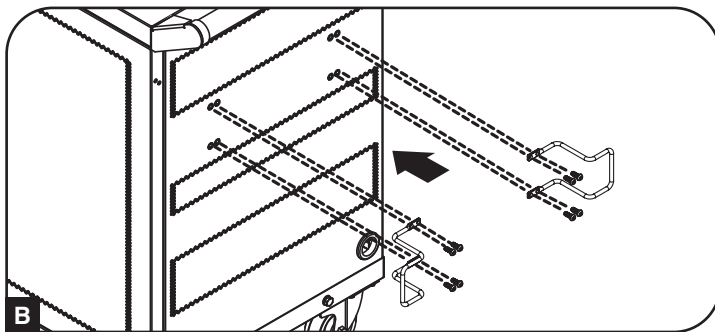
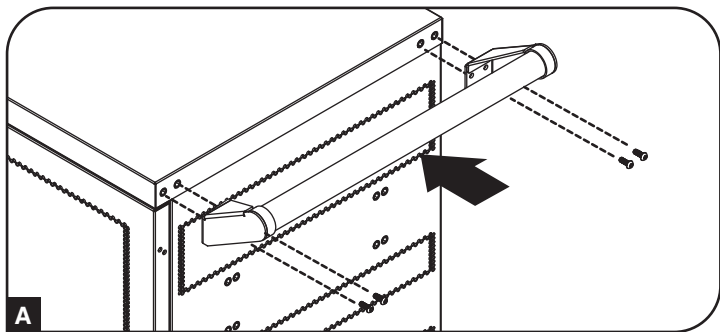
¡Precaución! ¡Lea todas las instrucciones y las advertencias antes de realizar la instalación!



Advertencia: Las estaciones de carga pueden ser muy pesadas. No trate de desempacar la estación de carga sin ayuda. Antes de proceder con la instalación, siga las instrucciones de desempaque incluidas en el documento que se envía junto con el producto. Tenga extrema precaución al manipular la estación de carga y asegúrese de seguir todas las instrucciones de manejo e instalación. No intente instalar los equipos sin estabilizar primero la estación de carga.

4.1 Instalación del Soporte de la Manija y el Administrador del Cable de Alimentación

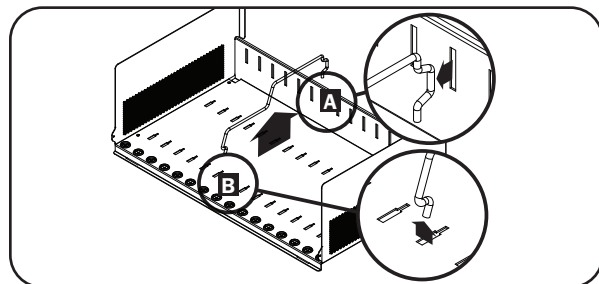
Para instalar el soporte de la manija, utilice la llave hexagonal incluida para colocar cuatro (4) tornillos hexagonales al gabinete de la estación de carga **A**. Para instalar el administrador del cable de alimentación, utilice la misma llave hexagonal para asegurar los ocho (8) tornillos hexagonales que unen los soportes del cable de alimentación (cuatro por soporte) al gabinete de la estación de carga **B**.



4.2 Ajuste de los Divisores de Estante de Almacenamiento

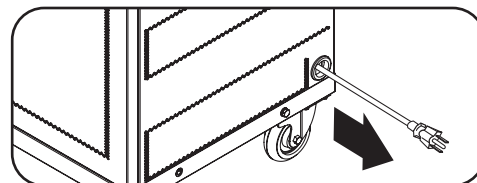
La estación de carga viene con dos estantes de almacenamiento con divisores ajustables, donde se pueden ubicar hasta 16 dispositivos electrónicos personales.

Retire primero cualquier dispositivo electrónico almacenado en el entrepaño. Luego retire el panel obturador. Para retirar el entrepaño de la repisa del gabinete, oprímalo hacia adelante para desacoplarlo del gancho de instalación, después jale el entrepaño hacia arriba y hacia afuera. Una vez retirada la repisa, retire o vuelva a acomodar un divisor de cables de resorte jalándolo primero hacia adelante para desengancharlo del extremo posterior **A**, entonces jale hacia arriba del frente de la charola **B**. Repítalo si es necesario para los divisores adicionales.



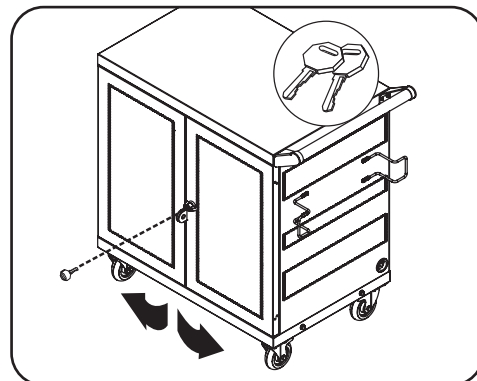
4.3 Alimentación de la Unidad de Cargador / Hub USB

Una vez que se ha retirado el panel obturador inferior, busque el cable y la clavija de entrada de la unidad de Cargador / Hub USB ubicados en el compartimiento inferior de la estación de carga, luego empuje la clavija a través de una de las perforaciones de acceso al cable ubicadas a ambos lados del gabinete de la estación de carga (se recomienda utilizar la perforación de acceso del cable que el administrador del cable de alimentación). Conecte el cable de alimentación en la toma en la pared de tres clavijas, debidamente aterrizada, más cercana y vuelva a colocar el panel obturador en la unidad.



4.4 Cerraduras de las Puertas

Las puertas divididas incluyen una cerradura que puede abrirse con las llaves incluidas.



5. Cargador / Hub USB de 32 Puertos

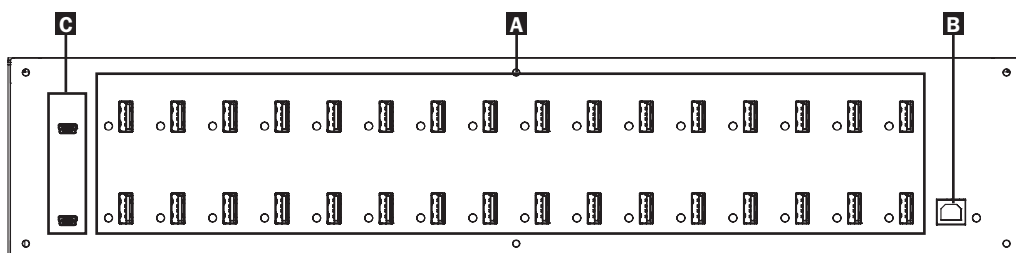
5.1 Características del Cargador / Hub USB

- El Cargador / Hub USB de grado profesional carga y sincroniza hasta 32 dispositivos USB, incluyendo iPad®, iPod®, iPhone® y tabletas y smartphones Android™.
- Proporciona a cada puerto USB un nivel de carga óptimo para un dispositivo en particular (hasta 2.4 Amperes).
- Permite realizar la sincronización para cualquier dispositivo diseñado para comunicaciones de datos por USB, mediante software compatible para administración de archivos.
- Sincroniza dispositivos Apple® mediante el software iTunes® o Configurador de Apple.
- El Puerto Mini-USB para Actualización de Firmware permite futuras actualizaciones de software para soportar los dispositivos más recientes.
- El alojamiento de 1U puede configurarse para instalaciones profesionales, educativas o personales
- La entrada IEC C14 hace fáciles las conexiones de alimentación, usando los cables de alimentación dedicados por región (incluidos).

A Puertos para Dispositivos con USB de 2.4A, con Indicadores LED (32 en total)

B Puerto de Sincronización de Computadora

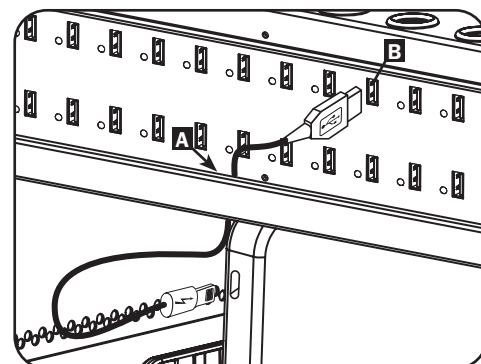
C Puertos para Actualización del Firmware



5.2 Conexión de Dispositivos al Cargador / Hub USB

Cada entrepaño de almacenamiento cuenta con 16 bujes relevadores de tensión que evitan que los conectores de dispositivos con cable USB se salgan por el buje **A**. Usando un cable USB blindado suministrado por el usuario o del fabricante del dispositivo, conecte el cable USB al dispositivo por cargar. Pase entonces el extremo del cable por el buje liberador de la tensión en el entrepaño de almacenamiento y conecte el conector USB a un puerto de carga USB **B**. Repita para todos los dispositivos

Tripp Lite ofrece cables individuales y en paquetes de 10 para dispositivos Apple® que usan cables USB a 30 Pines o USB a Lightning™, así como cables individuales y en paquetes de 10 para dispositivos USB 3.0 o 2.0 usando cables USB A (macho) a Micro B (macho) de 5 Pines.



Tipo de Cable	Número de Modelo de Cable Individual	Número de Modelo de Cable Paquete de 10
Conector Apple USB a 30 Pines, 25.4 cm [10"]	M110-10N-BK	M110-10N-BK-10
Conector Apple USB a 30 pines, 91 cm [3 pies]	M110-003-WH	—
Conector de Apple USB a Lightning de 8 Pines, 25.4 cm [10"]	M100-10N-BK	M100-10N-BK-10
Conector de Apple USB a Lightning de 8 Pines, 91 cm [3 pies]	M100-003-BK M100-003-WH	—
Conector de Apple USB a Lightning de 8 Pines, 1.83 m [6 pies]	M100-006-BK M100-006-WH	—
Conector de Apple USB a Lightning de 8 Pines, 3.05 m [10 pies]	M100-010-BK M100-010-WH	—
USB 3.0 SuperSpeed A (Macho) a Micro B de 5 Pines (Macho), 30.5 cm [1 pie]	U326-001-BK	U326-001-BK-10
USB 3.0 SuperSpeed A (Macho) a Micro B de 5 Pines (Macho), 91 cm [3 pies]	U326-003 U326-003-BK	—
USB 3.0 SuperSpeed A (Macho) a Micro B de 5 Pines (Macho), 3.05 m [10 pies]	U326-010	—
USB 2.0 Reversible A (Macho) a Micro B de 5 Pines (Macho), 30.5 cm [1 pie]	UR050-001*	UR050-001-10*
USB 2.0 Reversible A (Macho) a Micro B de 5 Pines (Macho), 91 cm [3 pies]	UR050-003* UR050-003-WH*	—
USB 2.0 Reversible A (Macho) a Micro B (Macho) de 5 Pines, 1.83 m [6 pies]	UR050-006* UR050-006-SLIM*	—
USB 2.0 Reversible A (Macho) a Micro B de 5 Pines (Macho), 3.05 m [10 pies]	UR050-010*	—

* Cuenta con un conector USB-A reversible (Macho) para instalaciones simplificadas.

Para más información sobre nuestra selección de cables USB premium, visite triplite.com.

5. Cargador / Hub USB de 32 Puertos

5.3 Conexión de una Computadora al Cargador / Hub USB

Además de la carga de dispositivos, el Cargador / Hub USB está equipado con una función de hub que sincroniza dispositivos y sus respectivas aplicaciones de software mediante una computadora conectada. Para habilitar la función del hub, use el cable USB incluido para conectar el conector USB-B al puerto de sincronización de computadora de la unidad y el conector USB-A al puerto USB de una computadora.

Nota: Cuando se ha establecido una conexión con una computadora y estén conectados múltiples dispositivos al Cargador / Hub USB, la tasa de carga se reducirá durante la sincronización y se restablecerá la tasa de carga normal una vez terminada ésta.

Nota: El puerto de Actualización de Firmware requiere una conexión mini-USB (cable no incluido).

6. Operación con Luz Ultra Violeta

Descripción General

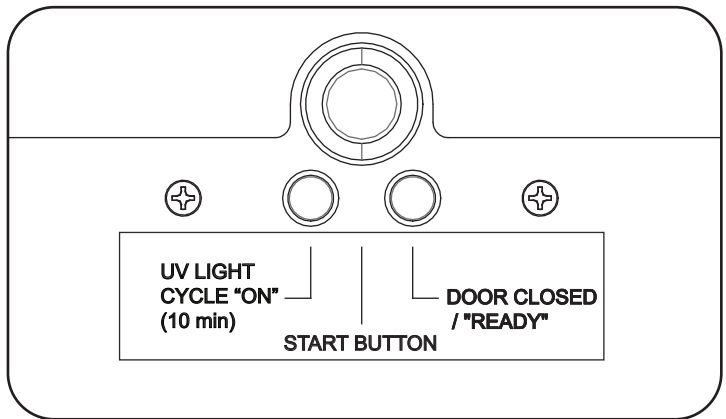
Este producto está diseñado para ayudar a desinfectar las superficies de dispositivos portátiles, como tabletas y otros sistemas compartibles. Se reducirán las bacterias y virus transmitidos a través de las manos de las distintas personas que comparten los dispositivos almacenados. El resultado es un mejor nivel de higiene del sistema compartido. Las lámparas ultravioleta dentro de esta unidad emiten luz UV a una frecuencia comprobada como eficaz en el incendio de microorganismos como virus, bacterias, levaduras y moldes. Este proceso destruye el microorganismo o neutraliza su capacidad de reproducción. La unidad cuenta con un ciclo de sanitizado de 10 minutos.

Uso

Una vez que el usuario abre y cierra las puertas de la unidad, se restablece el temporizador interno. El temporizador cicla por 10 minutos cuando se presiona el botón "START".

1. Abra la puerta de la Estación de Carga CSC32USBWHG.
2. Inserte los dispositivos y asegúrese de que la unidad esté enchufada.
3. Cierre la puerta. Se encenderá el LED "DOOR CLOSED / READY" [puerta cerrada / lista]. Presione el botón "START" y las luces UV se encenderán automáticamente.
4. Si la puerta está abierta antes de que el temporizador termine su ciclo de 10 minutos, las luces se apagarán y el temporizador se reiniciará para el siguiente ciclo de sanitizado.

Nota: Ambas puertas de la estación de carga deben cerrarse antes de oprimir el botón de arranque. Las luces UV no se encenderán si cualquiera de las puertas está abierta. Esto ayuda a garantizar que los ojos o la piel sin protección nunca estén expuestos directamente a la luz UV.



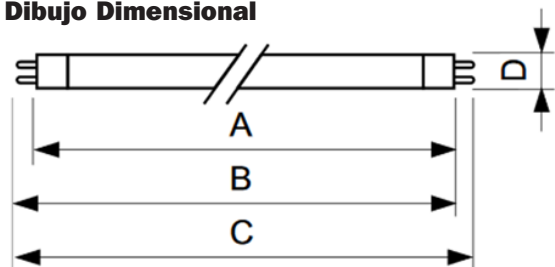
Mantenimiento y Solución de Problemas

- Compruebe que el conector de la lámpara esté firmemente conectado a la lámpara.
- Compruebe que el fusible esté en buen estado de funcionamiento. Reemplacelo si fuera necesario.
- Revise que se esté suministrando la energía adecuada al dispositivo y que el switch se ilumine al encender.
- Las lámparas deben limpiarse cada seis meses para eliminar cualquier acumulación de polvo en los focos que pueda reducir la eficacia de la luz UVC.
- Asegúrese que el switch esté funcionando correctamente abriendo y cerrando las puertas del gabinete y vea la luz apagando y encendiendo. El temporizador debe funcionar durante 10 minutos antes de apagarse.

Advertencias y Seguridad

- Es muy poco probable que una lámpara UV rota tenga un impacto negativo en su salud. Si se rompe una lámpara, ventile el cuarto por 30 minutos y retire las partes usando guantes. Coloque las partes en una bolsa de plástico sellada y llévelo a su instalación local de residuos para reciclado. No use una aspiradora.
- **¡PRECAUCIÓN!** Las lámparas son un producto Ultra Violeta de Riesgo Grupo 3. Estas lámparas emiten radiación UV de alta potencia que puede causar lesiones severas a la piel y ojos. Evite la exposición de la piel y los ojos al producto sin blindaje. Utilícelo solo en un entorno cerrado que proteja a los usuarios de la radiación.

Dibujo Dimensional



Producto	A (máx.)	B (máx.)	B (mín.)	C (máx.)	D (máx.)
TUV 8W FAM/10X25BOX	288.3 mm	295.4 mm	293 mm	302.5 mm	16 mm

7. Especificaciones

Modelo	CSC32USBWHG
Medidas (Al x An x Pr)	917 x 884 x 513 mm [36.1" x 34.8" x 20.2"]
Peso de la Unidad	59 kg [130.7 lb]
Capacidad de Carga	90 kg [200 lb] Estacionario o Rodante
Puertos de Cargador/Hub	32 x USB 2.0 A (Hembra) 1 x USB 2.0 B (Hembra) 2 x USB 2.0 Mini (Hembra)
Velocidad de Transmisión	Hasta 480 Mbps
Requerimientos de Energía	Entrada: 100V~240V, 2.5A, 50Hz / 60Hz Salida: 5.0V, 2.4A Máx (por Puerto USB)
Temperatura de Operación	0 °C a 40 °C [32 °F a 104 °F]
Humedad de Operación	HR de 5% a 95%, Sin Condensación
Número de Unidades de Cargador/Hub	2,
Dimensiones del Cargador / Hub por Unidad (Al x An x Pr)	45 x 445 x 240 mm [1.75" x 17.5" x 9.5"]
Material del Gabinete	Metal

Las especificaciones pueden estar sujetas a cambio sin previo aviso.

8. Almacenamiento, Servicio y Limpieza

Almacenamiento

El gabinete debe guardarse en un entorno interior controlado lejos de humedad excesiva, temperaturas extremas, líquidos y gases inflamables, contaminantes conductores, polvo o luz solar directa. De ser posible, almacene el gabinete en su contenedor de transporte original.

Servicio

El gabinete está cubierto por la garantía limitada descrita en el presente manual. Para más información, visite tripplite.com/support.

Limpieza

Antes de limpiar, siempre apague la estación de carga desconectándola de su fuente de CA. Humedezca un trapo limpio y sin pelusas con agua, y limpie la unidad según sea necesario. Permita que la superficie se seque antes de conectar la unidad.

Nota: Evite usar paños abrasivos, solventes o aerosoles para limpiar la estación de carga, ya que pueden dañarla.

9. Garantía

2 Años de Garantía Limitada

El vendedor garantiza este producto, si se usa de acuerdo con todas las instrucciones aplicables, de que está libre de defectos en material y mano de obra por un período de 2 años a partir de la fecha de compra inicial. Si el producto resulta defectuoso en material o mano de obra dentro de ese período, el vendedor reparará o reemplazará el producto a su entera discreción.

ESTA GARANTÍA NO SE APLICA AL DESGASTE NORMAL O A LOS DAÑOS QUE RESULTEN DE ACCIDENTES, USO INCORRECTO, USO INDEBIDO O NEGLIGENCIA. EL VENDEDOR NO OTORGA GARANTÍAS EXPRESAS DISTINTAS A LA ESTIPULADA EN EL PRESENTE. SALVO EN LA MEDIDA EN QUE LO PROHÍBAN LAS LEYES APLICABLES, TODAS LAS GARANTÍAS IMPLÍCITAS, INCLUIDAS TODAS LAS GARANTÍAS DE COMERCIALIZACIÓN O IDONEIDAD, ESTÁN LIMITADAS EN CUANTO A DURACIÓN AL PERÍODO DE GARANTÍA ESTABLECIDO; ASIMISMO, ESTA GARANTÍA EXCLUYE EXPRESAMENTE TODOS LOS DAÑOS INCIDENTALES E INDIRECTOS. (Algunos estados no permiten limitaciones en cuanto a la duración de una garantía y algunos estados no permiten la exclusión o limitación de daños incidentales o indirectos, de modo que es posible que las limitaciones anteriores no se apliquen a usted. Esta garantía le otorga derechos legales específicos y usted puede tener otros derechos que pueden variar de una jurisdicción a otra).

ADVERTENCIA: antes de usarlo, cada usuario debe tener cuidado al determinar si este dispositivo es adecuado o seguro para el uso previsto. Ya que las aplicaciones individuales están sujetas a gran variación, el fabricante no garantiza la adecuación de estos dispositivos para alguna aplicación específica.

Información de Cumplimiento con WEEE para Clientes y Recicladores de Tripp Lite (Unión Europea)



Según la Directiva de Residuos de Aparatos Eléctricos y Electrónicos (WEEE, por sus siglas en inglés) [Waste Electrical and Electronic Equipment] y regulaciones aplicables, cuando los clientes adquieren un nuevo equipo eléctrico y electrónico de Tripp Lite tienen el derecho a lo siguiente:

- Enviar el equipo viejo para fines de reciclaje bajo la modalidad de uno por uno, semejante por semejante (esto varía de un país a otro)
- Enviar el equipo nuevo para reciclaje una vez que finalmente sea un desecho

Tripp Lite tiene una política de mejora continua. Las especificaciones están sujetas a cambio sin previo aviso. Las fotografías e ilustraciones pueden diferir ligeramente de los productos reales.



Manuel de l'utilisateur

Chariot de station de chargement USB approuvé pour les hôpitaux avec revêtement antimicrobien et lumière UV

Modèle : CSC32USBWHG

Table des matières

1. Consignes de sécurité importantes	18	5. Chargeur/concentrateur USB à 32 ports	21
2. Vue d'ensemble	19	5.1 Caractéristiques du chargeur USB/concentrateur	21
3. Identification des caractéristiques	19	5.2 Raccordement des dispositifs au chargeur/concentrateur USB	21
4. Configuration	20	5.3 Raccordement d'un ordinateur au chargeur/concentrateur USB	22
4.1 Installation du support de poignée et du guide de cordon d'alimentation	20	6. Fonctionnement du rayonnement ultraviolet	22
4.2 Réglage des diviseurs de l'étagère de rangement	20	7. Caractéristiques techniques	23
4.3 Mise sous tension du chargeur USB/concentrateur	20	8. Entreposage, entretien et nettoyage	23
4.4 Verrous de porte	20	9. Garantie	24
		English	1
		Español	9



1111 W. 35th Street, Chicago, IL 60609 USA • tripplite.com/support

Droits d'auteur © 2020 Tripp Lite. Tous droits réservés.

1. Consignes de sécurité importantes



CONSERVEZ CES INSTRUCTIONS

Ce manuel contient des instructions et des avertissements qui doivent être suivis lors de l'installation et du fonctionnement du produit décrit dans ce manuel. Le non-respect peut annuler la garantie et causer des dommages à la propriété ou des blessures.



AVERTISSEMENT!

- La station de chargement est destinée à la désinfection des dispositifs mobiles et des dispositifs médicaux non critiques. L'utilisation subséquente des dispositifs ayant été désinfectés par la station de chargement relève de la responsabilité exclusive de l'utilisateur.
- Ne jamais exposer les yeux et la peau non protégés directement à la lumière ultraviolette.
- Les ampoules ultraviolettes (UVC) contiennent du mercure et doivent être correctement recyclées ou éliminées comme des déchets dangereux conformément à la réglementation locale, régionale et nationale.
- Utiliser uniquement des ampoules UVC de rechange approuvées par Tripp Lite.
- Le remplacement des ampoules UVC doit être confié uniquement à du personnel qualifié. Être prudent(e) avec les ampoules UVC brisées afin d'éviter toute inhalation, toute ingestion ou tout contact avec les yeux ou la peau. Se reporter aux codes locaux pour les exigences en matière d'élimination.
- Ne contourner aucune mesure de sécurité intégrée dans le dispositif. Le non-respect de cette consigne risquerait d'exposer la peau à la lumière UV. L'exposition prolongée de la peau peut causer des rougeurs ou une condition semblable à un coup de soleil.
- La station de chargement ne doit pas être opérée par des enfants.
- Ne retirer aucun des étiquetages d'avertissements, de mises en garde ou de descriptions de la station de chargement.

Unité du chargeur USB/concentrateur :

- Pour débrancher le chargeur/concentrateur USB de l'alimentation du secteur, le cordon d'alimentation sert de dispositif de débranchement.
- Si l'une des situations suivantes se présente, prendre rendez-vous pour faire inspecter l'équipement par un technicien en entretien :
 - L'équipement a été exposé à l'humidité.
 - L'équipement a été échappé et endommagé.
 - L'équipement montre des signes évidents de dommages.
 - L'équipement ne fonctionne pas correctement ou ne fonctionne pas conformément aux directives du manuel de l'utilisateur.
- Il n'est pas recommandé d'utiliser cet équipement pour des appareils de survie où une défaillance de cet équipement peut, selon toute vraisemblance, entraîner la défaillance de l'appareil de maintien de la vie ou affecter de façon majeure sa sécurité ou son efficacité.

Armoire de la station de chargement :

- Garder la station de chargement dans un environnement intérieur contrôlé, à l'écart de l'humidité, des températures extrêmes, des liquides et des gaz inflammables, des contaminants conducteurs, de la poussière et de la lumière directe du soleil.
- Laisser suffisamment d'espace autour de la station de chargement pour assurer une bonne ventilation. Ne pas bloquer, couvrir ou insérer des objets dans les ouvertures de ventilation externes de la station de chargement.
- La station de chargement est extrêmement lourde. Faire preuve de vigilance lors de la manutention de la station de chargement. Ne pas tenter de la débarrasser sans assistance. Utiliser un dispositif mécanique comme un chariot élévateur à fourche ou un transpalette manuel pour déplacer la station de chargement dans le conteneur d'expédition.
- Ne pas placer de récipients contenant un liquide ou empiler des objets sur l'armoire.
- Inspecter le conteneur d'expédition et la station de chargement pour s'assurer qu'elle n'a subi aucun dommage durant le transport. Ne pas utiliser la station de chargement si elle est endommagée.
- Faire preuve de vigilance au moment de couper le matériel d'emballage. Cela risquerait d'égratigner la station de chargement, causant des dommages qui ne sont pas couverts par la garantie.
- Conserver tout le matériel d'emballage en vue d'une utilisation ultérieure. Remballer et expédier l'armoire de la station de chargement ou l'équipement sans le matériel d'emballage d'origine pourrait causer des dommages au produit et annuler la garantie.

Pour les applications mobiles :

- La station de chargement comprend quatre roulettes verrouillables/orientables préinstallées.
- Toujours utiliser la poignée incluse lors du déplacement de la station de chargement (voir la **section 4.1 : Installation du support de la poignée et du guide du cordon d'alimentation** pour plus de renseignements).
- Lors du déplacement de l'armoire de la station de chargement, toujours la pousser par derrière; ne jamais la tirer vers soi.
- Une station de chargement déplacée sur ses roulettes peut causer des blessures corporelles et des pertes matérielles sans supervision adéquate. Si la station de chargement doit être roulée vers le bas d'une rampe, procéder avec la plus grande prudence. Ne pas tenter d'utiliser des rampes qui ont une pente supérieure à 12 %.

2. Vue d'ensemble

La station de chargement approuvée pour les hôpitaux est une solution tout-en-un pour désinfecter, ranger et charger jusqu'à 32 appareils.

Les lumières ultraviolettes intégrées de l'appareil aident à désinfecter les dispositifs électroniques d'une simple pression du doigt. Les lumières ultraviolettes détruisent la plupart des microbes sur les dispositifs sans avoir à utiliser de la chaleur, des liquides ou des produits chimiques dommageables.

La surface de la station de chargement est protégée par un revêtement antimicrobien breveté avec une technologie aux ions d'argent homologuée par l'EPA et conforme aux normes de la FDA. La protection antimicrobienne est efficace à 99,9 % pour inhiber les bactéries et les virus, comme C. difficile et SARM. Le revêtement satisfait aux exigences de JIS Z 2801:2000, une norme internationale pour l'évaluation de l'efficacité des produits antimicrobiens.

Avec quatre roulettes verrouillables/orientables préinstallées et une poignée amovible réversible, la station de chargement est idéale pour les applications mobiles. Pour prévenir le vol et l'altération de l'appareil, le boîtier de la station de chargement est équipé de portes en acier verrouillables.

3. Identification des caractéristiques

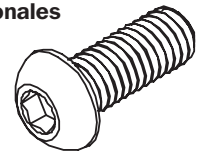
- 1 Portes en deux parties verrouillables
- 2 Étagères de rangement réglables (chaque étagère peut recevoir jusqu'à 16 appareils)
- 3 Panneaux de suppression (amovibles)
- 4 Poignée réversible
- 5 Roulettes orientables/verrouillables
- 6 Guide du cordon d'alimentation
- 7 Trous d'accès au cordon d'alimentation (1 de chaque côté)
- 8 Fiche d'entrée approuvée pour les hôpitaux 5-15P HG avec 3 m (10 pi) de cordon
- 9 Moraillon à cadenas (loquet non inclus)
- 10 Lampes UV
- 11 Bouton de démarrage et voyants à DEL de l'état

Non illustré :

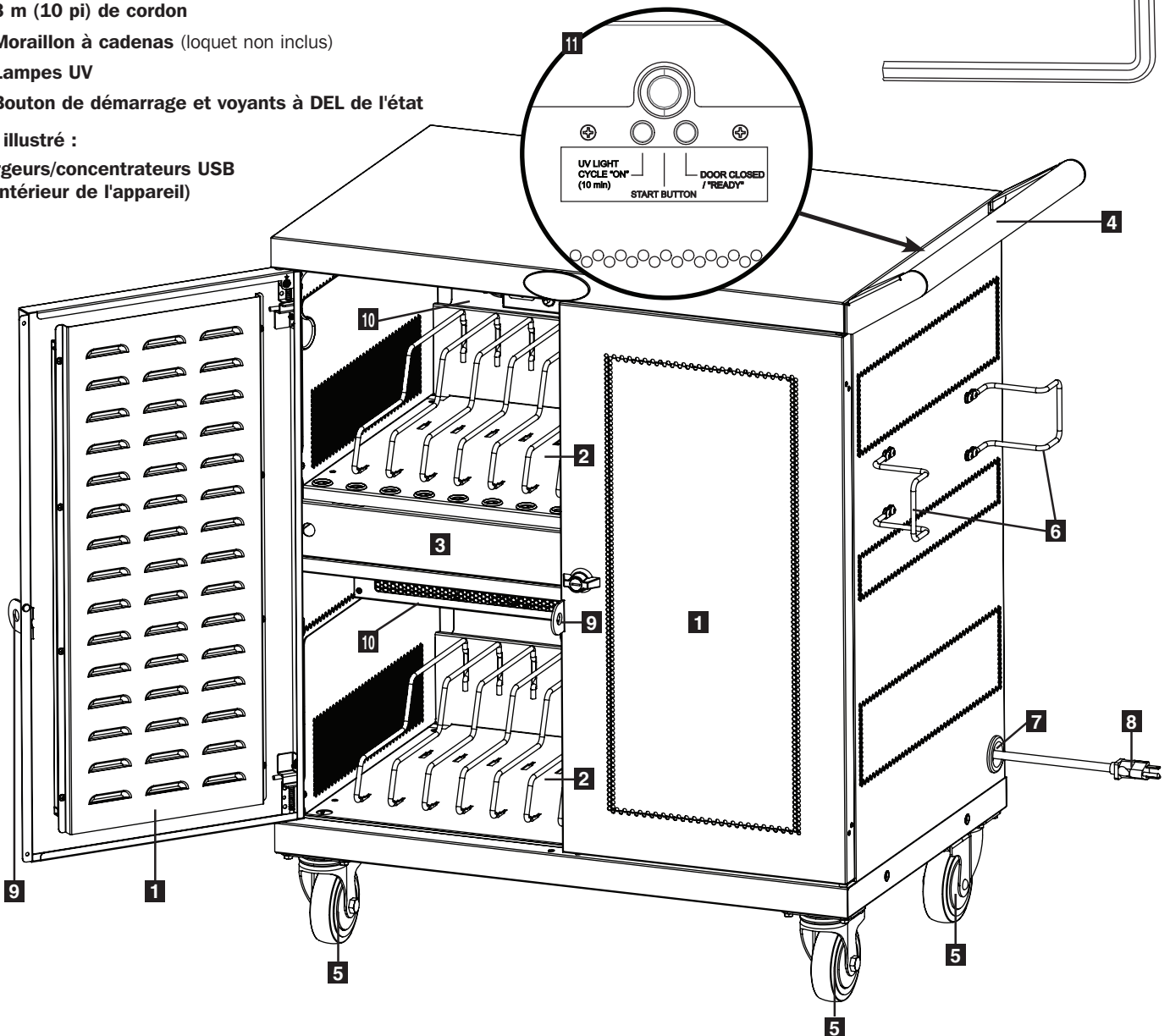
chargeurs/concentrateurs USB
(à l'intérieur de l'appareil)

Quincaillerie pour les accessoires incluse

12 x vis hexagonales



Clé hexagonale



4. Configuration



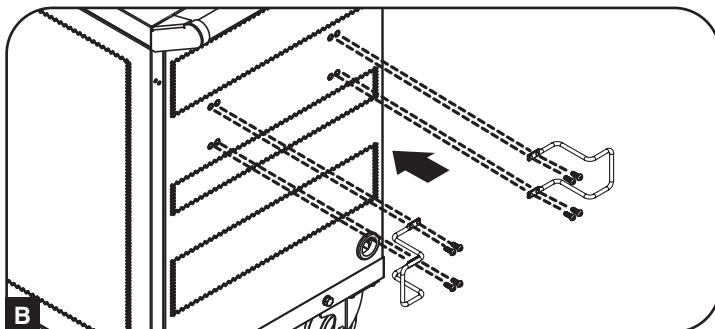
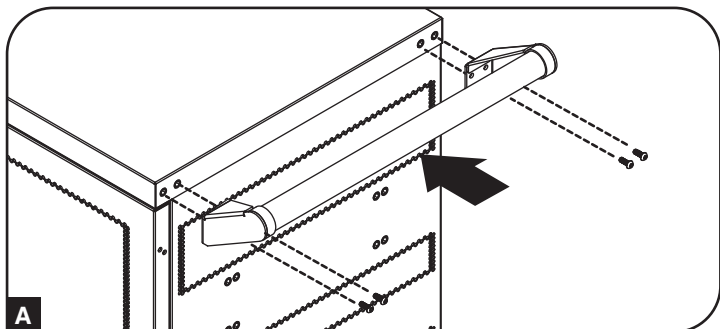
Mise en garde! Lire toutes les instructions et les avertissements avant l'installation!



Avertissement : Les stations de chargement peuvent être extrêmement lourdes. Ne pas tenter de déballer la station de chargement sans assistance. Suivre les instructions de déballage du manuel expédié avec ce produit avant de procéder à la configuration. Faire preuve de vigilance lors de la manutention de la station de chargement et s'assurer de respecter toutes les instructions concernant la manutention et l'installation. Ne pas tenter d'installer l'équipement sans d'abord stabiliser la station de chargement.

4.1 Installation du support de poignée et du guide du cordon d'alimentation

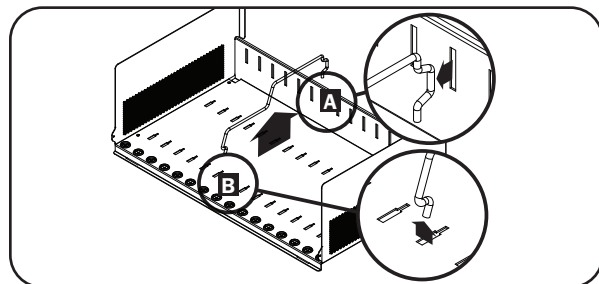
Pour installer le support de la poignée, utiliser la clé hexagonale incluse pour fixer quatre (4) vis hexagonales à l'armoire de la station de chargement **A**. Pour installer le guide du cordon, utiliser la même clé hexagonale pour retenir en place les huit (8) vis hexagonales qui retiennent les supports du guide du cordon (quatre par support) à l'armoire de la station de chargement **B**.



4.2 Réglage des diviseurs de l'étagère de rangement

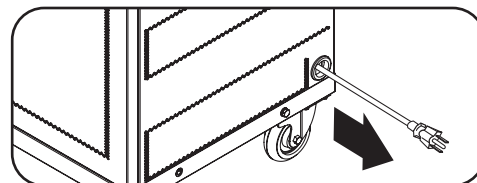
La station de chargement est fournie avec deux étagères de rangement avec diviseurs réglables qui peuvent chacune recevoir jusqu'à 16 appareils électroniques personnels.

Enlever tous les appareils électroniques personnels rangés sur le plateau de l'étagère. Retirer ensuite le panneau de suppression. Pour retirer le plateau d'étagère de l'armoire, pousser le plateau d'étagère vers l'avant pour le dégager du crochet de montage, puis tirer le plateau vers le haut et hors de l'armoire. Une fois l'étagère retirée, retirer ou réarranger un séparateur à ressort en le tirant d'abord délicatement vers l'avant pour le dégager de l'extrémité arrière **A**, puis le retirer de l'avant du plateau **B**. Répéter au besoin pour les diviseurs d'étagère supplémentaires.



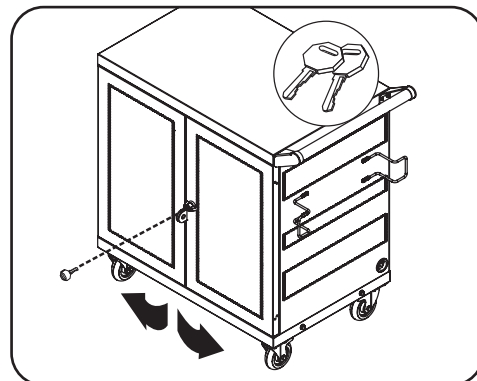
4.3 Mise sous tension du chargeur USB/concentrateur

Une fois le panneau de suppression inférieur retiré, trouver la fiche d'alimentation et le câble du chargeur/concentrateur USB qui se trouvent dans le compartiment inférieur de la station de chargement, puis pousser la fiche d'alimentation à travers l'un des passe-fils du trou d'accès aux câbles situé sur l'un ou l'autre des côtés de l'armoire de la station de chargement (il est recommandé d'utiliser le même côté du trou d'accès aux câbles que le guide du cordon d'alimentation). Brancher le cordon d'alimentation dans la prise de courant à 3 broches mise à la masse la plus près et rattacher le panneau de suppression à l'appareil.



4.4 Verrous de porte

Les portes en deux parties comportent un verrou qui est accessible avec les clés incluses.



5. Chargeur/concentrateur USB à 32 ports

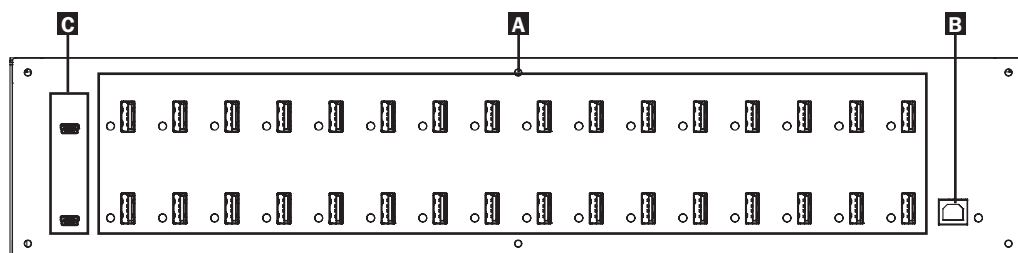
5.1 Caractéristiques du chargeur USB/concentrateur

- Le chargeur/concentrateur USB de qualité professionnelle charge et synchronise jusqu'à 32 dispositifs USB, y compris les tablettes et les téléphones intelligents iPad®, iPod®, iPhone® et Android™.
- Fournit à chaque port USB un niveau de charge optimal pour un appareil particulier (jusqu'à 2,4 ampères).
- Permet que la synchronisation soit effectuée avec tout appareil conçu pour les communications de données USB au moyen d'un logiciel de gestion des fichiers compatible.
- Synchronise les appareils Apple® via le logiciel iTunes® ou Apple Configurator.
- Le port de mise à niveau de micrologiciel mini-USB permet la mise à niveau des logiciels pour prendre en charge des appareils plus récents.
- Le boîtier de 1U peut être configuré pour les installations professionnelles, pédagogiques ou personnelles.
- L'entrée IEC C14 facilite les connexions de l'alimentation en utilisant les cordons d'alimentation régionaux dédiés (inclus).

A Ports pour appareils USB de 2,4 A avec voyants à DEL (32 au total)

B Port de synchronisation pour ordinateur

C Ports de mise à niveau de micrologiciel

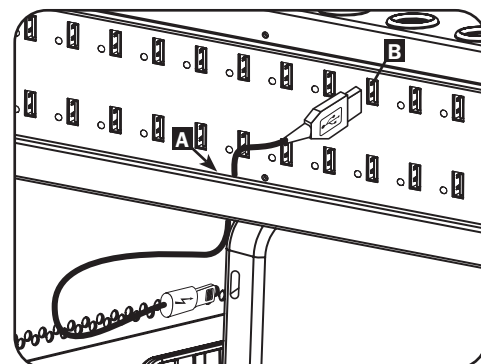


5.2 Connecter des dispositifs au chargeur/concentrateur USB

Chaque étagère de rangement comporte 16 bagues de retenue qui empêchent les connecteurs d'appareils du câble USB de glisser à travers la bague **A**. En utilisant un câble USB blindé fourni par l'utilisateur ou du fabricant de l'appareil, raccorder le câble USB au dispositif à être chargé.

Acheminer ensuite l'extrémité du câble à travers la bague de retenue sur l'étagère de rangement, puis connecter le connecteur USB à un port de chargement USB **B**. Répéter pour tous les appareils.

Tripp Lite offre des câbles individuels et des câbles en paquet de 10 pour des dispositifs Apple® utilisant des câbles de USB à 30 broches ou de USB à Lightning™, de même que des câbles individuels et des câbles en paquet de 10 pour les dispositifs USB 3.0 ou 2.0 utilisant des câbles de USB A (mâle) à Micro B à 5 broches (mâle).



Type de câble	Numéro de modèle de câbles individuels	Numéro de modèle des câbles en paquet de 10
Connecteur de USB Apple à 30 broches, 25,4 cm (10 po)	M110-10N-BK	M110-10N-BK-10
Connecteur de USB Apple à 30 broches, 0,9 m (3 pi)	M110-003-WH	—
Connecteur de USB Apple à Lightning à 8 broches, 25,4 cm (10 po)	M100-10N-BK	M100-10N-BK-10
Connecteur de USB Apple à Lightning à 8 broches, 0,9 m (3 pi)	M100-003-BK M100-003-WH	—
Connecteur de USB Apple à Lightning à 8 broches, 1,8 m (6 pi)	M100-006-BK M100-006-WH	—
Connecteur de USB Apple à Lightning à 8 broches, 3 m (10 pi)	M100-010-BK M100-010-WH	—
De USB 3.0 SuperSpeed A (mâle) à Micro-B à 5 broches (mâle), 0,3 m (1 pi)	U326-001-BK	U326-001-BK-10
De USB 3.0 SuperSpeed A (mâle) à Micro-B à 5 broches (mâle), 0,9 m (3 pi)	U326-003 U326-003-BK	—
De USB 3.0 SuperSpeed A (mâle) à Micro-B à 5 broches (mâle), 3 m (10 pi)	U326-010	—
USB 2.0 réversible A (mâle) à Micro-B à 5 broches (mâle), 0,3 m (1 pi)	UR050-001*	UR050-001-10*
USB 2.0 réversible A (mâle) à Micro-B à 5 broches (mâle), 0,9 m (3 pi)	UR050-003* UR050-003-WH*	—
USB 2.0 réversible A (mâle) à Micro-B à 5 broches (mâle), 1,8 m (6 pi)	UR050-006* UR050-006-SLIM*	—
USB 2.0 réversible A (mâle) à Micro-B à 5 broches (mâle), 3 m (10 pi)	UR050-010*	—

* Est doté d'un connecteur réversible USB-A (mâle) pour les installations simplifiées.

Visiter triplite.com pour de plus amples informations sur notre sélection de câbles USB de première qualité.

5. Chargeur/concentrateur USB à 32 ports

5.3 Raccordement d'un ordinateur au chargeur/concentrateur USB

En plus de charger l'appareil, le chargeur/concentrateur USB est équipé d'une fonction de concentrateur qui synchronise les appareils et leurs applications logicielles respectives via un ordinateur raccordé. Pour activer la fonction de concentrateur, utiliser le câble USB inclus pour brancher le connecteur USB-B au port de synchronisation pour ordinateur de l'appareil et le connecteur USB-A au port USB d'un ordinateur.

Remarque : Lorsque la connexion d'un ordinateur est établie et que plusieurs appareils sont branchés au chargeur/concentrateur USB, le taux de charge sera réduit durant la synchronisation et le taux de charge normal reprendra une fois la synchronisation terminée.

Remarque : Le port de mise à niveau de micrologiciel nécessite une connexion mini-USB (câble non inclus).

6. Fonctionnement des lumières UV

Vue d'ensemble

Ce produit est conçu pour aider à désinfecter les surfaces des dispositifs à main, comme les tablettes et les autres systèmes partageables. Les bactéries et les virus transmis par les mains de plusieurs individus partageant les dispositifs entreposés seront réduits. Il en résulte un niveau accru d'hygiène parmi les systèmes partagés. Les lampes UV dans cet appareil émettent de la lumière UV à une fréquence qui s'avère efficace pour arrêter les microorganismes comme les virus, les bactéries, les levures et les moisissures. Ce processus détruit les microorganismes ou neutralise leur capacité à se reproduire. L'appareil est doté d'un cycle de désinfection de 10 minutes.

Usage

Lorsque l'utilisateur ouvre et ferme les portes de l'appareil, la minuterie interne se réinitialise. La minuterie effectue des cycles de 10 minutes lorsque le bouton « START » (démarrage) est enfoncé.

1. Ouvrir la porte de la station de chargement CSC32USBWHG.
2. Insérer les dispositifs et s'assurer que l'appareil est branché.
3. Fermer la porte. Le voyant à DEL « DOOR CLOSED / READY » (porte fermée/prêt) s'allumera. Appuyer sur le bouton « START » (démarrage) et les lumières UV s'allumeront automatiquement.
4. Si la porte est ouverte avant que la minuterie termine son cycle de 10 minutes, les lumières s'éteindront et la minuterie se réinitialisera pour le prochain cycle de désinfection.

Remarque : Les deux portes de la station de chargement doivent être fermées avant d'enfoncer le bouton de démarrage. Les lumières UV ne s'allumeront pas si l'une des portes est ouverte. Cela permet d'assurer que les yeux ou la peau non protégés ne sont jamais exposés directement à la lumière UV.

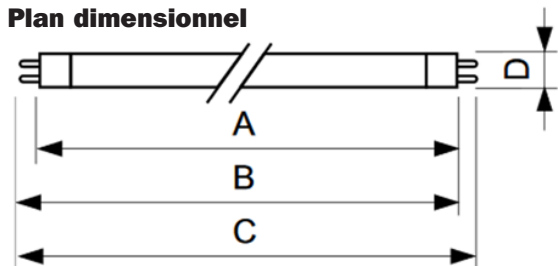
Entretien et dépannage

- Vérifier que le connecteur de la lampe est solidement fixé à la lampe.
- Vérifier que le fusible est en bon état de fonctionnement. Le remplacer au besoin.
- Vérifier qu'une alimentation appropriée est fournie à l'appareil et que le commutateur s'allume lorsqu'il est mis sous tension.
- Les lampes doivent être nettoyées tous les six mois pour éliminer toute accumulation de poussières sur les ampoules qui pourrait réduire l'efficacité de la lumière UVC.
- Vérifier que le commutateur fonctionne correctement en ouvrant, puis en fermant les portes de l'armoire pour s'assurer que la lumière s'éteint/s'allume. La minuterie devrait fonctionner pendant 10 minutes avant de s'éteindre.

Avertissements et sécurité

- Il est fort peu probable qu'une lampe UV brisée puisse avoir un impact négatif sur la santé de l'utilisateur. Si une lampe se brise, aérer la pièce pendant 30 minutes, puis retirer les morceaux en portant des gants. Placer les morceaux dans un sac en plastique scellé, puis le déposer dans une installation de traitement de déchets locale pour le recyclage. Ne pas utiliser un aspirateur.
- **DANGER!** Les lampes sont un produit ultraviolet du groupe de risque 3. Ces lampes émettent des rayons UV de haute puissance qui peuvent causer des blessures graves au niveau de la peau et des yeux. Éviter toute exposition de la peau et des yeux à un produit non blindé. Utiliser uniquement dans un milieu clos qui protège les utilisateurs contre les rayons.

Plan dimensionnel



Produit	A (max.)	B (max.)	B (min.)	C (max.)	D (max.)
TUV 8 W FAM/10X25BOX	288,3 mm	295,4 mm	293 mm	302,5 mm	16 mm

7. Caractéristiques techniques

Modèle	CSC32USBWHG
Dimensions (H x l x P)	917 x 884 x 513 mm/36,1 x 34,8 x 20,2 po
Poids de l'appareil	59 kg/130,7 lb
Capacité de charge	90 kg/200 lb stationnaire ou sur roulettes
Ports du chargeur/concentrateur	32 x USB 2.0 A (femelle) 1 x USB 2.0 B (femelle) 2 x USB 2.0 Mini (femelle)
Vitesse de transmission	Jusqu'à 480 Mbps
Besoins en matière d'alimentation	Entrée : 100 à 240 V, 2,5 A, 50/60 Hz sortie : 5,0 V, 2,4 A Max (par port USB)
Température de fonctionnement	0 à 40 °C/32 à 104 °F
Humidité de fonctionnement	5 à 95 % HR, sans condensation
Nombre de chargeurs/concentrateurs	2.
Dimensions du chargeur/concentrateur par appareil [H x l x P]	45 x 445 x 240 mm/1,75 x 17,5 x 9,5 po
Matériau du boîtier	Métal

Les spécifications sont sujettes à changement sans préavis.

8. Entreposage, entretien et nettoyage

Entreposage

Le boîtier doit être entreposé dans un environnement intérieur contrôlé, à l'écart de l'humidité, des températures extrêmes, des liquides et des gaz inflammables, des contaminants conducteurs, de la poussière et de la lumière directe du soleil. Entreposer le boîtier dans son conteneur d'expédition original si possible.

Entretien

Le boîtier est couvert par la garantie limitée décrite dans ce manuel. Pour plus de renseignements, visiter tripplite.com/support.

Nettoyage

Avant de nettoyer, toujours mettre la station de chargement hors tension en la débranchant de sa source CA. Au besoin, essuyer l'appareil avec un linge humide, propre et non pelucheux. Laisser sécher la surface avant de brancher l'appareil.

Remarque : Éviter l'utilisation de chiffons abrasifs, de solvants ou de pulvérisateurs aérosols pour nettoyer la station de chargement; cela risquerait d'endommager l'appareil.

9. Garantie

Garantie limitée de 2 ans

Le vendeur garantit que ce produit, s'il est utilisé conformément à toutes les instructions applicables, est exempt de tous défauts de matériaux et de fabrication pour une période de 2 ans à partir de la date d'achat initiale. Si le produit s'avère défectueux en raison d'un vice de matériau ou de fabrication au cours de cette période, le vendeur s'engage à réparer ou remplacer le produit, à son entière discrétion.

CETTE GARANTIE NE S'APPLIQUE PAS À L'USURE NORMALE OU AUX DOMMAGES RÉSULTANT D'UNE MAUVAISE UTILISATION, D'UN ABUS OU D'UNE NÉGLIGENCE. LE VENDEUR N'ACCORDE AUCUNE GARANTIE EXPRESSE AUTRE QUE LA GARANTIE EXPRESSÉMENT DÉCRITE DANS LE PRÉSENT DOCUMENT. SAUF DANS LA MESURE OÙ CELA EST INTERDIT PAR LA LOI EN VIGUEUR, TOUTE GARANTIE IMPLICITE, Y COMPRIS TOUTES LES GARANTIES DE QUALITÉ MARCHANDE OU D'ADAPTATION, SONT LIMITÉES À LA PÉRIODE DE GARANTIE CI-DESSUS ET CETTE GARANTIE EXCLUT EXPRESSÉMENT TOUS DOMMAGES DIRECTS ET INDIRECTS. (Certains États ne permettent pas de limitations sur la durée d'une garantie implicite, et certains États ne permettent pas l'exclusion ou la limitation des dommages fortuits ou consécutifs, de sorte que les limitations ou exclusions susmentionnées peuvent ne pas s'appliquer à vous. Cette garantie vous accorde des droits légaux spécifiques, et vous pouvez avoir d'autres droits qui varient d'une compétence à l'autre.)

AVERTISSEMENT : L'utilisateur individuel doit prendre soin de déterminer avant l'utilisation si cet appareil est approprié, adéquat et sûr pour l'usage prévu. Puisque les utilisations individuelles sont sujettes à des variations importantes, le fabricant ne fait aucune déclaration ou garantie quant à l'aptitude ou l'adaptation de ces dispositifs pour une application spécifique.

Renseignements sur la conformité à la directive DEEE pour les clients de Tripp Lite et les recycleurs (Union européenne)



En vertu de la directive et des règlements d'application relatifs aux déchets d'équipements électriques et électroniques (DEEE), lorsque des clients achètent de l'équipement électrique et électronique neuf de Tripp Lite, ils ont droit :

- D'envoyer l'équipement usagé au recyclage pourvu qu'il soit remplacé par un équipement équivalent (cela varie selon les pays)
- D'envoyer le vieil équipement au recyclage en autant qu'il remplace un équipement équivalent (cela varie selon les pays)

La politique de Tripp Lite en est une d'amélioration continue. Les caractéristiques techniques sont modifiables sans préavis. Les produits réels peuvent différer légèrement des photos et des illustrations.

