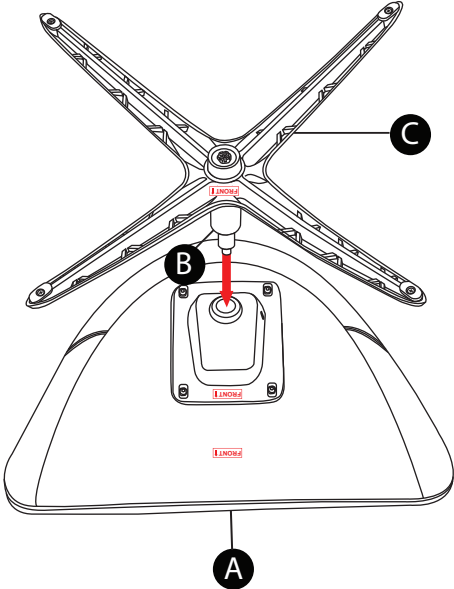
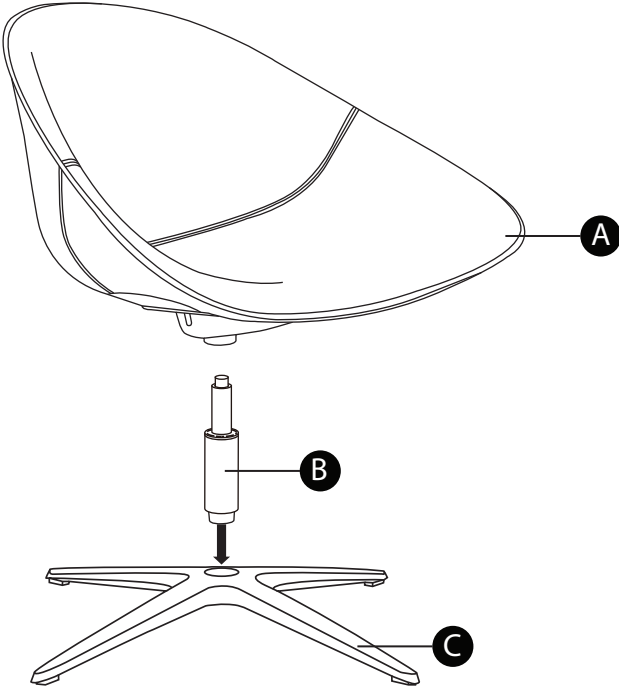


Additional/Special Instructions



*Note: The front of base faces the front of seat cushion.

Please check all components are included prior to assembling. For assistance call (833) 265 - 5177

PARIS
SW-60511

PG 1/1

H
I
A
N
R
C
D
L
W
U
A
D
R
E
D

NO.	A	B	C	D
TYPE				
QTY.	1	1	1	M6 1