

Elevate II

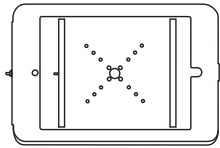
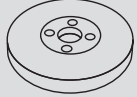
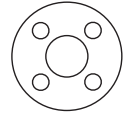
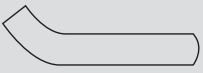



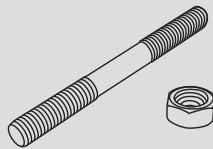
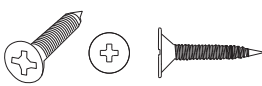
Wall/Countertop Mount Kiosk (Metal Enclosure)

Assembly Instructions

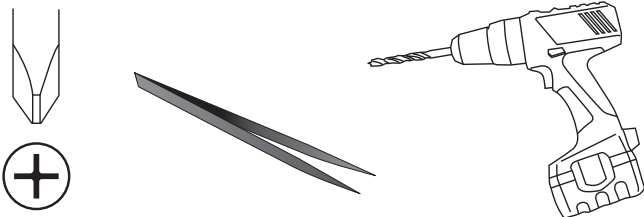
JOY
thejoyfactory



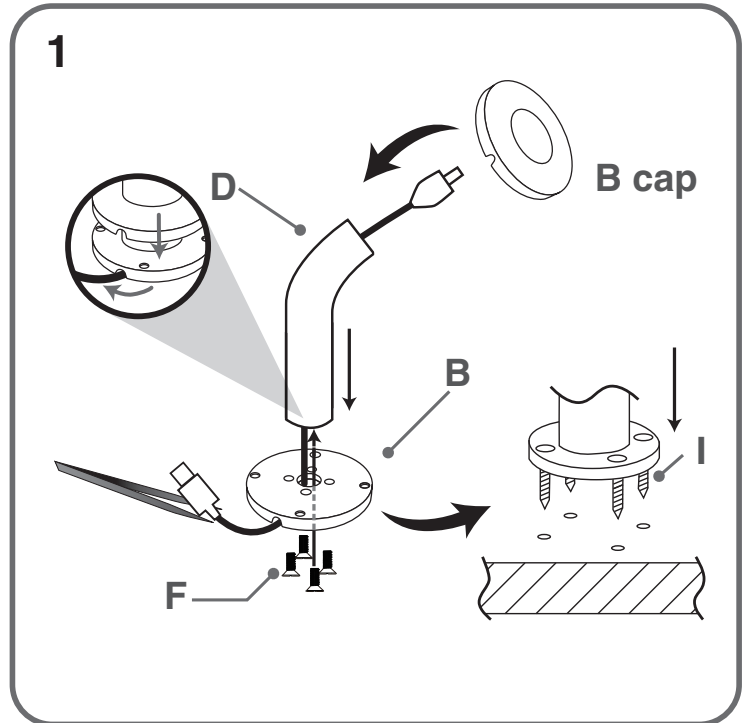
Contents

A	x1	
B	x1	
C	x1	
D	x1	
E	x2	
F	x4	
G	x4	
H	x4	
I	x4	

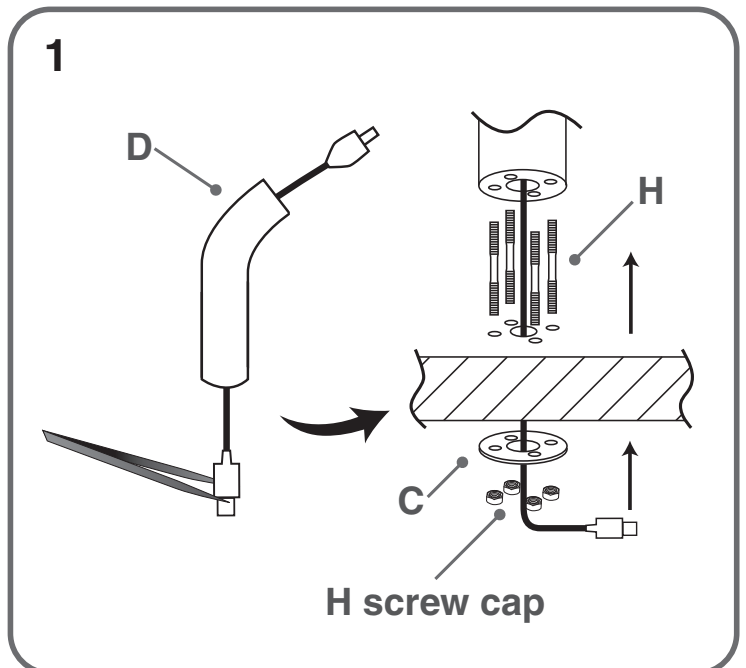
Tools required



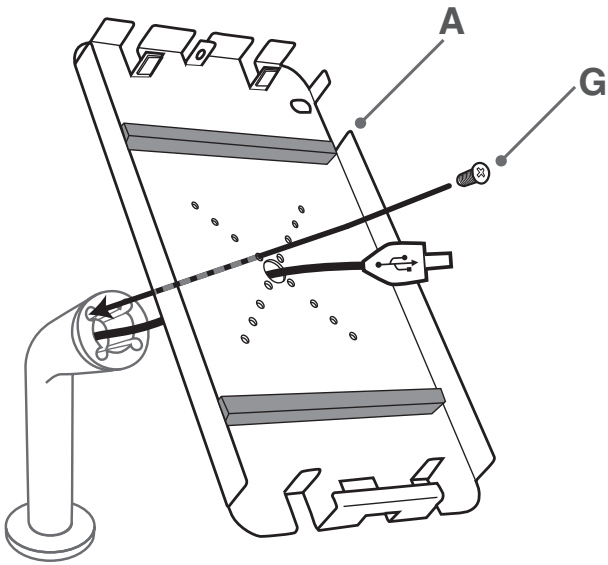
OPTION A Mount from above the surface



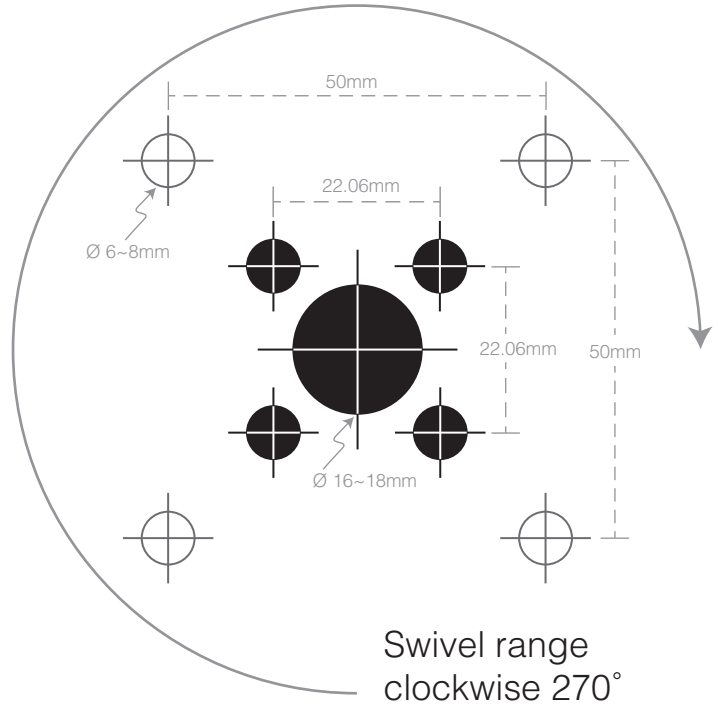
OPTION B Mount below the surface



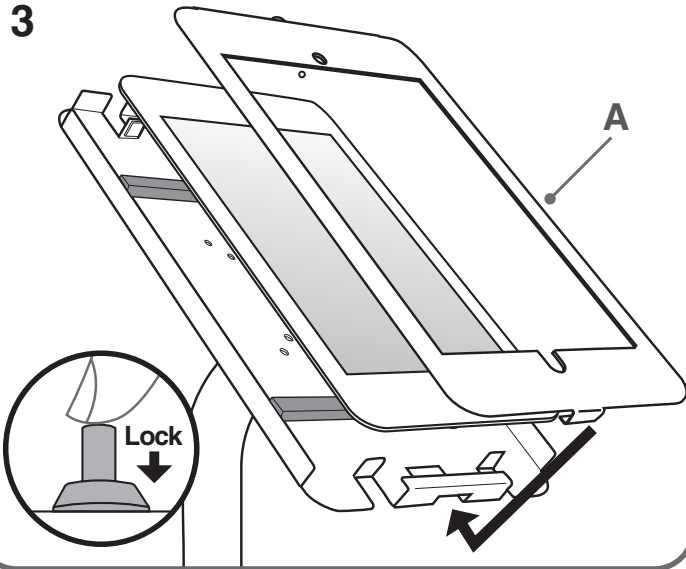
2



Drilling Template (Scale 1:1)



3



Email us at support@thejoyfactory.com
or call us at +1(949) 216-8888

© The Joy Factory, Inc.

Optional 90° Module Assembly Instructions

Contents			
L	x1		
M	x4		

