



2-Port DisplayPort 1.2 4K Smart Console KVM Switch with USB 3.0 Multi-Media

User Manual



04-1228A

P/N: CE-DP0F11-S1



Safety and Notice

The device has been tested for conformance to safety regulations and requirements, and has been certified for international use. However, like all electronic equipment, the device should be used with care. Please read and follow the safety instructions to protect yourself from possible injury and to minimize the risk of damage to the unit.

- Follow all instructions and warnings marked on this unit.
- Do not attempt to service this unit yourself, except where explained in this manual.
- Provide proper ventilation and air circulation and do not use near water.
- Keep objects that might damage the device and assure that the placement of this unit is on a stable surface.
- Use only the power adapter and power cords and connection cables designed for this unit.
- Do not use liquid or aerosol cleaners to clean this unit.
- Always unplug the power to the device before cleaning.



Thank You
for your purchase!

Features

- DP 1.2 compliant. Maximum total bandwidth: up to 21.6Gbps
- Supports 4K2K@60 4:4:4 8bits
- HDCP 1.3 compliant
- EDID Bypass
- Support separate line input and output
- Plug and Play without any driver needed
- Supports built-in 4-port USB 3.0 HUB to share USB devices
- Supports independent HID keyboard & mouse ports
- Supports hotkeys function
- Support Audio Lock / Unlock
- Support USB Lock / Unlock
- Firmware upgradable

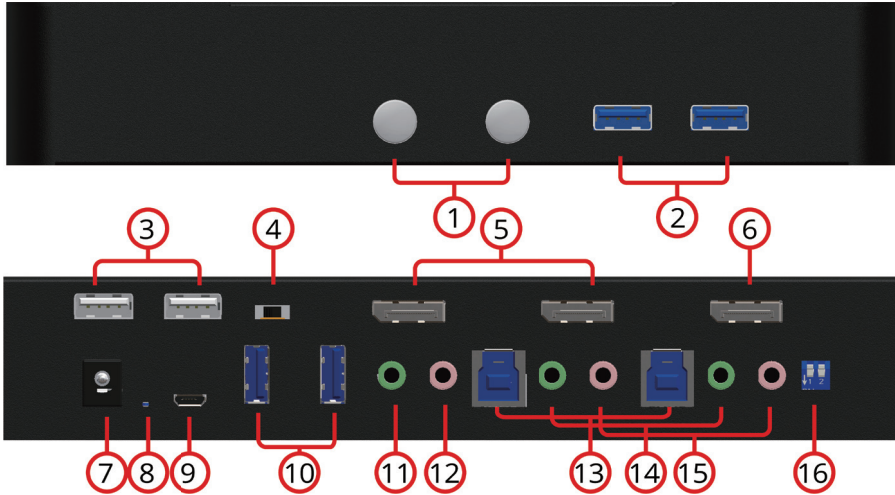
Package contents

- 2-Port DP 1.2 4K Smart Console Switch
- Power adapter DC 12V/2A
- USB 3.0 + MIC + Stereo cable x2
- DP Cable x2
- User Manual

Note

1. DisplayPort 1.2 spec does NOT support HDR
2. The suggested DisplayPort cable length is 1.5m to 2m
3. DisplayPort does NOT support dongle device

Layout

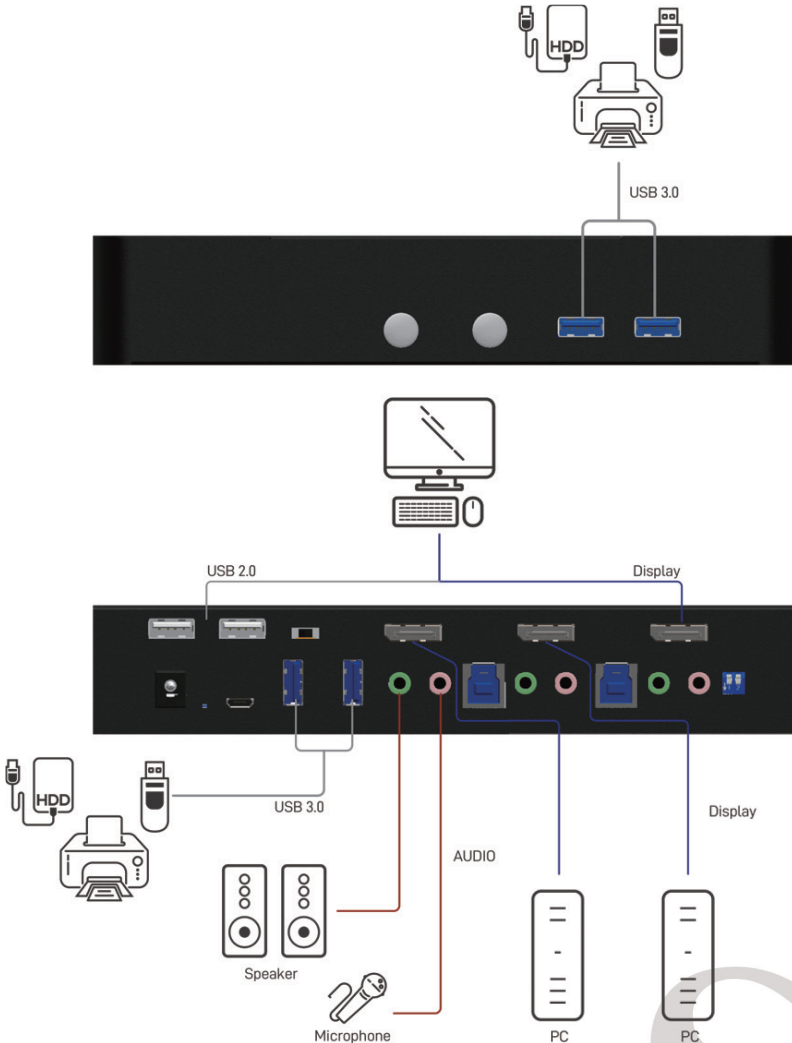


1. **Port 1-2 Selection Push Button:** Switch between computers
2. **USB 3.0 Hub:** Connect to USB devices
3. **Console USB Ports:** Connect to keyboard & mouse
4. **Signal Level:** Adjust the equalization control to receive DisplayPort signals. **[Left]:** EQ is weaker **[Right]:** EQ is stronger
5. **KVM Video IN 1-2:** Connect the DP cable to PC
6. **Console Video OUT:** Connect the DP cable to a display
7. **+12V DC:** +12V DC power jack
8. **Power Status:** Power indicator LED
9. **Micro USB:** For F/W update
10. **USB 3.0 Hub:** Connect to USB devices
11. **Speaker OUT:** Connect to analog stereo audio speaker
12. **Mic IN:** Connect to analog stereo audio source
13. **KVM USB 3.0 (Type B):** Connect the USB cable to PC
14. **KVM speaker 1-2:** Connect the stereo cable to PC
15. **KVM Mic 1-2:** Connect the stereo cable to PC
16. **2-Pin Dip Switch:** For F/W update

Dip Switch

Position		Description
PIN#1	ON[↓]	KVM firmware update mode
	OFF[↑]	Working mode
PIN#2	ON[↓]	Reserved
	OFF[↑]	Reserved

Application



Hotkey

Default setting, all of the following commands begin by pressing the [Scroll Lock] key twice. Please follow the hotkey command listed below for selected operating functions:

Hot key Definition	
[Scroll Lock] + [Scroll Lock] + [Ctrl] + [Enter]	Change [Scroll Lock] [Scroll Lock] to [Ctrl] [Ctrl] (Note 1)
[Ctrl] + [Ctrl] + [Scroll Lock] + [Enter]	Change [Ctrl] [Ctrl] to [Scroll Lock] [Scroll Lock]
[Scroll Lock] + [Scroll Lock] + [NUMBER1~2] + [Enter]	Switch input 1~2 source to output
[Scroll Lock] + [Scroll Lock] + [S]	Auto Scan/ Exit Auto Scan mode (Note 2)
[Scroll Lock] + [Scroll Lock] + [I] + [N] + [Enter]	Auto Scan Set [N]: 5~599 (Note 3)
[Scroll Lock] + [Scroll Lock] + [+]	Auto Scan Interval Add 5 Seconds
[Scroll Lock] + [Scroll Lock] + [-]	Auto Scan Interval Subtract 5 Seconds
[Scroll Lock] + [Scroll Lock] + [L] + [A]	Audio Lock / Audio Unlock
[Scroll Lock] + [Scroll Lock] + [L] + [U]	USB Lock / USB Unlock

Note:

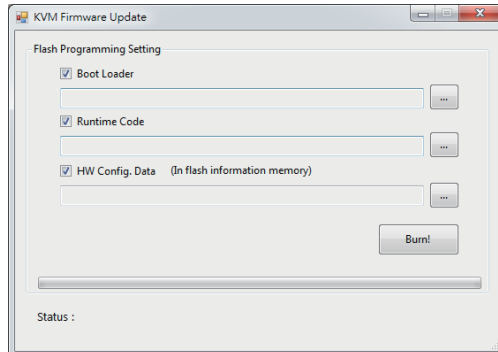
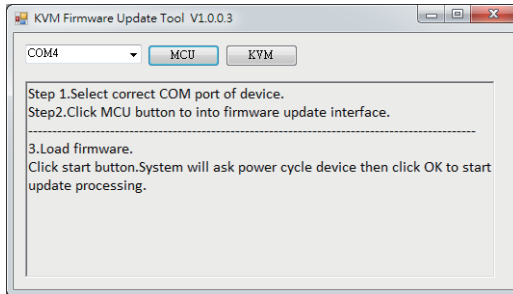
1. You can change the default setting to [Ctrl] [Ctrl], if you are using a Mac keyboard or a keyboard that does not have Scroll Lock key
2. Auto scan through each channel for quick screen browsing (default = 15 seconds)
3. You can set the auto scan interval according to the steps. (N = Number, 5~599)

Firmware update

Firmware update is proceeded through Micro-USB

KVM F/W update

1. Connect the Micro-USB to USB cable between PC and device
2. Set dip switch PIN#1 to ON[↓] and then power on device
3. Open firmware update software and then select COM Port
4. Click “KVM” button to open “KVM Firmware Update” windows
5. Check all items and click each “...” button to select the file which you want to write into device.
6. Click the “Burn!” button to start firmware update
7. After updating, please set the dip switch PIN#1 to OFF [↑] and power cycle the device



Support

For more info or tech support
<http://www.siig.com/support>

May, 2020 Copyright © 2020 by SIIG, Inc. All rights reserved.