

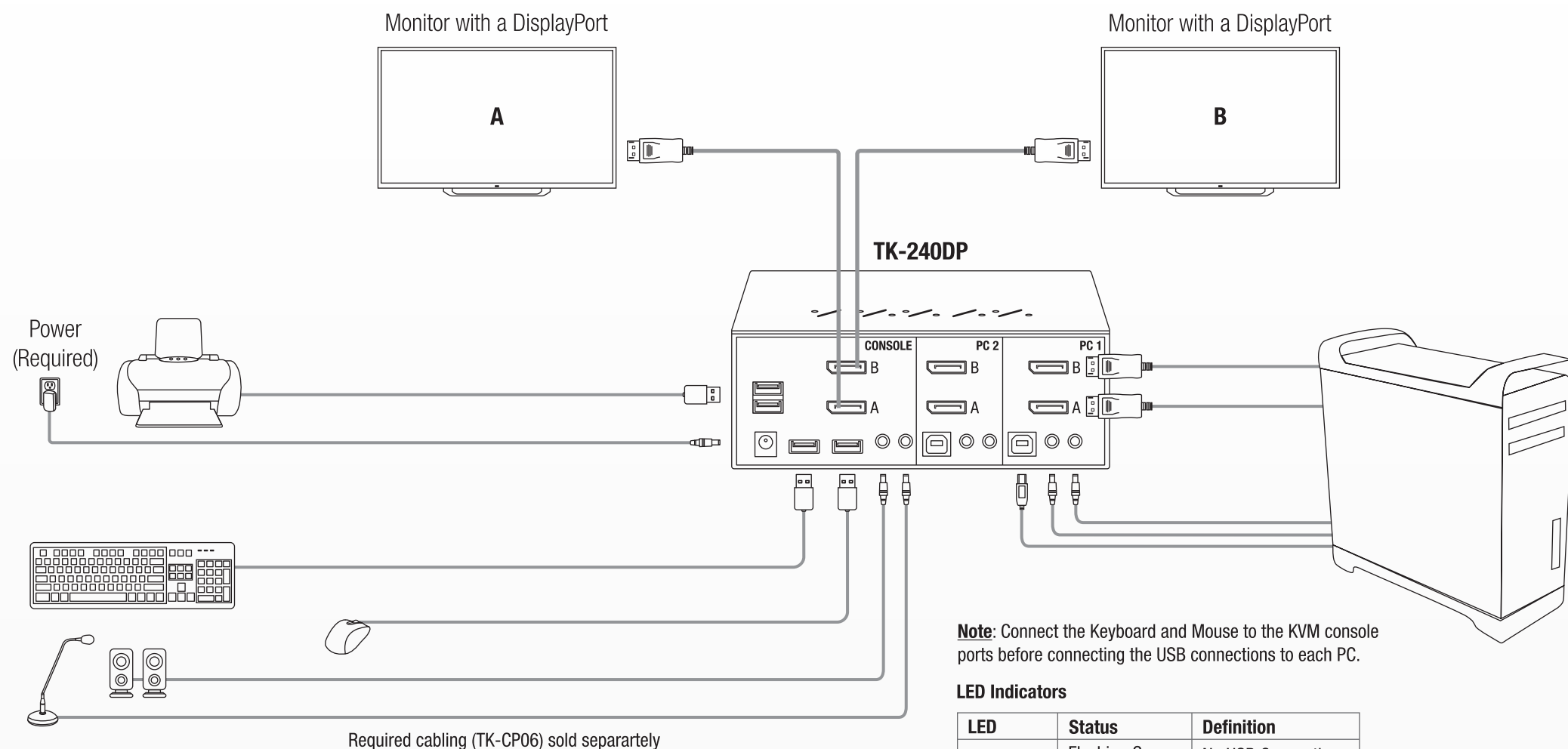
Quick Installation Guide

2-Port Dual Monitor DisplayPort KVM Switch
TK-240DP

2-Port DisplayPort KVM Switch
TK-241DP

4-Port Dual Monitor DisplayPort KVM Switch
TK-440DP

4-Port DisplayPort KVM Switch
TK-441DP



Note: The KVM switch may be different than the one shown in the examples.

Note: Connect the Keyboard and Mouse to the KVM console ports before connecting the USB connections to each PC.

LED Indicators

LED	Status	Definition
PC (Green)	Flashing Green	No USB Connection
	Solid Green	USB Connected
	Off	No Connection
Hub (Red)	Solid Red	Active Connection
	Off	No Connection

QUICK REFERENCE SHEET

Command	Hotkeys ¹	Front-Panel Button	Description
Select PC Port ²	ScrLk + ScrLk + (x) x = 1~2 / 1~4 for PC port number	Press the corresponding button to select the active PC port.	Select the active PC port (Jointly select PC port / hub port control / audio mic, if binding is enabled)
Select Hub Port Control ²	ScrLk + ScrLk + (Fx) Fx = F1~F2 / F1~F4 (Fx is a function key) x = 1~2 / 1~4 for hub port number	Press the button to toggle the specific PC+USB hub port control. (It works only if PC port/ hub port control binding is enabled.)	Select the PC port that control all USB hub ports (Jointly select PC & hub port control, if PC/ hub port control binding is enabled)
Select Audio&Mic Port ³	ScrLk + ScrLk + (Fy) Fy = F5~F6/ F5~F8 (Fy is a function key) y = 1~2 / 1~4 for audio&mic port number		Select the active audio&mic port (Jointly select PC & audio&mic port, if binding is enabled)
Bind PC and Hub Port Control Switching ²	ScrLk + ScrLk + Z		Enable the binding of PC port and hub port control switching. (Once this feature is enabled, any pc and/or hub port control switching is bound together) (factory default)
Unbind PC and Hub Port Control Switching ²	ScrLk + ScrLk + X		Disable the binding of PC port and hub port control switching
Bind PC and Audio&Mic Switching ³	ScrLk + ScrLk + Q		Enable the binding of PC port and audio&mic switching. (Once this feature is enabled, any pc and/or audio&mic switching is bound together) (factory default)
Unbind PC and Audio&Mic Switching ³	ScrLk + ScrLk + W		Disable the binding of PC port and audio&mic switching
Previous PC port ²	ScrLk + ScrLk + ↑ (arrow up)		Select the previous connected PC port (Jointly select PC/ hub port control, if binding is enabled)
Next PC port ²	ScrLk + ScrLk + ↓ (arrow down)		Select the next connected PC port (Jointly select PC/ hub port control, if binding is enabled)
Previous PC port	ScrLk + ScrLk + ← (Backspace)		Toggle between the previous port and current port
Beep Sound On/Off	ScrLk + ScrLk + B		Toggle on/off the beep sound while autoscanning
Define Hotkey Preceding Sequence	ScrLk + ScrLk + H + (y) y = SCROLL LOCK, CAPS, ESC, F12 or NUM LOCK	Press and hold down last button (Button 2 / Butotn4) till two beeps, release the button, then press (y) key	Select the hotkey preceding sequence among 5 alternative keys
Autoscan	ScrLk + ScrLk + S		Autoscan through every connected port for quick screen browsing of each port (scan delay = 10 sec.).
Autoscan with Programmable Delay Time	ScrLk + ScrLk + S + (z) z = 0~9 1→10°; 2→20°; 3→30°; 4→40°; 5→50°; 6→60°; 7→70°; 8→80°; 9→90°; 0→100°		Autoscan with a user-defined delay time within a range of 10 ~ 100 seconds
Stop Autoscan	Press any button		Terminate autoscan activity

Note:

- The USB keyboard hotkeys allows you a faster and broader control for your KVM switching operation in addition to the front-panel button. If you have configured a hotkey preceding sequence other than two consecutive scroll locks, here you should change your hotkey sequence accordingly. (For preceding sequence key configuration, please refer to "Operation" in above table.)
- When the binding of PC & USB hub port control switching is enabled by the hotkey sequence: ScrLk + ScrLk + Z, any PC and hub port control switching are bound together. To remove this binding, use the hotkey sequence: ScrLk + ScrLk + X.
- When the binding of PC and audio&mic switching is enabled by the hotkey sequence: ScrLk + ScrLk + Q, any PC and audio&mic switching are bound together. To remove this binding, use the hotkey sequence: ScrLk + ScrLk + W.

Declaration of Conformity

TRENDNET®

Manufacturer's Name and Address

TRENDnet, Inc.
20675 Manhattan Place
Torrance, CA 90501 USA

Zwolsestraat 156 2587 WB
The Hague The Netherlands



Product Information:

Model Number: TK-240DP / TK-241DP / TK-440DP / TK-441DP

Product Name: 2-Port Dual Monitor DisplayPort KVM Switch / 2-Port DisplayPort KVM Switch
4-Port Dual Monitor DisplayPort KVM Switch / 4-Port DisplayPort KVM Switch

Trade Name: TRENDnet

TRENDnet hereby declares that the product is in compliance with the essential requirements and other relevant provisions under our sole responsibility.

Safety EN 62368-1:2014+A11:2017

EMC EN 55032:2015 (TK-240DP, TK-440DP)
EN 55032: 2015 + AC: 2016, Class B (TK-241DP, TK-441DP)
CISPR 32: 2015 (TK-241DP, TK-441DP)
AS/NZS CISPR 32: 2015 (TK-241DP, TK-441DP)
EN 61000-3-2:2014
EN 61000-3-3:2013
EN 55024:2010 + A1: 2015 (TK-240DP, TK-440DP)
EN 55035:2017 (TK-241DP, TK-441DP)
EN 61000-4-2:2009 (TK-240DP, TK-440DP)
EN 61000-4-3:2006 + A2: 2010 (TK-240DP, TK-440DP)
EN 61000-4-4:2012 (TK-240DP, TK-440DP)
EN 61000-4-5:2014 (TK-240DP, TK-440DP)
EN 61000-4-6:2014 (TK-240DP, TK-440DP)
EN 61000-4-8:2010 (TK-240DP, TK-440DP)
EN 61000-4-11:2004 (TK-240DP, TK-440DP)

This product is herewith confirmed to comply with the Directives.

Directives: EMC Directive 2014/30/EU
RoHS 3 Directive 2015/863/EU
RoHS Directive 2011/65/EU
WEEE Directive 2012/19/EU
REACH Regulation (EU) No. 1907/2006
Low Voltage Directive 2014/35/EU
Ecodesign Directive (EU) 2019/1782

Person responsible for this declaration.

Place of Issue: Torrance, California, USA

Date: May 04, 2021

Title: VP of Technology

Name: Sonny Su

Signature:



Déclaration de conformité

TRENDNET®

Nom et adresse du fabricant

TRENDnet, Inc.
20675 Manhattan Place
Torrance, CA 90501 USA

Zwolsestraat 156 2587 WB
The Hague The Netherlands



Détails du produit

Modèle: TK-240DP / TK-440DP

Nom du produit: Switch KVM Dual Monitor DisplayPort à 2 ports / Switch KVM DisplayPort à 2 ports
Switch KVM Dual Monitor DisplayPort à 4 ports / Switch KVM DisplayPort à 4 ports

Nom Commercial: TRENDnet

TRENDnet déclare par la présente que le produit est conforme aux exigences essentielles et aux autres dispositions pertinentes de la Directive en vertu de notre seule responsabilité.

Sécurité EN 62368-1:2014+A11:2017

CEM EN 55032:2015 (TK-240DP, TK-440DP)
EN 55032: 2015 + AC: 2016, Class B (TK-241DP, TK-441DP)
CISPR 32: 2015 (TK-241DP, TK-441DP)
AS/NZS CISPR 32: 2015 (TK-241DP, TK-441DP)
EN 61000-3-2:2014
EN 61000-3-3:2013
EN 55024:2010 + A1: 2015 (TK-240DP, TK-440DP)
EN 55035:2017 (TK-241DP, TK-441DP)
EN 61000-4-2:2009 (TK-240DP, TK-440DP)
EN 61000-4-3:2006 + A2: 2010 (TK-240DP, TK-440DP)
EN 61000-4-4:2012 (TK-240DP, TK-440DP)
EN 61000-4-5:2014 (TK-240DP, TK-440DP)
EN 61000-4-6:2014 (TK-240DP, TK-440DP)
EN 61000-4-8:2010 (TK-240DP, TK-440DP)
EN 61000-4-11:2004 (TK-240DP, TK-440DP)

Ce produit est conforme à la directives suivantes.

Directives: Directive CEM 2014/30/UE
Directive 2015/863/UE (RoHS 3)
Directive RoHS 2011/65/UE
Directive WEEE 2012/19/UE
REACH Règlement (UE) N° 1907/2006
Directive Basse Tension 2014/35/UE
Directive écoconception (UE) 2019/1782

Personne responsable de cette déclaration.

Lieu de délivrance: Torrance, California, USA

Date: 04 Mai, 2021

Position: VP of Technology

Nom: Sonny Su

Signature:



Declaration of Conformity

TRENDNET®

Manufacturer's Name and Address

TRENDnet, Inc.
20675 Manhattan Place
Torrance, CA 90501 USA

Authorized Representative:
Office: +44 (0) 1635 887 399
Unit 4 Rivermead Business Park,
Pipers Way, Thatcham, RG19 4EP England



Product Information:

Model Number: TK-240DP / TK-241DP / TK-440DP / TK-441DP

Product Name: 2-Port Dual Monitor DisplayPort KVM Switch / 2-Port DisplayPort KVM Switch
4-Port Dual Monitor DisplayPort KVM Switch / 4-Port DisplayPort KVM Switch

Trade Name: TRENDnet

TRENDnet hereby declares that the product is in compliance with the essential requirements and other relevant provisions under our sole responsibility.

Safety EN 62368-1:2014+A11:2017

EMC EN 55032:2015 (TK-240DP, TK-440DP)
EN 55032: 2015 + AC: 2016, Class B (TK-241DP, TK-441DP)
CISPR 32: 2015 (TK-241DP, TK-441DP)
AS/NZS CISPR 32: 2015 (TK-241DP, TK-441DP)
EN 61000-3-2:2014
EN 61000-3-3:2013
EN 55024:2010 + A1: 2015 (TK-240DP, TK-440DP)
EN 55035:2017 (TK-241DP, TK-441DP)
EN 61000-4-2:2009 (TK-240DP, TK-440DP)
EN 61000-4-3:2006 + A2: 2010 (TK-240DP, TK-440DP)
EN 61000-4-4:2012 (TK-240DP, TK-440DP)
EN 61000-4-5:2014 (TK-240DP, TK-440DP)
EN 61000-4-6:2014 (TK-240DP, TK-440DP)
EN 61000-4-8:2010 (TK-240DP, TK-440DP)
EN 61000-4-11:2004 (TK-240DP, TK-440DP)

This product is herewith confirmed to comply with the Directives.

Directives: Electromagnetic Compatibility Regulations 2016
The Restriction of the Use of Certain Hazardous Substances in Electrical and Electronic Equipment Regulations 2012
The Waste Electrical and Electronic Equipment Regulations 2013 (as amended)
The REACH Enforcement Regulations 2008 (as amended)
Electrical Equipment (Safety) Regulations 2016
The Ecodesign for Energy-Related Products and Energy Information (Amendment) (EU Exit) Regulations 2019

Person responsible for this declaration.

Place of Issue: Torrance, California, USA

Date: May 04, 2021

Title: VP of Technology

Name: Sonny Su

Signature:



Limited Warranty

TRENDnet warrants its products against defects in material and workmanship, under normal use and service. Specific warranty periods are listed on each of the respective product pages on the TRENDnet website.

Garantie Limitée

TRENDnet garantit ses produits contre les problèmes de matériel ou de fabrication, dans des conditions normales d'utilisation et de service. Les périodes de garanties précises sont mentionnées sur chacun des pages produits du site web de TRENDnet.

Eingeschränkte Garantie

TRENDnet gewährt eine Garantie für seine Produkte im Falle von Material- und Bearbeitungsdefekten, bei normaler Verwendung und Wartung. Spezielle Garantiezeiträume werden auf jeder Produktseite auf der Website von TRENDnet genannt.

Garantia limitata

TRENDnet garantisce que sus productos carecen de defectos en el material y la fabricación, en condiciones de uso y funcionamiento normales. Los periodos específicos de garantía figuran en cada una de las páginas de producto del sitio web de TRENDnet.

Ограниченная гарантия

Компания TRENDnet предоставляет гарантию на свои изделия от дефектов материалов и сборки при нормальном использовании и обслуживании. Конкретные гарантийные сроки указаны на странице каждого продукта на сайте компании TRENDnet.

Garantia Limitada

A TRENDnet garante seus produtos contra defeitos de material e mão de obra sob condições normais de uso e serviço. Os períodos de garantia específicos estão listados em cada uma das páginas dos respectivos produtos no site da TRENDnet.

Piiratud garantii

TRENDneti garantii hõlmab materjali- ja koostamisdefekte, mis ilmnevad toote tavapärase kasutamisel. Garantiiaja täpne pikkus konkreitse toote puhul on leitav TRENDneti kodulehelt vastava toote infolehel.

Garanzia limitata

TRENDnet garantisce i propri prodotti da difetti di materiali e manodopera, in condizioni di normale uso ed esercizio. I periodi di garanzia specifici sono elencati sulle rispettive pagine di prodotto sul sito TRENDnet.

Certifications

This device complies with Part 15 of the FCC Rules. Operation is subject to the following two conditions:

- (1) This device may not cause harmful interference.
- (2) This device must accept any interference received. Including interference that may cause undesired operation.



Waste electrical and electronic products must not be disposed of with household waste. Please recycle where facilities exist. Check with your Local Authority or Retailer for recycling advice.

Technical Support

If you have any questions regarding the product installation, please contact our Technical Support. Toll free US/Canada:

1-866-845-3673

Regional phone numbers available at www.trendnet.com/support

TRENDnet

20675 Manhattan Place
Torrance, CA 90501
USA

Applies to PoE Products Only: This product is to be connected only to PoE networks without routing to the outside plant.

Note

The Manufacturer is not responsible for any radio or TV interference caused by unauthorized modifications to this equipment. Such modifications could void the user's authority to operate the equipment.

Advertencia

En todos nuestros equipos se mencionan claramente las características del adaptador de alimentación necesario para su funcionamiento. El uso de un adaptador distinto al mencionado puede producir daños físicos y/o daños al equipo conectado. El adaptador de alimentación debe operar con voltaje y frecuencia de la energía eléctrica domiciliaria existente en el país o zona de instalación.

Product Warranty Registration

Please take a moment to register your product online.

Go to TRENDnet's website at: www.trendnet.com/register