

Owner's Manual

4K/60 DisplayPort over Cat6 Extenders and Splitters

Extender Kit Model: B127-1A1-DH

Splitter Kit Models: B127-002-D2H, B127-004-D4H

Local Transmitter Model: B127-008-D

Este manual esta disponible en español en la página de
Tripp Lite : triplite.com/support

Ce manuel est disponible en français sur le site Web de
Tripp Lite : triplite.com/support

Русскоязычная версия настоящего руководства представлена на
веб-сайте компании Tripp Lite по адресу: triplite.com/support

WARRANTY REGISTRATION

Register your product today and be automatically entered to win an ISOBAR
surge protector in our monthly drawing!

triplite.com/warranty



1111 W. 35th Street, Chicago, IL 60609 USA • triplite.com/support

Copyright © 2020 Tripp Lite. All rights reserved.

Package Contents

	B127-1A1-DH	B127-002-D2H	B127-004-D4H	B127-008-D
Local Unit (L), Remote Unit (R) or Both (B)	B	B	B	L
External Power Supply (Input: 100V-240V)	1	1	1	1
International Plug Adapters (North America, U.K., Europe, Australia)	Y	Y	Y	Y
Mounting Hardware	Y	Y	Y	Y

Product Features

All

- Support 4K video resolution (3840 x 2160 @ 60 Hz) and 4:4:4 chroma subsampling
- Support up to 7.1-channel surround sound audio
- DisplayPort 1.2a compatible
- Supports up to 8-channel LPCM, AC-3, DTS digital audio
- Plug and play—no software or drivers required

B127-1A1-DH

- DisplayPort over Cat6 Power-over-Cable (PoC) Extender Kit
- Extends a 4K (3840 x 2160 @ 60 Hz) signal up to 125 ft. (38 m) from the source
- Additional HDMI port on the local transmitter unit allows connection of a local monitor
- Remote receiver unit features built-in equalization (EQ) control and auto EDID image adjustment
- Includes mounting hardware that allows both the local transmitter and remote receiver units to be wall-mounted, rack-mounted or pole-mounted

B127-002-D2H

- DisplayPort over Cat6 Power Over Cable (PoC) 2 Port Splitter/Extender Kit
- Extends a 4K (3840 x 2160 @ 60 Hz) signal up to 125 ft. (38 m) from the source
- Remote HDMI receiver units feature built-in equalization (EQ) control and auto EDID image adjustment
- Kit includes a 2-port splitter extender and two remote receivers
- Includes mounting hardware that allows unit to be wall-mounted, rack-mounted or pole-mounted

Product Features

B127-004-D4H

- DisplayPort over Cat6 Power over Cable (PoC) 4-Port Splitter/Extender Kit
- Extends a 4K (3840 x 2160 @ 60 Hz) signal up to 125 ft. (38 m) from the source
- Remote HDMI receiver units feature built-in equalization (EQ) control and auto EDID image adjustment
- Kit includes a 4-port splitter extender and four remote receivers
- Includes mounting hardware that allows unit to be wall-mounted, rack-mounted or pole-mounted
- Additional HDMI port on the local transmitter unit allows connection of a local monitor

B127-008-D

- DisplayPort over Cat6 Power over Cable (PoC) 8-Port Local Transmitter Unit
- Extends a 4K (3840 x 2160 @ 60 Hz) signal up to 125 feet (38 m) from the source to up to eight receivers
- Includes mounting hardware that allows unit to be wall-mounted, rack-mounted or pole-mounted
- Additional HDMI port on the local transmitter unit allows connection of a local monitor

Optional Accessories:

- N202-Series Cat6 24 AWG Solid-Wire Patch Cables
- P569-XXX-CERT or P568-XXX-2A-Series High-Speed HDMI 2.0 Cables
- P580-XXX DisplayPort Cables

Disclaimer

Before installation, please check the following settings of your source(s) and TV/monitor(s):

1. Set monitor to display at 60 Hz. Double-check factory settings, as default may be set to a lower frequency (Hz).
2. Ensure your monitor's input setting is set to HDMI 2.0. Some displays may have a default setting of HDMI 1.4
3. Verify your monitor has the HDR feature enabled. Some displays may have this feature disabled as a default setting.
4. Check if the Ultra HD (UHD) Deep Color setting is enabled on your TV/monitor. Confirm with your TV/monitor manufacturer which HDMI ports support UHD Deep Color.

Note: *If you wish to connect a local monitor to your installation, depending on the make/model of your TV or monitor, the UHD Deep Color setting may need to be disabled on your local TV/monitor to achieve 4K 60 Hz resolution.*

Mounting Instructions (select models)

The B127-1A1-DH, B127-002-D2H, B127-004-D4H and B127-008-D include mounting hardware, allowing for a variety of mounting methods. The following images illustrate how the included mounting brackets can be attached for different installations.

Note: The model shown in the below images is for illustrative purposes only. Your product may vary by model number, size or port orientation. The mounting options for all over IP units are the same.

Wall-mount



19" Rack-mount



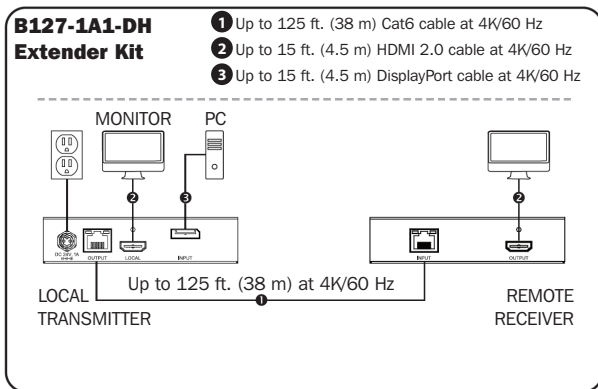
Pole-mount



Standard Extender Kit Installation

Notes:

- Test to ensure the entire installation works properly before pulling cables through ceilings/walls.
- To achieve maximum distance and performance, use 24 AWG solid-wire Cat6 cable. Using stranded-wire Cat6 cable, or cable with a gauge (AWG) size higher than 24 AWG will result in shorter extension distance. Higher gauge cabling, such as 26 AWG, has a more limited transmission capability than lower gauge cabling. All Tripp Lite N202-Series Cat6 cables use 24 AWG solid-wire cabling.
- The installation diagram shows a B127-1A1-DH unit.
- External power is not required for the remote receiver due to Power over Cable (PoC) technology incorporated in the transmitter unit.



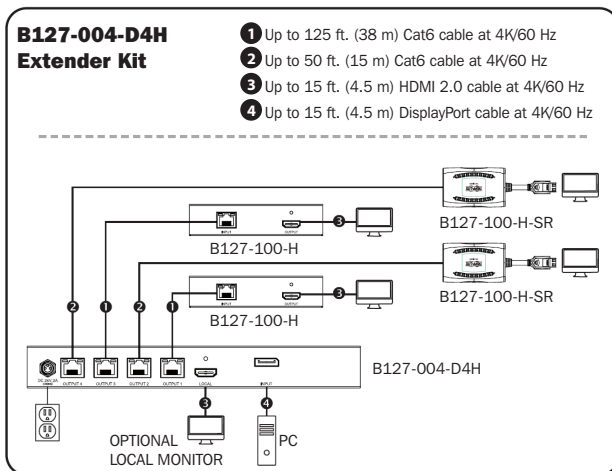
Standard Extender Kit Installation

1. Make sure all equipment in the installation—such as TVs, Blu-ray players and the transmitter—is powered OFF.
2. Using DisplayPort cables (such as Tripp Lite P580-XXX-Series), connect the DisplayPort source to the INPUT port on the B127-1A1-DH local transmitter unit.
3. **Optional for B127-1A1-DH:** Using an HDMI 2.0 cable (such as Tripp Lite P569-XXX-CERT or P568-XXX-2A-Series cable), connect a local monitor to the LOCAL port on the B127-1A1-DH local transmitter unit.
4. Using Cat6 cable, connect the RJ45 port on the local transmitter unit to the RJ45 port on the remote receiver unit.
5. Using an HDMI 2.0 cable (such as Tripp Lite P569-XXX-CERT or P568-XXX-2A-Series cable), connect the remote receiver unit's HDMI port to a monitor.
6. Power on all connected displays. The LOCAL (orange) LED will illuminate to indicate the local port is connected to a display.
7. Connect the external power supply to the local transmitter unit and plug it into an available wall outlet or (optional) a Tripp Lite Surge Protector, Power Distribution Unit (PDU) or Uninterruptible Power Supply (UPS). The POWER (green) LED will illuminate to indicate the unit is receiving power from the external power supply. The POWER (green) LED on the remote receiver unit will illuminate to indicate the unit is receiving power from the local transmitter unit by way of PoC technology.
8. Turn on the power to the DisplayPort source. The OUTPUT (orange) LED on the local transmitter unit will illuminate to indicate a signal is received from the source.
9. The RJ45 (orange) LED will illuminate on both local transmitter and remote receiver units to indicate a signal is being received from source to display. The screen should now display on the connected monitor.

Standard Extender Installation

Notes:

- Test to ensure the entire installation works properly before pulling cables through ceilings/walls.
- To achieve maximum distance and performance, use 24 AWG solid-wire Cat6 cable. Using stranded-wire Cat6 cable, or cable with a gauge (AWG) size higher than 24 AWG will result in shorter extension distance. Higher gauge cabling, such as 26 AWG, has a more limited transmission capability than lower gauge cabling. All Tripp Lite N202-Series Cat6 cables use 24 AWG solid-wire cabling.
- The installation diagram shows the B127-004-D4H local transmitter unit. The B127-002-D2H installation is the same, except there are only two remote ports and no local monitor port. The B127-008-D Transmitter Unit features eight remote ports and one local monitor port.
- External power is not required for the B127-100-H or B127-100-H-SR.



Standard Extender Installation

1. Make sure all equipment in the installation—such as TVs, Blu-ray players and the transmitter—is powered OFF.
2. Using DisplayPort cables (such as Tripp Lite P580-XXX-Series), connect the DisplayPort source to the INPUT port on the B127-002-D2H, B127-004-D4H or B127-008-D local transmitter unit.
3. **Optional for B127-004-D4H and B127-008-D:** Using an HDMI 2.0 cable (such as Tripp Lite P569-XXX-CERT or P568-XXX-2A-Series cable), connect a local monitor to the LOCAL port on the B127-004-D4H or B127-008-D local transmitter unit.
4. Using Cat6 cable, connect the RJ45 output port on the local transmitter unit to the RJ45 port on the B127-100-H remote receiver unit.
5. Repeat step 4 for each additional remote receiver unit being connected.
6. Using an HDMI 2.0 cable (such as Tripp Lite P569-XXX-CERT or P568-XXX-2A-Series cable), connect the B127-100-H's HDMI port to a monitor.
7. Repeat Step 6 for each additional remote B127-100-H receiver unit in the installation.
8. Power on all connected displays. The LOCAL (orange) LED will illuminate to indicate the local port is connected to a display.
9. Connect the external power supply to the B127-002-D2H, B127-004-D4H or B127-008-D local transmitter unit and plug it into an available wall outlet or (optional) a Tripp Lite Surge Protector, Power Distribution Unit (PDU) or Uninterruptible Power Supply (UPS). The POWER (green) LED will illuminate to indicate the unit is receiving power from the external power supply. On the B127-100-H, the POWER (green) LED on the remote receiver unit will illuminate to indicate the unit is receiving power from the extender/splitter.

Standard Extender Installation

10. Turn on the power to the DisplayPort source. The (orange) LED on the B127-002-D2H, B127-004-D4H or B127-008-D will illuminate to indicate a signal is received from the source. Additionally, the OUTPUT (orange) LED will illuminate for each port signal connection.
11. The RJ45 (orange) LEDs on the B127-100-H will illuminate to indicate a signal is being received from the extender/splitter. The screen should now display on the connected monitor.

Warranty and Product Registration

1-Year Limited Warranty

TRIPP LITE warrants its products to be free from defects in materials and workmanship for a period of one (1) year from the date of initial purchase. TRIPP LITE's obligation under this warranty is limited to repairing or replacing (at its sole option) any such defective products. To obtain service under this warranty, you must obtain a Returned Material Authorization (RMA) number from TRIPP LITE or an authorized TRIPP LITE service center. Products must be returned to TRIPP LITE or an authorized TRIPP LITE service center with transportation charges prepaid and must be accompanied by a brief description of the problem encountered and proof of date and place of purchase. This warranty does not apply to equipment, which has been damaged by accident, negligence or misapplication or has been altered or modified in any way.

EXCEPT AS PROVIDED HEREIN, TRIPP LITE MAKES NO WARRANTIES, EXPRESS OR IMPLIED, INCLUDING WARRANTIES OF MERCHANTABILITY AND FITNESS FOR A PARTICULAR PURPOSE.

Some states do not permit limitation or exclusion of implied warranties; therefore, the aforesaid limitation(s) or exclusion(s) may not apply to the purchaser.

EXCEPT AS PROVIDED ABOVE, IN NO EVENT WILL TRIPP LITE BE LIABLE FOR DIRECT, INDIRECT, SPECIAL, INCIDENTAL OR CONSEQUENTIAL DAMAGES ARISING OUT OF THE USE OF THIS PRODUCT, EVEN IF ADVISED OF THE POSSIBILITY OF SUCH DAMAGE. Specifically, TRIPP LITE is not liable for any costs, such as lost profits or revenue, loss of equipment, loss of use of equipment, loss of software, loss of data, costs of substitutes, claims by third parties, or otherwise.

Warranty and Product Registration

PRODUCT REGISTRATION

Visit triplite.com/warranty today to register your new Tripp Lite product. You'll be automatically entered into a drawing for a chance to win a FREE Tripp Lite product!*

* No purchase necessary. Void where prohibited. Some restrictions apply. See website for details.

WEEE Compliance Information for Tripp Lite Customers and Recyclers (European Union)



Under the Waste Electrical and Electronic Equipment (WEEE) Directive and implementing regulations, when customers buy new electrical and electronic equipment from Tripp Lite they are entitled to:

- Send old equipment for recycling on a one-for-one, like-for-like basis (this varies depending on the country)
- Send the new equipment back for recycling when this ultimately becomes waste

Use of this equipment in life support applications where failure of this equipment can reasonably be expected to cause the failure of the life support equipment or to significantly affect its safety or effectiveness is not recommended.

Tripp Lite has a policy of continuous improvement. Specifications are subject to change without notice. Photos and illustrations may differ slightly from actual products.



1111 W. 35th Street, Chicago, IL 60609 USA • triplite.com/support