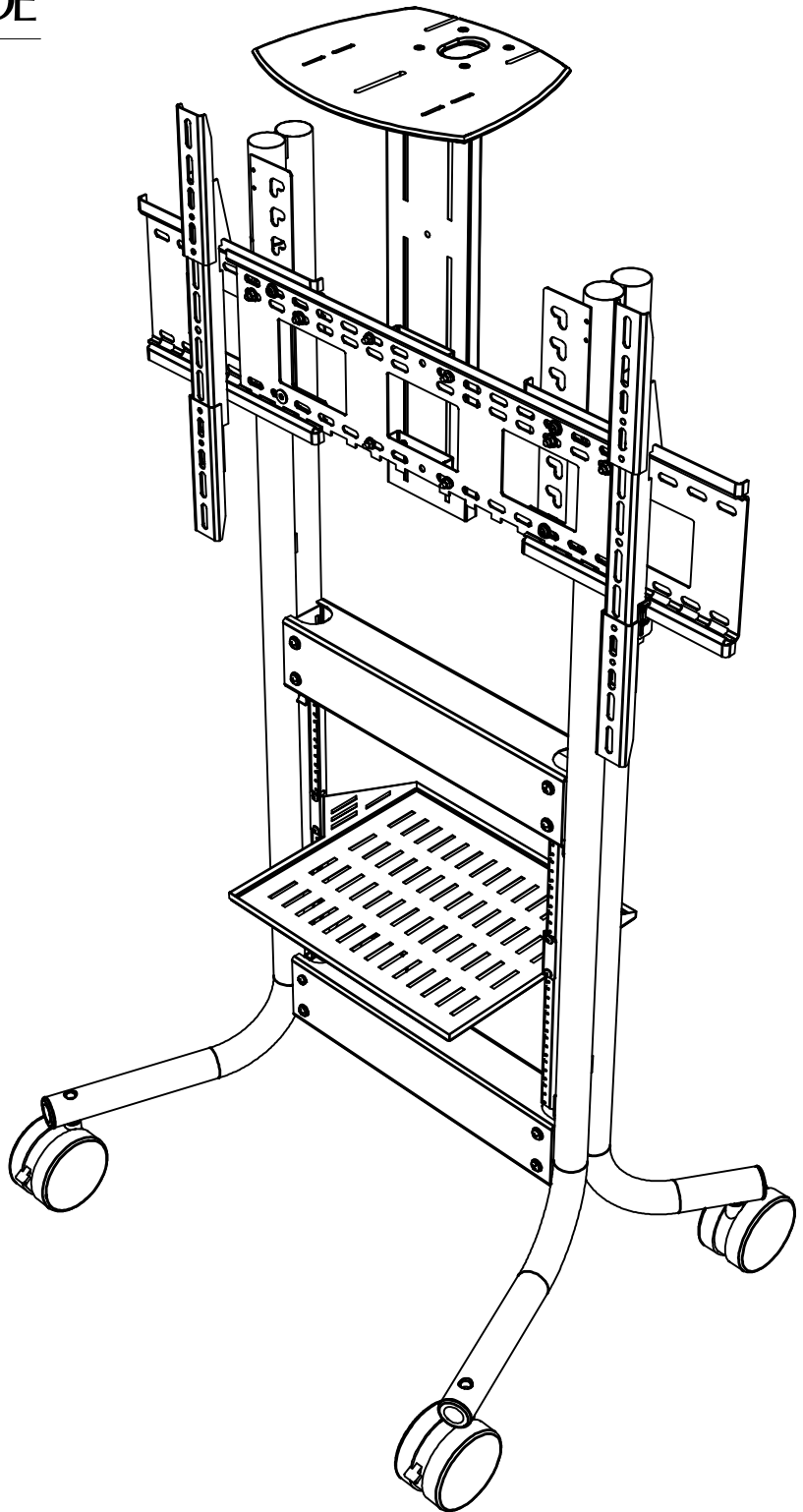




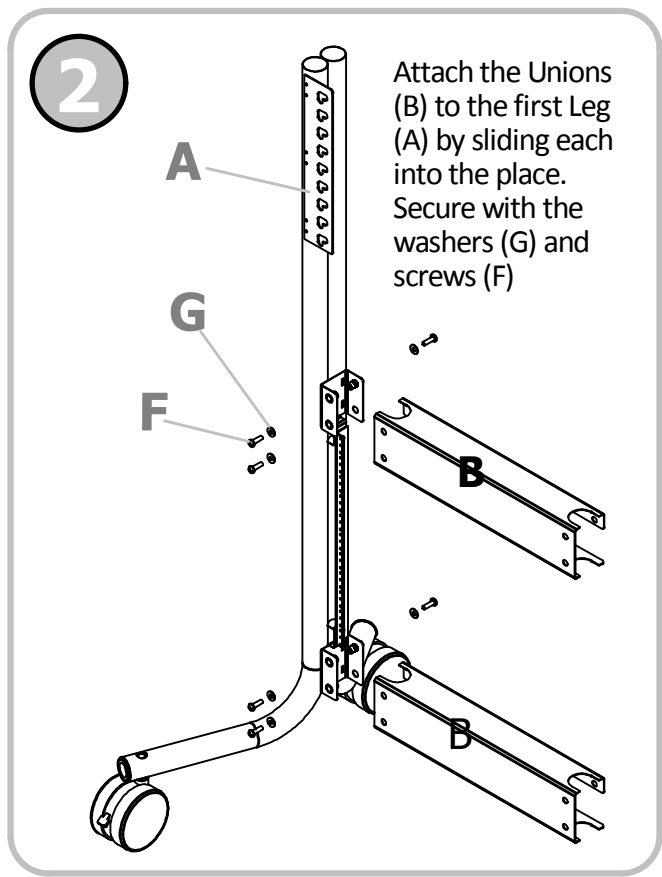
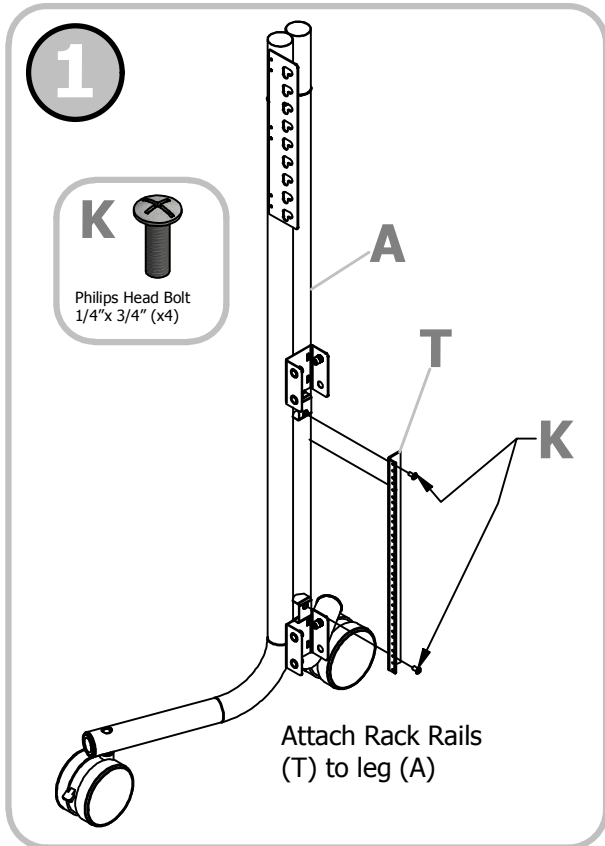
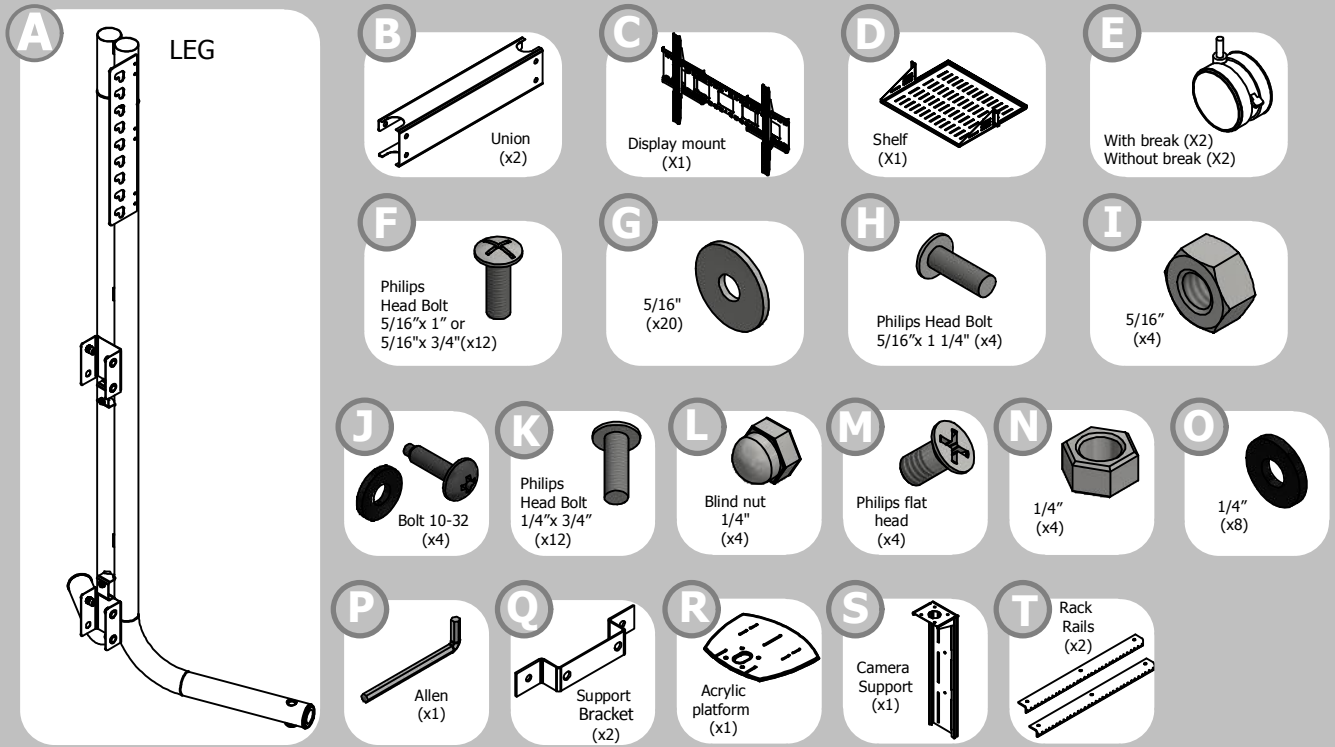
EASY SETUP GUIDE

---

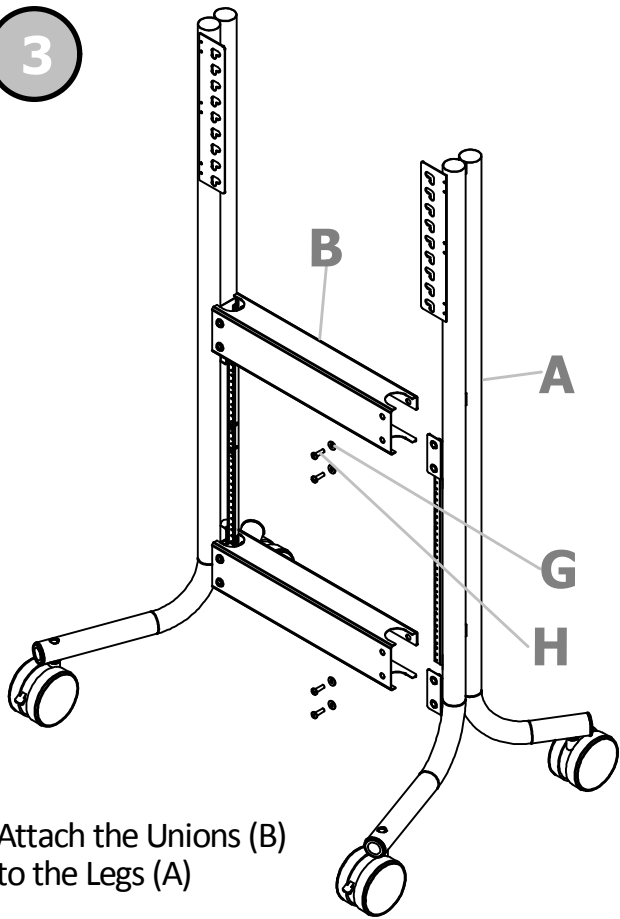
RPS-500 S/L



# Items Included

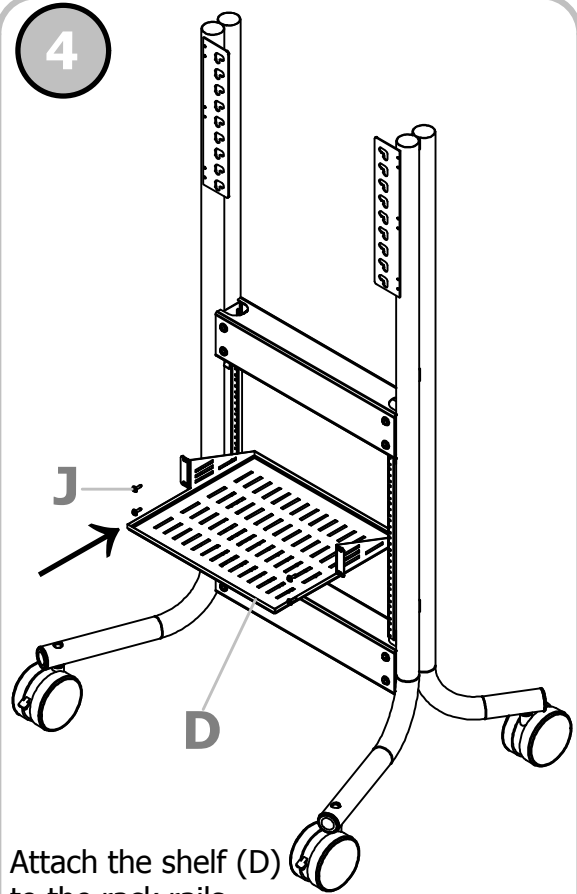


3



Attach the Unions (B)  
to the Legs (A)

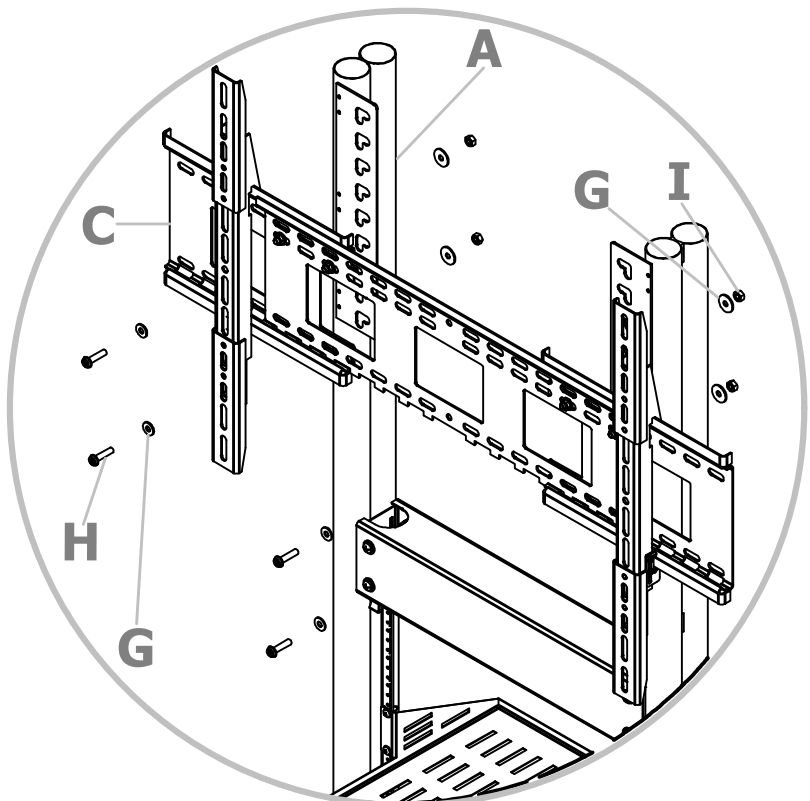
4

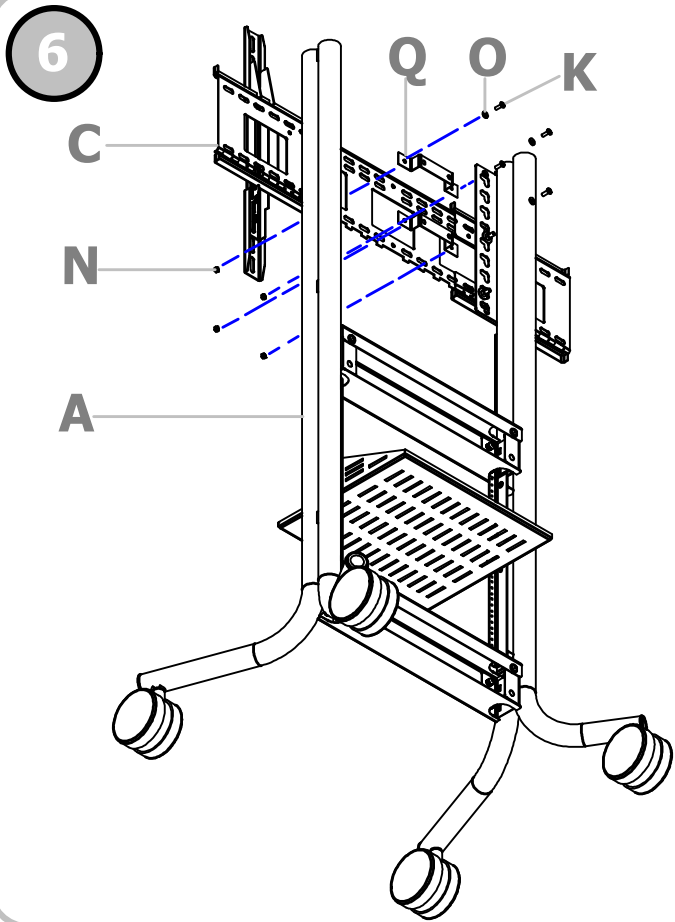


Attach the shelf (D)  
to the rack rails

5

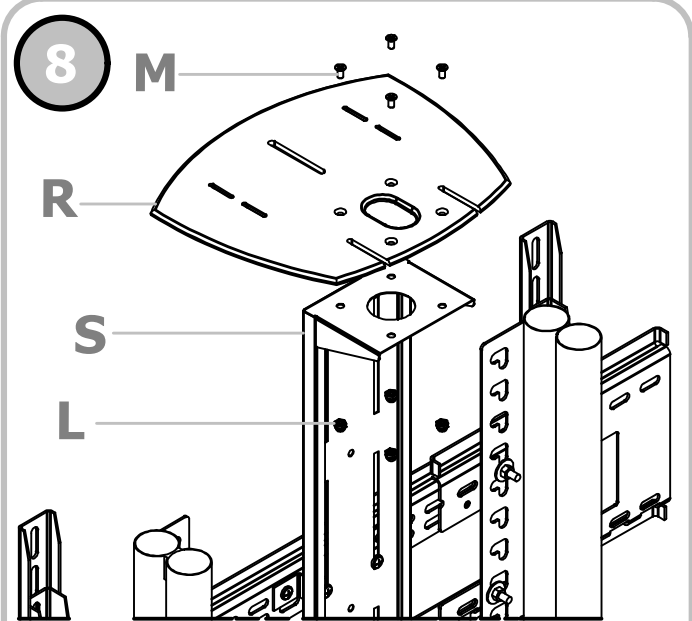
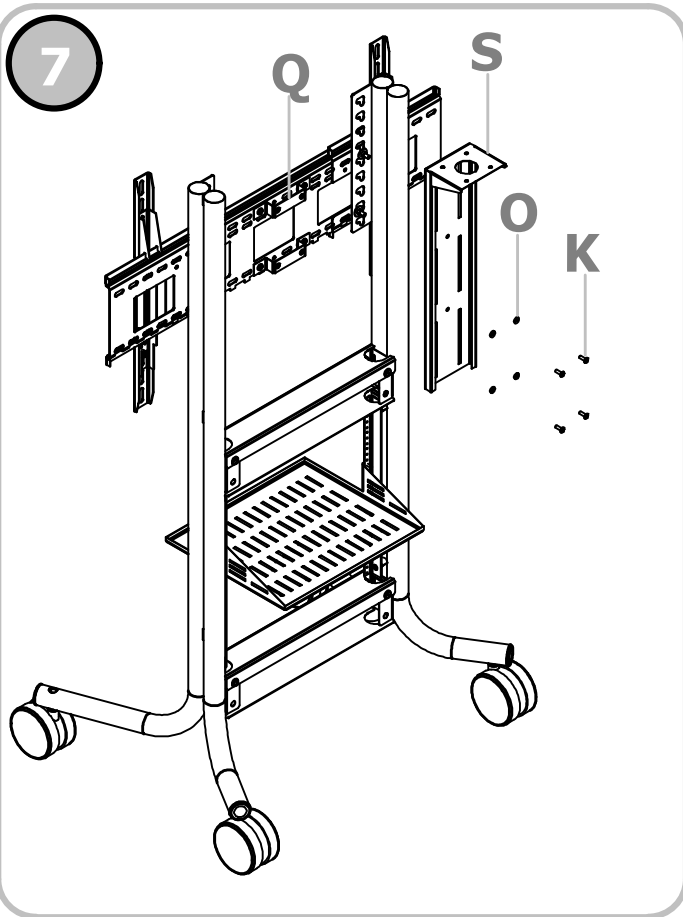
Install the display mount (C)  
to the cart legs (A) using the  
hardware indicated





Attach Support Bracket (Q) to Display Mount (C)

NOTE: See instructions inside Display Mount box to mount flat screen on cart. Please secure the flat screen to the cart at a desired height before moving on to step 7.



Attach acrylic (R) to Camera Support (S) then attach camera support (S) to Support Bracket (Q) at desired height.