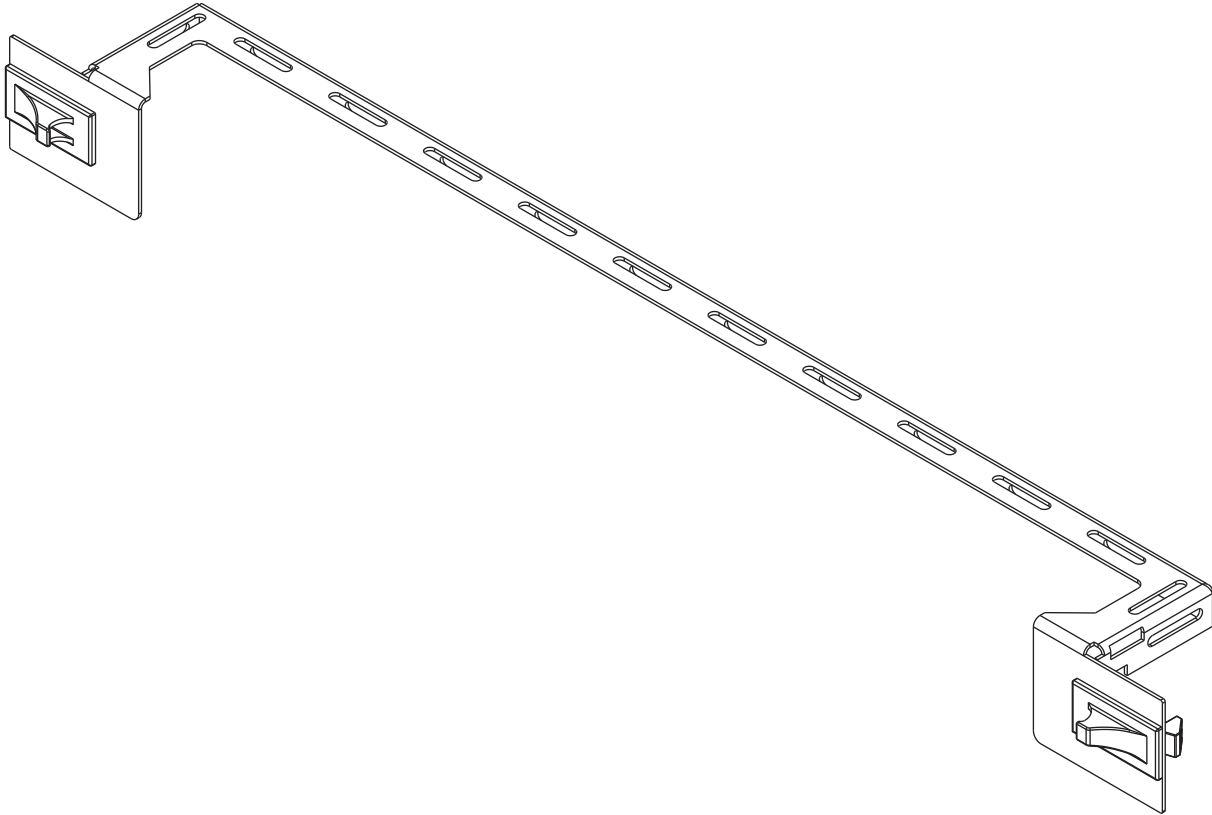


INSTRUCTION SHEET

FORWARD BY MIDDLE ATLANTIC

TOOL-LESS RACKMOUNT ACCESSORIES



NOTE: The 2A Lacer Bar (Model No. FWD-LB-2A-4PK) is pictured.

THANK YOU

Thank you for purchasing a Forward Tool-less Rackmount Accessory by Middle Atlantic Products. Please read these instructions thoroughly before installing or assembling this product.

PRODUCT FEATURES

- No rack screws! Install your rackmount accessories without any hardware.
- Ergonomic design for easy installation and removal.
- Spring loaded clips secure panel into the Forward rackrail.



IMPORTANT SAFETY INSTRUCTIONS

- Read these instructions.
- Heed all warnings.
- Clean only with dry cloth.
- Keep these instructions.
- Follow all instructions.
- Only use attachments/accessories specified by the manufacturer.



WARNING: A warning alerts you to a situation that could result in serious personal injury or death.



WARNING: Middle Atlantic Products, Inc. electrical systems conform to and should be properly grounded in compliance with requirements of the current National Electrical Code or codes administered by local authorities. All electrical products may present a possible shock or fire hazard if improperly installed or used. Middle Atlantic Products, Inc. electrical products may bear the mark of a Nationally Recognized Testing Laboratory (NRTL) and should be installed in conformance with current local and/or the National Electrical Code.



WARNING: Failure to read, understand and follow the following information can result in serious personal injury, damage to the equipment or voiding of the warranty. It is the responsibility of the Installer/User to ensure that this product is loaded according to specifications.

INSTRUCTIONS IMPORTANTES SUR LA SÉCURITÉ

- Lire ces instructions.
- Respectez tous les avertissements.
- Nettoyer uniquement avec un chiffon sec.
- Conservez ces instructions.
- Suivez toutes les instructions.
- N'utilisez que des accessoires spécifiés par le fabricant.



AVERTISSEMENT: Un avertissement vous avertit d'une situation pouvant entraîner des blessures graves ou la mort.



AVERTISSEMENT: Middle Atlantic Products, Inc. électrique systèmes conformes à devraient être mis à la terre dans conformité avec les exigences de la National actuelle ou comme les codes électrique administré par les autorités locales autorités. Tous les produits électriques peuvent présenter un choc ou un incendie danger si elle est mal installé ou utilisé. Middle Atlantic Products, Inc. produits électriques peuvent porter la marque d'un Nationally Recognized Testing Laboratory (NRTL) et doit être installé en conformité avec courant local et/ou le National Electrical Code.

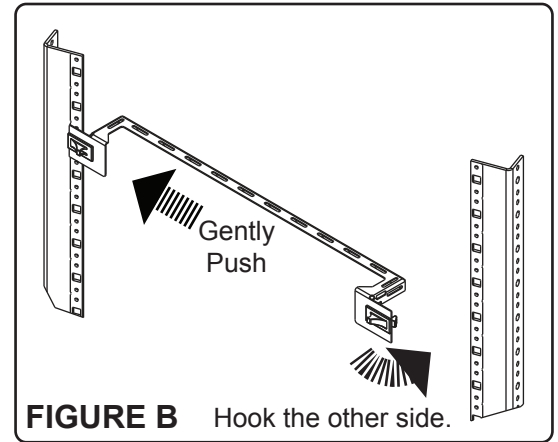
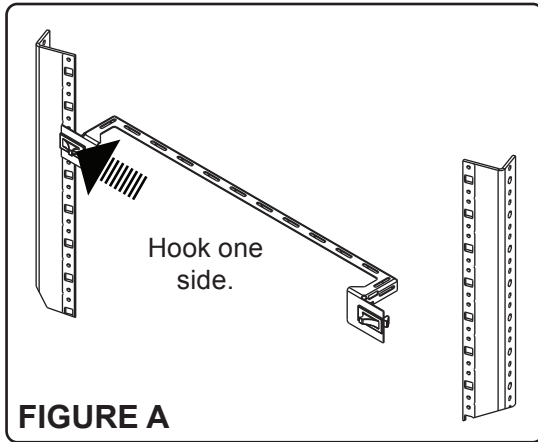
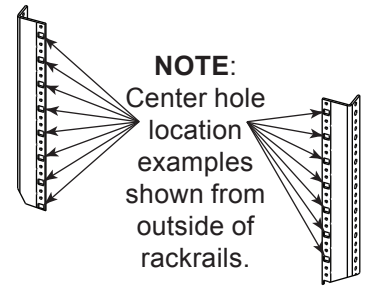


AVERTISSEMENT: Refus de lire, comprendre et suivre la renseignements suivants peut traduire par de graves blessures, des dommages à l'équipement ou invalider la garantie. Il est la responsabilité de l'installateur / utilisateur de s'assurer que ce produit est chargé conformément aux spécifications.

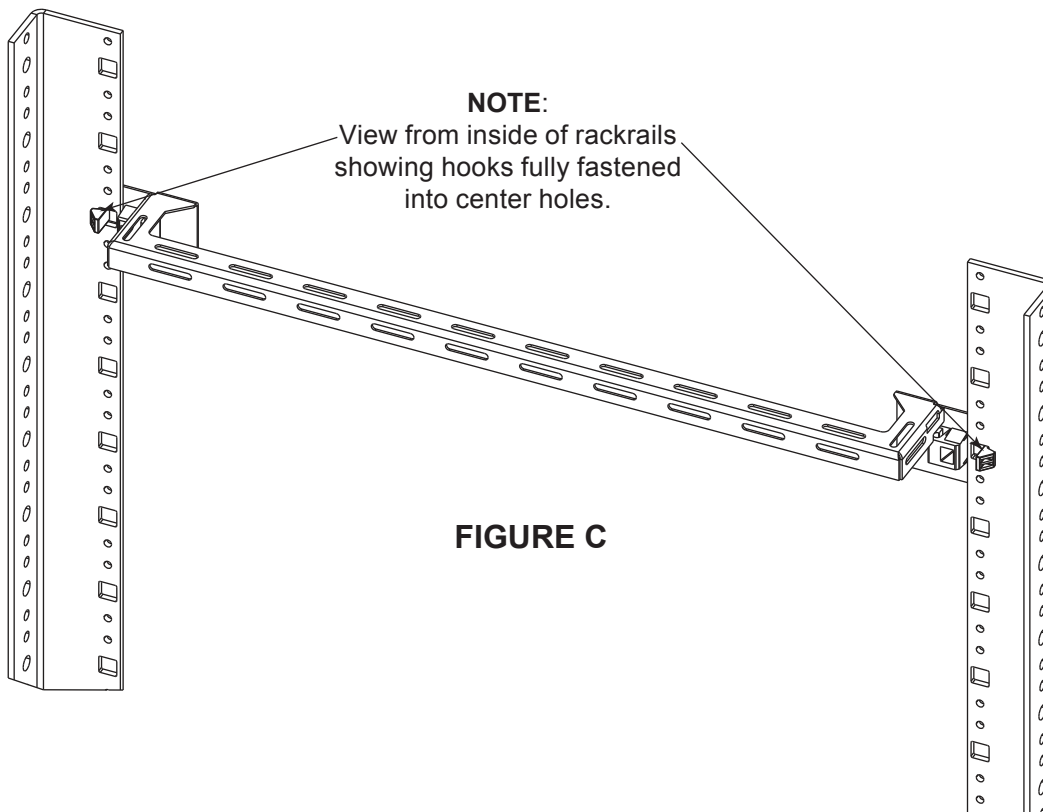
INSTALLING YOUR ACCESSORY

NOTE: This instruction sheet covers the general installation of Tool-less Rackmount Accessories using the 2A Lacer Bar (Model No. FWD-LB-2A-4PK). All of the Tool-less Rackmount Accessories install similar to the method explained in this topic.

1. Fasten the hook on one side of your accessory into your desired center hole as shown. (**FIGURE A**)
2. Gently push your accessory toward the fastened side while swinging the hook on the other side of your accessory into the other center hole. (**FIGURE B**)



NOTE: Ensure the tool-less clip hooks on your accessory are fully fastened into your desired center holes as shown. (**FIGURE C**)



WARRANTY

For warranty information, refer to <http://www.middleatlantic.com/company/about-us.aspx#warranty>

Corporate Headquarters

Voice: 973-839-1011 - Fax: 973-839-1976 - International Voice: +1 973-839-8821 -
Fax: +1 973-839-4982 - www.middleatlantic.com - info@middleatlantic.com

Middle Atlantic Canada

Voice: 613-836-2501 - Fax: 613-836-2690 - ca.middleatlantic.com -
customerservicecanada@middleatlantic.ca

Middle Atlantic EMEA Technical Support

Voice: +31 (0) 495 726002 - av.emea.middleatlantic.support@legrand.com

Factory Distribution

United States: New Jersey, California, Illinois - Canada: Ontario - The Netherlands: Weert

At Middle Atlantic Products we are always listening. Your comments are welcome.

Middle Atlantic Products is an ISO 9001 and ISO 14001 Registered Company.



Middle Atlantic Products

what great systems are built on™

middleatlantic.com ■ 800.266.7225