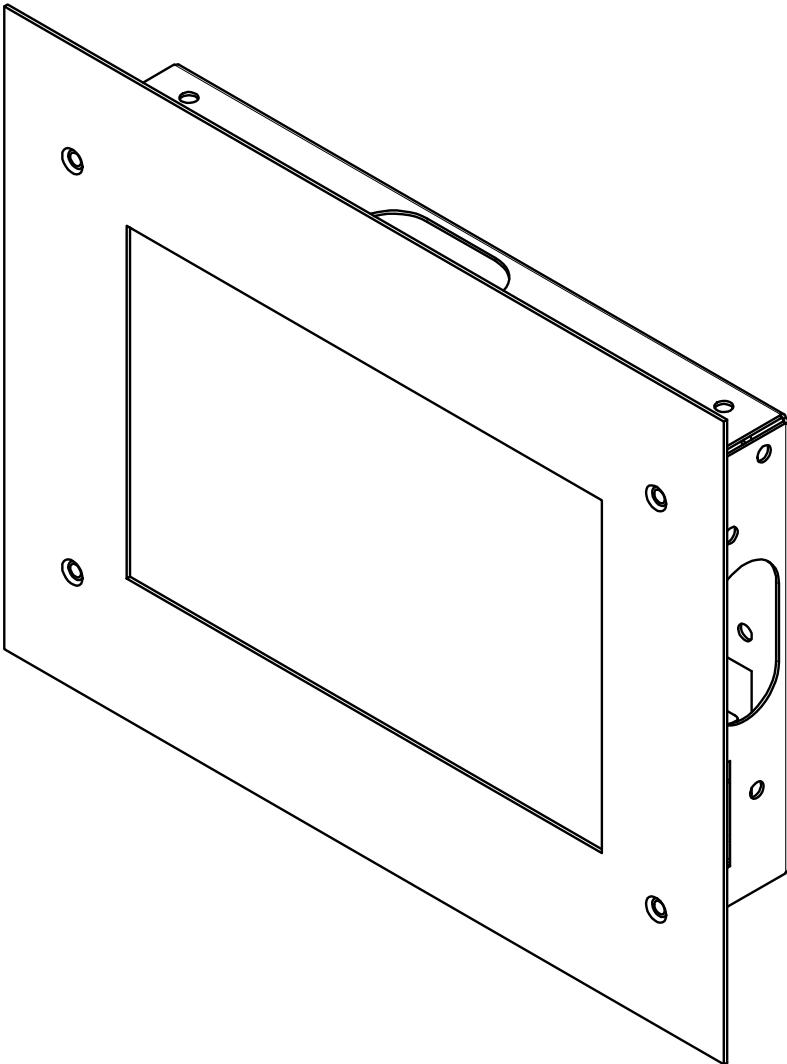




# Install Guide

---

P10-WMP

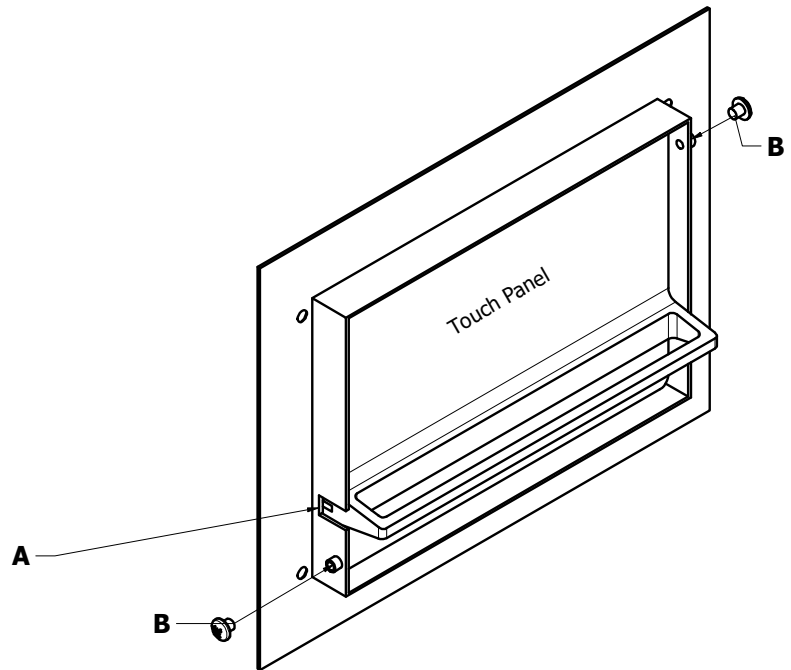


1

A) Place touch panel in face plate with USB port in cutout.

B) Screw  $\frac{1}{4}$ -20 machine screws into threaded nuts from the outside.

C) Wedge included foam pieces between touch panel and screws to create a tight fit.

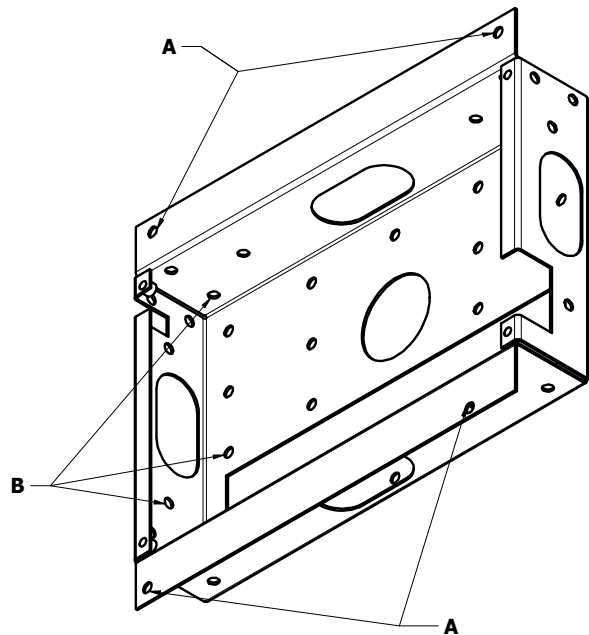


2

Slide the wall box into the pre-cut hole in the wall. Then, secure wall box into wall using one of two methods:

A) use drywall anchors in flange holes

B) Use proper screws to attach the box directly to studs with any of the  $\frac{1}{4}$ " holes inside the box.



3

A) Slide the face plate with touch panel into place in the wall box.

B) Use the four  $\frac{1}{4}$ -20 screws provided to secure the face plate to the wall box.

