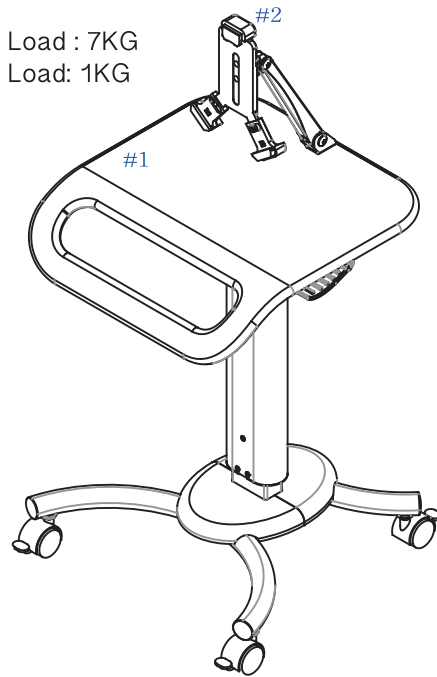


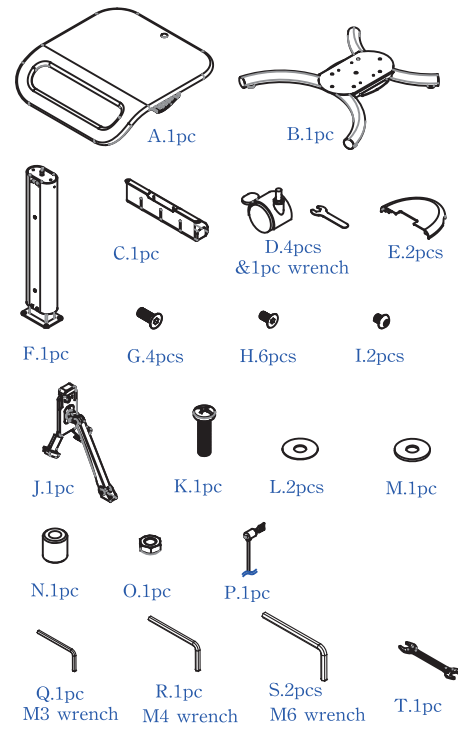


Height-Adjustable Rolling Security
Workstation Cart
QPAD-HRSW

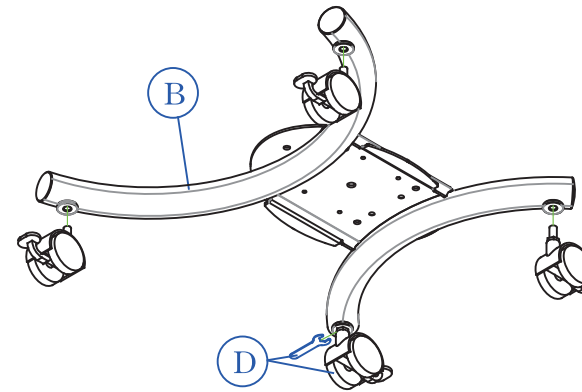
#1 Max Load : 7KG
#2 Max Load: 1KG



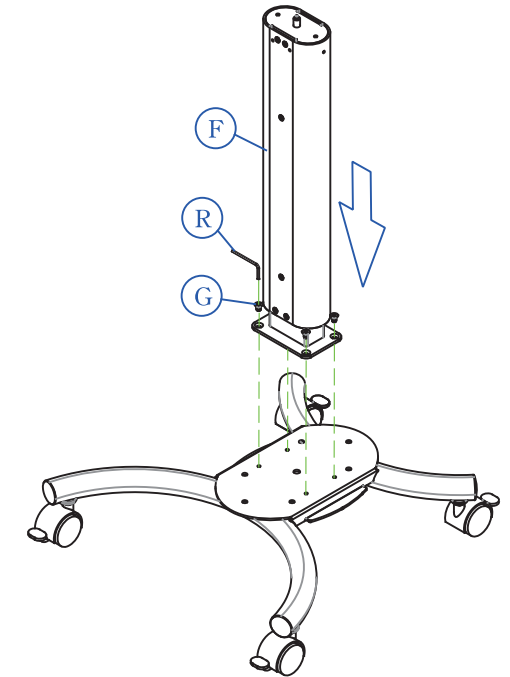
Contents



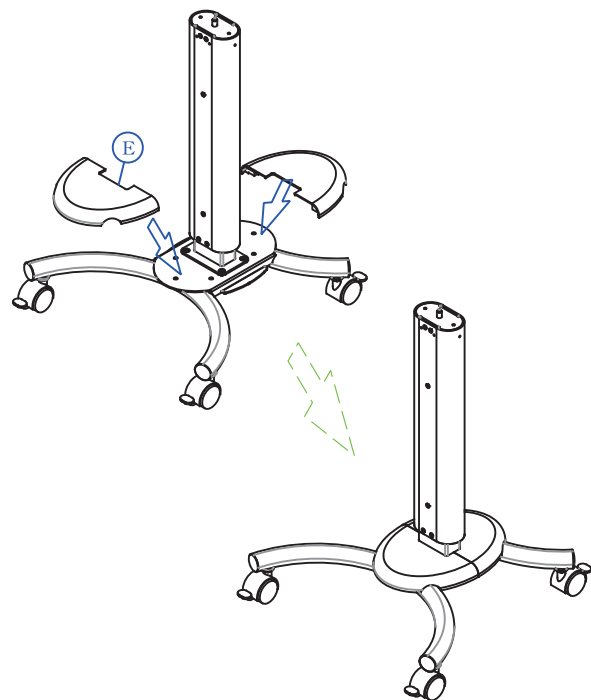
1. Insert and tighten the wheels



2. Line up and screw in the body

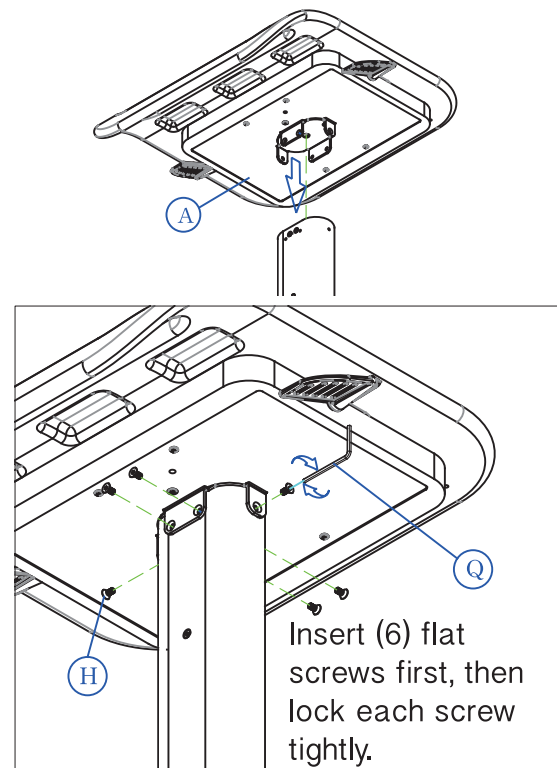


3. Attach Base Cover

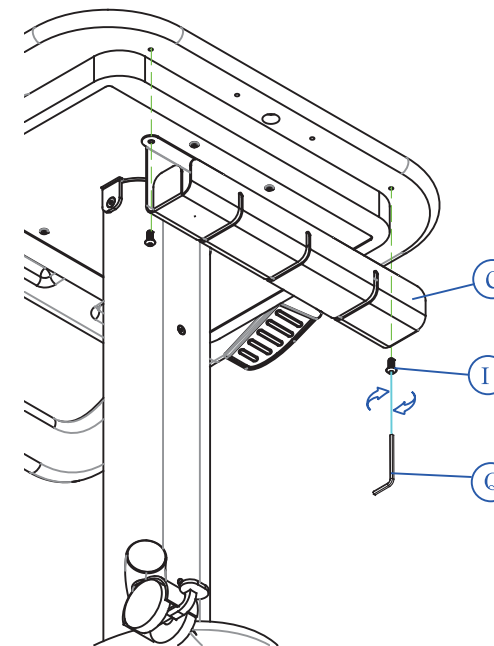


4. Line up tray with body

5. Insert and tighten screws

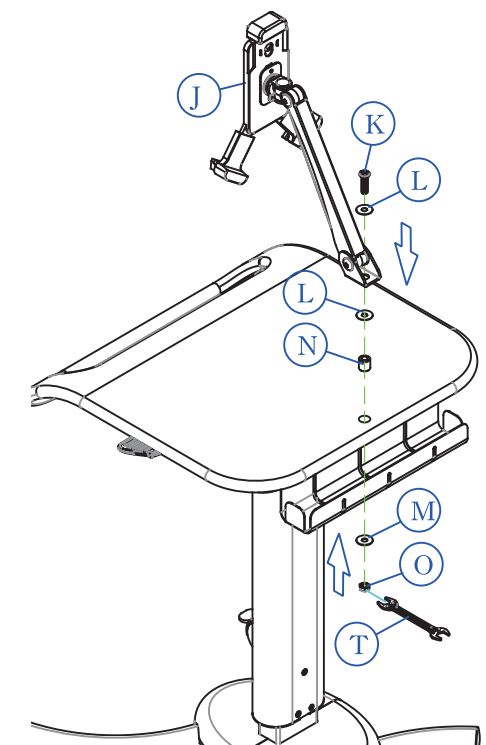


6. Screw in accessories holder

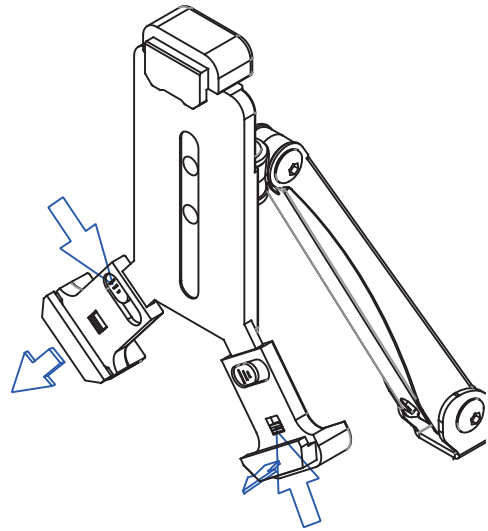


7. Install arm, tri-grip holder

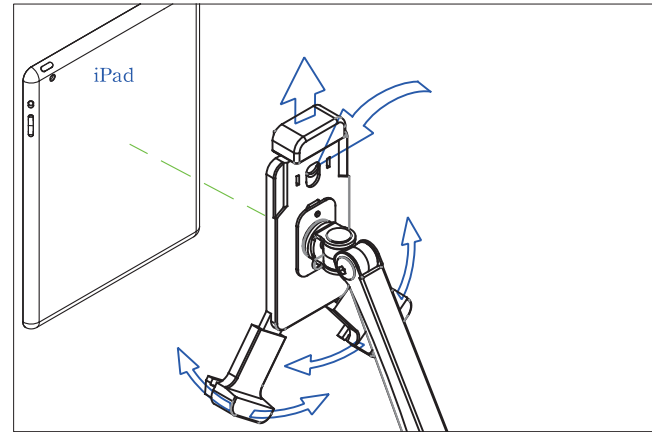
bolts, washers & accessories as shown



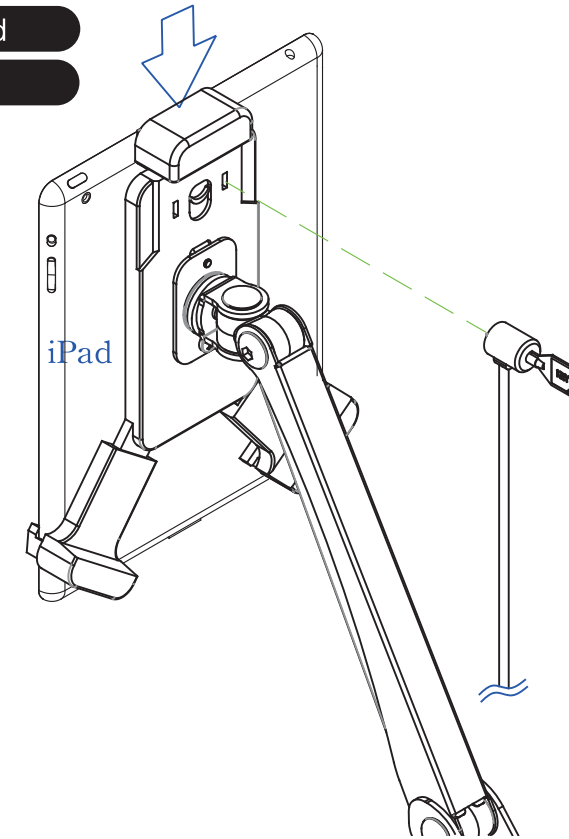
8. Press switch to adjust height



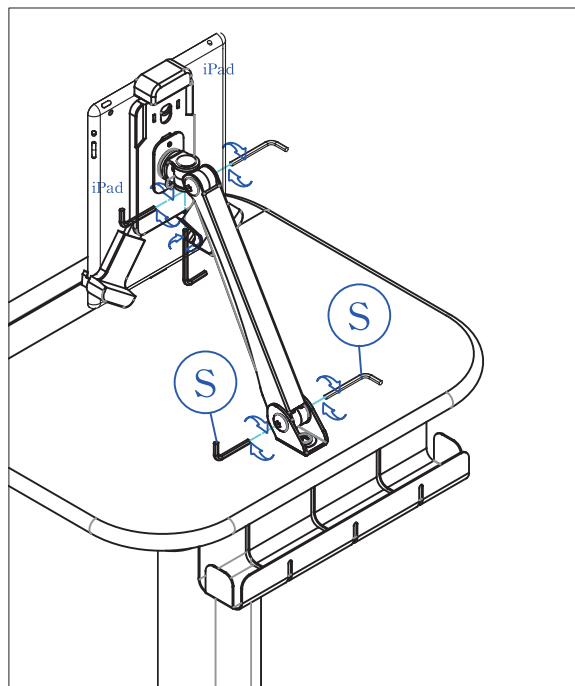
9. Press the switch the adjust height



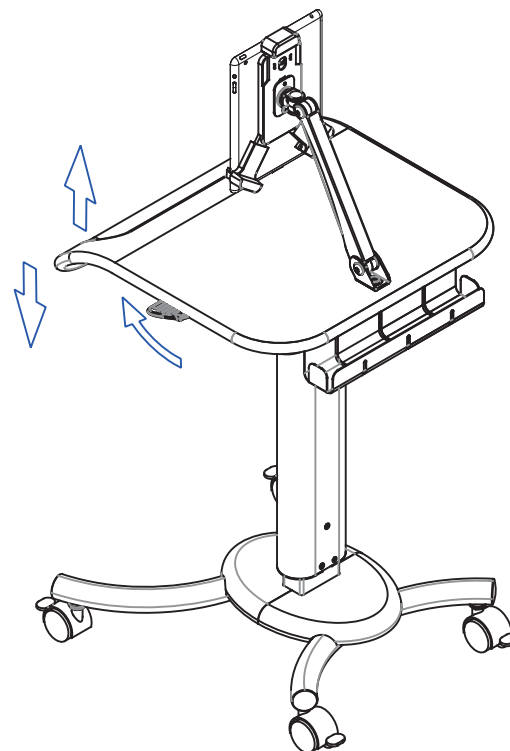
10. Adjust the lock as needed to fit the Tablet



11. Adjust screws as needed



12. Adjust height as needed by pressing handle



CTA DIGITAL
Brooklyn NY 11205
support@ctadigital.com