



Mini PC PB50 Series

User Manual



COPYRIGHT INFORMATION

No part of this manual, including the products and software described in it, may be reproduced, transmitted, transcribed, stored in a retrieval system, or translated into any language in any form or by any means, except documentation kept by the purchaser for backup purposes, without the express written permission of ASUSTeK COMPUTER INC. ("ASUS").

ASUS PROVIDES THIS MANUAL "AS IS" WITHOUT WARRANTY OF ANY KIND, EITHER EXPRESS OR IMPLIED, INCLUDING BUT NOT LIMITED TO THE IMPLIED WARRANTIES OR CONDITIONS OF MERCHANTABILITY OR FITNESS FOR A PARTICULAR PURPOSE. IN NO EVENT SHALL ASUS, ITS DIRECTORS, OFFICERS, EMPLOYEES OR AGENTS BE LIABLE FOR ANY INDIRECT, SPECIAL, INCIDENTAL, OR CONSEQUENTIAL DAMAGES (INCLUDING DAMAGES FOR LOSS OF PROFITS, LOSS OF BUSINESS, LOSS OF USE OR DATA, INTERRUPTION OF BUSINESS AND THE LIKE), EVEN IF ASUS HAS BEEN ADVISED OF THE POSSIBILITY OF SUCH DAMAGES ARISING FROM ANY DEFECT OR ERROR IN THIS MANUAL OR PRODUCT.

Products and corporate names appearing in this manual may or may not be registered trademarks or copyrights of their respective companies, and are used only for identification or explanation and to the owners' benefit, without intent to infringe.

SPECIFICATIONS AND INFORMATION CONTAINED IN THIS MANUAL ARE FURNISHED FOR INFORMATIONAL USE ONLY, AND ARE SUBJECT TO CHANGE AT ANY TIME WITHOUT NOTICE, AND SHOULD NOT BE CONSTRUED AS A COMMITMENT BY ASUS. ASUS ASSUMES NO RESPONSIBILITY OR LIABILITY FOR ANY ERRORS OR INACCURACIES THAT MAY APPEAR IN THIS MANUAL, INCLUDING THE PRODUCTS AND SOFTWARE DESCRIBED IN IT.

Copyright © 2019 ASUSTeK COMPUTER INC. All Rights Reserved.

LIMITATION OF LIABILITY

Circumstances may arise where because of a default on ASUS' part or other liability, you are entitled to recover damages from ASUS. In each such instance, regardless of the basis on which you are entitled to claim damages from ASUS, ASUS is liable for no more than damages for bodily injury (including death) and damage to real property and tangible personal property; or any other actual and direct damages resulted from omission or failure of performing legal duties under this Warranty Statement, up to the listed contract price of each product.

ASUS will only be responsible for or indemnify you for loss, damages or claims based in contract, tort or infringement under this Warranty Statement.

This limit also applies to ASUS' suppliers and its reseller. It is the maximum for which ASUS, its suppliers, and your reseller are collectively responsible.

UNDER NO CIRCUMSTANCES IS ASUS LIABLE FOR ANY OF THE FOLLOWING: (1) THIRD-PARTY CLAIMS AGAINST YOU FOR DAMAGES; (2) LOSS OF, OR DAMAGE TO, YOUR RECORDS OR DATA; OR (3) SPECIAL, INCIDENTAL, OR INDIRECT DAMAGES OR FOR ANY ECONOMIC CONSEQUENTIAL DAMAGES (INCLUDING LOST PROFITS OR SAVINGS), EVEN IF ASUS, ITS SUPPLIERS OR YOUR RESELLER IS INFORMED OF THEIR POSSIBILITY.

SERVICE AND SUPPORT

Visit our multi-language web site at <https://www.asus.com/support/>

Contents

About this manual.....	5
Conventions used in this manual.....	6
Typography.....	6
Package contents	7

Getting to know your Mini PC

Features.....	10
Front view.....	10
Left view	12
Rear view.....	13

Using your Mini PC

Getting started	18
Mounting your device on the stand.....	18
Connect the AC power adapter to your Mini PC.....	19
Connect a display panel to your device.....	21
Connect the USB cable from keyboard or mouse	23
Turn on your Mini PC	24
Turning your Mini PC off	25
Putting your Mini PC to sleep.....	25
Entering the BIOS Setup.....	25
Load default BIOS settings.....	26

Upgrading your Mini PC

Removing the top cover.....	28
Replacing the top cover	29
Installing 2.5" HDD or SSD	30
Installing the M.2 SSD	32
Installing top memory module.....	34
Installing the wireless card.....	36
Installing an external button	37

Appendix

Safety information.....	40
Setting up your system	40
Care during use.....	40
Regulatory notices	42

About this manual

This manual provides information about the hardware and software features of your Mini PC, organized through the following chapters:

Chapter 1: Getting to know your Mini PC

This chapter details the hardware components of your Mini PC.

Chapter 2: Using your Mini PC

This chapter provides you with information on using your Mini PC.

Chapter 3: Upgrading your Mini PC

This chapter provides you with information on how to upgrade the memory modules, wireless modules, and hard disk drive / solid state drive of your Mini PC.

Appendix

This section includes notices and safety statements your Mini PC.

Conventions used in this manual

To highlight key information in this manual, some text are presented as follows:

IMPORTANT! This message contains vital information that must be followed to complete a task.

NOTE: This message contains additional information and tips that can help complete tasks.

WARNING! This message contains important information that must be followed to keep you safe while performing certain tasks and prevent damage to your Mini PC's data and components.

Typography

Bold text

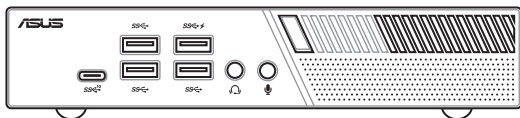
Indicates a menu or an item to select.

Italic

This indicates sections that you can refer to in this manual.

Package contents

Your Mini PC package contains the following items:



Mini PC



AC power adapter*



Power cord*



Technical documents

NOTE:

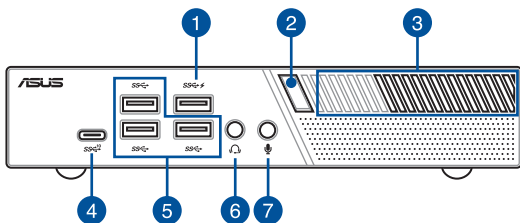
- *The bundled power adapter may vary by model and territories.
 - Some bundled accessories may vary with different models. For details on these accessories, refer to their respective user manuals.
 - The device illustration is for reference only. Actual product specifications may vary with models.
 - If the device or its components fail or malfunction during normal and proper use within the warranty period, bring the warranty card to the ASUS Service Center for replacement of the defective components.
-

1

***Getting to know your Mini
PC***

Features

Front view



1 USB 3.1 Gen 1 port

The USB 3.1 Gen 1 (Universal Serial Bus) port provides a transfer rate up to 5 Gbit/s. These ports also support the Battery Charging 1.2 technology that allows you to charge your USB devices.

NOTE: This port provides a maximum of 5V / 1.5A output.

2 **Power button**

The power button allows you to turn the Mini PC on or off. You can use the power button to put your Mini PC to sleep mode or press it for four (4) seconds to force shutdown your Mini PC.

3

Air vents (intake vent)

The air vents allow cooler air to enter your Mini PC chassis.

IMPORTANT: For an optimum heat dissipation and air ventilation, ensure that the air vents are free from obstructions.

4



USB 3.1 Gen 2 Type-C™ port

This USB Type-C™ (Universal Serial Bus) port provides a transfer rate of up to 10 Gbit/s.

5



USB 3.1 Gen 1 port

The USB 3.1 Gen 1 (Universal Serial Bus) port provides a transfer rate up to 5 Gbit/s.

6



Headphone/Headset jack

This port allows you to connect amplified speakers or headphones. You can also use this port to connect your headset or an external microphone.

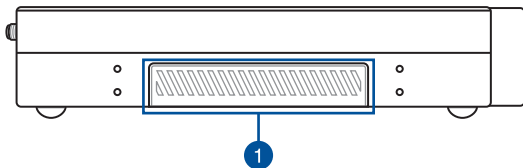
7



Microphone jack

The microphone jack is designed to connect to a microphone used for video conferencing, voice narrations, or simple audio recordings.

Left view



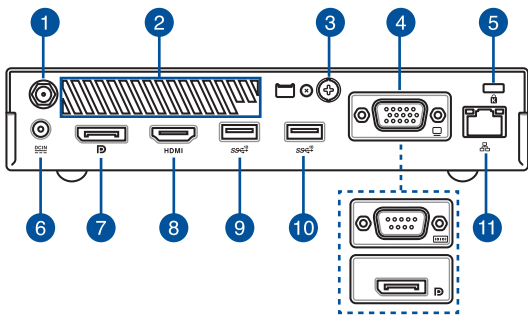
1

Graphics module port

This port allows you to connect the Graphics module with your Mini PC. If the port cover is attached, remove the cover before installing the Graphics module to your Mini PC.

NOTE: The availability of the Graphic module may vary between models and territories.

Rear view



1

Wireless antenna jack

The jack is used to connect the supplied wireless antenna to enhance wireless signal reception.

2

Air vents (exhaust vent)

The air vents allow your Mini PC chassis to expel hot air out.

IMPORTANT! For optimum heat dissipation and air ventilation, ensure that the air vents are free from obstructions.

CAUTION! Be careful of the hot air expelled at the air vents as it may cause discomfort or injuries.

3

Punch-out port

Removing the metal cover allows you to install an external power button or CLRTC button.

4

Configurable port

This port varies between models and consists of the following port options:



VGA port

This port allows you to connect your Mini PC to an external display.



Serial (COM) connector

The 9-pin serial (COM) connector allows you to connect devices that have serial ports such as mouse, modem, or printers.



DisplayPort

This port allows you to connect your Mini PC to an external display.

5



Kensington® security slot

The Kensington® security slot allows you to secure your PC using Kensington® compatible security products.






6



Power input

The supplied power adapter converts AC power to DC power for use with this jack. Power supplied through this jack supplies power to the Mini PC. To prevent damage to the Mini PC, always use the supplied power adapter.

WARNING! The power adapter may become warm to hot when in use. Do not cover the adapter and keep it away from your body.

- 7  **DisplayPort**
This port allows you to connect your Mini PC to an external display.
- 8 **HDMI**  **HDMI port**
The HDMI (High Definition Multimedia Interface) port supports a Full-HD device such as an LCD TV or monitor to allow viewing on a larger external display.
- 9  **USB 3.1 Gen 2 port**
The USB 3.1 Gen 2 (Universal Serial Bus) port provides a transfer rate up to 10 Gbit/s.
- 10  **USB 3.1 Gen 2 port (on selected models)**
The USB 3.1 Gen 2 (Universal Serial Bus) port provides a transfer rate up to 10 Gbit/s.
- 11  **LAN port**
The 8-pin RJ-45 LAN port supports a standard Ethernet cable for connection to a local network.

NOTE: This port supports 10M/bps, 100M/bps, and 1000M/bps connection speed.

2

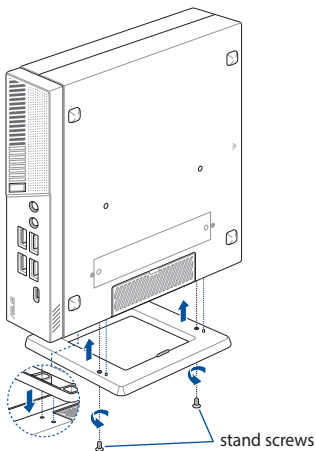
Using your Mini PC

Getting started

Mounting your device on the stand

To mount your Mini PC on the stand:

1. Locate the mounting holes at the bottom of your Mini PC.
2. Align the stand's mounting hole with the mounting hole on your Mini PC, then secure it in place with the stand screws.

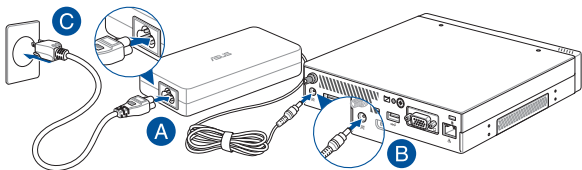


Connect the AC power adapter to your Mini PC

To connect the AC power adapter to your Mini PC:

- Connect the power cord to the AC power adapter.
- Connect the DC power connector into your Mini PC's power (DC) input.
- Plug the AC power adapter into a 100V~240V power source.

NOTE: The power adapter may vary in appearance, depending on models and your region.



NOTE:

The power adapter may vary between models and territories, please refer to the following for more information on the different adapters:

65W Power adapter

- Input voltage: 100-240 Vac
- Input frequency: 50-60 Hz
- Rating output current: 3.42 A (65 W)
- Rating output voltage: 19 V

90W Power adapter

- Input voltage: 100-240 Vac
 - Input frequency: 50-60 Hz
 - Rating output current: 4.74 A (90W)
 - Rating output voltage: 19 V
-

Connect a display panel to your device

You can connect a display panel or projector to your device that has the following connectors:

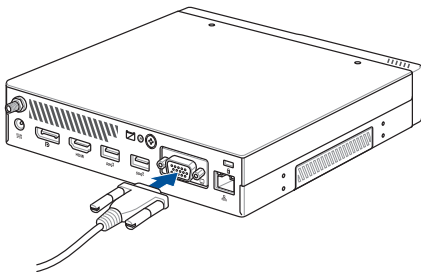
- VGA connector
- DisplayPort
- HDMI connector

NOTE: These ports may vary per model.

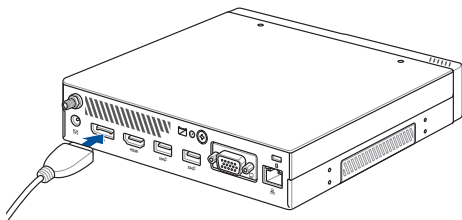
To connect a display panel to your Mini PC:

Connect one end of a VGA, DisplayPort, or HDMI cable to an external display, and the other end of the cable to your Mini PC's VGA port, DisplayPort, or an HDMI port.

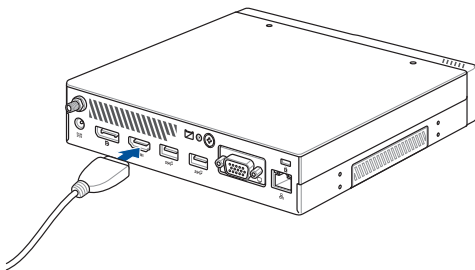
Connect display via VGA port



Connect display via DisplayPort



Connect display via HDMI port



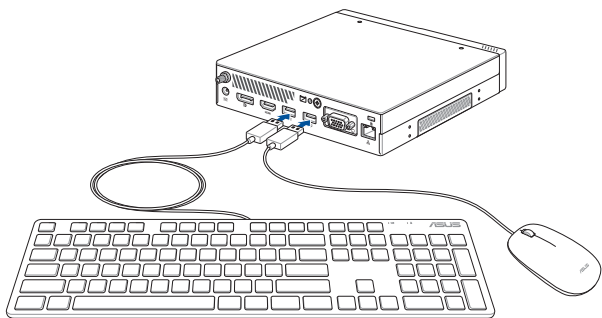
Connect the USB cable from keyboard or mouse

You can connect generally any USB keyboard and mouse to your Mini PC. You can also connect a USB dongle for a wireless keyboard and mouse set.

To connect a keyboard and mouse to your Mini PC:

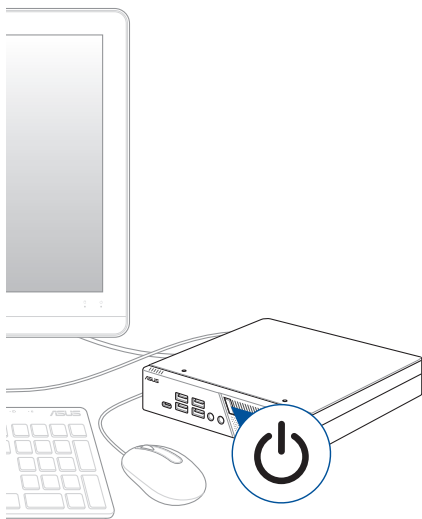
Connect the USB cable from your keyboard and mouse to any of the USB ports of your Mini PC.

NOTE: The keyboard varies with country or region.



Turn on your Mini PC

Press the power button to turn on your Mini PC.



Turning your Mini PC off

If your Mini PC is unresponsive, press and hold the power button for at least four (4) seconds until your Mini PC turns off.

Putting your Mini PC to sleep

To put your Mini PC on Sleep mode, press the Power button once.

Entering the BIOS Setup

BIOS (Basic Input and Output System) stores system hardware settings that are needed for system startup in the Mini PC.

In normal circumstances, the default BIOS settings apply to most conditions to ensure optimal performance. Do not change the default BIOS settings except in the following circumstances:

- An error message appears on the screen during the system bootup and requests you to run the BIOS Setup.
- You have installed a new system component that requires further BIOS settings or update.

WARNING! Inappropriate BIOS settings may result to instability or boot failure. We strongly recommend that you change the BIOS settings only with the help of a trained service personnel.

Load default BIOS settings

To load the default values for each of the parameters in your BIOS:

- Enter the BIOS by pressing <F2> or on the POST screen.
-

NOTE: POST (Power-On Self Test) is a series of software controlled diagnostic tests that run when you turn on your Mini PC.

- Navigate to the **Exit** menu.
- Select the **Load Optimized Defaults** option, or you may press <F5>.
- Select **OK** to load the default BIOS values.

3

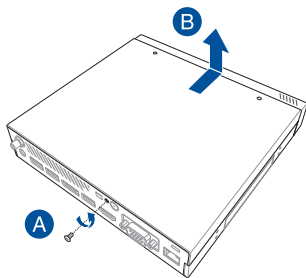
Upgrading your Mini PC

IMPORTANT! Ensure that your hands are dry before proceeding with the rest of the installation process. Before installing any of the features in this guide, use a grounded wrist strap or touch a safely grounded object or metal object to avoid damaging them due to static electricity.

NOTE: The illustrations in this section are for reference only. The slots may vary depending on model.

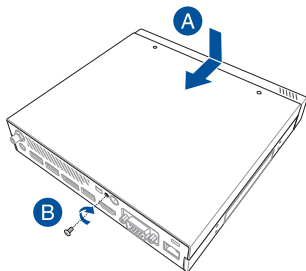
Removing the top cover

1. Turn off your Mini PC then disconnect all cables and peripherals.
2. Remove the screw from the rear (A), then push the top cover towards the front to remove the top cover (B).



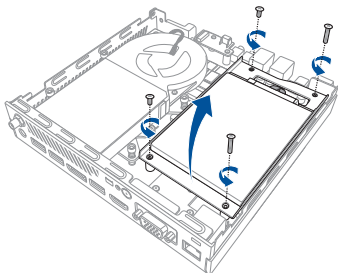
Replacing the top cover

Replace the top cover and push it towards the rear (A), then secure it with the screw removed previously (B).

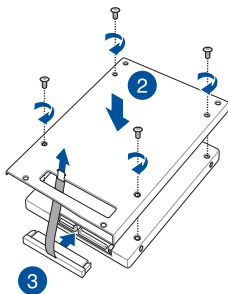


Installing 2.5" HDD or SSD

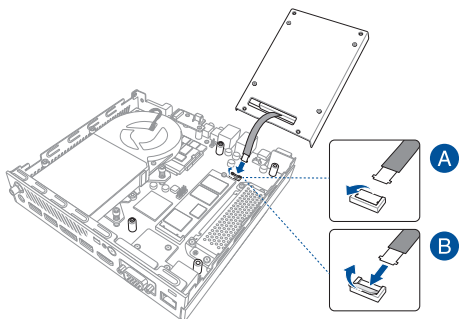
1. Remove the four (4) screws, then lift the storage bay to remove it from the chassis.



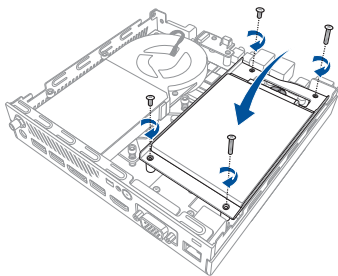
2. Insert your HDD or SSD into the storage bay, then secure it with four (4) screws.
3. Connect the SATA cable to the HDD or SSD.



4. Lift the flap on the SATA connector (A), connect the SATA cable to the SATA connector, then push the flap down to secure the cable (B).



5. Replace the storage bay and secure it with the four (4) screws removed previously.

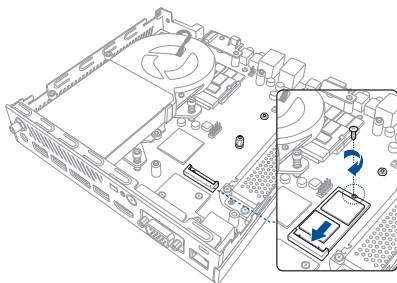


Installing the M.2 SSD

(optional) Remove the storage bay if a storage bay is installed. Follow step 2 under the *Installing 2.5" HDD or SSD* section to remove the storage bay.

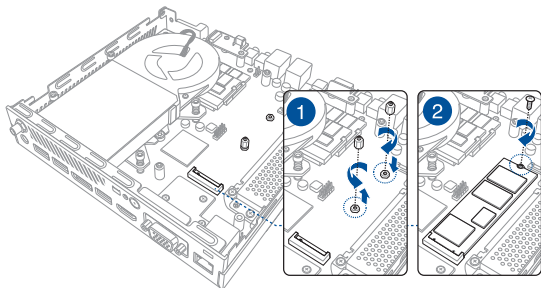
To install 2242 M.2 SSD

Align and insert the 2242 M.2 SSD into its slot inside the Mini PC, then gently push down the M.2 SSD on top of the screw hole and fasten it using one of the bundled 3mm round screws.



To install 2280 M.2 SSD

1. Remove the stand screw and install it into the 2280 M.2 screw hole.
2. Align and insert the 2280 M.2 SSD into its slot inside the Mini PC, then gently push down the M.2 SSD on top of the screw hole and fasten it using one of the bundled 3mm round screws.

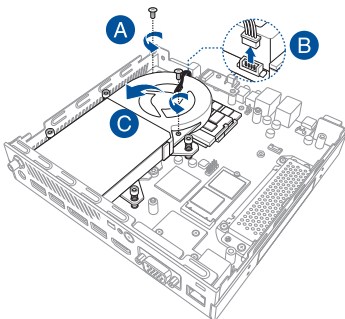


Installing top memory module

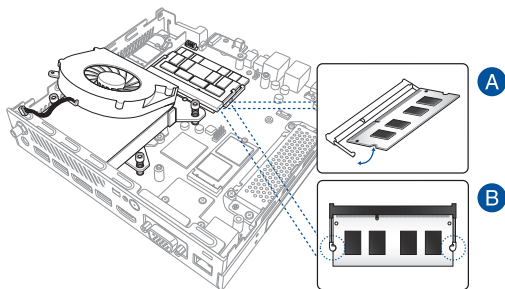
IMPORTANT!

- Refer to <http://www.asus.com> for the list of compatible DIMMs. You can only install DDR4 SO-DIMMs to the Mini PC's DIMM slot.
 - Only ASUS-authorized technicians should remove and install motherboard and mechanical parts inside your Mini PC. Please refer to the terms and conditions in the warranty card.
 - Visit an authorized ASUS service center or retailer for information on module upgrades for your Mini PC.
-

1. (optional) Remove the storage bay if a storage bay is installed. Follow step 2 under the *Installing 2.5" HDD or SSD* section to remove the storage bay.
2. Remove the two (2) screws securing the fan (A), then disconnect the fan connector (B) and lift the fan upwards so that it is perpendicular to the heatsink (C), but do not remove the fan completely.



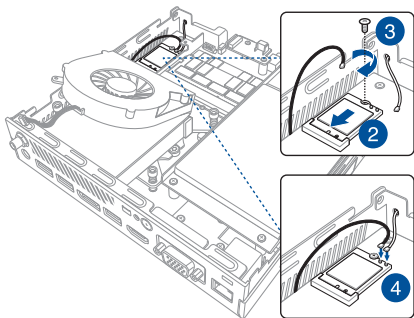
3. Align and insert the memory module into the slot (A) and press it down (B) until it is securely seated in place.



Installing the wireless card

NOTE: Your Mini PC includes a M.2 slot for 2230 wireless and Bluetooth modules. Refer to <http://www.asus.com> for the list of compatible wireless and Bluetooth modules.

1. Follow steps 1 and 2 under the *Installing top memory module* section to lift the fan before installing the wireless card.
2. Align and insert the wireless card into its slot inside the Mini PC.
3. Gently push down the wireless card on top of the screw hole and fasten it using the bundled 3mm round screw.
4. (optional) Connect the antennas to your wireless card.



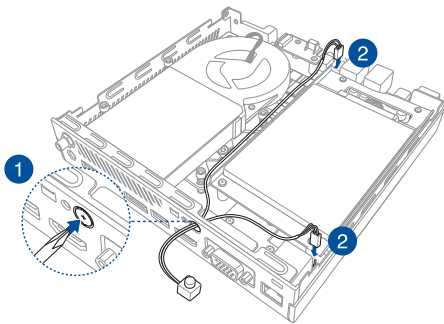
Installing an external button

1. Remove the metal cover of the punch-out port.

CAUTION! Take extra care when removing the metal cover. Use tools such as a screw driver to bend and remove the metal cover to avoid physical injury.

2. Insert the external button connector through the punch-out port and connect it to one of the following 2-pin headers:

Header name	Description
PWRBTN_HEADER	Power on or power off the Mini PC.
CLRRTC	Clear the Real Time Clock (RTC) RAM in CMOS.



Appendix

Safety information

Your Mini PC is designed and tested to meet the latest standards of safety for information technology equipment. However, to ensure your safety, it is important that you read the following safety instructions.

Setting up your system

- Read and follow all instructions in the documentation before you operate your system.
- Do not use this product near water or a heated source.
- Set up the system on a stable surface.
- Openings on the chassis are for ventilation. Do not block or cover these openings. Make sure you leave plenty of space around the system for ventilation. Never insert objects of any kind into the ventilation openings.
- Use this product in environments with ambient temperatures between 0°C and 35°C.
- If you use an extension cord, make sure that the total ampere rating of the devices plugged into the extension cord does not exceed its ampere rating.
- This equipment should be installed and operated with a minimum distance of 20cm between the radiator and your body.

Care during use

- Do not walk on the power cord or allow anything to rest on it.
- Do not spill water or any other liquids on your system.
- When the system is turned off, a small amount of electrical current still flows. Always unplug the power cord from the power outlets before cleaning the system.

- If you encounter the following technical problems with the product, unplug the power cord and contact a qualified service technician or your retailer.
 - The power cord or plug is damaged.
 - Liquid has been spilled into the system.
 - The system does not function properly even if you follow the operating instructions.
 - The system was dropped or the cabinet is damaged.
 - The system performance changes.

Lithium-Ion Battery Warning

CAUTION: Danger of explosion if battery is incorrectly replaced. Replace only with the same or equivalent type recommended by the manufacturer. Dispose of used batteries according to the manufacturer's instructions.

NO DISASSEMBLY

The warranty does not apply to the products that have been disassembled by users



DO NOT throw the Mini PC in municipal waste. This product has been designed to enable proper reuse of parts and recycling. This symbol of the crossed out wheeled bin indicates that the product (electrical, electronic equipment, and mercury-containing button cell battery) should not be placed in municipal waste. Check local technical support services for product recycling.

Regulatory notices

REACH

Complying with the REACH (Registration, Evaluation, Authorization, and Restriction of Chemicals) regulatory framework, we publish the chemical substances in our products at ASUS REACH website at <http://csr.asus.com/english/REACH.htm>

ASUS Recycling/Takeback Services

ASUS recycling and takeback programs come from our commitment to the highest standards for protecting our environment. We believe in providing solutions for you to be able to responsibly recycle our products, batteries, other components, as well as the packaging materials. Please go to <http://csr.asus.com/english/Takeback.htm> for the detailed recycling information in different regions.

COATING NOTICE

IMPORTANT! To provide electrical insulation and maintain electrical safety, a coating is applied to insulate the device except on the areas where the I/O ports are located.

RF exposure warning

This equipment must be installed and operated in accordance with provided instructions and the antenna(s) used for this transmitter must be installed to provide a separation distance of at least 20 cm from all persons and must not be co-located or operating in conjunction with any other antenna or transmitter. End-users and installers must be provide with antenna installation instructions and transmitter operating conditions for satisfying RF exposure compliance.

Federal Communications Commission Statement

This device complies with Part 15 of the FCC Rules. Operation is subject to the following two conditions:

- This device may not cause harmful interference, and
- This device must accept any interference received including interference that may cause undesired operation.

This equipment has been tested and found to comply with the limits for a Class B digital device, pursuant to Part 15 of the FCC Rules. These limits are designed to provide reasonable protection against harmful interference in a residential installation.

This equipment generates, uses and can radiate radio frequency energy and, if not installed and used in accordance with manufacturer's instructions, may cause harmful interference to radio communications. However, there is no guarantee that interference will not occur in a particular installation. If this equipment does cause harmful interference to radio or television reception, which can be determined by turning the equipment off and on, the user is encouraged to try to correct the interference by one or more of the following measures:

- Reorient or relocate the receiving antenna.
- Increase the separation between the equipment and receiver.
- Connect the equipment to an outlet on a circuit different from that to which the receiver is connected.
- Consult the dealer or an experienced radio/TV technician for help.

IMPORTANT! Outdoor operations in the 5.15~5.25 GHz band is prohibited. This device has no Ad-hoc capability for 5250~5350 and 5470~5725 MHz.

CAUTION! Any changes or modifications not expressly approved by the grantee of this device could void the user's authority to operate the equipment.

ISED Radiation Exposure Statement for Canada

This equipment complies with ISED radiation exposure limits set forth for an uncontrolled environment. To maintain compliance with ISED RF exposure compliance requirements, please avoid direct contact to the transmitting antenna during transmitting. End users must follow the specific operating instructions for satisfying RF exposure compliance.

Operation is subject to the following two conditions:

- This device may not cause interference and
- This device must accept any interference, including interference that may cause undesired operation of the device.

Compliance Statement of Innovation, Science and Economic Development Canada (ISED)

This device complies with Innovation, Science and Economic Development Canada licence exempt RSS standard(s). Operation is subject to the following two conditions: (1) this device may not cause interference, and (2) this device must accept any interference, including interference that may cause undesired operation of the device.

CAN ICES-3(B)/NMB-3(B)

Déclaration de conformité de Innovation, Sciences et Développement économique Canada (ISED)

Le présent appareil est conforme aux CNR d'Innovation, Sciences et Développement économique Canada applicables aux appareils radio exempts de licence. L'exploitation est autorisée aux deux conditions suivantes : (1) l'appareil ne doit pas produire de brouillage, et (2) l'utilisateur de l'appareil doit accepter tout brouillage radioélectrique subi, même si le brouillage est susceptible d'en compromettre le fonctionnement.

CAN ICES-3(B)/NMB-3(B)

Wireless Operation Channel for Different Domains

N. America	2.412-2.462 GHz	Ch01 through CH11
Japan	2.412-2.484 GHz	Ch01 through Ch14
Europe ETSI	2.412-2.472 GHz	Ch01 through Ch13

Regional notice for California



WARNING

Cancer and Reproductive Harm -
www.P65Warnings.ca.gov

ENERGY STAR complied product

ENERGY STAR is a joint program of the U.S. Environmental Protection Agency and the U.S. Department of Energy helping us all save money and protect the environment through energy efficient products and practices.



All ASUS products with the ENERGY STAR logo comply with the ENERGY STAR standard, and the power management feature is enabled by default. The monitor and computer are automatically set to sleep after 10 and 30 minutes of user inactivity. To

wake your computer, click the mouse or press any key on the keyboard.

Please visit <http://www.energystar.gov/powermanagement> for detail information on power management and its benefits to the environment. In addition, please visit <http://www.energystar.gov> for detail information on the ENERGY STAR joint program.

NOTE: Energy Star is NOT supported on FreeDOS and Linux-based products.



Mini PC

Série PB50

Manuel de l'utilisateur



INFORMATIONS SUR LES DROITS D'AUTEUR

Aucun extrait de ce manuel, incluant les produits et logiciels qui y sont décrits, ne peut être reproduit, transmis, transcrit, stocké dans un système de restitution, ou traduit dans quelque langue que ce soit sous quelque forme ou quelque moyen que ce soit, à l'exception de la documentation conservée par l'acheteur dans un but de sauvegarde, sans la permission écrite expresse de ASUSTeK COMPUTER INC. ("ASUS").

ASUS FOURNIT CE MANUEL "EN L'ÉTAT" SANS GARANTIE D'AUCUNE SORTE, EXPLICITE OU IMPLICITE, Y COMPRIS, MAIS NON LIMITÉ AUX GARANTIES IMPLICITES OU AUX CONDITIONS DE COMMERCIALISABILITÉ OU D'ADÉQUATION À UN BUT PARTICULIER. EN AUCUN CAS ASUS, SES DIRECTEURS, SES CADRES, SES EMPLOYÉS OU SES AGENTS NE PEUVENT ÊTRE TENUS RESPONSABLES DES DÉGÂTS INDIRECTS, SPÉCIAUX, ACCIDENTELS OU CONSÉCUTIFS (Y COMPRIS LES DÉGÂTS POUR MANQUE À GAGNER, PERTES DE PROFITS, PERTE DE JOUISSANCE OU DE DONNÉES, INTERRUPTION PROFESSIONNELLE OU ASSIMILÉ), MÊME SI ASUS A ÉTÉ PRÉVENU DE LA POSSIBILITÉ DE TELS DÉGÂTS DÉCOULANT DE TOUT DÉFAUT OU ERREUR DANS LE PRÉSENT MANUEL OU PRODUIT.

Les noms des produits et des sociétés qui apparaissent dans le présent manuel peuvent être, ou non, des marques commerciales déposées, ou sujets à copyrights pour leurs sociétés respectives, et ne sont utilisés qu'à des fins d'identification ou d'explication, et au seul bénéfice des propriétaires, sans volonté d'infraction.

LES SPÉCIFICATIONS ET LES INFORMATIONS CONTENUES DANS CE MANUEL SONT FOURNIES À TITRE INDICATIF SEULEMENT ET SONT SUJETTES À DES MODIFICATIONS SANS PRÉAVIS, ET NE DOIVENT PAS ÊTRE INTERPRÉTÉES COMME UN ENGAGEMENT DE LA PART D'ASUS. ASUS N'EST EN AUCUN CAS RESPONSABLE D'ÉVENTUELLES ERREURS OU INEXACTITUDES PRÉSENTES DANS CE MANUEL, Y COMPRIS LES PRODUITS ET LES LOGICIELS QUI Y SONT DÉCRITS.

Copyright © 2019 ASUSTeK COMPUTER INC. Tous droits réservés.

CLAUSE DE RESPONSABILITÉ LIMITÉE

Des dommages peuvent survenir suite à un défaut sur une pièce fabriquée par ASUS ou un tiers. Vous avez le droit à des dommages et intérêts auprès d'ASUS. Dans un tel cas, indépendamment de la base sur laquelle vous avez droit de revendiquer les dommages et intérêts auprès d'ASUS, ASUS ne peut être responsable de plus que des dommages et intérêts pour les dommages corporels (y compris la mort) et les dégâts aux biens immobiliers et aux biens personnels tangibles ; ou les autres dommages et intérêts réels et directs résultant de l'omission ou de la défaillance d'exécuter ses devoirs légaux au titre de la présente Déclaration de Garantie, jusqu'au prix forfaitaire officiel de chaque produit.

ASUS n'est responsable et ne peut vous indemniser qu'au titre des pertes, des dégâts ou revendications basés sur le contrat, des préjudices ou des infractions à cette Déclaration de Garantie.

Cette limite s'applique aussi aux fournisseurs d'ASUS et à ses revendeurs. Il s'agit du maximum auquel ASUS, ses fournisseurs, et votre revendeur, sont collectivement responsables.

EN AUCUNE CIRCONSTANCE ASUS N'EST RESPONSABLE POUR CE QUI SUIT : (1) LES REVENDICATIONS DE TIERS CONTRE VOUS POUR DES DOMMAGES ET INTÉRÊTS ; (2) LES PERTES, OU DÉGÂTS, À VOS ENREGISTREMENTS DE DONNÉES ; OU (3) LES DOMMAGES ET INTÉRÊTS SPÉCIAUX, FORTUITS, OU INDIRECTS OU POUR N'IMPORTE QUELS DOMMAGES ET INTÉRÊTS ÉCONOMIQUES CONSÉCUTIFS (INCLUANT LES PERTES DE PROFITS OU D'ÉCONOMIES), ET CE MÊME SI ASUS, SES FOURNISSEURS OU VOTRE REVendeur SONT INFORMÉS D'UNE TELLE POSSIBILITÉ.

SERVICE ET ASSISTANCE

Visitez notre site multilingue d'assistance en ligne sur <https://www.asus.com/support/>

Table des matières

À propos de ce manuel.....	5
Messages.....	6
Typographie.....	6
Contenu de la boîte.....	7

Présentation de votre mini PC

Caractéristiques matérielles.....	10
Vue avant.....	10
Côté gauche.....	12
Vue arrière.....	13

Utilisation de votre mini PC

Mise en route.....	18
Installer l'appareil sur son socle.....	18
Connecter l'adaptateur secteur à votre mini PC.....	19
Connecter un périphérique d'affichage à l'appareil.....	21
Connecter un clavier ou une souris USB.....	23
Allumer votre mini PC.....	24
Éteindre le mini PC.....	25
Basculer le mini PC en mode veille.....	25
Accéder à l'interface de configuration du BIOS.....	25
Charger les paramètres par défaut du BIOS.....	26

Mise à niveau du mini PC

Retirer le couvercle du dessus.....	28
Replacer le couvercle du dessus.....	29
Installer un disque dur ou lecteur SSD 2,5".....	30
Installer un module M.2 SSD.....	32
Installer un module de mémoire supérieur.....	34
Installer une carte Wi-Fi.....	36
Installer un bouton externe.....	37

Annexes

Consignes de sécurité.....	40
Configurer le système.....	40
Précautions à suivre lors de l'utilisation.....	40
Informations réglementaires.....	42

À propos de ce manuel

Ce manuel offre une vue d'ensemble des caractéristiques logicielles et matérielles de votre mini PC, et est constitué des chapitres suivants :

Chapitre 1 : Présentation de votre mini PC

Ce chapitre détaille les composants matériels de votre mini PC.

Chapitre 2 : Utilisation du mini PC

Ce chapitre offre des informations sur l'utilisation de votre mini PC.

Chapitre 3 : Mise à niveau du mini PC

Ce chapitre offre des instructions sur la mise à niveau des modules de mémoire, des modules Wi-Fi et du disque dur ou du lecteur SSD de votre mini PC.

Annexes

Cette section inclut un certain nombre de notices relatives à la sécurité.

Messages

Pour mettre en valeur les informations essentielles offertes par ce guide, les messages sont présentés de la manière qui suit :

IMPORTANT ! Ce message contient des informations essentielles devant être suivies pour compléter une tâche.

REMARQUE : Ce message contient des informations et des astuces additionnelles pouvant vous aider à compléter certaines tâches.

AVERTISSEMENT ! Ce message contient des informations importantes devant être suivies pour garantir votre sécurité lors de l'exécution de certaines tâches et de ne pas endommager les données du mini PC et ses composants.

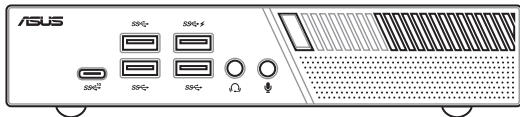
Typographie

Texte en gras Indique un menu ou un élément à sélectionner.

Italique Indique les sections de ce manuel auxquelles vous pouvez vous référer.

Contenu de la boîte

La boîte de votre mini PC contient les éléments suivants :



Mini PC



Adaptateur secteur*



Cordon d'alimentation*



Documentation technique

REMARQUE :

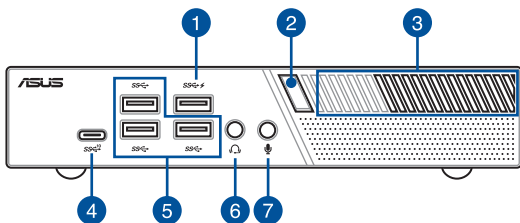
- *L'adaptateur secteur peut varier en fonction du modèle, du pays ou de la région d'achat.
 - Certains accessoires fournis peuvent varier en fonction du modèle. Pour plus de détails sur ces accessoires, consultez leur manuel respectif.
 - Les illustrations de l'appareil sont données à titre indicatif uniquement. Les caractéristiques du produit peuvent varier en fonction du modèle.
 - Si l'appareil ou l'un de ses composants tombe en panne dans des conditions d'utilisation normales, et ce lors de la période de garantie, rendez-vous dans le service client ASUS le plus proche de chez vous muni de la carte de garantie pour une prise sous garantie de votre appareil.
-

1

Présentation de votre mini PC

Caractéristiques matérielles

Vue avant



1 Port USB 3.1 Gen 1

L'interface USB 3.1 Gen 1 (Universal Serial Bus 3.1 Gen 1) offre des taux de transfert de données allant jusqu'à 5 Gb/s. Ces ports prennent aussi en charge la technologie Battery Charging 1.2 pour vous permettre de recharger vos périphériques USB.

REMARQUE : Ce port fournit un courant de sortie jusqu'à 5V / 1,5A.

2 **Bouton d'alimentation**

Ce bouton d'alimentation permet d'allumer ou d'éteindre le mini PC. Vous pouvez aussi l'utiliser pour basculer le mini PC en mode veille ou appuyer sur ce bouton pendant environ quatre (4) secondes pour éteindre le mini PC.

3

Fentes d'aération (entrée d'air)

Ces fentes d'aération permettent à l'air frais de pénétrer à l'intérieur du châssis et de refroidir le mini PC.

IMPORTANT : Assurez-vous qu'aucun objet ne bloque les fentes d'aération pour garantir une dissipation optimale de la chaleur et une bonne ventilation de l'air.

4



Port USB 3.1 Gen 2 Type-C™

L'interface USB Type-C™ (Universal Serial Bus Type-C™) offre des taux de transfert de données allant jusqu'à 10 Gb/s.

5



Port USB 3.1 Gen 1

L'interface USB 3.1 Gen 1 (Universal Serial Bus 3.1 Gen 1) offre des taux de transfert de données allant jusqu'à 5 Gb/s.

6



Prise casque

Cette prise est utilisée pour connecter la sortie audio de l'ordinateur à des haut-parleurs équipés d'un amplificateur ou un casque. Vous pouvez aussi utiliser cette prise pour connecter un microphone au mini PC.

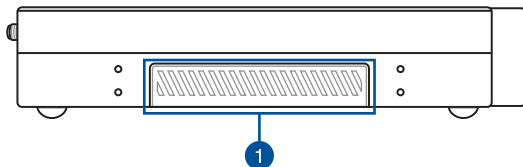
7



Prise microphone

La prise microphone permet de brancher un microphone, afin d'organiser des visioconférences, de passer des communications vocales ou d'effectuer de simples enregistrements audio.

Côté gauche



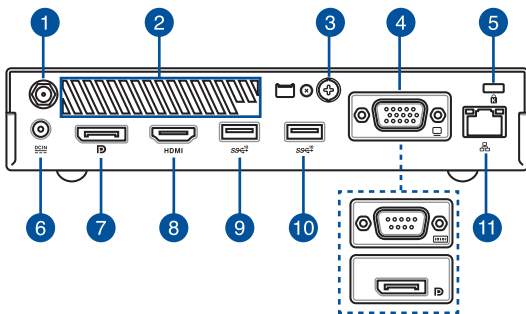
1

Port du module graphique

Ce port est utilisé pour connecter le module graphique à votre mini PC. Si le cache du port est fixé, retirez-le avant d'installer le module graphique sur votre mini PC.

REMARQUE : La disponibilité du module graphique peut varier selon les modèles et les régions.

Vue arrière



1

Prise pour antenne sans fil

Cette prise est utilisée pour la connexion de l'antenne sans fil afin d'améliorer la qualité de réception du signal sans fil.

2

Fentes d'aération (sortie d'air)

Les fentes d'aération permettent d'expulser l'excès de chaleur du châssis du mini PC.

IMPORTANT ! Assurez-vous qu'aucun objet ne bloque les fentes d'aération pour garantir une dissipation optimale de la chaleur et une bonne ventilation de l'air.

3

Port de perforation

Retirer le couvercle métallique vous permet d'installer un bouton d'alimentation externe ou un bouton CLRTC.

4

Port configurable

Ce port varie en fonction des modèles et comprend les options de port suivantes :



Port VGA

Ce port est utilisé pour connecter votre mini PC à un périphérique d'affichage externe.



Port série (COM)

Cette interface à neuf broches vous permet de connecter des périphériques dotés d'un connecteur série (ex : souris, modem, imprimante, etc.).



Port DisplayPort

Ce port est utilisé pour connecter votre mini PC à un périphérique d'affichage externe.

5



Encoche de sécurité Kensington®

L'encoche Kensington® permet de sécuriser l'ordinateur à l'aide des dispositifs de sécurité compatibles.






6



Prise d'alimentation

Branchez l'adaptateur secteur sur cette prise pour convertir le courant alternatif en courant continu. Le courant passant par cette prise permet d'alimenter le mini PC. Pour éviter d'endommager le mini PC, utilisez toujours l'adaptateur secteur fourni.

AVERTISSEMENT ! L'adaptateur peut atteindre une température élevée lorsque celui-ci est relié à l'appareil. Ne couvrez pas l'adaptateur et tenez-le éloigné de vous lorsque celui-ci est branché à une source d'alimentation.

- 7  **Port DisplayPort**
Ce port est utilisé pour connecter votre mini PC à un périphérique d'affichage externe.
- 8 **HDMI**  **Port HDMI**
Ce port prend en charge les périphériques d'affichage Full-HD tels que les moniteurs ou les téléviseurs LCD pour permettre l'affichage sur un écran externe plus grand.
- 9  **Port USB 3.1 Gen 2**
L'interface USB 3.1 Gen 2 (Universal Serial Bus 3.1 Gen 2) offre des taux de transfert de données allant jusqu'à 10 Gb/s.
- 10  **Port USB 3.1 Gen 2 (sur une sélection de modèles)**
L'interface USB 3.1 Gen 2 (Universal Serial Bus 3.1 Gen 2) offre des taux de transfert de données allant jusqu'à 10 Gb/s.
- 11  **Port réseau**
Insérez un câble réseau (RJ-45) à 8 broches dans ce port pour établir une connexion à un réseau local.

REMARQUE : Ce port prend en charge une vitesse de connexion de 10 Mbit/s, 100 Mbit/s et 1000 Mbit/s.

2

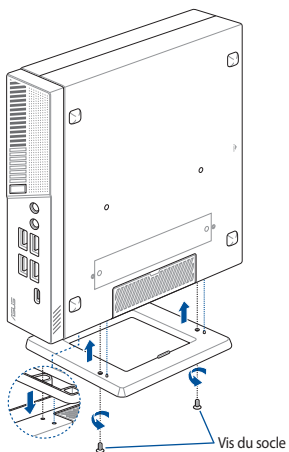
Utilisation de votre mini PC

Mise en route

Installer l'appareil sur son socle

Pour installer le mini PC sur son socle :

1. Repérez les ouvertures situées sous le mini PC.
2. Alignez l'ouverture du socle avec celle du mini PC, puis sécurisez le tout en place à l'aide des vis du socle.

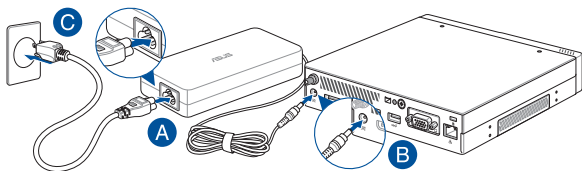


Connecter l'adaptateur secteur à votre mini PC

Pour connecter l'adaptateur secteur à votre mini PC :

- Connectez le cordon d'alimentation à l'adaptateur secteur.
- Reliez l'adaptateur secteur à la prise d'alimentation (CC) du mini PC.
- Branchez l'autre extrémité de l'adaptateur secteur sur une prise électrique fournissant un courant compris entre 100V et 240V.

REMARQUE : L'apparence de l'adaptateur secteur peut varier en fonction du modèle et du pays ou de la région d'achat.



REMARQUE :

L'adaptateur secteur peut varier en fonction du modèle, du pays ou de la région d'achat. Pour plus d'informations sur les différents adaptateurs, consultez le paragraphe suivant :

Adaptateur secteur 65W

- Tension d'entrée : 100-240Vca
- Fréquence d'entrée : 50-60Hz
- Courant de sortie nominal : 3,42A (65W)
- Tension de sortie nominale : 19V

Adaptateur secteur 90W

- Tension d'entrée : 100-240Vca
 - Fréquence d'entrée : 50-60Hz
 - Courant de sortie nominal : 4,74A (90W)
 - Tension de sortie nominale : 19V
-

Connecter un périphérique d'affichage à l'appareil

Vous pouvez connecter l'appareil à un écran externe ou un projecteur par le biais des interfaces de connexion suivantes :

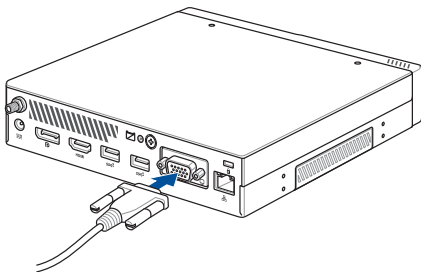
- Port VGA
- Port DisplayPort
- Port HDMI

REMARQUE : Ces ports peuvent varier en fonction du modèle.

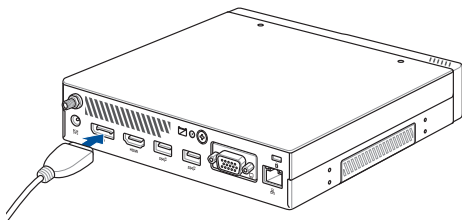
Pour connecter un périphérique d'affichage externe à votre mini PC :

Connectez une extrémité d'un câble VGA, DisplayPort ou HDMI à un périphérique d'affichage externe et l'autre extrémité au port VGA, DisplayPort ou HDMI de votre mini PC.

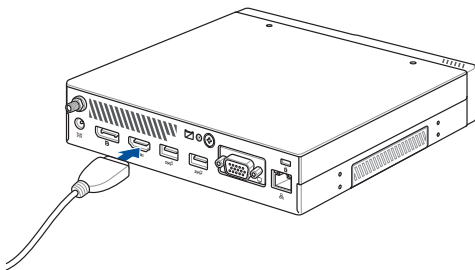
Connexion d'un câble VGA



Connexion d'un câble DisplayPort



Connexion d'un câble HDMI



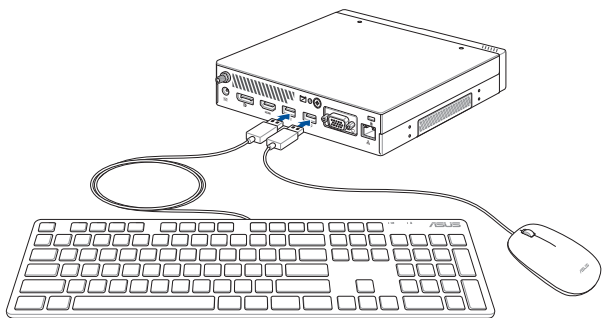
Connecter un clavier ou une souris USB

Le mini PC est compatible avec la plupart des souris et claviers USB. Vous pouvez également y connecter le dongle USB d'un clavier ou d'une souris sans fil.

Pour connecter un clavier ou une souris à votre mini PC :

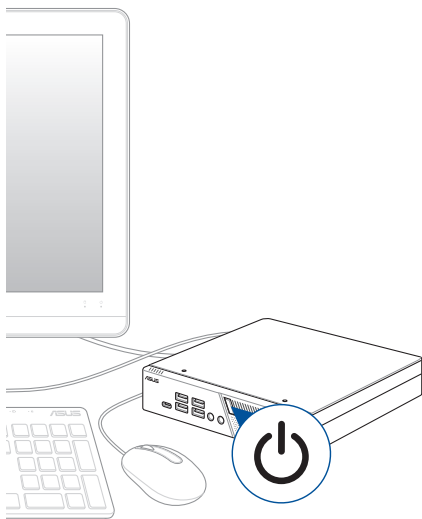
Connectez le câble USB de votre clavier ou souris à l'un des ports USB de votre mini PC.

REMARQUE : Le type de clavier peut varier en fonction du pays ou de la région d'achat.



Allumer votre mini PC

Appuyez sur le bouton d'alimentation pour allumer votre mini PC.



Éteindre le mini PC

Si le mini PC ne répond pas ou s'il se bloque, maintenez le bouton d'alimentation enfoncé pendant au moins (4) secondes pour forcer le mini PC à s'éteindre.

Basculer le mini PC en mode veille

Pour basculer le mini PC en mode veille, appuyez brièvement sur son bouton d'alimentation.

Accéder à l'interface de configuration du BIOS

Le BIOS (Basic Input and Output System) stocke divers paramètres matériels nécessaires au démarrage du système du mini PC.

De manière générale, les paramètres par défaut du BIOS conviennent à la plupart des utilisations de l'ordinateur pour assurer des performances optimales. Il est recommandé de ne pas modifier les paramètres par défaut du BIOS sauf dans les cas suivants :

- Un message d'erreur apparaît au démarrage du système et requiert l'accès au BIOS.
- Un composant installé nécessite un réglage spécifique ou une mise à jour du BIOS.

AVERTISSEMENT ! Une mauvaise utilisation du BIOS peut entraîner une instabilité du système ou un échec de démarrage. Il est fortement recommandé de ne modifier les paramètres du BIOS qu'avec l'aide d'un technicien qualifié.

Charger les paramètres par défaut du BIOS

Pour charger les valeurs par défaut de chaque paramètre du BIOS :

- Accédez au BIOS en appuyant sur <F2> ou <Suppr.> sur l'écran du POST.

REMARQUE : Le POST (Power-On Self Test) est une série de tests de diagnostic exécutés à chaque démarrage du mini PC.

- Naviguez vers le menu **Exit** (Sortie).
- Choisissez l'option **Load Optimized Defaults** (Charger les valeurs optimisées par défaut) ou appuyez sur la touche <F5>.
- Sélectionnez **OK** pour charger les valeurs par défaut du BIOS.

3

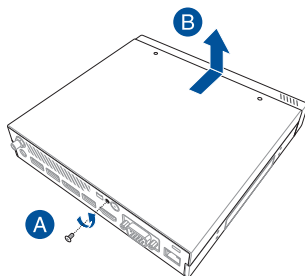
Mise à niveau du mini PC

IMPORTANT ! Assurez-vous que vos mains sont sèches avant de procéder à l'installation de composants additionnels. Avant de procéder à l'installation, utilisez un bracelet antistatique ou touchez un objet métallique ou relié à la terre pour éviter d'endommager les modules de mémoire.

REMARQUE : Les illustrations de cette section sont fournies à titre indicatif uniquement. L'emplacement des différents éléments peut varier selon le modèle.

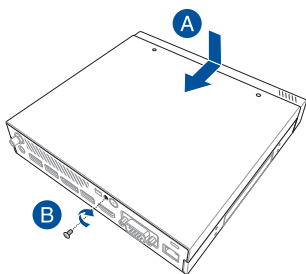
Retirer le couvercle du dessus

1. Éteignez votre mini PC et déconnectez tous les câbles et les périphériques.
2. Retirez la vis de l'arrière du mini PC (A), puis faites glisser le couvercle du dessus vers l'avant pour le retirer (B).



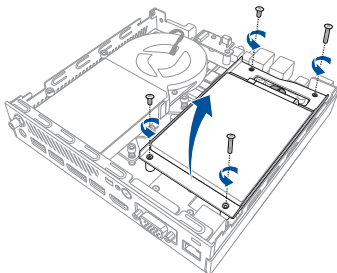
Replacer le couvercle du dessus

Remplacez le couvercle du dessus et poussez-le vers l'arrière (A), puis sécurisez-le à l'aide de la vis précédemment retirée (B).

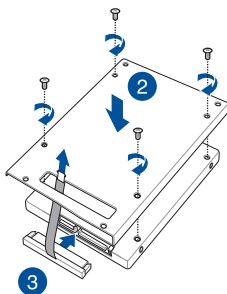


Installer un disque dur ou lecteur SSD 2,5"

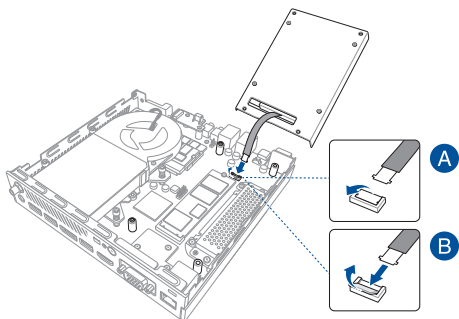
1. Retirez les quatre (4) vis, puis soulevez la baie de stockage pour la retirer du châssis.



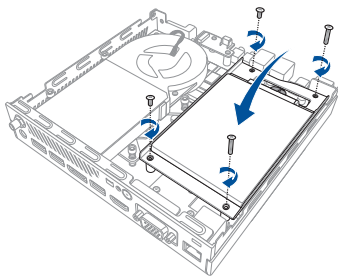
2. Insérez le disque dur ou lecteur SSD dans la baie de stockage, puis sécurisez le tout à l'aide des quatre (4) vis.
3. Branchez le câble SATA sur le disque dur ou lecteur SSD.



4. Soulevez la languette du connecteur SATA (A), connectez le câble SATA au connecteur SATA, puis abaissez la languette pour sécuriser le câble (B).



5. Remplacez la baie de stockage et sécurisez-la à l'aide des quatre (4) vis précédemment retirées.

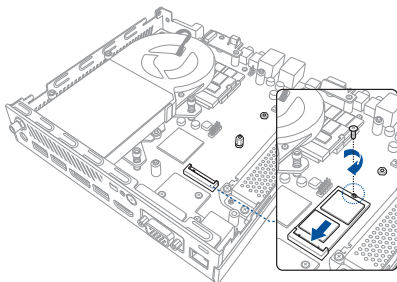


Installer un module M.2 SSD

(optionnel) Si une baie de stockage est installée, retirez-la. Suivez les instructions de l'étape 2 dans la section *Installer un disque dur ou lecteur SSD 2,5"* pour retirer la baie de stockage.

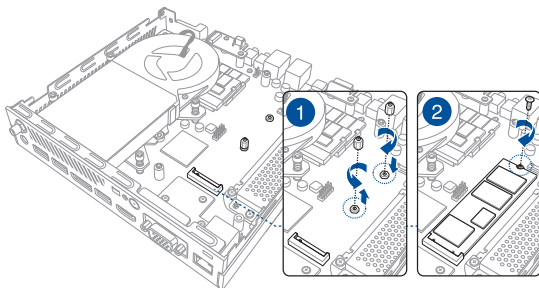
Pour installer un SSD M.2 2242 :

Alignez et insérez le SSD M.2 2242 dans le slot du mini PC, alignez le SSD M.2 sur son pas de vis, puis appuyez délicatement et fixez-le en utilisant l'une des vis rondes de 3 mm fournies.



Pour installer un SSD M.2 2280 :

1. Retirez la vis du socle et installez-la dans le pas de vis M.2 2280.
2. Alignez et insérez le SSD M.2 2280 dans le slot du mini PC, alignez le SSD M.2 sur son pas de vis, puis appuyez délicatement et fixez-le en utilisant l'une des vis rondes de 3 mm fournies.

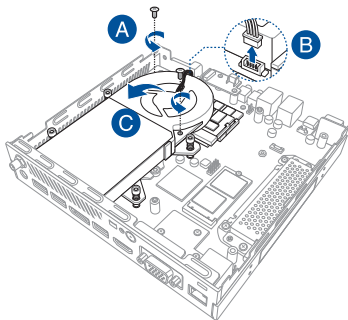


Installer un module de mémoire supérieur

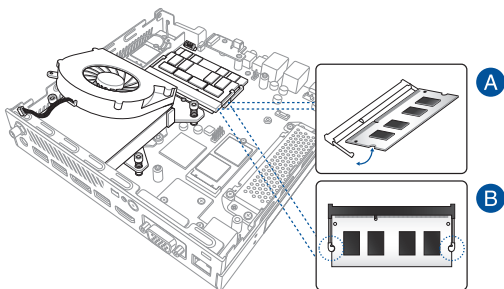
IMPORTANT !

- Rendez-vous sur le site <http://www.asus.com> pour consulter la liste des modules de mémoire compatibles. Seuls les modules de mémoire DDR4 SO-DIMM peuvent être installés dans le mini PC.
- Seul un technicien ASUS est autorisé à retirer et installer la carte mère et les composants mécaniques sur votre mini PC. Veuillez consulter la carte de garantie pour plus de détails sur les termes et conditions d'utilisation.
- Renseignez-vous auprès d'un centre ASUS ou un revendeur agréés pour plus d'informations sur la mise à niveau de la mémoire sur votre mini PC.

1. (optionnel) Si une baie de stockage est installée, retirez-la. Suivez les instructions de l'étape 2 dans la section *Installer un disque dur ou lecteur SSD 2,5"* pour retirer la baie de stockage.
2. Retirez les deux (2) vis sécurisant le ventilateur (A), puis déconnectez le ventilateur (B) et soulevez-le de manière à ce qu'il soit perpendiculaire au dissipateur (C), mais ne le retirez pas complètement.



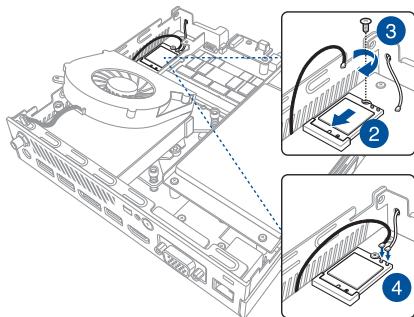
3. Aligned puis insérez le module de mémoire dans son interface de connexion (A). Appuyez sur le module de mémoire jusqu'à ce qu'il soit bien sécurisé à son interface de connexion (B).



Installer une carte Wi-Fi

REMARQUE : Votre mini PC intègre un slot M.2 dédié aux modules Wi-Fi et Bluetooth 2230. Rendez-vous sur le site <http://www.asus.com> pour consulter la liste des modules Wi-Fi et Bluetooth compatibles.

1. Suivez les étapes 1 et 2 de la section *Installer un module de mémoire supérieur* pour soulever le ventilateur avant d'installer la carte sans fil.
2. Aligned et insérez une carte Wi-Fi dans le slot du mini PC.
3. Aligned le pas de vis de la carte Wi-Fi avec celui de l'emplacement dédié à son installation à l'intérieur du mini PC, puis sécurisez le tout à l'aide d'une des vis rondes de 3mm fournies.
4. (optionnel) Connectez les antennes à votre carte Wi-Fi.



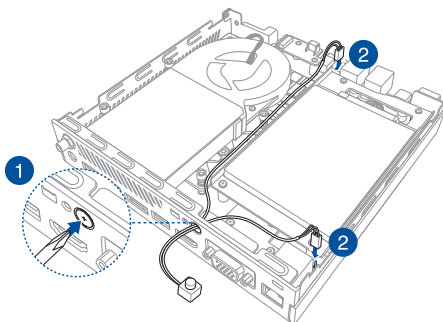
Installer un bouton externe

1. Retirez le couvercle métallique du port de perforation.

ATTENTION ! Soyez particulièrement prudent lorsque vous retirez le couvercle métallique. Utilisez des outils tels qu'un tournevis pour courber et retirer le couvercle métallique et éviter toute blessure physique.

2. Insérez le connecteur du bouton externe à travers le port de perforation et connectez-le à l'une des en-têtes à 2 broches suivantes :

Nom de l'en-tête	Description
PWRBTN_HEADER	Allume ou éteint le mini PC.
CLRRTC	Efface la mémoire RTC (Real Time Clock) du CMOS.



Annexes

Consignes de sécurité

Votre mini PC a été conçu et testé pour satisfaire aux normes de sécurité les plus récentes en matière d'équipements informatiques. Toutefois, afin de garantir une utilisation sans risque de ce produit, il est important que vous respectiez les consignes de sécurité présentées dans ce manuel.

Configurer le système

- Avant d'utiliser votre système, lisez et suivez les instructions de la documentation.
- N'utilisez pas ce produit à proximité de liquides ou d'une source de chaleur.
- Positionnez le système sur une surface stable.
- Les ouvertures situées sur le boîtier de l'appareil sont destinées à la ventilation. Veillez à ne pas les bloquer ou les recouvrir. Assurez-vous de laisser beaucoup d'espace autour du système de ventilation. N'insérez jamais d'objet dans les ouvertures de ventilation.
- Utilisez ce produit dans un environnement dont la température ambiante est comprise entre 0°C et 35°C.
- Si vous utilisez une rallonge, vérifiez que la somme des intensités nominales des équipements connectés à la rallonge ne dépasse pas celle supportée par cette dernière.
- Cet équipement doit être installé et utilisé avec un minimum de 20 cm de distance entre la source de rayonnement et votre corps.

Précautions à suivre lors de l'utilisation

- Ne marchez pas sur le cordon d'alimentation et ne posez rien dessus.
- Ne renversez pas d'eau ou d'autres liquides sur le système.
- Lorsque le système est éteint, une certaine quantité de courant résiduel continue de circuler dans le système. Débranchez systématiquement le câble d'alimentation de la prise murale avant de nettoyer le système.

- Déconnectez le système du secteur et demandez conseil à votre revendeur ou à un technicien qualifié si :
 - La prise ou le câble d'alimentation est endommagé.
 - Du liquide a été renversé sur le système.
 - Le système ne fonctionne pas correctement alors que les consignes ont été respectées.
 - Le système est tombé ou le boîtier est endommagé.
 - Les performances système s'altèrent.

Avertissement sur les batteries Lithium-Ion

ATTENTION : Danger d'explosion si la batterie n'est pas correctement remplacée. Remplacer uniquement avec une batterie de type semblable ou équivalent, recommandée par le fabricant. Jeter les batteries usagées conformément aux instructions du fabricant.

PAS DE DÉMONTAGE

La garantie ne couvre pas les appareils ayant été désassemblés par les utilisateurs



NE PAS jeter ce produit avec les déchets ménagers. Ce produit a été conçu pour permettre une réutilisation et un recyclage appropriés des pièces. Le symbole représentant une benne barrée d'une croix indique que le produit (équipement électrique, électronique et batterie contenant du mercure) ne doit pas être jeté avec les déchets ménagers. Vérifiez auprès de votre municipalité les dispositions locales en matière de mise au rebut des déchets électroniques.

Informations réglementaires

REACH

En accord avec le cadre réglementaire REACH (Enregistrement, Evaluation, Autorisation, et Restriction des produits chimiques), nous publions la liste des substances chimiques contenues dans nos produits sur le site ASUS REACH :

<http://csr.asus.com/english/REACH.htm>

Services de reprise et de recyclage

Les programmes de recyclage et de reprise d'ASUS découlent de nos exigences en terme de standards élevés de respect de l'environnement. Nous souhaitons apporter à nos clients des solutions permettant de recycler de manière responsable nos produits, batteries et autres composants ainsi que nos emballages. Veuillez consulter le site <http://csr.asus.com/english/Takeback.htm> pour plus de détails sur les conditions de recyclage en vigueur dans votre pays.

Notice relative au revêtement de l'appareil

IMPORTANT ! Pour maintenir le niveau de sécurité électrique et fournir une meilleure isolation, un revêtement a été appliqué pour isoler le châssis de cet appareil. Veuillez toutefois noter que les zones de l'appareil où se trouvent les différentes interfaces de connexion ne disposent pas de ce revêtement spécial.

Note sur l'exposition aux fréquences radio

Cet appareil doit être installé et utilisé en accord avec les instructions fournies et les antennes utilisées pour cet émetteur doivent être installées à au moins 20 cm de distance de toute personne et ne pas être situées près de ou utilisées conjointement avec une autre antenne ou un autre émetteur. Les instructions d'installation de l'antenne ainsi que les conditions de fonctionnement de l'émetteur doivent être fournies aux utilisateurs et aux installateurs pour satisfaire aux normes en matière d'exposition aux fréquences radio.

Rapport de la Commission Fédérale des Communications (FCC)

Cet appareil est conforme à l'alinéa 15 des règles établies par la FCC. Son utilisation est sujette aux deux conditions suivantes :

- Cet appareil ne doit pas créer d'interférences nuisibles, et
- Cet appareil doit tolérer tout type d'interférences, y compris celles susceptibles de provoquer un fonctionnement non souhaité de l'appareil.

Cet appareil a été testé et déclaré conforme aux limites relatives aux appareils numériques de classe B, en accord avec la Section 15 de la réglementation de la Commission Fédérale des Communications (FCC). Ces limites sont conçues pour offrir une protection raisonnable contre les interférences nuisibles en installation résidentielle.

Cet appareil génère, utilise et peut émettre de l'énergie de radiofréquence et, s'il n'est pas installé et utilisé en accord avec les instructions du fabricant, peut créer des interférences nuisibles aux communications radio. Cependant, il n'y a pas de garantie que des interférences ne surviendront pas dans une installation particulière. Si cet appareil crée des interférences nuisibles à la réception de la radio ou de la télévision (il est possible de le déterminer en éteignant puis en rallumant l'appareil), l'utilisateur est encouragé à essayer de corriger les interférences par l'une ou plusieurs des mesures suivantes :

- Réorienter ou repositionner l'antenne de réception.
- Augmenter la distance de séparation entre l'appareil et le récepteur.
- Brancher l'appareil sur une prise secteur d'un circuit différent de celui auquel le récepteur est branché.
- Consulter le revendeur ou un technicien radio/TV qualifié pour obtenir de l'aide.

IMPORTANT ! L'utilisation de cet appareil en extérieur dans la bande de fréquence de 5,15 à 5,25 GHz est interdite. Cet appareil ne possède pas de capacités Ad-hoc pour les bandes 5250-5350 et 5470-5725 MHz.

ATTENTION ! Tout changement ou modification non expressément approuvé par le concessionnaire de cet appareil peut annuler le droit de l'utilisateur à faire fonctionner cet appareil.

Déclaration d'ISED relative à l'exposition aux fréquences radio au Canada

Cet équipement a été testé et s'est avéré conforme aux limites établies par ISED en matière d'exposition aux radiations dans un environnement non contrôlé. Afin de rester en conformité avec ces exigences, évitez tout contact direct avec l'antenne pendant la transmission et suivez les instructions d'utilisation de ce manuel.

Son utilisation est sujette aux deux conditions suivantes :

- Cet appareil ne doit pas créer d'interférences, et
- Cet appareil doit tolérer tout type d'interférences, y compris celles susceptibles de provoquer un fonctionnement non souhaité de l'appareil.

Déclaration de conformité d'Innovation, Sciences et Développement économique du Canada (ISED)

Le présent appareil est conforme aux CNR d'Innovation, Sciences et Développement économique du Canada applicables aux appareils radio exempts de licence. Son utilisation est sujette aux deux conditions suivantes : (1) cet appareil ne doit pas créer d'interférences et (2) cet appareil doit tolérer tout type d'interférences, y compris celles susceptibles de provoquer un fonctionnement non souhaité de l'appareil.

CAN ICES-3(B)/NMB-3(B)

Canaux d'opération sans fil régionaux

Amérique du Nord	2,412-2,462 GHz	Canal 01 à canal 11
Japon	2,412-2,484 GHz	Canal 01 à canal 14
Europe ETSI	2,412-2,472 GHz	Canal 01 à canal 13

Produit conforme à la norme ENERGY STAR



ENERGY STAR est un programme conjoint entre l'Agence pour la protection de l'environnement (EPA) et le département de l'Énergie (DOE) des États-Unis permettant de faire des économies d'argent tout en protégeant l'environnement par le biais de pratiques et de produits éco-énergétiques.

Tous les produits ASUS portant le logo ENERGY STAR sont conformes au standard ENERGY STAR et intègrent la fonctionnalité d'économie d'énergie activée par défaut. L'ordinateur bascule automatiquement en mode veille après une période de 10 à 30 minutes d'inactivité. Pour sortir l'ordinateur du mode veille, cliquez sur la souris ou appuyez sur une touche quelconque du clavier.

Veuillez consulter le site Web <http://www.energystar.gov/powermanagement> pour plus de détails sur la gestion d'énergie et ses avantages pour la protection de l'environnement. Vous pouvez également consulter le site <http://www.energystar.gov> pour plus d'informations sur le programme ENERGY STAR.

REMARQUE : La norme ENERGY STAR n'est pas compatible avec les modèles fonctionnant sous Freedos ou Linux.
