

## Installation and User's Guides

This document contains an abbreviated version of the installation instructions for the AT-TQ5403e Wireless Access Point. For complete installation instructions, see the AT-TQ5403e Installation Guide on the Allied Telesis web site at [www.alliedtelesis.com/support](http://www.alliedtelesis.com/support).

## Safety and Electromagnetic Emissions Certificates

For Safety and Electromagnetic Emissions certificates, see the AT-TQ5403e Installation Guide.

## Installation Options

This quick installation guide explains how to install the device on a wall or pole.

### Note

The non-US model of this product has a country code setting that must be set during the initial management session of the unit. The setting ensures that the unit operates in compliance with the laws and regulations of your country or region.

The country code for the US model is preset and cannot be changed. Per FCC regulations, the country code setting for all WiFi products marketed in the US must be fixed to US operational channels only.

## Physical Description

For a physical description of the AT-TQ5403e Outdoor Wireless Access Point, see the AT-TQ5403e Installation Guide.

## Package Contents of the AT-TQ5403e Wireless Access Point

The following items should be in the shipping containers:

- One AT-TQ5403e Wireless Access Point
- This AT-TQ5403e Quick Installation Guide
- Four 5GHz antennas
- Two 2.4GHz antennas
- One mounting base
- Four sets of a screw, washer, and spring washer for the mounting base
- One pole-mount bracket
- Four sets of a hex-head bolt, washer, and spring washer for the pole-mount bracket
- Two U-bolts
- Four nuts for the U-bolts
- Two pole straps
- One ground cable
- One set of a screw, washer, and spring washer for the ground cable
- Six external surge protectors

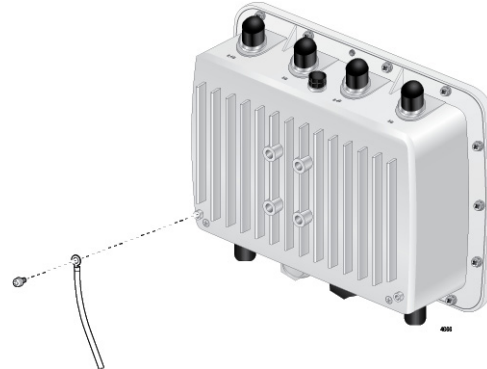
If any item is missing or damaged, contact your Allied Telesis sales representative for assistance. Retain the original shipping material in case you need to return the unit to Allied Telesis.



## Attaching the Ground Cable to the Access Point

You must attach the ground cable before installing the device on a wall or pole.

1. Align the ground cable hole on the access point with the ring terminal of the ground cable.  
You can select one of two ground cable holes on the access point.

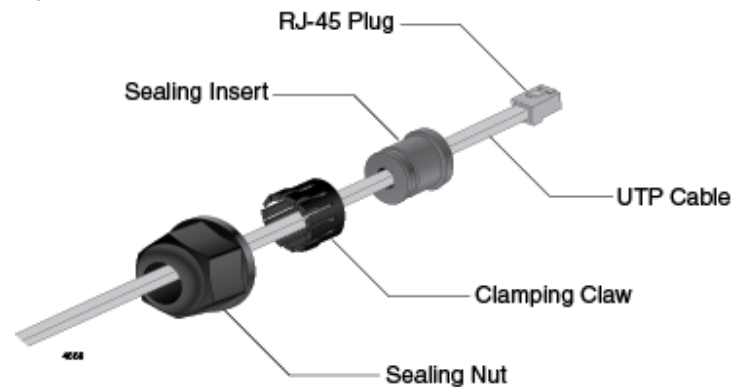


2. Drive the screw through the holes to attach the ground cable to the access point.
3. Cut off the extra length of the ground cable to make it connected straight to the ground point.
4. Attach the other terminal of the ground cable to a circuit breaker, ground rod, or earth ground.

## Connecting the Access Point with the Ethernet Cable

To connect the access point with the Ethernet cable, perform the following procedure:

1. Unscrew the sealing nut at the LAN port on the access point and remove the clamping claw and sealing insert.
2. Remove the rubber nail from the sealing insert.
3. Pass the LAN cable through the sealing nut, and attach the sealing insert and clamping claw to the cable.



4. Connect the RJ-45 plug into the LAN port and screw the sealing nut to the access point.

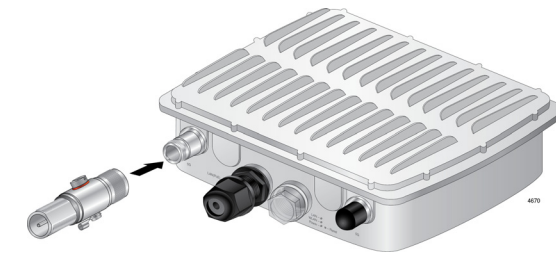


5. Connect the other RJ-45 plug to the PoE switch.

## Attaching the Antennas to the Access Point

To attach the antennas to the access point, perform the following procedure:

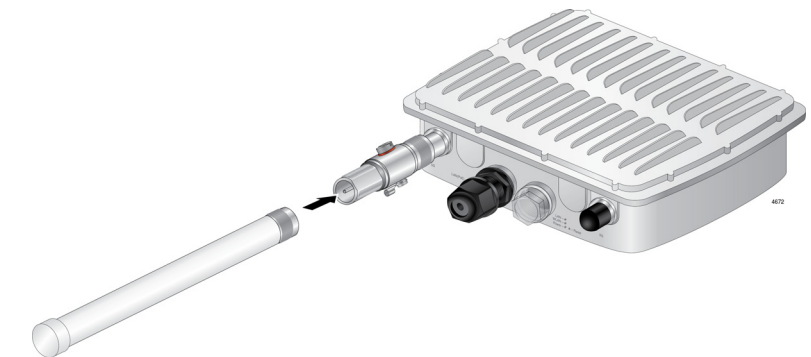
1. Attach a surge protector to an antenna connector.



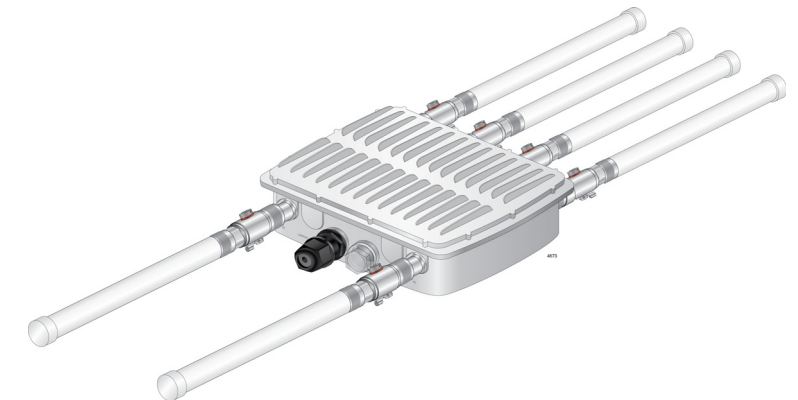
2. Screw an antenna into the surge protector that you just attached to the access point.

### Note

You must install 5GHz antennas to 5GHz antenna connectors and 2.4GHz antennas to 2.4GHz antenna connectors.



3. Repeat Step 1 and Step 2 for the rest of the antennas.



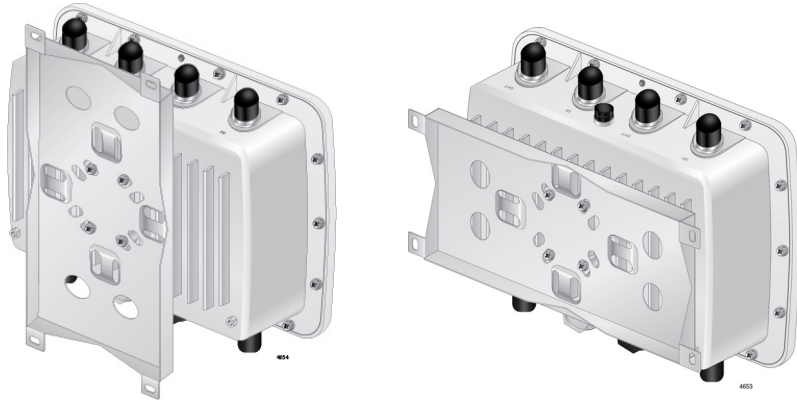
## Installing the Access Point on a Wall

To install the access point on a wall, perform the following procedure:

### Note

Screws for the wall, Phillip-head screwdriver, and pencil are *not* included in the shipping box.

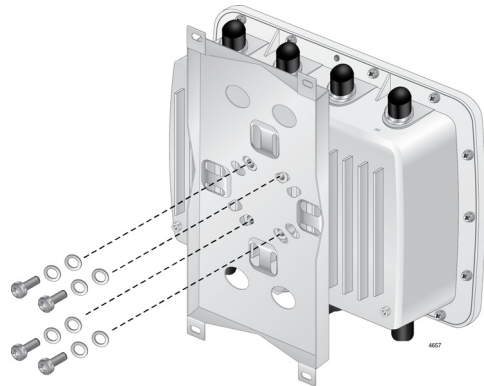
1. Orient the mounting base to the access point.



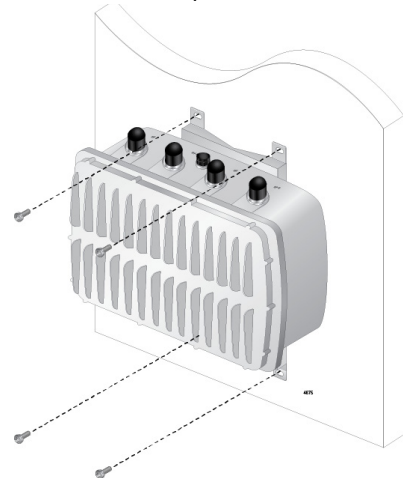
### Note

The access point must be installed the front panel with the LAN port down. The mounting base can be in a vertical or horizontal position.

2. Using the mounting base as a template, mark four holes with a pencil.
3. Pre-drill the marked locations on a concrete wall.
4. Attach the mounting base to the access point with the screws using a Phillips-head screwdriver.



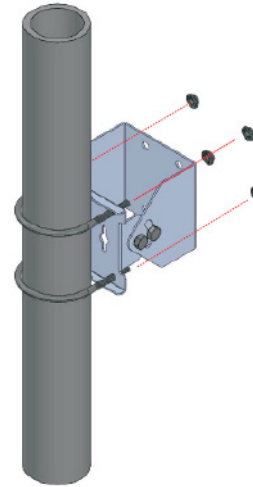
5. Align the mounting base and the holes on the wall.
6. Tighten the screws to install the access point to the wall.



## Installing the Access Point on a Pole

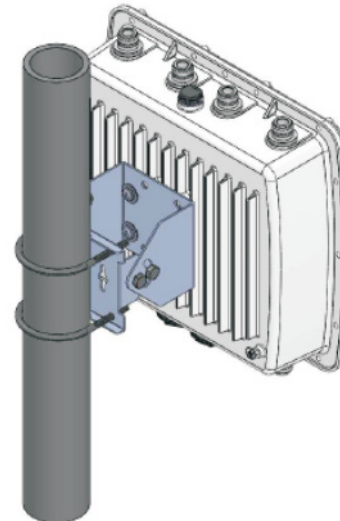
To install the access point to a pole, perform the following procedure:

1. Attach the pole-mount bracket to the pole with two U-bolts.



2. Attach the access point to the pole-mount bracket with the screws using a Phillips-head screwdriver.

**Note:** Attach the ground cable to the access point before attaching the mounting base to the access point.



3. To position the access point upward or downward, loose two bolts located on the sides of the pole mount bracket using an adjustable wrench or a 10mm socket ratchet.
4. Adjust the angle of the access point upward or downward.
5. Tighten the bolts.

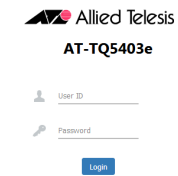
## Starting the Initial Management Session

The wireless access point has a DHCP client. The default setting for the client is enabled. When you connect the access point to a PoE switch for the first time, the access point queries the subnet on the LAN port for a DHCP server. If a DHCP server responds to its query, the access point uses the IP address the server assigns to it. If there is no DHCP server, it uses the default IP address 192.168.1.230.

To start the initial management session, perform the following procedure:

1. Start the web browser on your management workstation.

2. Enter the IP address of the access point in the URL field of the web browser. The address is one of the following:
  - If your network does not have a DHCP server, enter the default address 192.168.1.230.
  - If your network has a DHCP server, enter the IP address the DHCP server assigned to the access point.The access point displays the login prompt.



3. Enter “manager” for the username and “friend” for the password. The username and password are case-sensitive.

## Setting the Country Setting

For instructions on setting the country setting, see the AT-TQ5403e Installation Guide.

## Federal Communication Commission Interface Statement

This device complies with Part 15 of the FCC Rules. It has been tested and found to comply with the limits for a Class B digital device, pursuant to Part 15 of the FCC Rules. For more information, refer to the AT-TQ5403e Installation Guide.

## European Union Restriction of the Use of Certain Hazardous Substances (RoHS) in Electrical and Electronic Equipment

This Allied Telesis RoHS-compliant product conforms to the European Union Restriction of the Use of Certain Hazardous Substances (RoHS) in Electrical and Electronic Equipment. Allied Telesis ensures RoHS conformance by requiring supplier Declarations of Conformity, monitoring incoming materials, and maintaining manufacturing process controls.

## Europe - EU Declaration of Conformity

This device complies with Directive 2014/53/EU issued by the Commission of the European Community. For more information, see the AT-TQ5403e installation Guide.

**Note:** Contact Allied Telesis for the EU conformity statement. Visit our website at [www.alliedtelesis.com](http://www.alliedtelesis.com).

Copyright © 2019 Allied Telesis, Inc. All rights reserved.

No part of this publication may be reproduced without prior written permission from Allied Telesis, Inc.

Allied Telesis and the Allied Telesis logo are trademarks of Allied Telesis, Incorporated. All other product names, company names, logos or other designations mentioned herein are trademarks or registered trademarks of their respective owners.

Allied Telesis, Inc. reserves the right to make changes in specifications and other information contained in this document without prior written notice. The information provided herein is subject to change without notice. In no event shall Allied Telesis, Inc. be liable for any incidental, special, indirect, or consequential damages whatsoever, including but not limited to lost profits, arising out of or related to this manual or the information contained herein, even if Allied Telesis, Inc. has been advised of, known, or should have known, the possibility of such damages.