

ThinkCentre®

ThinkCentre M720t User Guide and Hardware Maintenance Manual

Think



Energy Star Machine Types: 10SQ, 10SR, 10SS, 10TQ, 10U4, and 10U5

Note: Before using this information and the product it supports, be sure to read and understand the *Important Product Information Guide* and Appendix A “Notices” on page 77.

First Edition (June 2018)

© Copyright Lenovo 2018.

LIMITED AND RESTRICTED RIGHTS NOTICE: If data or software is delivered pursuant to a General Services Administration “GSA” contract, use, reproduction, or disclosure is subject to restrictions set forth in Contract No. GS-35F-05925.

Contents

Chapter 1. Overview 1

Front view	1
Rear view	3
System board	5
Machine type and model label	6

Chapter 2. Specifications 7

Chapter 3. Computer locks 9

Locking the computer cover	9
Enabling or disabling the E-lock	9
Attaching a Kensington-style cable lock	10
Attaching a smart cable clip	10

Chapter 4. Replacing hardware 13

Before replacing hardware	13
Knowing FRUs (including CRUs)	13
Locating FRUs (including CRUs)	14
Replacing the keyboard or wireless keyboard	16
Replacing the mouse or wireless mouse	17
Replacing the power cord	21
Replacing the dust shield	22
Removing the computer cover	23
Replacing the front bezel	23
Replacing the optical drive	24
Replacing the optical drive bracket	25
Replacing the storage drive	26

Replacing a memory module.	31
Replacing a PCI Express card	34
Replacing the Wi-Fi card	36
Replacing the M.2 solid-state drive	38
Replacing the M.2 solid-state drive bracket	45
Replacing the power supply assembly	46
Replacing the Wi-Fi antennas	48
Replacing the internal speaker	51
Replacing the front fan	53
Replacing the illuminated red dot cable	55
Replacing the thermal sensor	57
Replacing the front I/O bracket	58
Replacing the power button	60
Replacing the card reader board	61
Replacing the heat sink and fan assembly	62
Replacing the microprocessor	64
Replacing the coin-cell battery	67
Replacing the E-lock	69
Replacing the cover presence switch	70
Replacing the rear fan	72
Replacing the system board	73
Completing the parts replacement	74

Appendix A. Notices 77

Appendix B. Trademarks 79

Chapter 1. Overview

This chapter provides basic information to help you get familiar with your computer.

Front view

Note: Your computer model might look slightly different from the illustration.

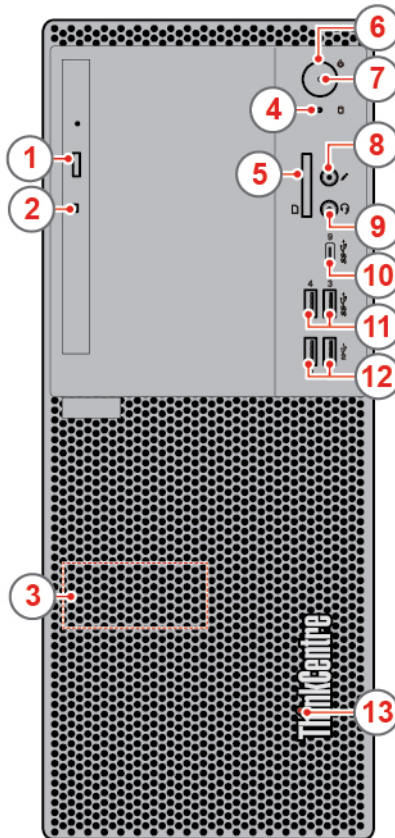


Figure 1. Front view

1 Optical drive eject/close button (optional)	2 Optical drive activity indicator (optional)
3 Internal speaker	4 Storage drive status indicator
5 Card reader slot (optional)	6 Power button
7 Power indicator	8 Microphone connector
9 Headset connector	10 Type-C USB 3.1 Gen 1 connector
11 USB 3.1 Gen 1 connectors (2)	12 USB 3.1 Gen 2 connectors (2)
13 Illuminated red dot	

1 Optical drive eject/close button (optional)

Used to eject the tray of the optical drive. After you insert a disc into the tray, press the eject/close button to close the tray.

2 Optical drive activity indicator (optional)

This indicator is on when the optical drive is in use.

3 Internal speaker

Used to listen to the sounds from your computer without using a headset or headphones.

4 Storage drive activity indicator

This indicator is on when the storage drive is in use.

5 Card reader slot (optional)

Used to read data from a supported memory card.

6 Power button

Used to turn on your computer. When you cannot shut down the computer from the operating system, press and hold the power button for four or more seconds to turn off the computer.

7 Power indicator

This indicator is on when the computer is on.

8 Microphone connector

Used to connect a microphone to your computer. You can use the microphone to record sounds or interact with the computer using speech-recognition software.

9 Headset connector

Used to connect a headset or headphones to your computer.

10 Type-C USB 3.1 Gen 1 connector

Used to connect a Type-C USB 3.1 compatible device.

11 USB 3.1 Gen 1 connectors

Used to connect a USB-compatible device. For optimal data transfer, connect a USB 3.1 Gen 1 device to a USB 3.1 Gen 2 or USB 3.1 Gen 1 connector instead of a USB 2.0 connector.

12 USB 3.1 Gen 2 connectors

Used to connect a USB-compatible device. For optimal data transfer, connect a USB 3.1 Gen 2 device to a USB 3.1 Gen 2 connector instead of a USB 3.1 Gen 1 or USB 2.0 connector.

13 Illuminated red dot

This indicator is on when the computer is on.

Rear view

Note: Your computer model might look slightly different from the illustration.

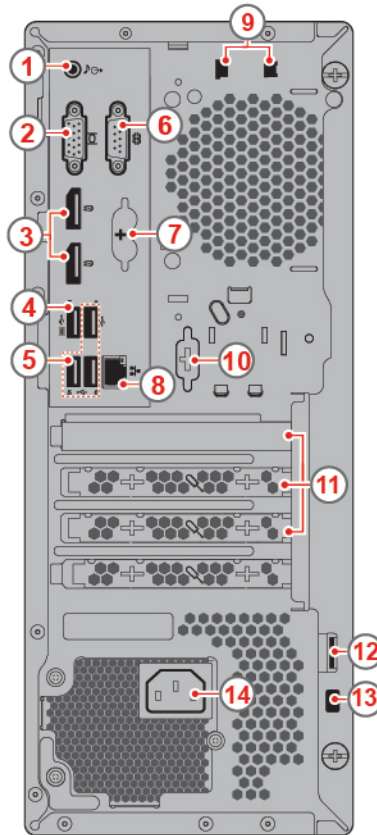


Figure 2. Rear view

1 Audio line-out connector	2 VGA-out connector
3 DisplayPort® 1.2 out connectors (2)	4 USB 2.0 connector
5 USB 2.0 connectors (3)	6 Serial connector
7 PS/2 keyboard and mouse connectors (optional)	8 Ethernet connector
9 Smart cable clip slots (2) (optional)	10 Serial connector (optional)
11 PCI Express card area	12 Padlock loop
13 Security-lock slot	14 Power cord connector

1 Audio line-out connector

Used to send audio signals from the computer to external devices, such as powered stereo speakers, headphones, or multimedia keyboards. To connect a stereo system or other external recording device, connect a cable between the audio line-in connector of the device and the audio line-out connector of the computer.

Note: If your computer has both an audio line-out connector and a headset or headphone connector, always use the headset or headphone connector for earphones, headphones, or a headset. The headphone connector does not support headset microphones.

2 VGA-out connector

Used to send video signals from the computer to another video device, such as a monitor.

3 DisplayPort 1.2 out connectors

Used to send audio and video signals from the computer to another audio or video device, such as a high-performance monitor.

4 USB 2.0 connector

Used to connect a device that requires a USB 2.0 connection.

Note: The USB 2.0 connector supports the smart power on feature. If you connect a Lenovo-recommended USB 1.1 keyboard to this connector, you can power on the computer or wake it up from S4 hibernation mode by pressing Alt+P on the keyboard. Ensure that you use a Lenovo-recommended keyboard that supports the smart power on feature.

5 USB 2.0 connectors

Used to connect a device that requires a USB 2.0 connection.

6 Serial connector

Used to connect an external modem, a serial printer, or other devices that use a serial connector.

7 PS/2 keyboard and mouse connectors (optional)

Used to connect a keyboard, a mouse, or trackball, or other pointing devices that uses a Personal System/2 (PS/2) connector.

8 Ethernet connector

Used to connect an Ethernet cable for network access.

9 Smart cable clip slots (optional)

Used to secure a smart cable clip.

10 Serial connector (optional)

Used to connect an external modem, a serial printer, or other devices that use a serial connector.

11 PCI Express card area

To improve the operating performance of the computer, you can connect PCI Express cards into this area. Depending on the computer model, the connectors in this area vary.

12 Padlock loop

Used to secure a padlock.

13 Security-lock slot

Used to secure a Kensington-style cable lock.

14 Power cord connector

Used to connect the power cord to your computer for power supply.

System board

Note: See “Front view” and “Rear view” for additional component descriptions.

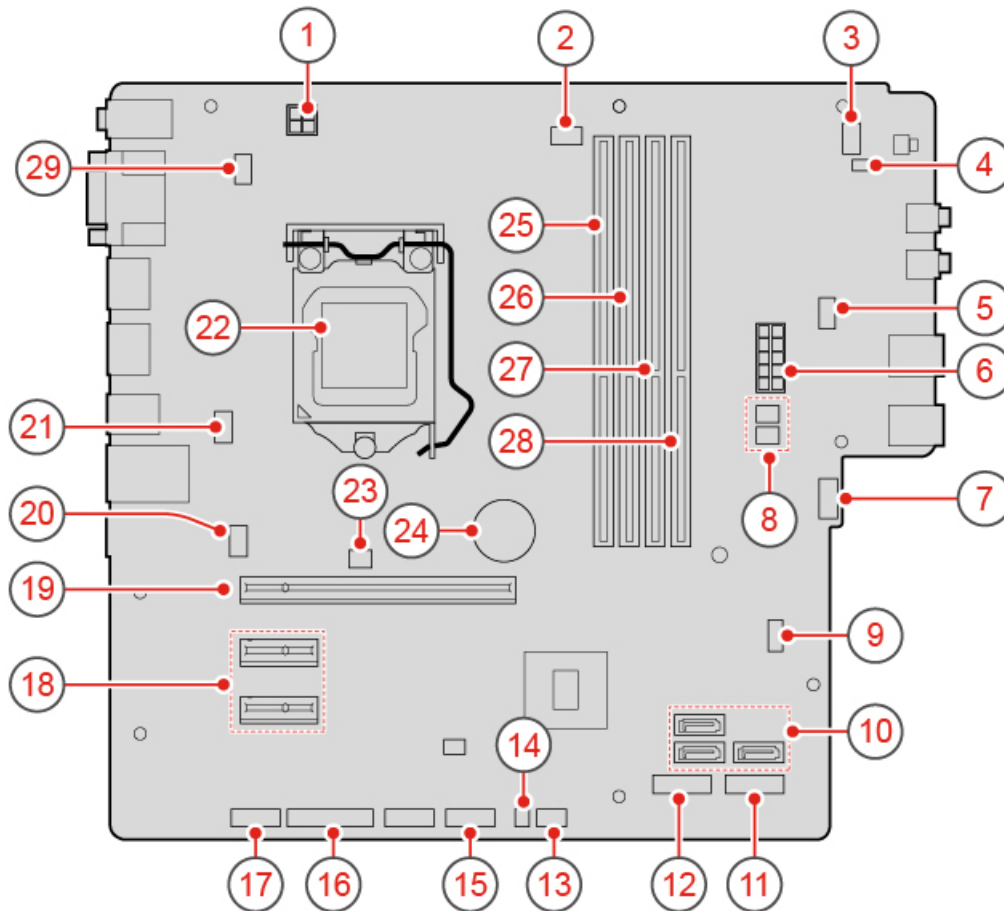


Figure 3. System board

1 4-pin power connector	2 Microprocessor fan connector
3 Power button connector	4 Internal speaker connector
5 Auxiliary fan connector 2	6 10-pin power connector
7 Auxiliary fan connector 1	8 SATA power connectors (2)
9 Clear CMOS (Complementary Metal Oxide Semiconductor) / Recovery jumper	10 SATA 3.0 connectors (3)
11 M.2 solid-state drive slot	12 M.2 Wi-Fi card slot
13 Thermal sensor connector	14 Illuminated red dot connector

15 Front USB 2.0 connector	16 Parallel connector
17 Serial (COM2) connector	18 PCI Express x1 card slots (2)
19 PCI Express x16 graphics card slot	20 System fan connector
21 E-lock connector	22 Microprocessor socket
23 Cover presence switch connector (Intrusion switch connector)	24 Coin-cell battery
25 Memory slot (DIMM1)	26 Memory slot (DIMM2)
27 Memory slot (DIMM3)	28 Memory slot (DIMM4)
29 Keyboard and mouse connector	

Machine type and model label

The machine type and model label identifies the computer. When you contact Lenovo for help, the machine type and model information helps support technicians to identify the computer and provide faster service. The machine type and model label is attached on the computer as shown.

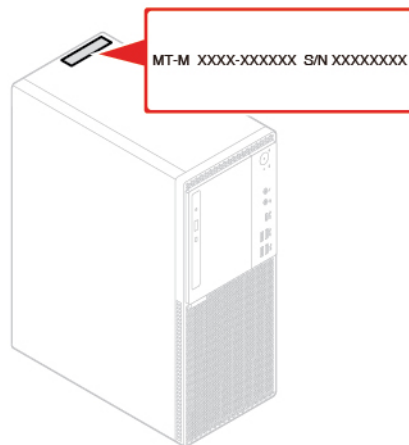


Figure 4. Machine type and model label

Chapter 2. Specifications

Power supply

- 180-watt automatic voltage-sensing power supply
- 210-watt automatic voltage-sensing power supply
- 260-watt automatic voltage-sensing power supply

Storage drives

- 3.5-inch storage drive (optional)
- 2.5-inch storage drive (optional)
- M.2 solid-state drive (optional)

Video features

The integrated graphics card supports the following:

- DisplayPort 1.2 out connector
- VGA-out connector

Audio features

- The integrated audio card supports the following:
 - Audio line-out connector
 - Headset connector
 - Internal speaker
 - Microphone connector (optional)
- The optional discrete audio card provides an enhanced audio experience and extended capabilities.

Input/Output (I/O) features

- Audio connectors (audio line-out, headset, and microphone)
- Card reader slot (optional)
- DisplayPort 1.2 out connector
- Ethernet connector
- PS/2 keyboard connector (optional)
- PS/2 mouse connector (optional)
- Serial connectors
- USB connectors (USB 2.0, USB 3.1, and Type-C USB 3.1)
- VGA-out connector

Expansion

- Card reader (optional)
- Memory slots
- M.2 solid-state drive slot
- Optical drive (optional)
- PCI Express x1 card slots

- PCI Express x16 graphics card slot
- Storage drive bay

Network features

- Ethernet LAN
- Wireless LAN (optional)
- Bluetooth (optional)

Physical dimensions

- Width: 150 mm (5.9 inches)
- Height: 360 mm (14.2 inches)
- Depth: 270.5 mm (10.6 inches)

Weight (without the package)

Maximum configuration as shipped: 6.9 kg (15.2 lb)

Chapter 3. Computer locks

This chapter provides instructions on how to lock your computer with the locking devices to keep your computer safe.

Locking the computer cover

Locking the computer cover helps prevent unauthorized access to the inside of your computer. Your computer features a padlock loop so that the computer cover cannot be removed when a padlock is installed.

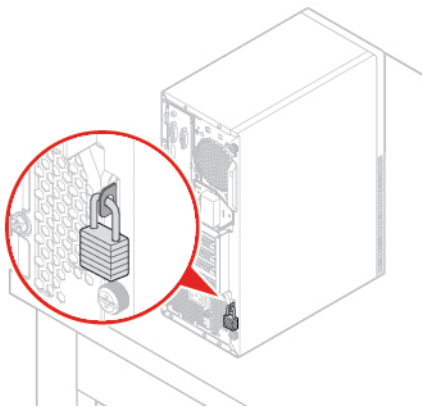


Figure 5. Locking the computer cover

Enabling or disabling the E-lock

Your computer may have a security lock solution installed to protect the computer from unauthorized tampering of the internal components. Using the E-Lock, you can mechanically lock or unlock the computer cover.

To enable or disable the E-Lock, do the following:

1. Turn on or restart the computer.
2. Before Windows starts up, repeatedly press and release the F1 or Fn+F1 key until the Setup Utility program opens.
3. Click **Security** → **Electronic Lock** to enable or disable the E-lock.
4. Press F10 or Fn+F10 to save the changes and reboot the computer.

Note: Changes do not take effect until the setting is saved and the system is rebooted.

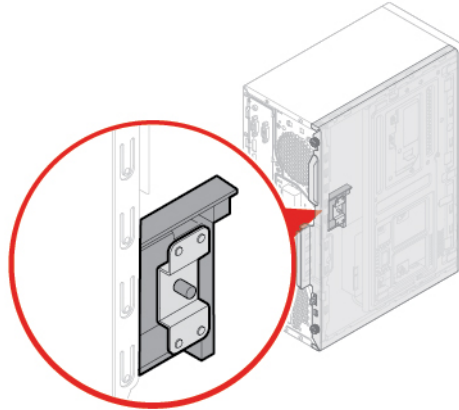


Figure 6. Enabling or disabling the E-lock

Attaching a Kensington-style cable lock

You can use a Kensington-style cable lock to secure your computer to a desk, table, or other nonpermanent fixture. The cable lock connects to the security-lock slot at the rear of your computer. Depending on the type selected, the cable lock can be operated with a key or combination. The cable lock also locks the buttons used to open the computer cover. This is the same type of lock used with many notebook computers. You can order such a cable lock directly from Lenovo by searching for *Kensington* at:

<http://www.lenovo.com/support>

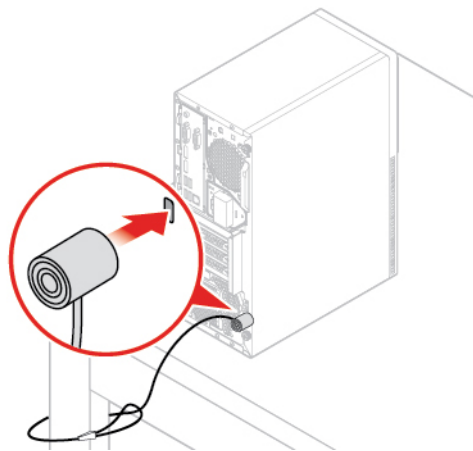


Figure 7. Attaching a Kensington-style cable lock

Attaching a smart cable clip

A smart cable clip can be used to secure devices, such as the keyboard and the mouse, by locking the device cables to the computer. The smart cable clip connects to the cable-lock slots on the rear of the computer. To install a smart cable clip, do the following:

1. Insert the clip **1** into the cable-lock slot **4**.
2. Pull the cables you want to lock through the dents in the smart cable clip.
3. Press the clip **2** into the cable-lock slot **3** until it snaps into position.

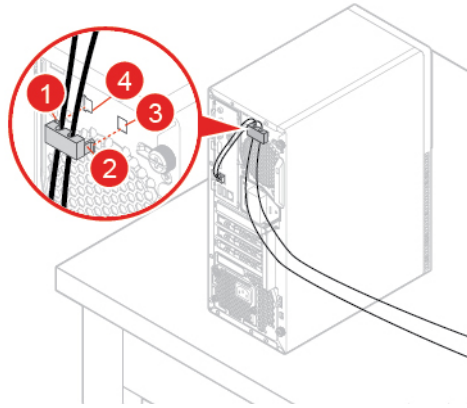


Figure 8. Attaching a smart cable clip

Chapter 4. Replacing hardware

This chapter provides instructions on how to replace hardware for your computer.

Before replacing hardware

Attention: Do not open your computer or attempt any repairs before reading this section and the *Important Product Information Guide*.

Notes before replacing hardware

- Use computer components provided only by Lenovo.
- When installing or replacing an option, use the appropriate instructions explained in this manual along with the instructions that come with the option.
- In most areas of the world, Lenovo requires the return of defective CRUs. Information about this will come with the CRU or will come a few days after the CRU arrives.

Handling static-sensitive devices

Do not open the static-protective package containing the new part until the defective part has been removed and you are ready to install the new part. Static electricity, although harmless to you, can seriously damage computer components and options.

When you handle options and other computer components, take these precautions to avoid static-electricity damage:

- Limit your movement. Movement can cause static electricity to build up around you.
- Always handle options and other computer components carefully. Handle PCI/PCIe cards, memory modules, system boards, and microprocessors by the edges. Never touch any exposed circuitry.
- Prevent others from touching the options and other computer components.
- Touch the static-protective package containing the part to a metal expansion-slot cover or other unpainted metal surface on the computer for at least two seconds. This reduces static electricity from the package and your body before you install or replace a new part.
- When possible, remove the new part from the static-protective package, and install it directly in the computer without setting the part down. When this is not possible, place the static-protective package on a smooth, level surface and place the part on the package.
- Do not place the part on the computer cover or other metal surface.

Knowing FRUs (including CRUs)

- Field Replaceable Units (FRUs) are computer parts that a trained technician can upgrade or replace. FRUs include all CRUs. For detailed FRU information, such as the FRU part numbers and supported computer models, go to:
<http://www.lenovo.com/serviceparts-lookup>
- Customer Replaceable Units (CRUs) are computer parts that a user can upgrade or replace.
 - Self-service CRUs: You can install self-service CRUs easily. These CRUs might be stand-alone, latched, or secured by up to two screws. Examples of self-service CRUs include the keyboard, mouse, and any USB device. You are responsible for replacing all self-service CRUs.
 - Optional-service CRUs: Handling optional-service CRUs requires some technical skills and simple tools (such as a screwdriver). These CRUs are isolated parts within the computer. They are usually

concealed by an access panel that is secured by more than two screws. You must remove the screws and panel to access the specific CRU. Optional-service CRUs can be removed and installed by users or, during the warranty period, by a Lenovo service technician.

Before replacing FRUs

Before replacing any FRU, read the following:

- Only certified and trained personnel can service the computer.
- Before replacing an FRU, read the entire section about replacing the part.
- Be extremely careful during writing operations such as copying, saving, or formatting.

The sequence of the drives in the computer that you are servicing might have been altered. If you select an incorrect drive, data or programs might be overwritten.

- Replace an FRU only with another FRU of the correct model.

When you replace an FRU, ensure that the model of the machine and the FRU part number are correct.

- An FRU should not be replaced because of a single, unreproducible failure.

Single failures can occur for a variety of reasons that have nothing to do with a hardware defect, such as cosmic radiation, electrostatic discharge, or software errors. Consider replacing an FRU only when a problem recurs. If you suspect that an FRU is defective, clear the error log and run the test again. If the error does not recur, do not replace the FRU.

- Only replace a defective FRU.

Locating FRUs (including CRUs)

Notes:

- Some of the components are optional.
- To replace a component that is not in the list below, contact a Lenovo service technician. For a list of Lenovo Support phone numbers, go to:
<http://www.lenovo.com/support/phone>

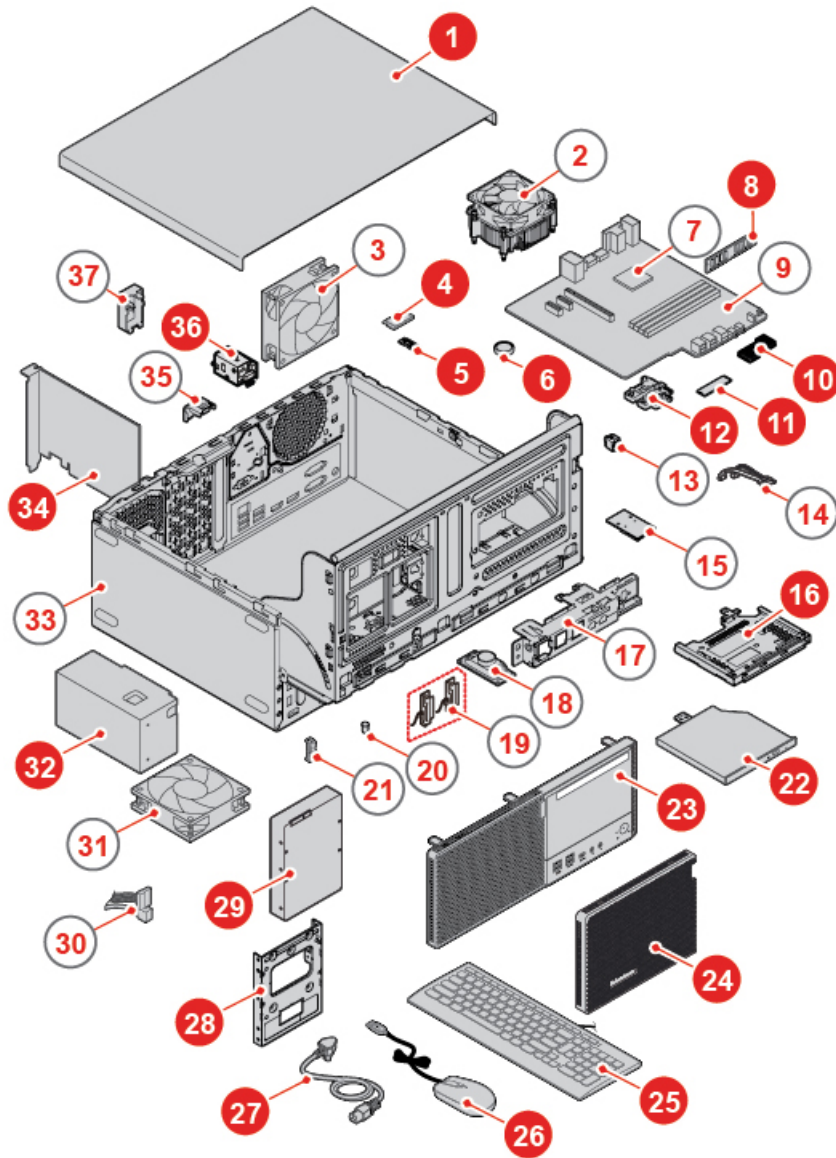


Figure 9. Locating FRUs

Self-service CRUs	Optional-service CRUs	Non-CRUs
1 Computer cover	4 Wi-Fi card	2 Heat sink and fan assembly
6 Coin-cell battery	5 Wi-Fi card shield	3 Rear fan
8 Memory module	32 Power supply assembly	7 Microprocessor
10 M.2 solid-state drive heat sink	36 E-lock	9 System board
11 M.2 solid-state drive		13 Power button
12 M.2 solid-state drive bracket		14 Optical drive cable
16 Optical drive bracket		15 Card reader
22 Optical drive		17 Front I/O bracket

Self-service CRUs	Optional-service CRUs	Non-CRUs
<ul style="list-style-type: none"> 23 Front bezel 24 Dust shield 25 Keyboard 26 Mouse 27 Power cord 28 Storage converter 29 Primary or secondary storage drive (a 2.5-inch or 3.5-inch storage drive) 34 PCI Express card 		<ul style="list-style-type: none"> 18 Internal speaker 19 Wi-Fi antennas 20 Illuminated red dot cable 21 Thermal sensor 30 Storage drive cable 31 Front fan 33 Chassis 35 Cover presence switch (Intrusion switch) 37 Wi-Fi antenna cover

Replacing the keyboard or wireless keyboard

Note: The wireless keyboard is available only on some models.

Replacing the keyboard

1. Turn off the computer and disconnect all power cords from electrical outlets.
2. Disconnect the old keyboard cable from the computer.
3. Connect a new keyboard to the appropriate connector on the computer.

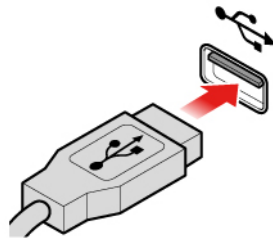


Figure 10. Replacing the keyboard

Replacing the wireless keyboard

1. Remove your old wireless keyboard.
2. Take out the new wireless keyboard from the package.
3. Open the battery compartment cover, and install two AAA batteries according to the polarity indicators.

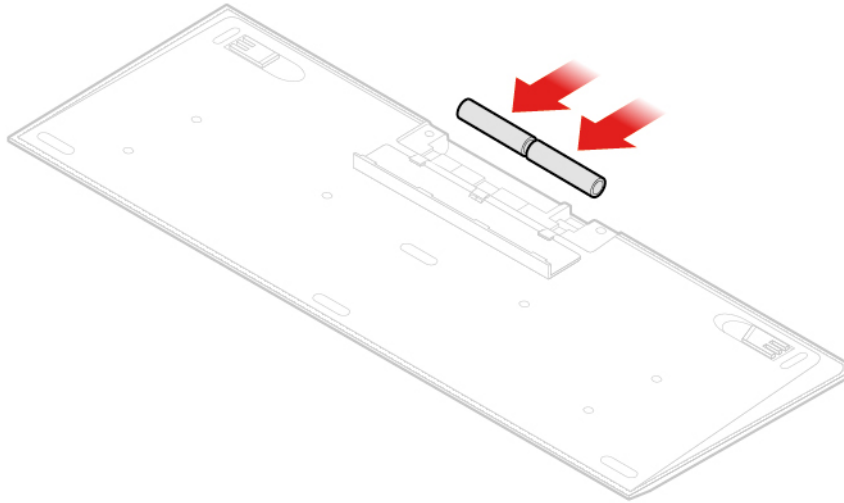


Figure 11. Replacing the wireless keyboard

4. Remove the USB dongle from the keyboard compartment or from the wireless mouse compartment and connect it to an available USB connector on the computer.
5. Close the compartment cover. The keyboard is ready for use.

Replacing the mouse or wireless mouse

Note: The wireless mouse is available only on some models.

Replacing the mouse

1. Turn off the computer and disconnect all power cords from electrical outlets.
2. Disconnect the old mouse cable from the computer.
3. Connect a new mouse to the appropriate connector on the computer.

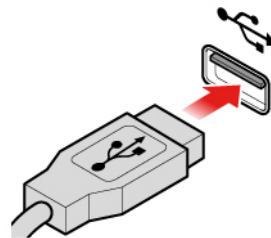


Figure 12. Replacing the mouse

Replacing the wireless mouse

1. Disconnect the USB dongle from your computer. Then, remove your old wireless mouse.
2. Remove the new wireless mouse from the package.
3. Open the battery compartment cover, and install two AAA batteries according to the polarity indicators.

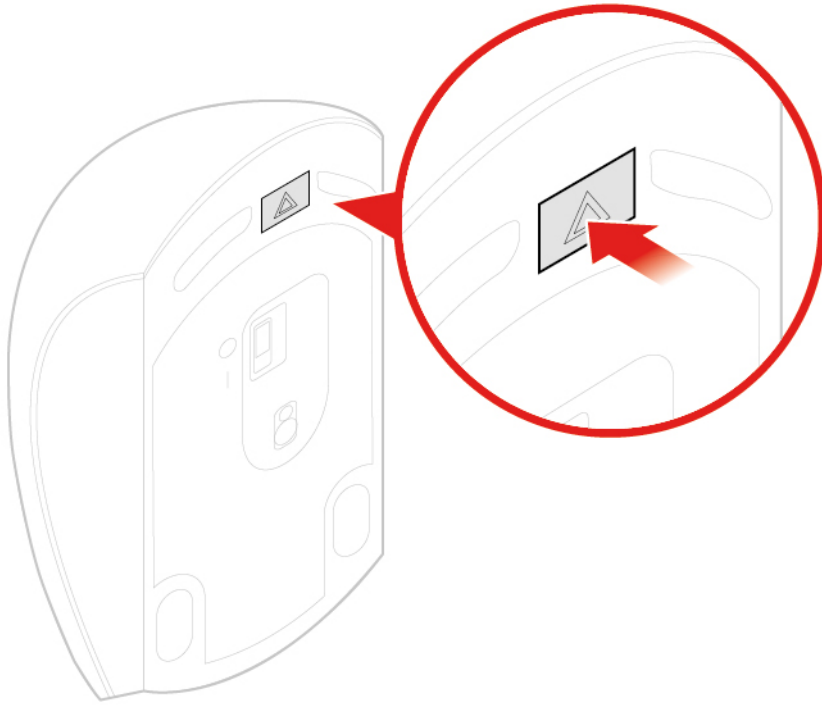


Figure 13. Opening the battery compartment

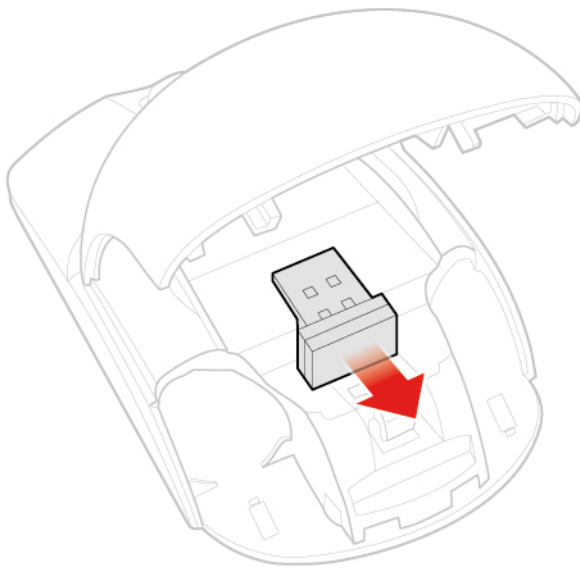


Figure 14. Taking out the USB dongle

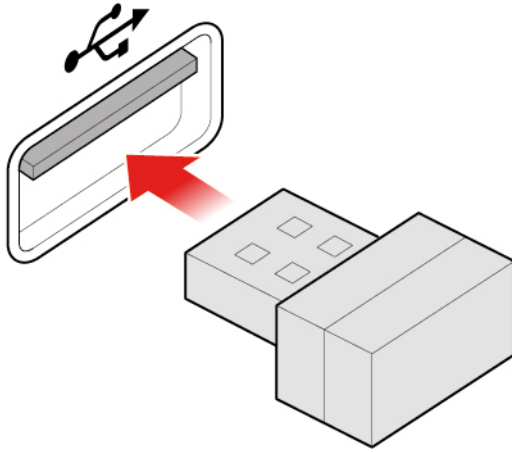


Figure 15. Connecting the USB dongle to a USB connector

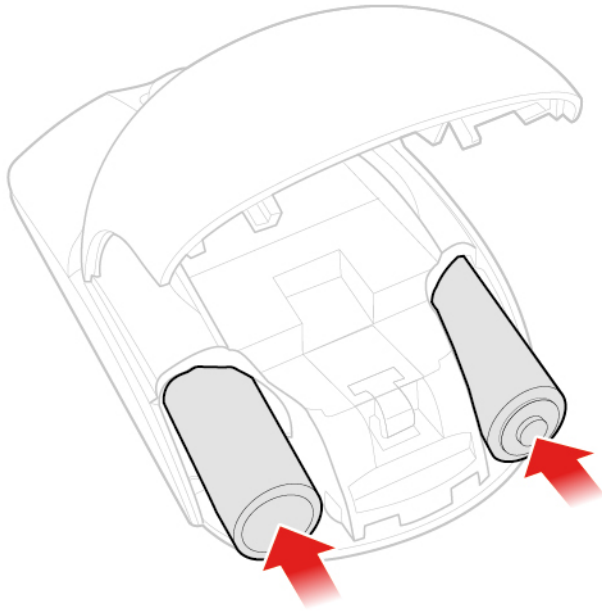


Figure 16. Installing the mouse batteries

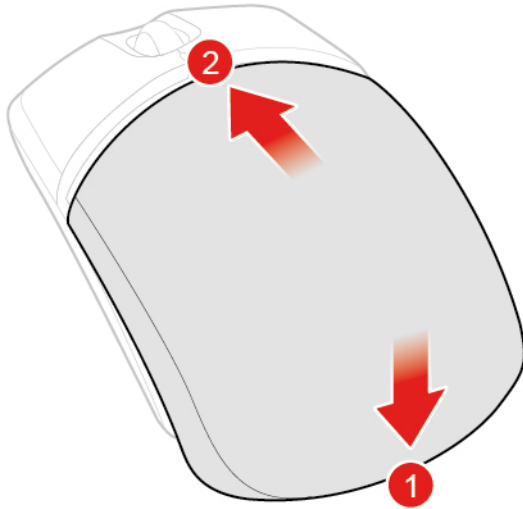


Figure 17. Closing the battery compartment cover

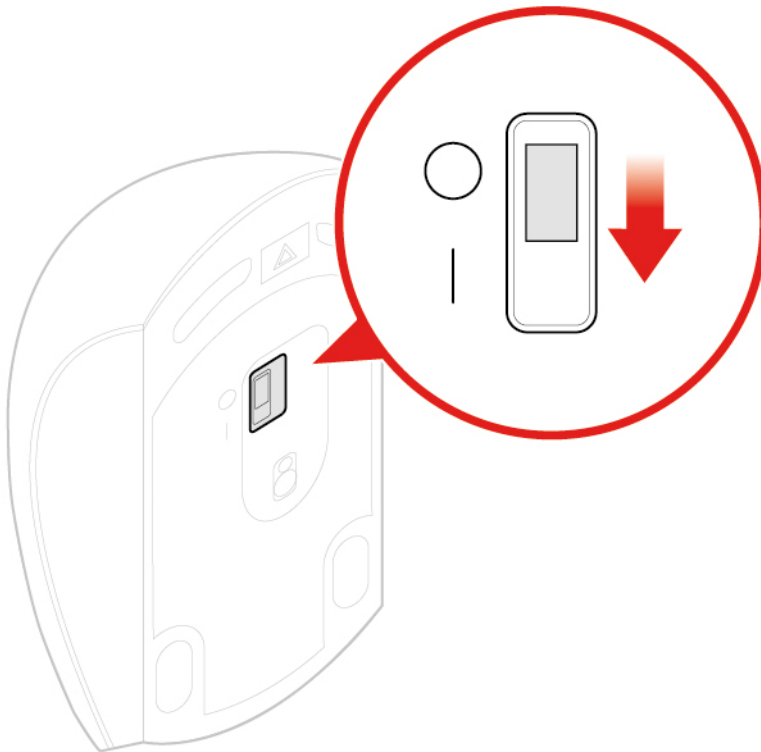


Figure 18. Pushing the power switch to the on position

Notes:

- The green LED indicates that the mouse is ready for use.
- The flashing amber LED indicates a low battery level.
- Push the power switch to the off position when you are not using the mouse to extend the battery life.
- After disconnecting the USB dongle from your computer, store it in the wireless mouse compartment or in the wireless keyboard compartment.

Replacing the power cord

Attention: Do not open your computer or attempt any repairs before reading the *Important Product Information Guide*.

1. Remove any media from the drives and turn off all connected devices and the computer.
2. Disconnect all power cords from electrical outlets and disconnect all cables that are connected to the computer.
3. Replace the power cord.

Note: Your power cord might look different from the one illustrated.

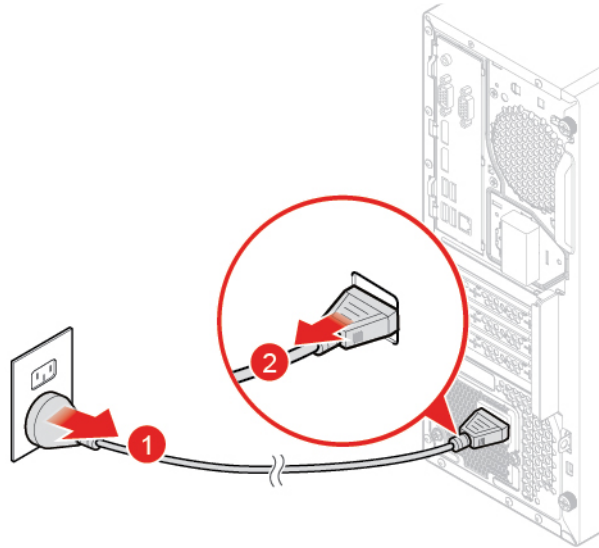


Figure 19. Removing the power cord

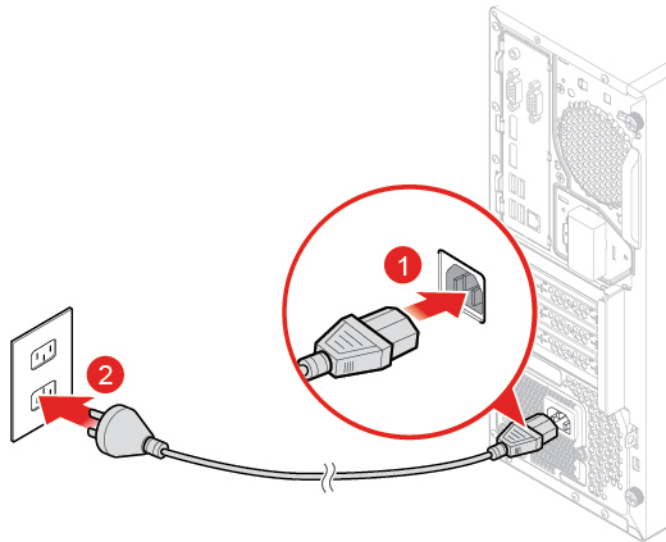


Figure 20. Installing the power cord

Replacing the dust shield

Note: The dust shield is optional.

Attention: Do not open your computer or attempt any repairs before reading the *Important Product Information Guide*.

1. Remove any media from the drives and turn off all connected devices and the computer.
2. Disconnect all power cords from electrical outlets and disconnect all cables that are connected to the computer.
3. Replace the dust shield.

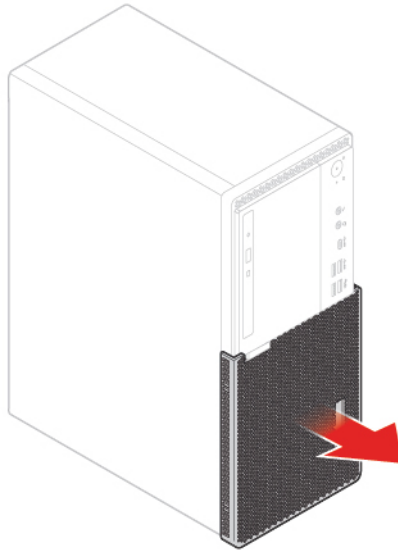


Figure 21. Removing the dust shield

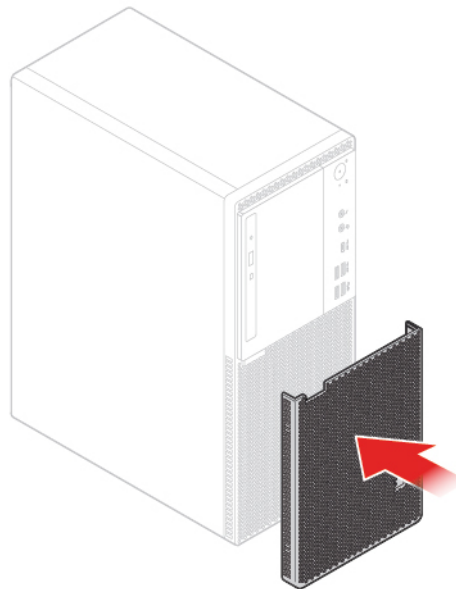


Figure 22. Installing the dust shield

Removing the computer cover

Note: Before you open the computer cover, ensure that the E-lock has been unlocked in the Setup Utility program. See “Computer locks”.

Attention: Do not open your computer or attempt any repairs before reading the *Important Product Information Guide*.

CAUTION:



Before you open the computer cover, turn off the computer and wait several minutes until the computer is cooled down.

1. Remove any media from the drives and turn off all connected devices and the computer.
2. Disconnect all power cords from electrical outlets and disconnect all cables that are connected to the computer.
3. Unlock any locking device that secures the computer cover.
4. Remove the dust shield if necessary. See “Replacing the dust shield” on page 22.
5. Remove the computer cover.

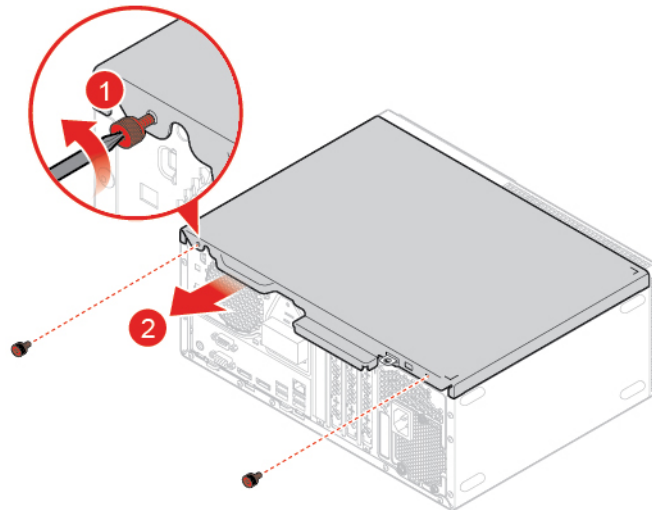


Figure 23. Removing the computer cover

6. Complete the replacement. See “Completing the parts replacement” on page 74.

Replacing the front bezel

Attention: Do not open your computer or attempt any repairs before reading the *Important Product Information Guide*.

1. Remove the computer cover. See “Removing the computer cover” on page 23.
2. Replace the front bezel.

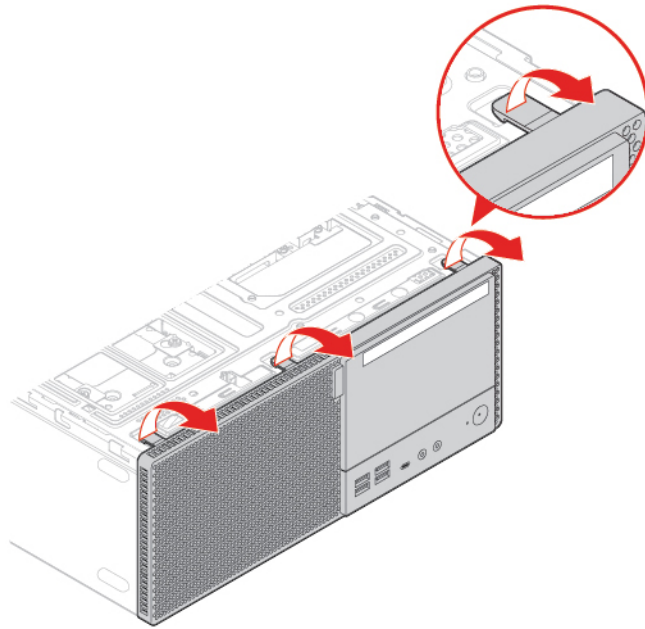


Figure 24. Removing the front bezel

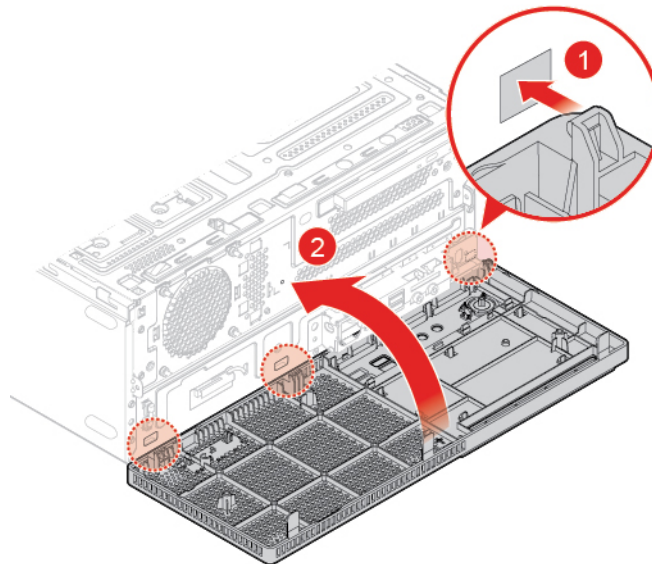


Figure 25. Installing the front bezel

3. Complete the replacement. See “Completing the parts replacement” on page 74.

Replacing the optical drive

Attention: Do not open your computer or attempt any repairs before reading the *Important Product Information Guide*.

1. Remove the computer cover. See “Removing the computer cover” on page 23.
2. Remove the front bezel. See “Replacing the front bezel” on page 23.
3. Disconnect the signal and power connectors from the optical drive.
4. Replace the optical drive.

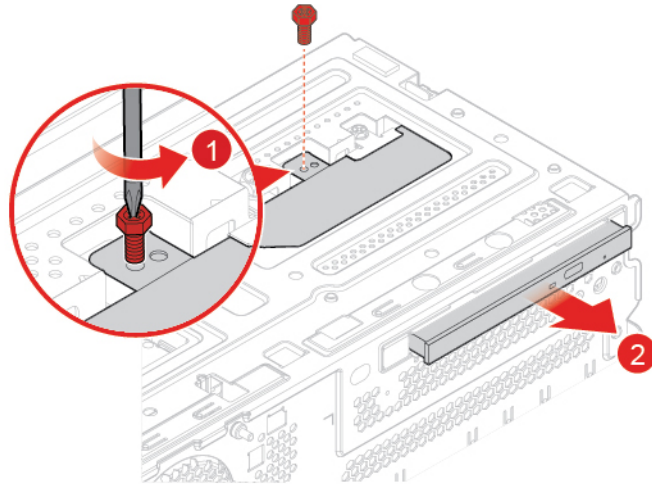


Figure 26. Removing the optical drive

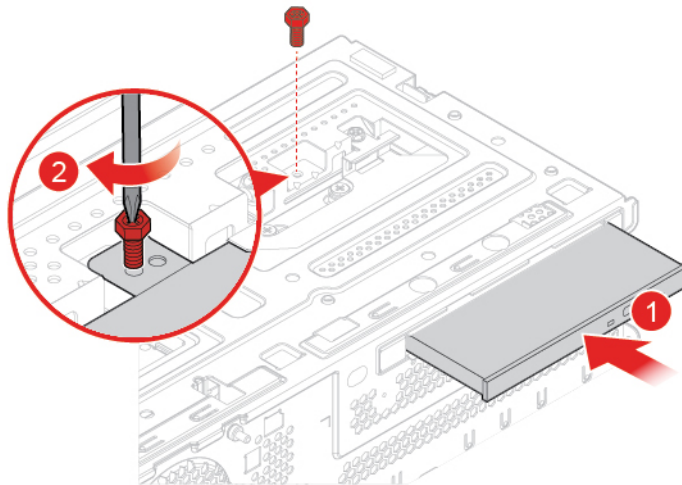


Figure 27. Installing the optical drive

5. Connect the signal and power connectors to the new optical drive.
6. Complete the replacement. See “Completing the parts replacement” on page 74.

Replacing the optical drive bracket

Attention: Do not open your computer or attempt any repairs before reading the *Important Product Information Guide*.

1. Remove the computer cover. See “Removing the computer cover” on page 23.
2. Remove the front bezel. See “Replacing the front bezel” on page 23.
3. Remove the optical drive. See “Replacing the optical drive” on page 24.
4. Replace the optical drive bracket.

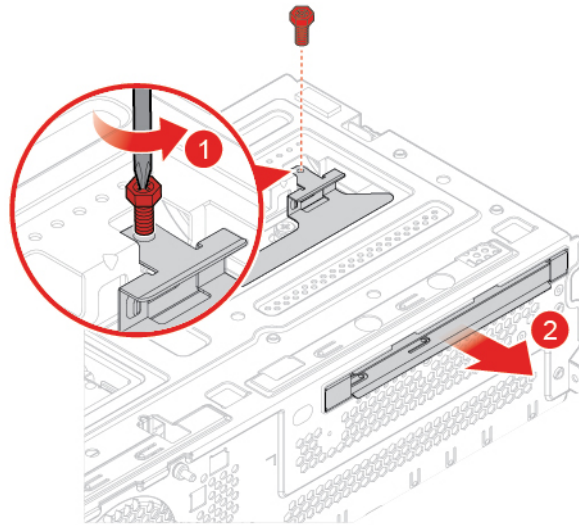


Figure 28. Removing the optical drive bracket

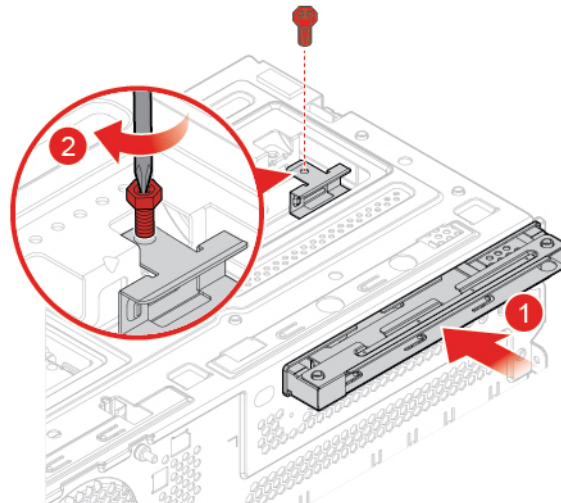


Figure 29. Installing the optical drive bracket

5. Complete the replacement. See “Completing the parts replacement” on page 74.

Replacing the storage drive

Attention: Do not open your computer or attempt any repairs before reading the *Important Product Information Guide*.

Replacing the 3.5-inch storage drive

1. Remove the computer cover. See “Removing the computer cover” on page 23.
2. Remove the front bezel. See “Replacing the front bezel” on page 23.
3. Disconnect the signal and power connectors from the storage drive.
4. Refer to the following to replace the 3.5-inch storage drive.
 - 3.5-inch primary storage drive

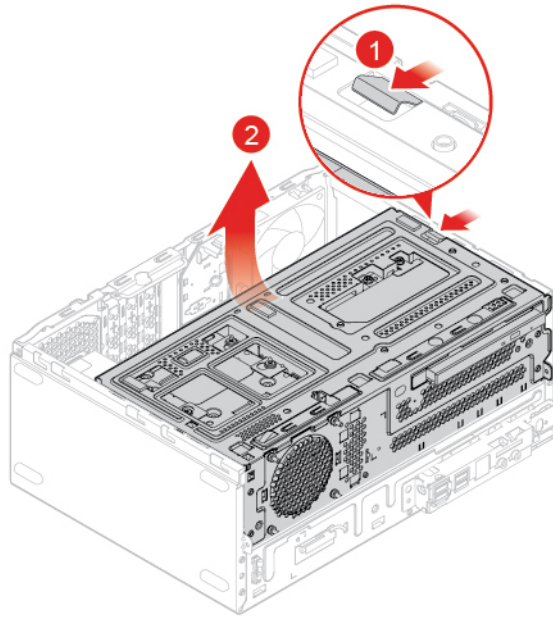


Figure 30. Opening the drive bay

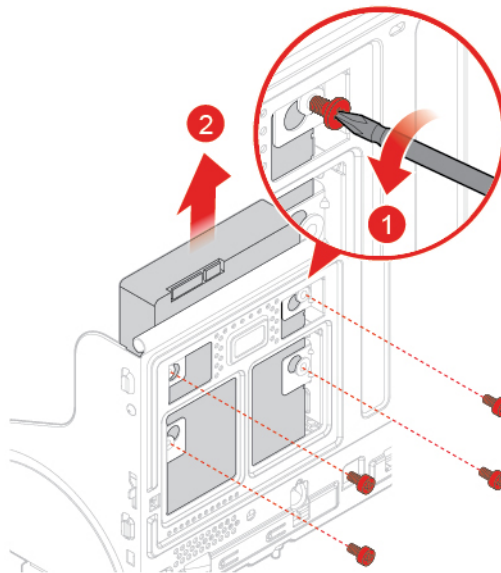


Figure 31. Removing the 3.5-inch primary storage drive

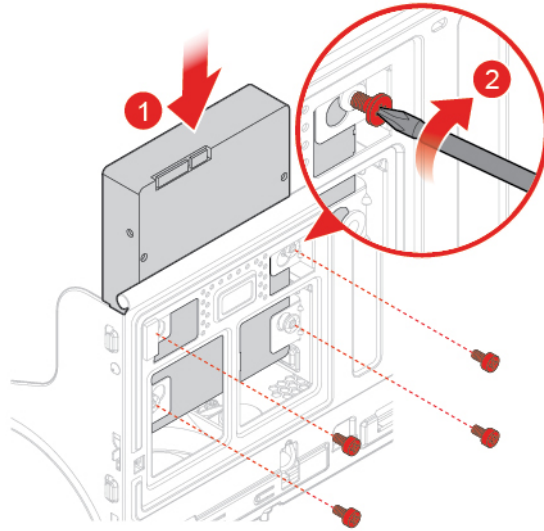


Figure 32. Installing the 3.5-inch primary storage drive

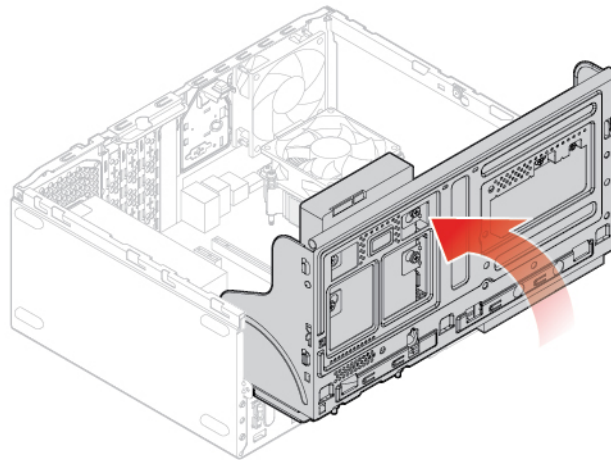


Figure 33. Closing the drive bay

- 3.5-inch secondary storage drive

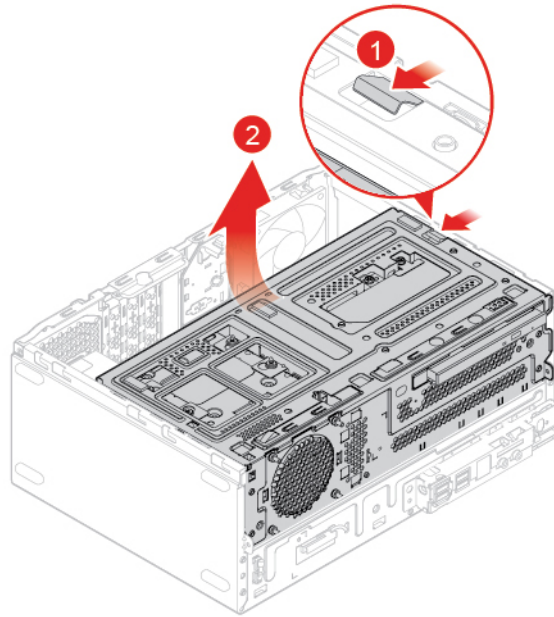


Figure 34. Opening the drive bay

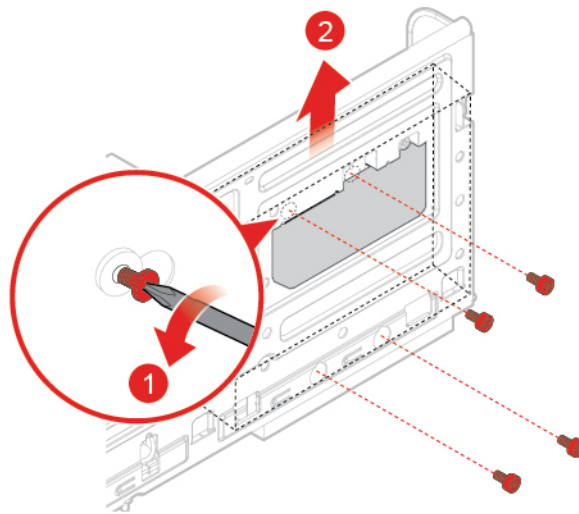


Figure 35. Removing the 3.5-inch secondary storage drive

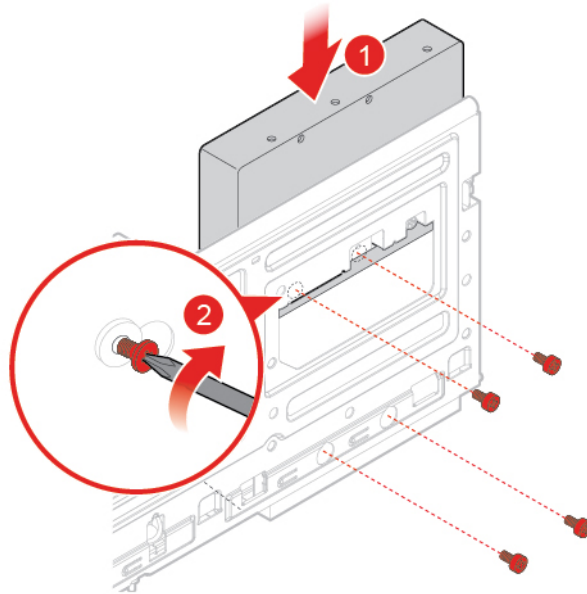


Figure 36. Installing the 3.5-inch secondary storage drive

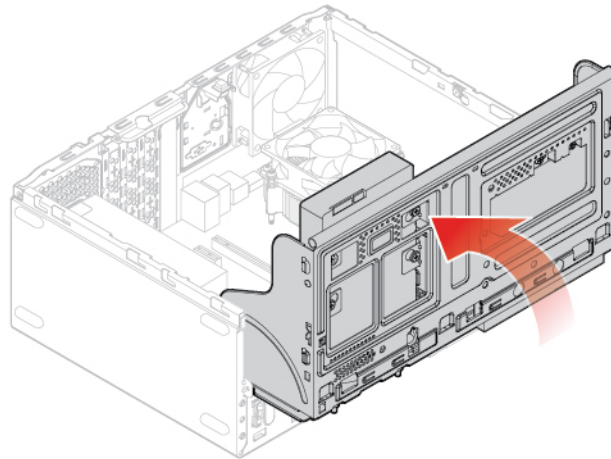


Figure 37. Closing the drive bay

5. Connect the signal and power connectors to the new storage drive.
6. Complete the replacement. See “Completing the parts replacement” on page 74.

Replacing the 2.5-inch storage drive

1. Remove the storage converter with the 2.5-inch storage drive. See “Replacing the 3.5-inch storage drive”.
2. Replace the 2.5-inch storage drive in the storage converter.

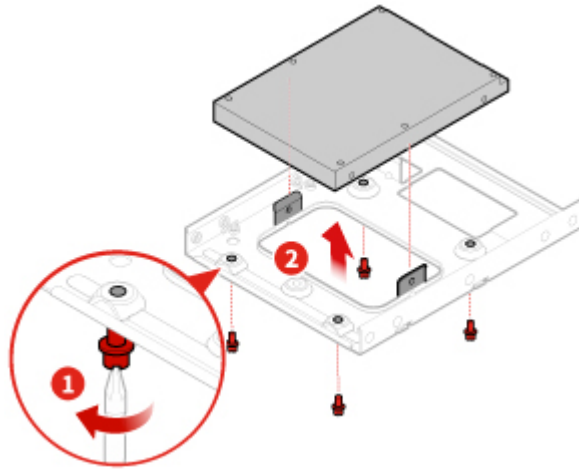


Figure 38. Removing the 2.5-inch storage drive from the storage converter

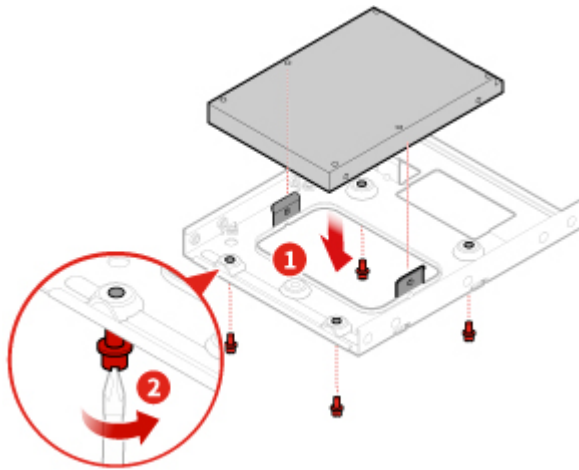


Figure 39. Installing the new 2.5-inch storage drive to the storage converter

3. Complete the replacement. See “Completing the parts replacement” on page 74.

Replacing a memory module

Attention: Do not open your computer or attempt any repairs before reading the *Important Product Information Guide*.

Notes:

- Before the installation, ensure that the memory slot latches are open.
- During the installation, ensure that you follow the installation order for memory modules shown in the following figure.

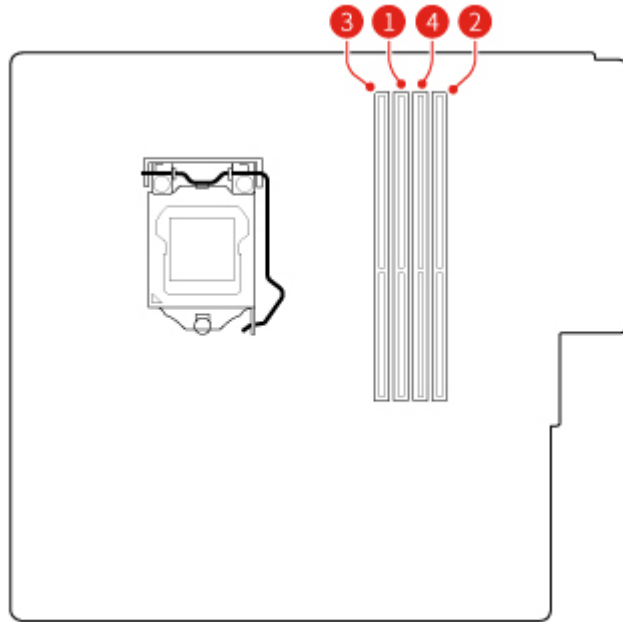


Figure 40. Installation order for memory modules

1. Remove the computer cover. See “Removing the computer cover” on page 23.
2. Remove the front bezel. See “Replacing the front bezel” on page 23.
3. Replace a memory module.

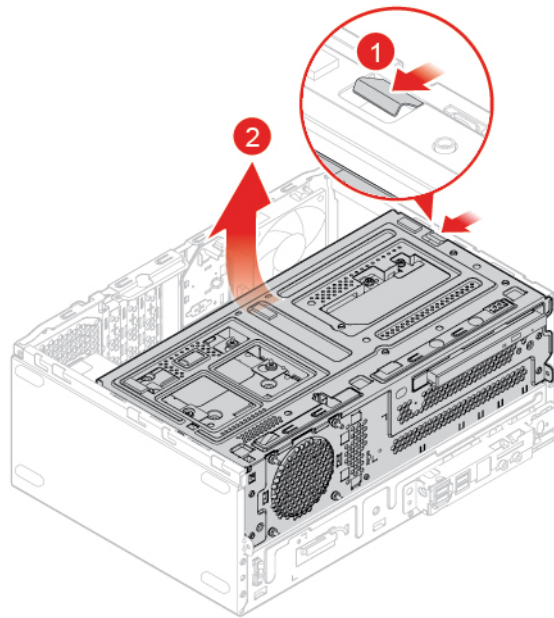


Figure 41. Opening the drive bay

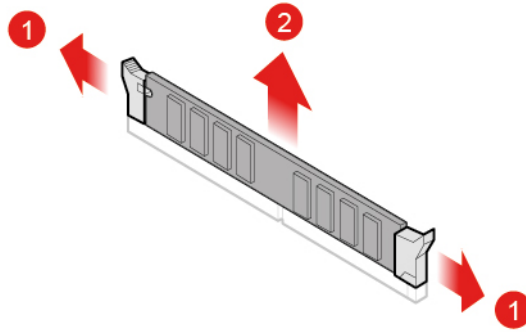


Figure 42. Removing the memory module

Note: During the installation, ensure that you align the memory module to the slot and press down on both ends until the latches are fully engaged with a click.

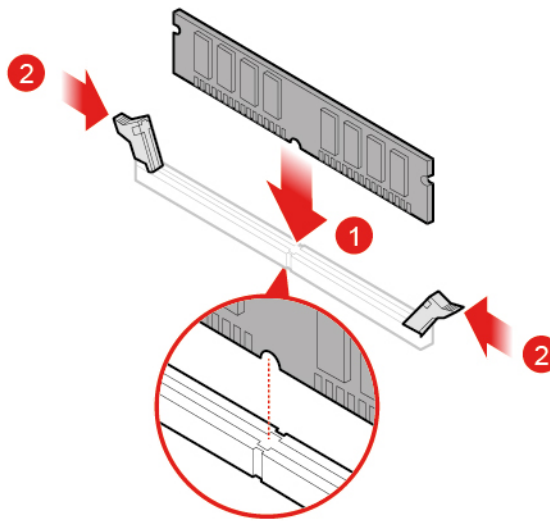


Figure 43. Installing the memory module

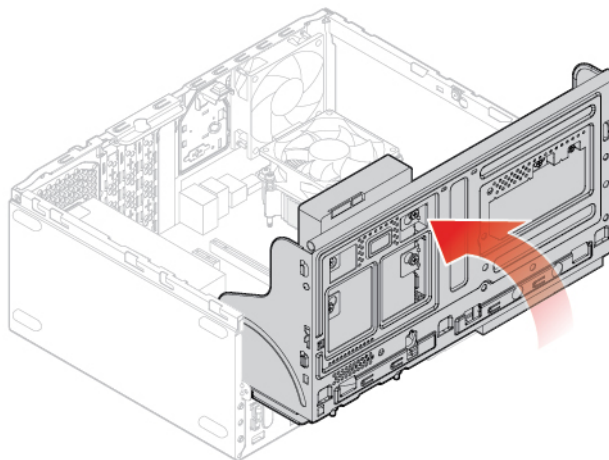


Figure 44. Closing the drive bay

4. Complete the replacement. See “Completing the parts replacement” on page 74.

Replacing a PCI Express card

Attention: Do not open your computer or attempt any repairs before reading the *Important Product Information Guide*.

1. Remove the computer cover. See “Removing the computer cover” on page 23.
2. Remove the front bezel. See “Replacing the front bezel” on page 23.
3. Replace a PCI Express card.

Notes:

- When you remove the PCI Express card, press the latch to disengage it from the slot. Then, gently remove the card from the slot.
- When you install the PCI Express card, press down on the rear end of the card until the latch is engaged with a click.

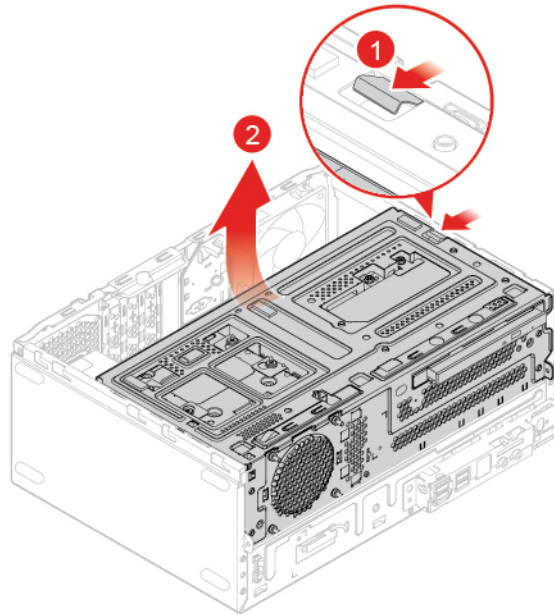


Figure 45. Opening the drive bay

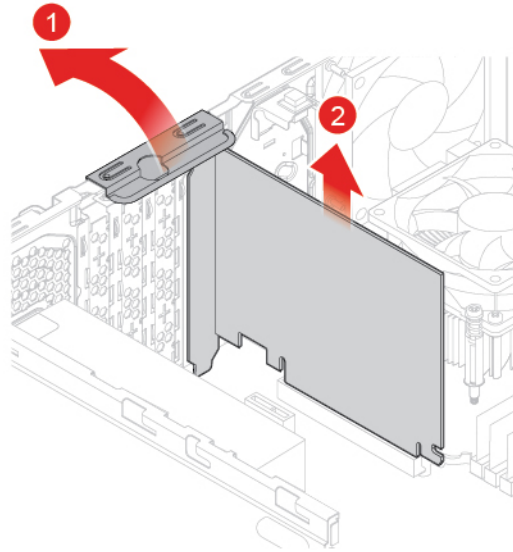


Figure 46. Removing the PCI Express card

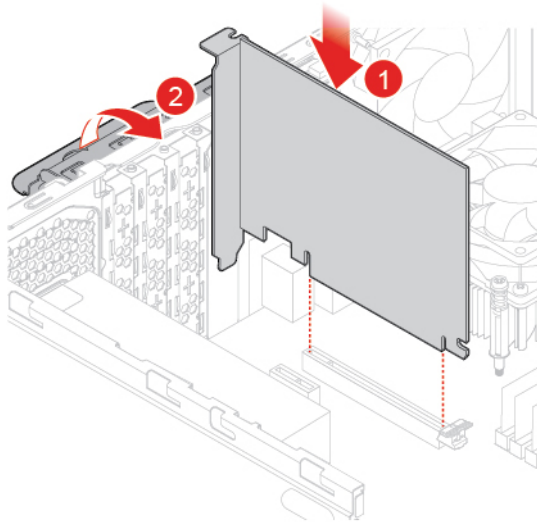


Figure 47. Installing the PCI Express card

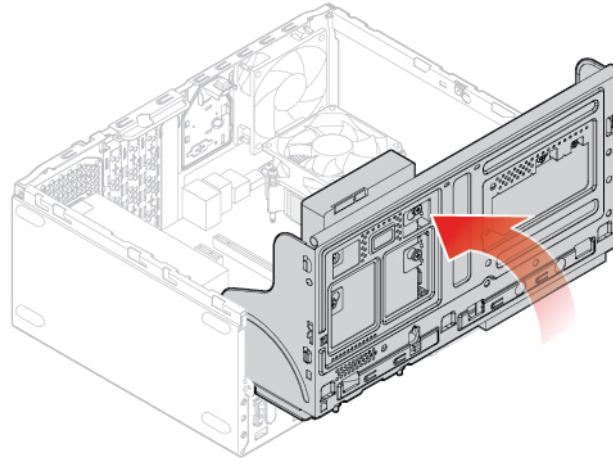


Figure 48. Closing the drive bay

4. Complete the replacement. See “Completing the parts replacement” on page 74.

Replacing the Wi-Fi card

Attention: Do not open your computer or attempt any repairs before reading the *Important Product Information Guide*.

1. Remove the computer cover. See “Removing the computer cover” on page 23.
2. Remove the front bezel. See “Replacing the front bezel” on page 23.
3. Replace the Wi-Fi card.

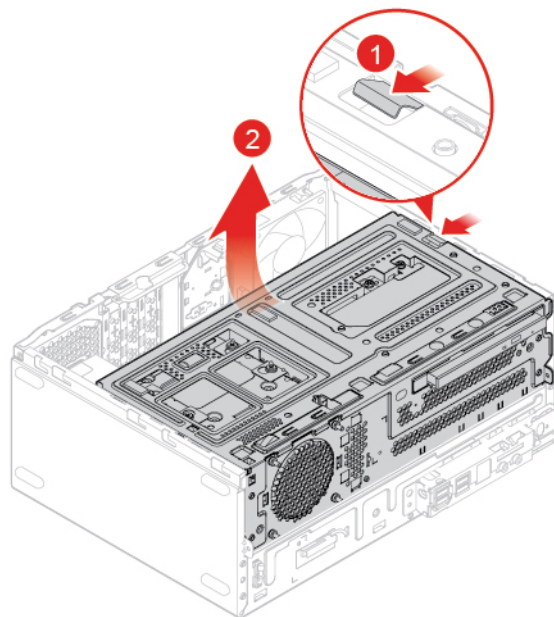


Figure 49. Opening the drive bay

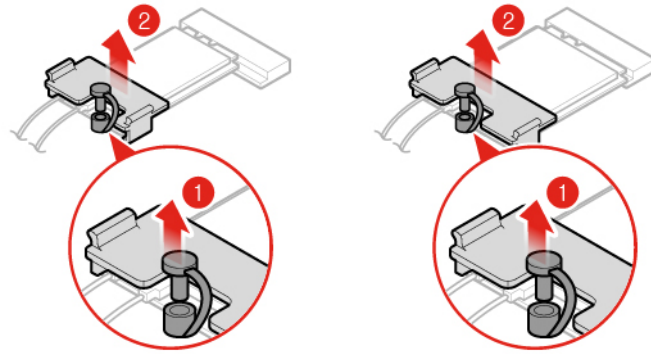


Figure 50. Removing the Wi-Fi card shield (type 1 and type 2)

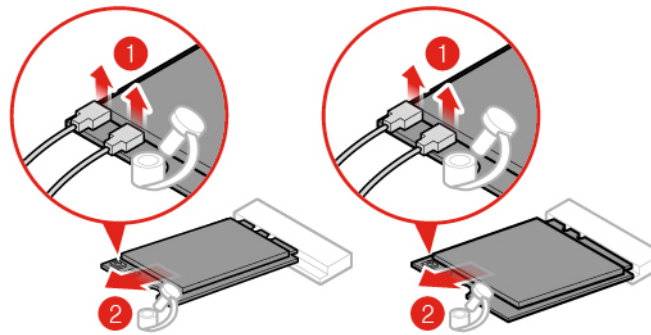


Figure 51. Disconnecting the Wi-Fi antennas and removing the Wi-Fi card (type 1 and type 2)

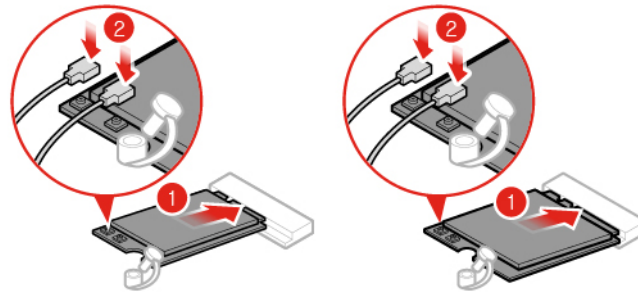


Figure 52. Installing the Wi-Fi card and connecting the Wi-Fi antennas (type 1 and type 2)

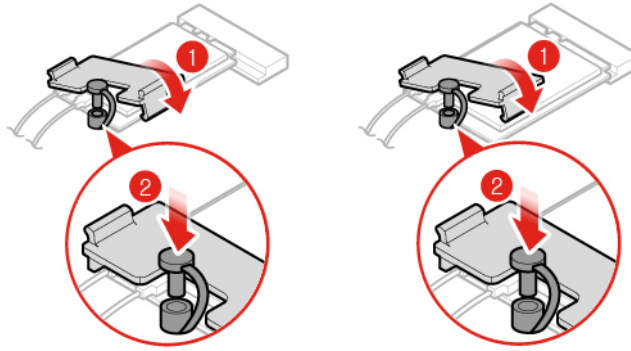


Figure 53. Installing the Wi-Fi card shield (type 1 and type 2)

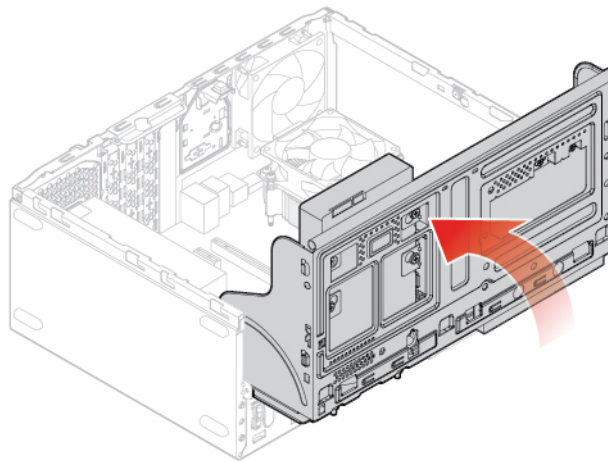


Figure 54. Closing the drive bay

4. Complete the replacement. See “Completing the parts replacement” on page 74.

Replacing the M.2 solid-state drive

Attention: Do not open your computer or attempt any repairs before reading the *Important Product Information Guide*.

1. Remove the computer cover. See “Removing the computer cover” on page 23.
2. Remove the front bezel. See “Replacing the front bezel” on page 23.
3. Depending on your computer model, refer to one of the following to replace the M.2 solid-state drive.
 - Type 1

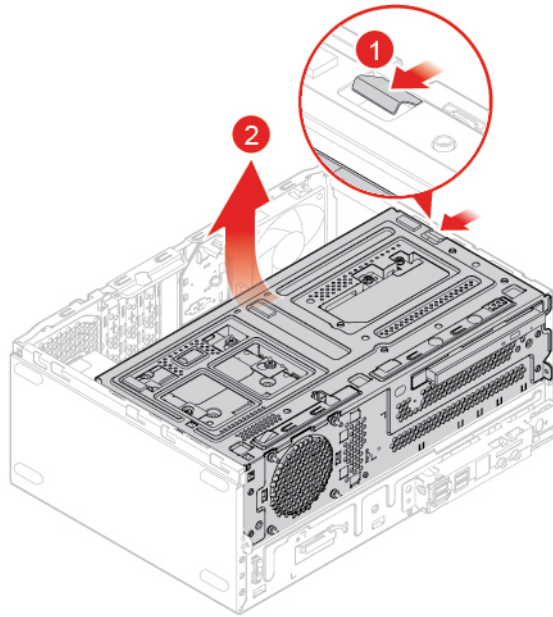


Figure 55. Opening the drive bay

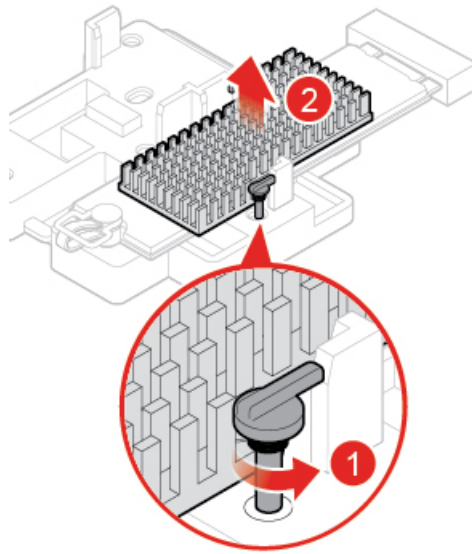


Figure 56. Removing the M.2 solid-state drive heat sink

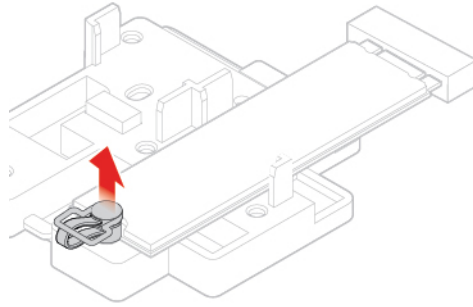


Figure 57. Unlocking the M.2 solid-state drive clip

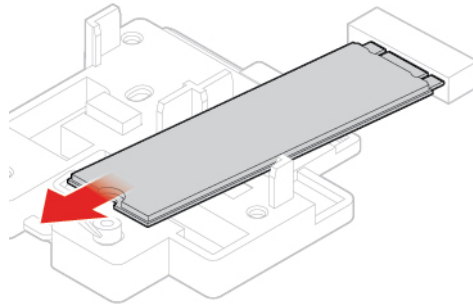


Figure 58. Removing the M.2 solid-state drive

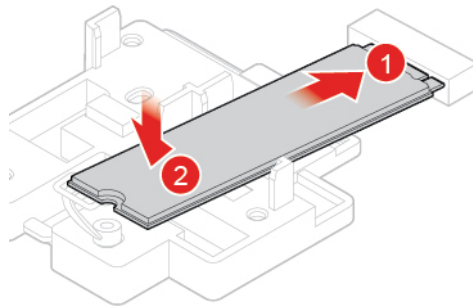


Figure 59. Installing the M.2 solid-state drive

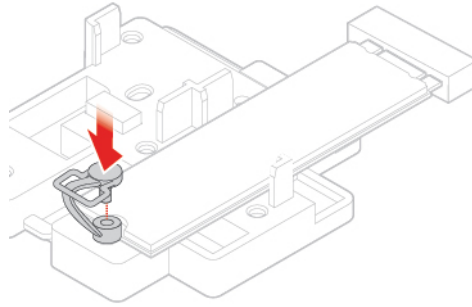


Figure 60. Locking the M.2 solid-state drive clip

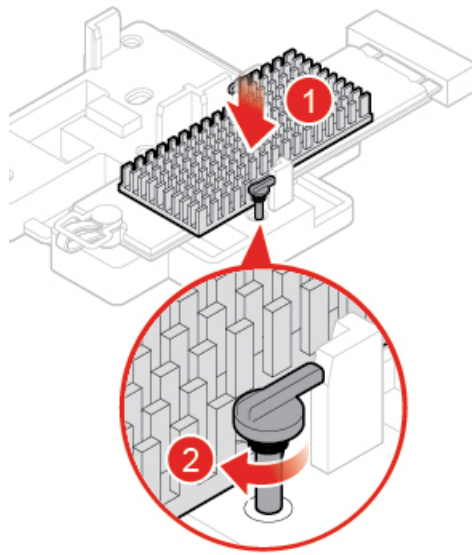


Figure 61. Installing the M.2 solid-state drive heat sink

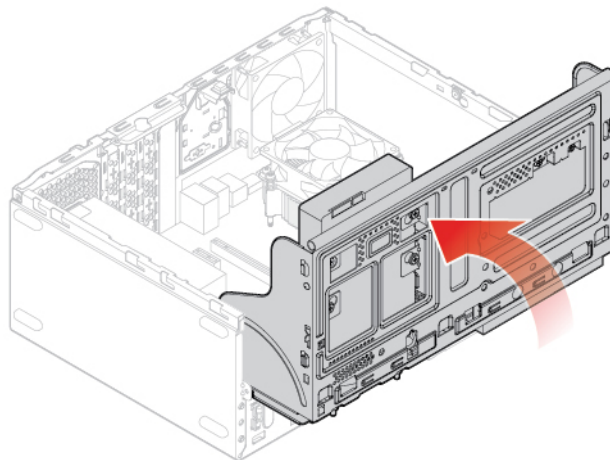


Figure 62. Closing the drive bay

- Type 2

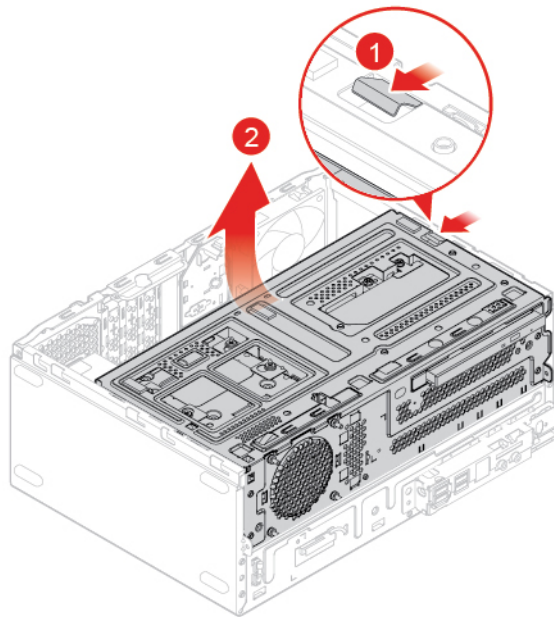


Figure 63. Opening the drive bay

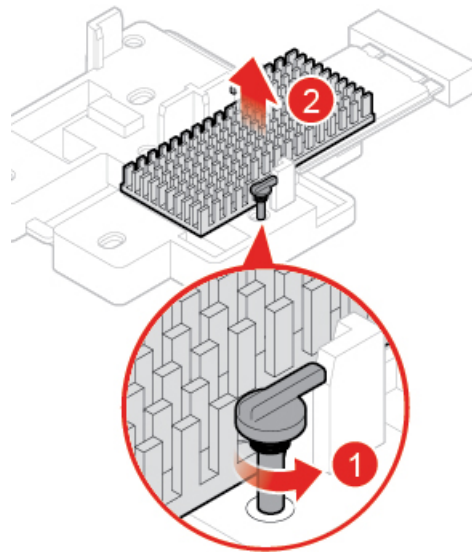


Figure 64. Removing the M.2 solid-state drive heat sink

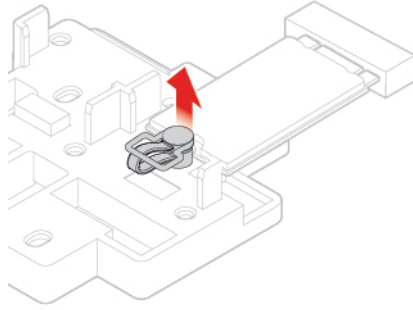


Figure 65. Unlocking the M.2 solid-state drive clip

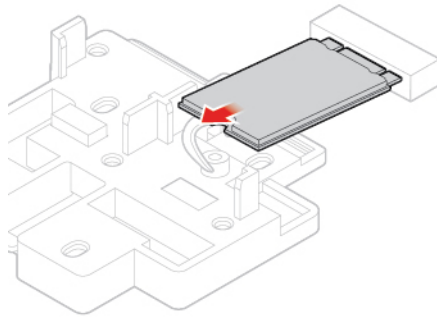


Figure 66. Removing the M.2 solid-state drive

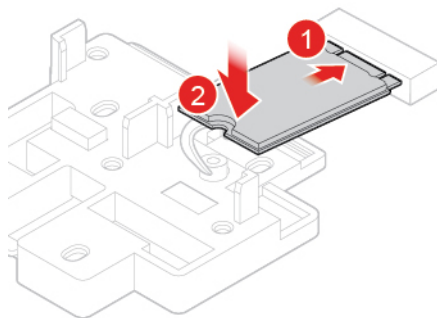


Figure 67. Installing the M.2 solid-state drive

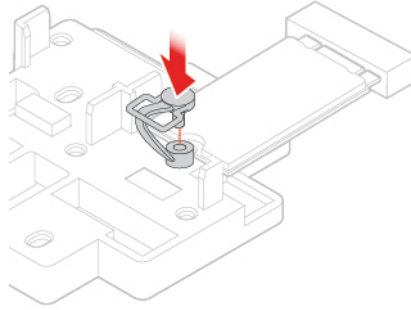


Figure 68. Locking the M.2 solid-state drive clip

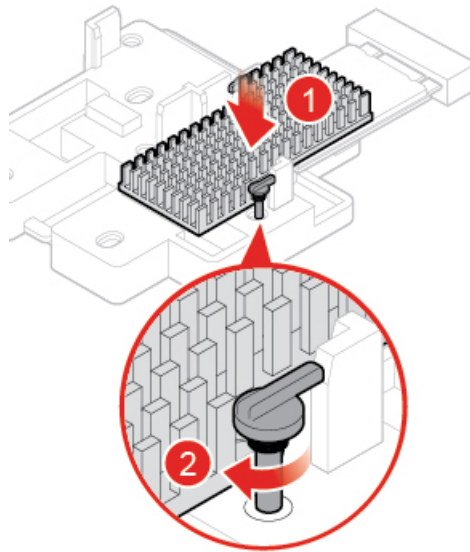


Figure 69. Installing the M.2 solid-state drive heat sink

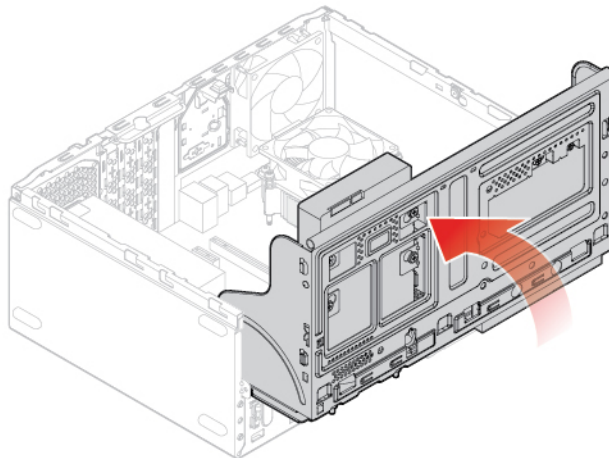


Figure 70. Closing the drive bay

4. Complete the replacement. See “Completing the parts replacement” on page 74.

Replacing the M.2 solid-state drive bracket

Attention: Do not open your computer or attempt any repairs before reading the *Important Product Information Guide*.

1. Remove the computer cover. See “Removing the computer cover” on page 23.
2. Remove the front bezel. See “Replacing the front bezel” on page 23.
3. Remove the M.2 solid-state drive. See “Replacing the M.2 solid-state drive” on page 38.
4. Replace the M.2 solid-state drive bracket.

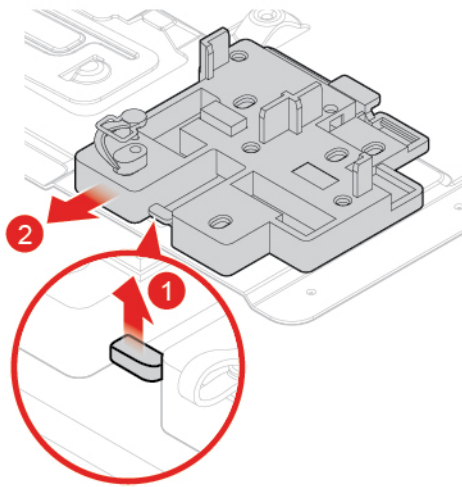


Figure 71. Removing the M.2 solid-state drive bracket

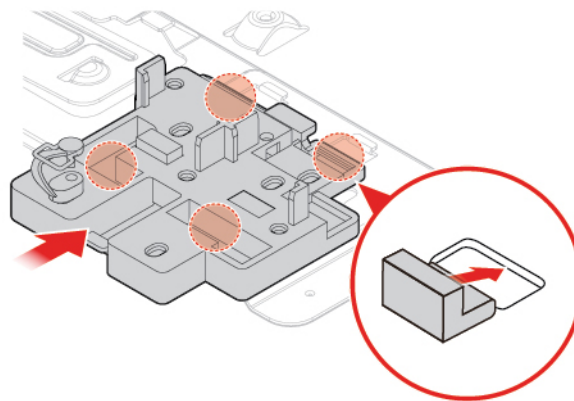


Figure 72. Installing the M.2 solid-state drive bracket

5. Complete the replacement. See “Completing the parts replacement” on page 74.

Replacing the power supply assembly

Attention: Do not open your computer or attempt any repairs before reading the *Important Product Information Guide*.

Although there are no moving parts in your computer after the power cord has been disconnected, the following warnings are required for your safety and proper Underwriters Laboratories (UL) certification.

CAUTION:



Hazardous moving parts. Keep fingers and other body parts away.

CAUTION:

Never remove the cover on a power supply or any part that has the following label attached.



Hazardous voltage, current, and energy levels are present inside any component that has this label attached. There are no serviceable parts inside these components. If you suspect a problem with one of these parts, contact a service technician.

1. Remove the computer cover. See “Removing the computer cover” on page 23.
2. Remove the front bezel. See “Replacing the front bezel” on page 23.
3. Disconnect the power supply assembly cables from the system board.
4. Replace the power supply assembly.

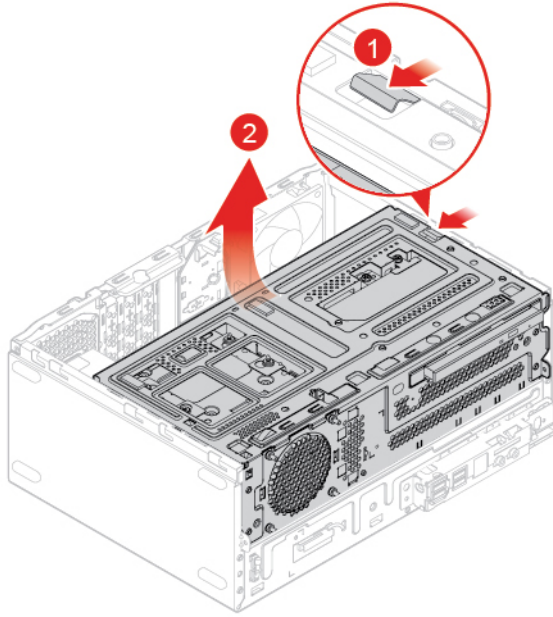


Figure 73. Opening the drive bay

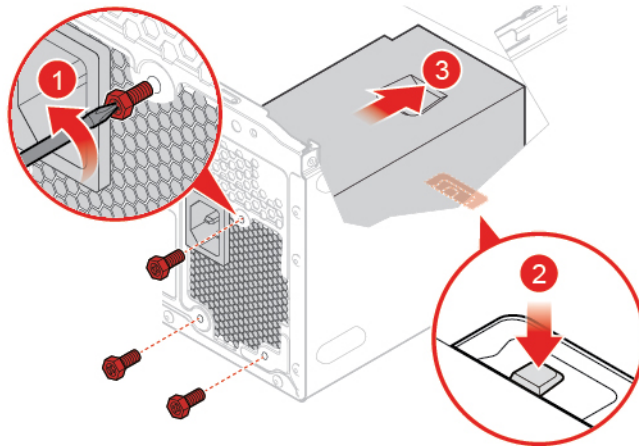


Figure 74. Removing the power supply assembly

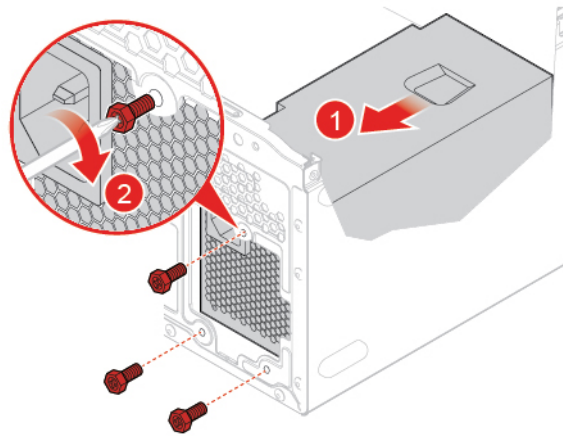


Figure 75. Installing the power supply assembly

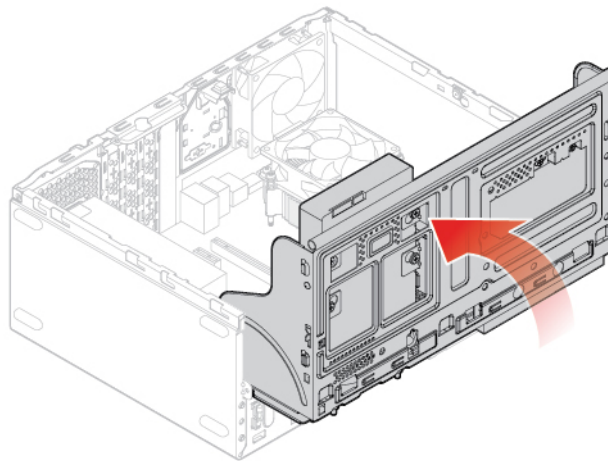


Figure 76. Closing the drive bay

5. Connect the power supply assembly cables to the system board.
6. Complete the replacement. See “Completing the parts replacement” on page 74.

Replacing the Wi-Fi antennas

Attention: Do not open your computer or attempt any repairs before reading the *Important Product Information Guide*.

Replacing the front Wi-Fi antenna

1. Remove the computer cover. See “Removing the computer cover” on page 23.
2. Remove the front bezel. See “Replacing the front bezel” on page 23.
3. Replace the front Wi-Fi antenna.

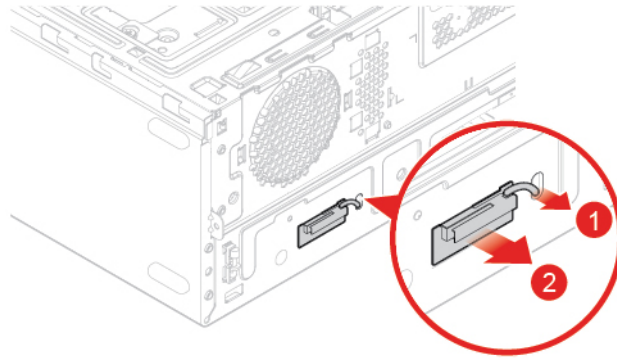


Figure 77. Removing the front Wi-Fi antenna

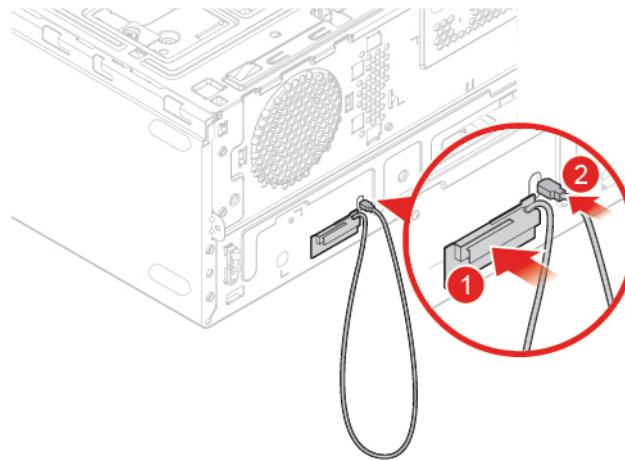


Figure 78. Installing the front Wi-Fi antenna

4. Complete the replacement. See “Completing the parts replacement” on page 74.

Replacing the rear Wi-Fi antenna

1. Remove the computer cover. See “Removing the computer cover” on page 23.
2. Remove the front bezel. See “Replacing the front bezel” on page 23.
3. Replace the rear Wi-Fi antenna.

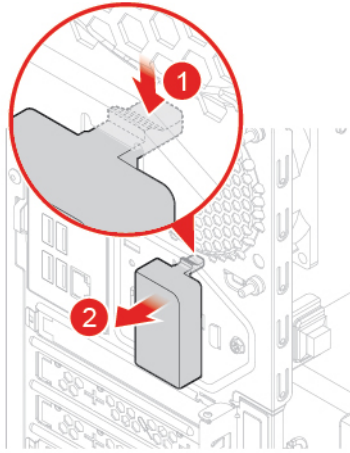


Figure 79. Removing the rear Wi-Fi antenna cover

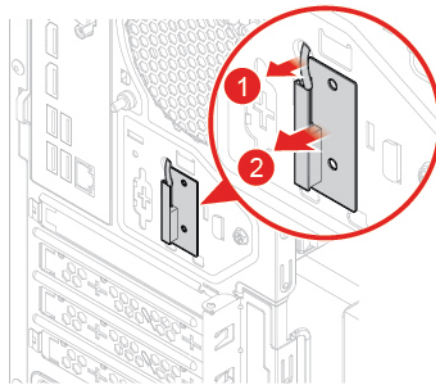


Figure 80. Removing the rear Wi-Fi antenna

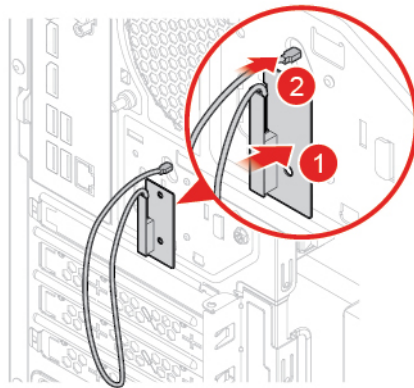


Figure 81. Installing the rear Wi-Fi antenna

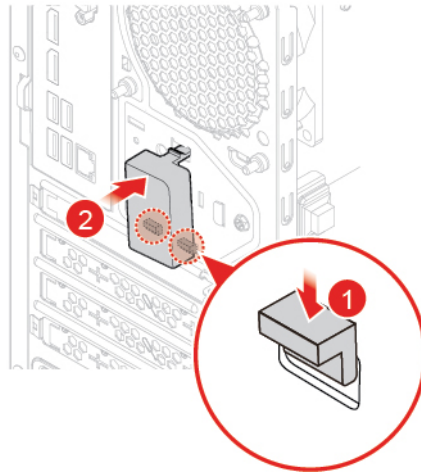


Figure 82. Installing the rear Wi-Fi antenna cover

Replacing the internal speaker

Attention: Do not open your computer or attempt any repairs before reading the *Important Product Information Guide*.

1. Remove the computer cover. See “Removing the computer cover” on page 23.
2. Remove the front bezel. See “Replacing the front bezel” on page 23.
3. Disconnect the internal speaker cable from the system board.
4. Replace the internal speaker.

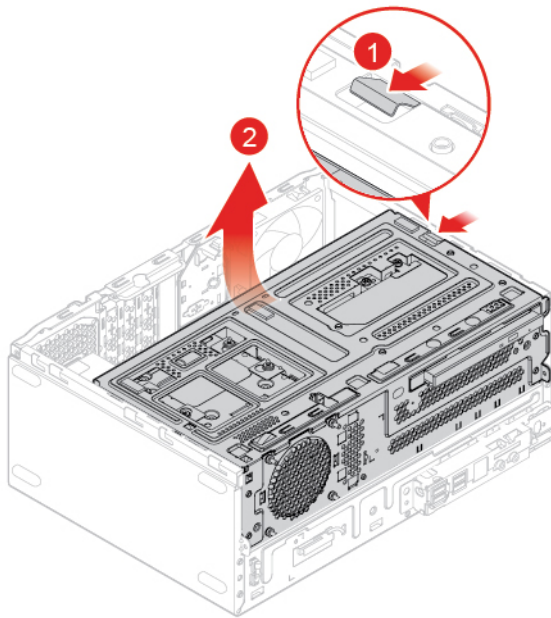


Figure 83. Opening the drive bay

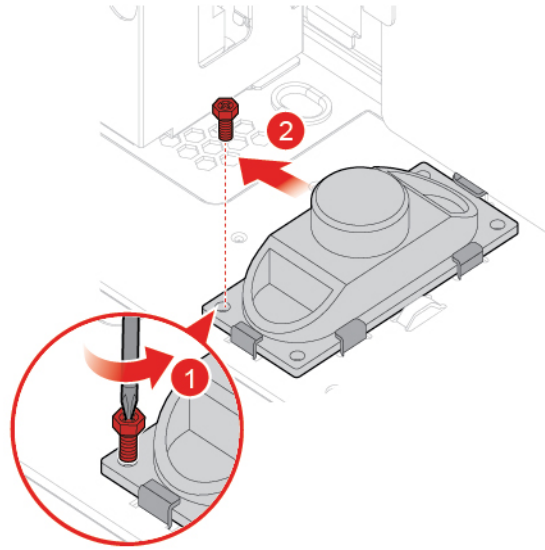


Figure 84. Removing the internal speaker

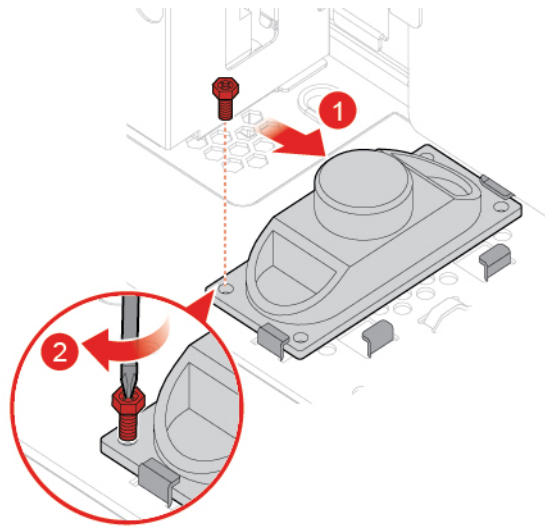


Figure 85. Installing the internal speaker

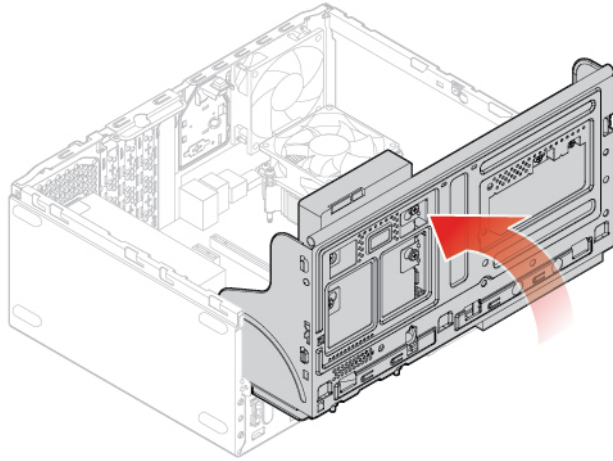


Figure 86. Closing the drive bay

5. Connect the internal speaker cable to the system board.
6. Complete the replacement. See “Completing the parts replacement” on page 74.

Replacing the front fan

Attention: Do not open your computer or attempt any repairs before reading the *Important Product Information Guide*.

1. Remove the computer cover. See “Removing the computer cover” on page 23.
2. Remove the front bezel. See “Replacing the front bezel” on page 23.
3. Disconnect the front fan cable from the system board.
4. Replace the front fan.

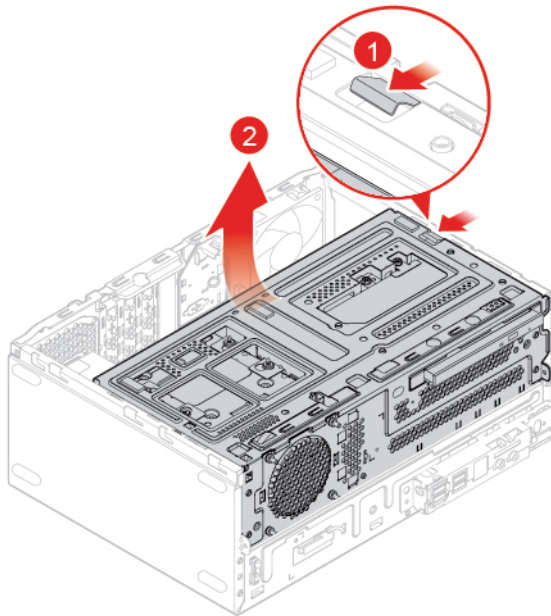


Figure 87. Opening the drive bay

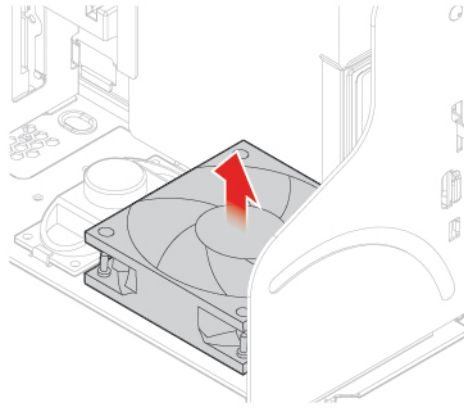


Figure 88. Removing the front fan

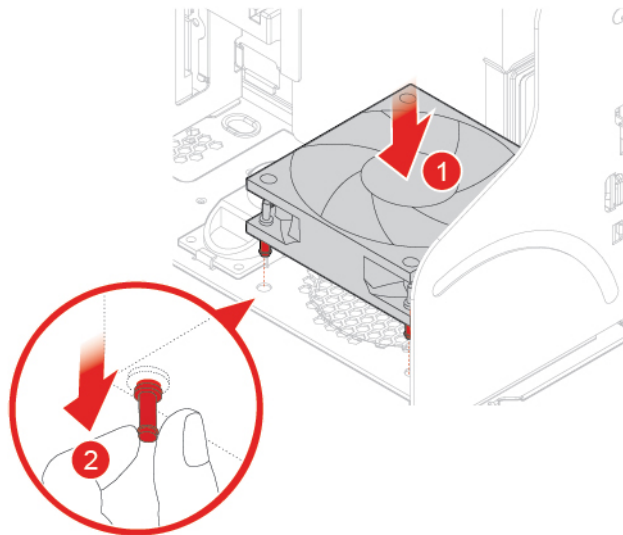


Figure 89. Installing the front fan

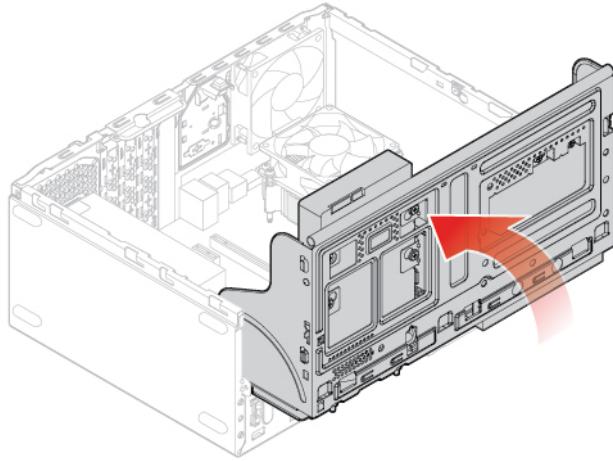


Figure 90. Closing the drive bay

5. Connect the front fan cable to the system board.
6. Complete the replacement. See “Completing the parts replacement” on page 74.

Replacing the illuminated red dot cable

Attention: Do not open your computer or attempt any repairs before reading the *Important Product Information Guide*.

1. Remove the computer cover. See “Removing the computer cover” on page 23.
2. Remove the front bezel. See “Replacing the front bezel” on page 23.
3. Disconnect the illuminated red dot cable from the system board.
4. Replace the illuminated red dot.

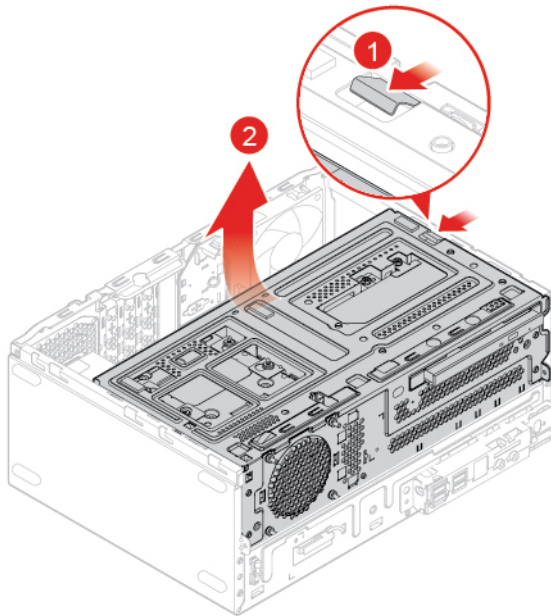


Figure 91. Opening the drive bay

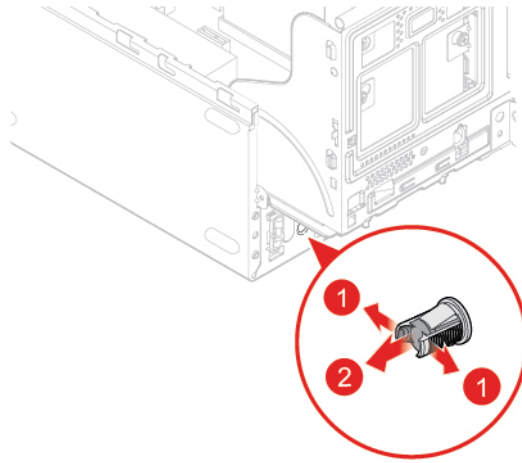


Figure 92. Removing the illuminated red dot cable

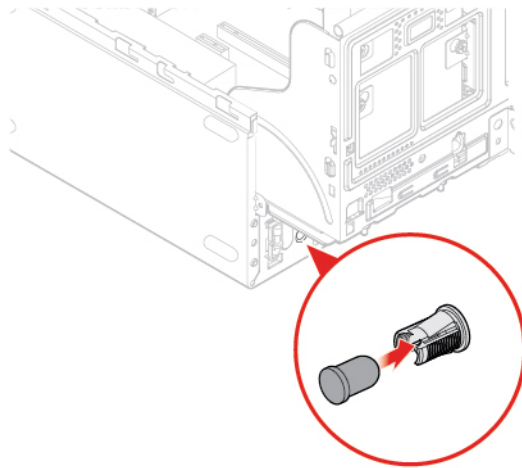


Figure 93. Installing the illuminated red dot cable

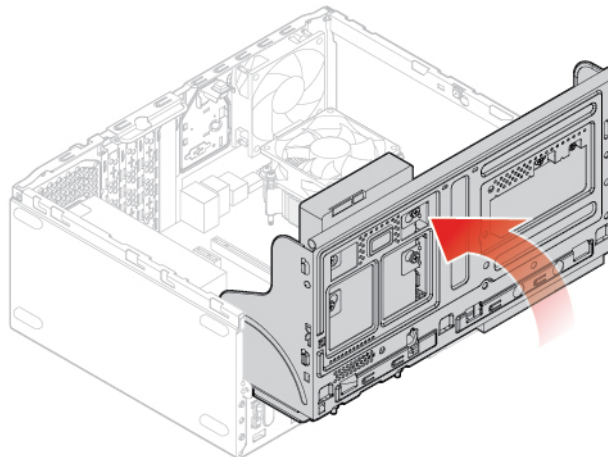


Figure 94. Closing the drive bay

5. Connect the new illuminated red dot cable to the system board.
6. Complete the replacement. See “Completing the parts replacement” on page 74.

Replacing the thermal sensor

Attention: Do not open your computer or attempt any repairs before reading the *Important Product Information Guide*.

1. Remove the computer cover. See “Removing the computer cover” on page 23.
2. Remove the front bezel. See “Replacing the front bezel” on page 23.
3. Disconnect the thermal sensor cable from the system board.
4. Replace the thermal sensor.

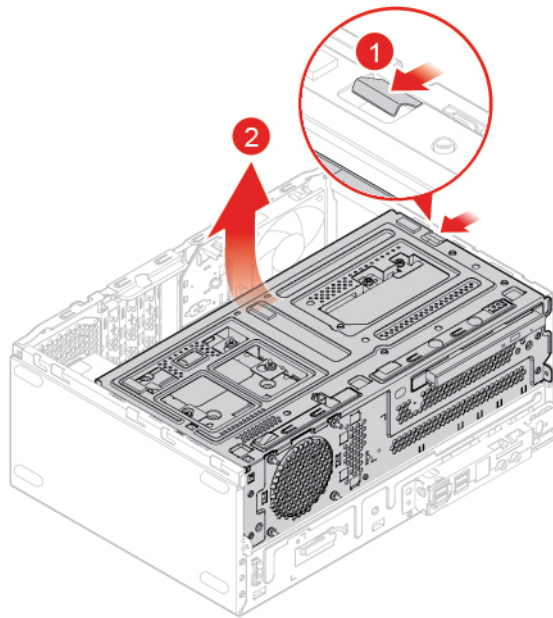


Figure 95. Opening the drive bay

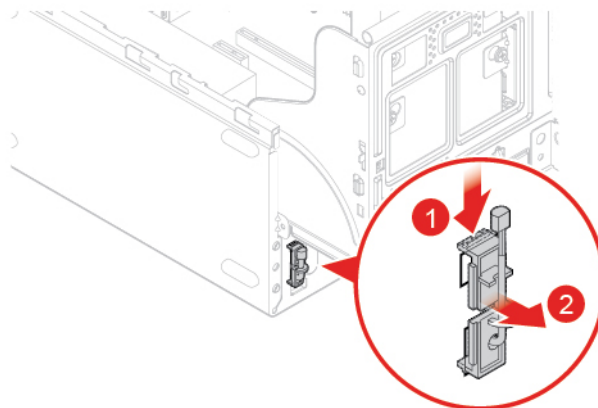


Figure 96. Removing the thermal sensor

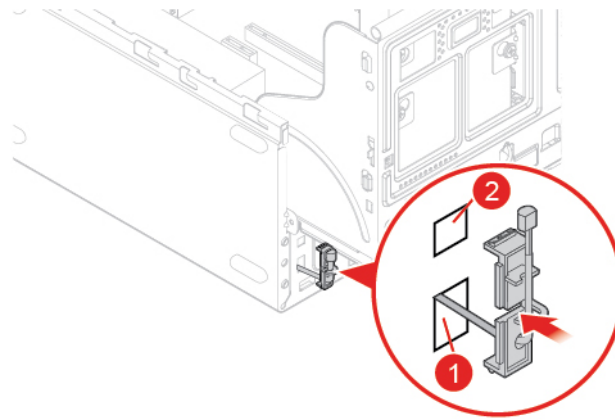


Figure 97. Installing the thermal sensor

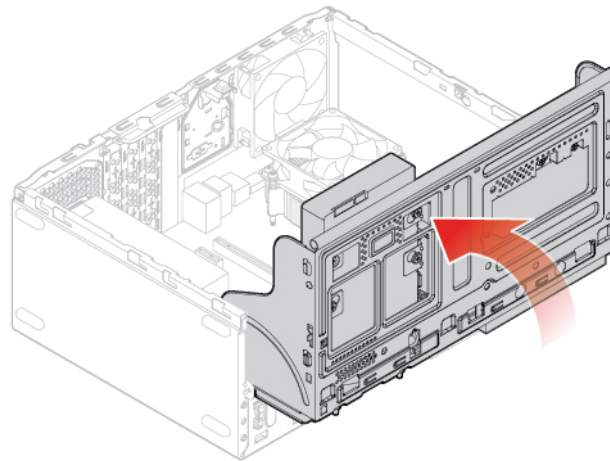


Figure 98. Closing the drive bay

5. Connect the new thermal sensor cable to the system board.
6. Complete the replacement. See “Completing the parts replacement” on page 74.

Replacing the front I/O bracket

Attention: Do not open your computer or attempt any repairs before reading the *Important Product Information Guide*.

1. Remove the computer cover. See “Removing the computer cover” on page 23.
2. Remove the front bezel. See “Replacing the front bezel” on page 23.
3. Disconnect the power button cable and the card reader cable from the system board.
4. Replace the front I/O bracket.

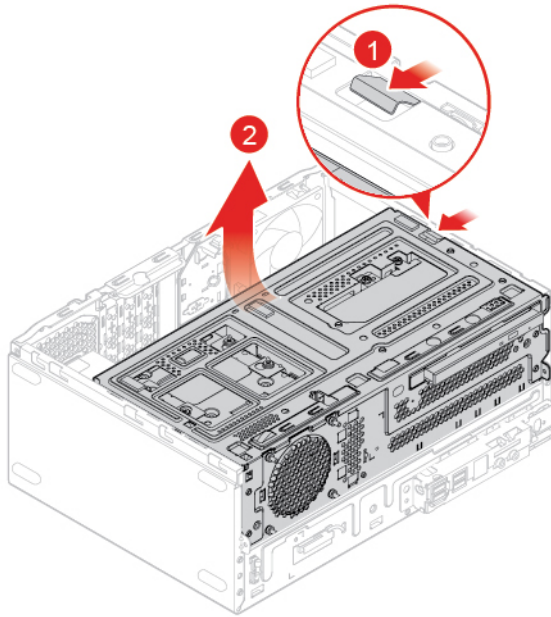


Figure 99. Opening the drive bay

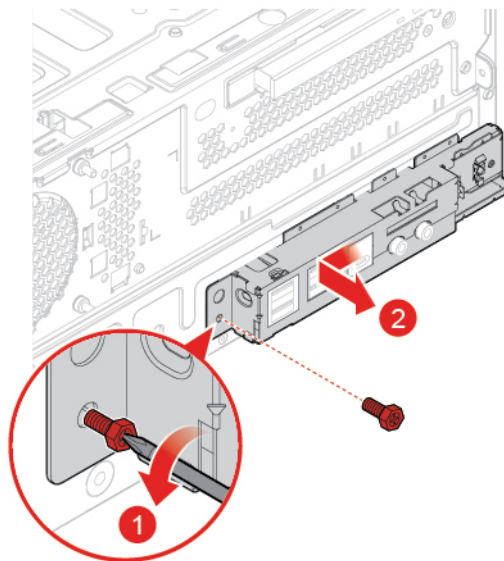


Figure 100. Removing the front I/O bracket

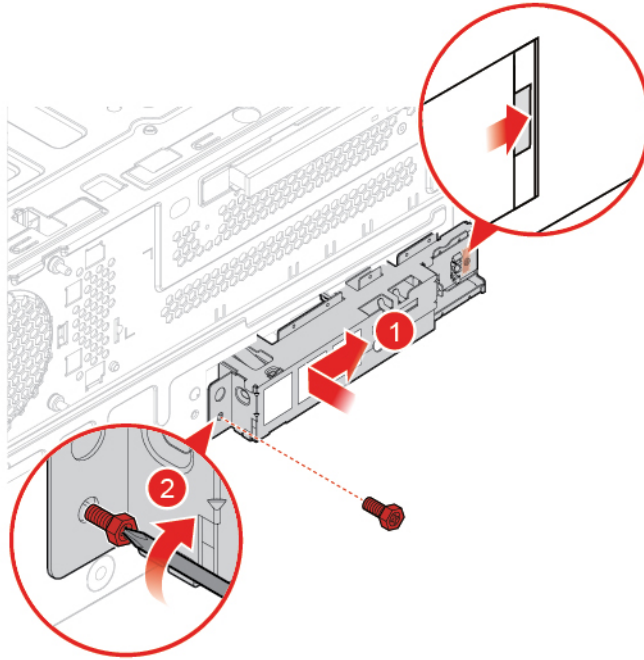


Figure 101. Installing the front I/O bracket

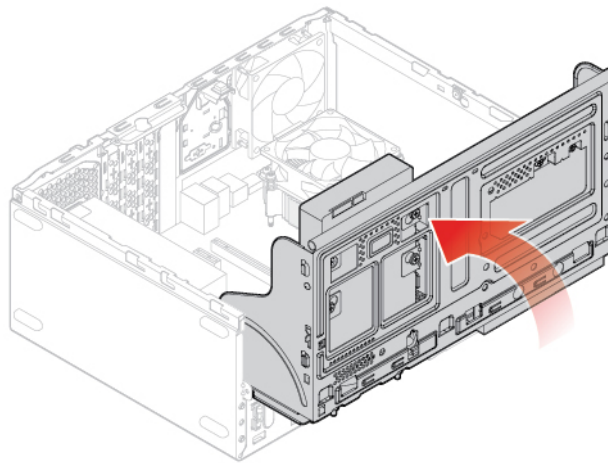


Figure 102. Closing the drive bay

5. Connect the power button cable and the card reader cable to the system board.
6. Close the drive bay.
7. Complete the replacement. See “Completing the parts replacement” on page 74.

Replacing the power button

Attention: Do not open your computer or attempt any repairs before reading the *Important Product Information Guide*.

1. Remove the computer cover. See “Removing the computer cover” on page 23.
2. Remove the front bezel. See “Replacing the front bezel” on page 23.
3. Remove the front I/O bracket. See “Replacing the front I/O bracket” on page 58.

4. Replace the power button.

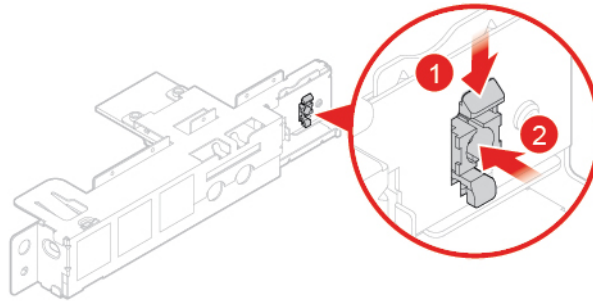


Figure 103. Removing the power button

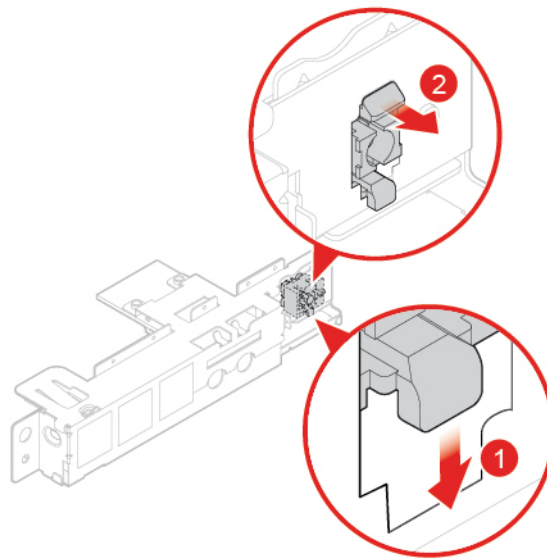


Figure 104. Installing the power button

5. Connect the power button cable to the system board.
6. Complete the replacement. See “Completing the parts replacement” on page 74.

Replacing the card reader board

Attention: Do not open your computer or attempt any repairs before reading the *Important Product Information Guide*.

1. Remove the computer cover. See “Removing the computer cover” on page 23.
2. Remove the front bezel. See “Replacing the front bezel” on page 23.
3. Remove the front I/O bracket. See “Replacing the front I/O bracket” on page 58.
4. Replace the card reader board.

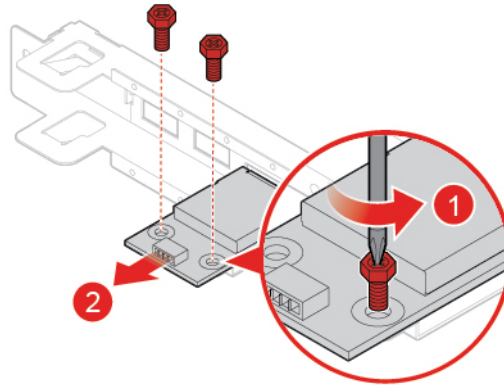


Figure 105. Removing the card reader board

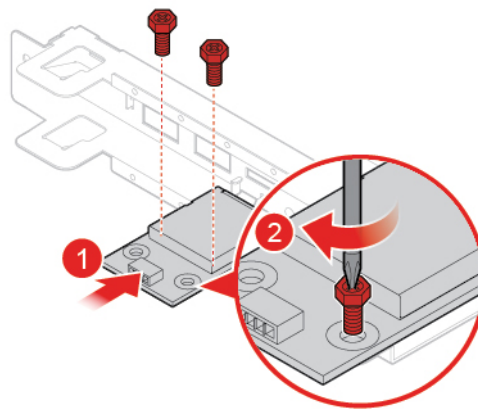


Figure 106. Installing the card reader board

5. Connect the card reader cable to the system board.
6. Complete the replacement. See “Completing the parts replacement” on page 74.

Replacing the heat sink and fan assembly

Attention: Do not open your computer or attempt any repairs before reading the *Important Product Information Guide*.

CAUTION:



The heat sink and fan assembly might be very hot. Turn off the computer and wait three to five minutes to let the computer cool before removing the computer cover.

1. Remove the computer cover. See “Removing the computer cover” on page 23.
2. Remove the front bezel. See “Replacing the front bezel” on page 23.
3. Disconnect the microprocessor fan cable from the system board.
4. Replace the heat sink and fan assembly.

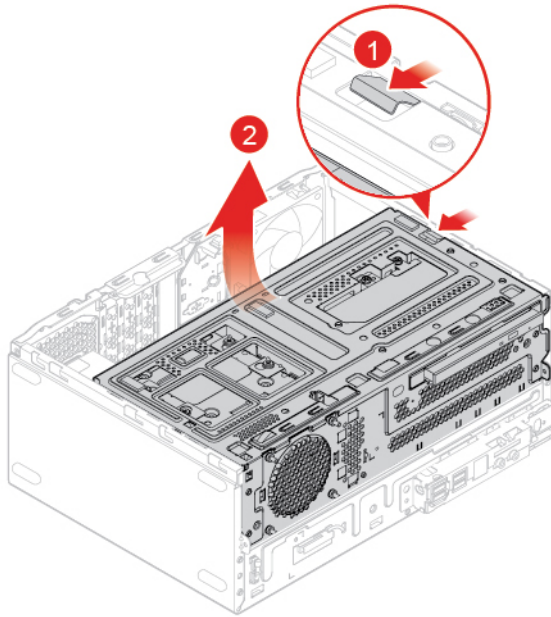


Figure 107. Opening the drive bay

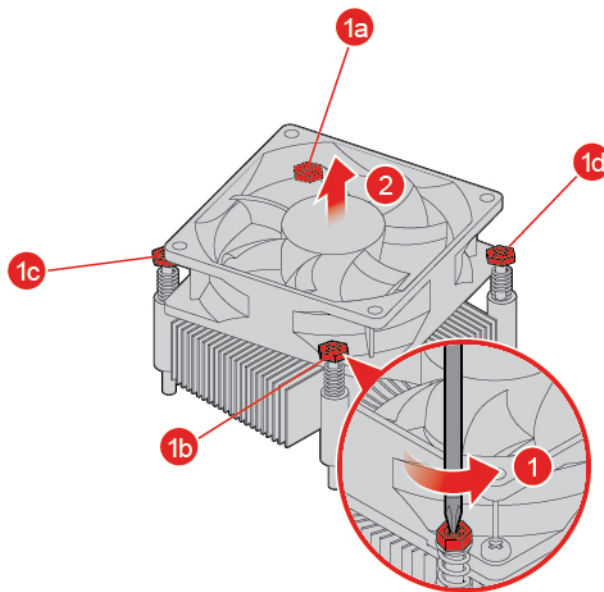


Figure 108. Removing the heat sink and fan assembly

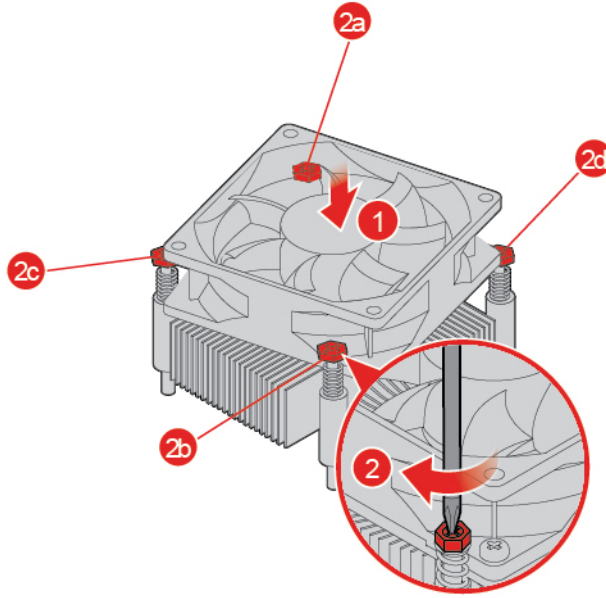


Figure 109. Installing the heat sink and fan assembly

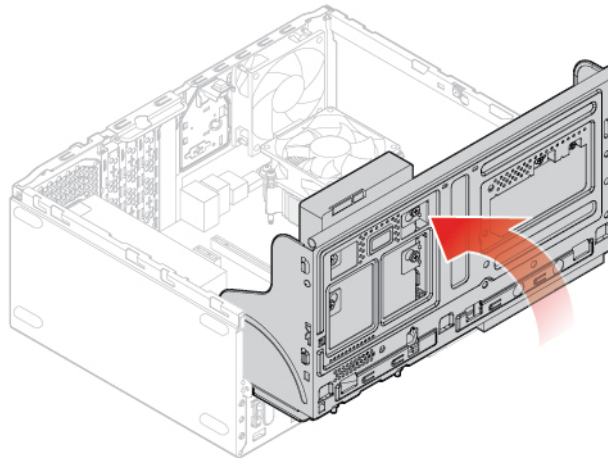


Figure 110. Closing the drive bay

5. Connect the microprocessor fan cable to the system board.
6. Complete the replacement. See “Completing the parts replacement” on page 74.

Replacing the microprocessor

Attention: Do not open your computer or attempt any repairs before reading the *Important Product Information Guide*.

CAUTION:



The heat sink and microprocessor might be very hot. Before you open the computer cover, turn off the computer and wait several minutes until the computer is cool.

1. Remove the computer cover. See “Removing the computer cover” on page 23.
2. Remove the front bezel. See “Replacing the front bezel” on page 23.

3. Remove the heat sink and fan assembly. See “Replacing the heat sink and fan assembly” on page 62.
4. Replace the microprocessor.

Notes:

- Your microprocessor and socket might look different from the one illustrated.
- Touch only the edges of the microprocessor. Do not touch the gold contacts on the bottom.
- Do not drop anything onto the microprocessor socket while it is exposed. The socket pins must be kept as clean as possible.

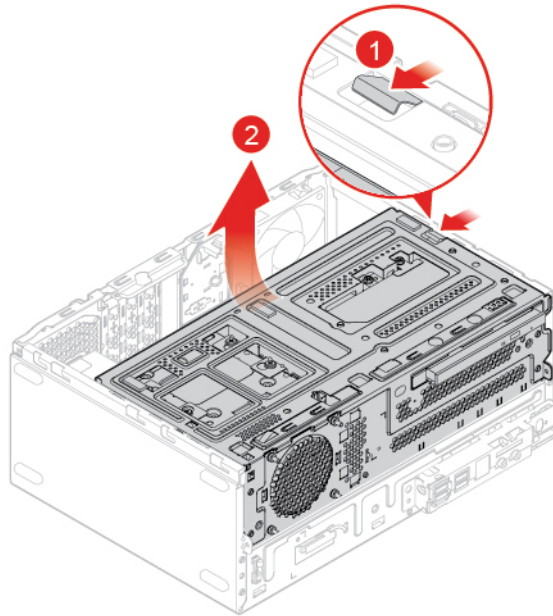


Figure 111. Opening the drive bay

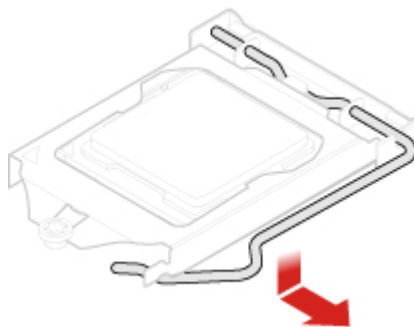


Figure 112. Unlocking the microprocessor socket retainer

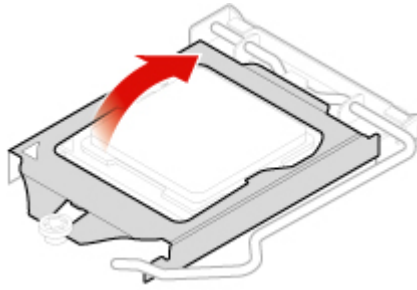


Figure 113. Pivoting the microprocessor socket upward



Figure 114. Removing the microprocessor

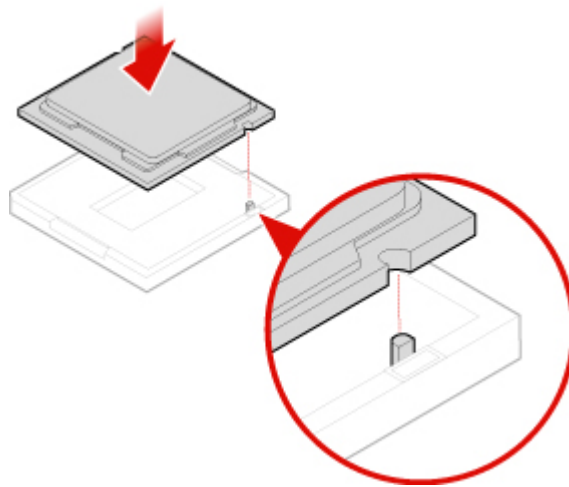


Figure 115. Installing the microprocessor

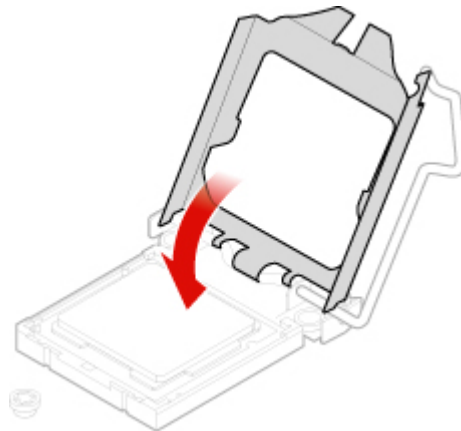


Figure 116. Pivoting the microprocessor socket downward

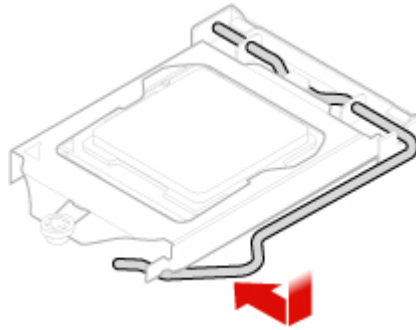


Figure 117. Locking the microprocessor socket retainer

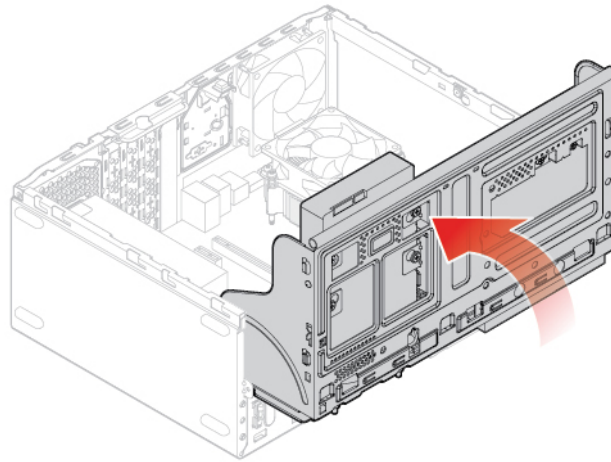


Figure 118. Closing the drive bay

5. Complete the replacement. See “Completing the parts replacement” on page 74.

Replacing the coin-cell battery

Attention: Do not open your computer or attempt any repairs before reading the *Important Product Information Guide*.

Note: Your computer has a special type of memory that maintains the date, time, and settings for built-in features, such as parallel connector assignments (configurations). A coin-cell battery keeps this information active when you turn off the computer.

The coin-cell battery normally requires no charging or maintenance throughout its life; however, no coin-cell battery lasts forever. If the coin-cell battery fails, the date, time, and configuration information (including passwords) are lost. An error message is displayed when you turn on the computer.

To dispose of the coin-cell battery, refer to the “Lithium coin-cell battery notice” topic in the *Safety and Warranty Guide*.

To replace the coin-cell battery,

1. Remove the computer cover. See “Removing the computer cover” on page 23.
2. Remove the front bezel. See “Replacing the front bezel” on page 23.
3. Replace the coin-cell battery.

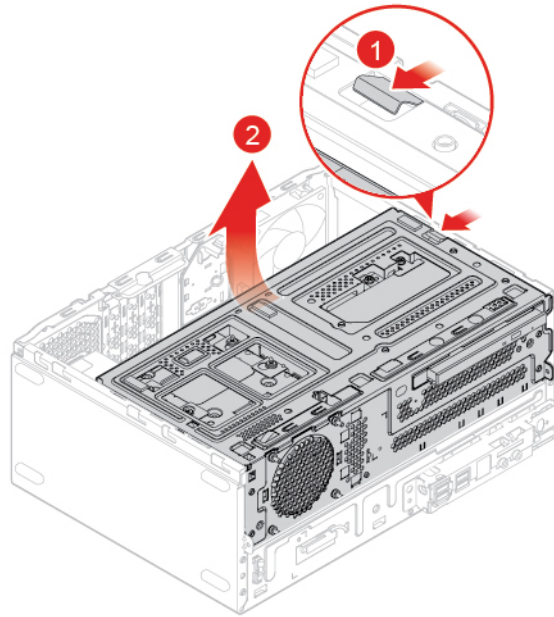


Figure 119. Opening the drive bay

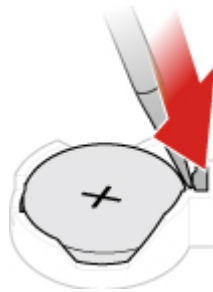


Figure 120. Pressing the metallic tab using a driver

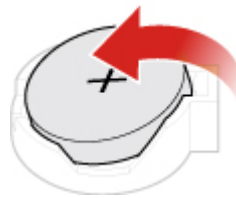


Figure 121. Removing the coin-cell battery



Figure 122. Placing the coin-cell battery

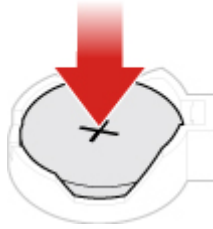


Figure 123. Pressing the coin-cell battery downward until it is fully engaged with a click

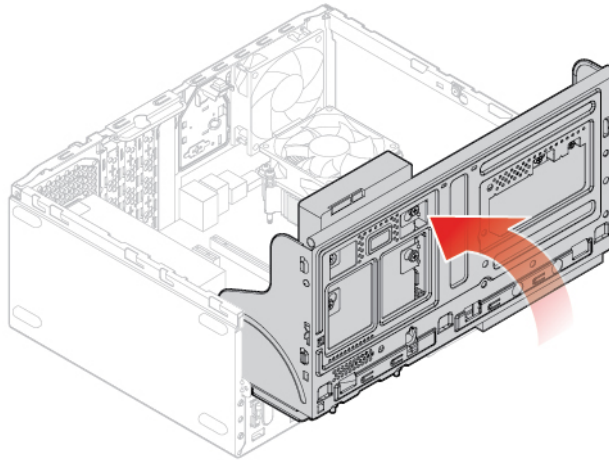


Figure 124. Closing the drive bay

4. Complete the replacement. See “Completing the parts replacement” on page 74.

To dispose of the coin-cell battery, refer to the “Lithium coin-cell battery notice” topic in the *Safety and Warranty Guide*.

Replacing the E-lock

Attention: Do not open your computer or attempt any repairs before reading the *Important Product Information Guide*.

Note: To remove the screws, you need a special tool (T15 star wrench).

1. Remove the computer cover. See “Removing the computer cover” on page 23.
2. Disconnect the E-lock cable from the system board.
3. Replace the E-lock.

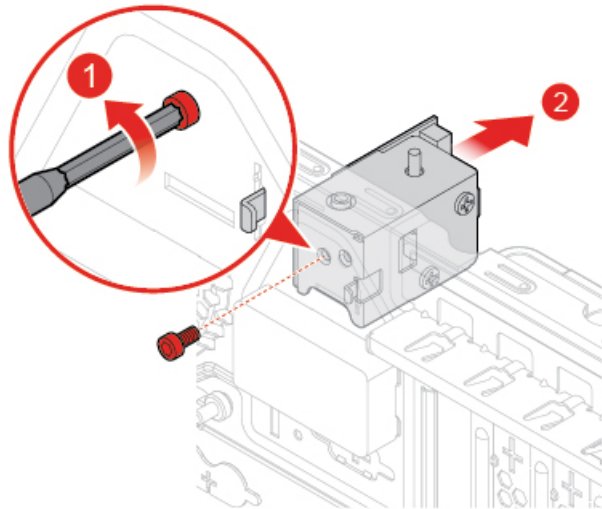


Figure 125. Removing the E-lock

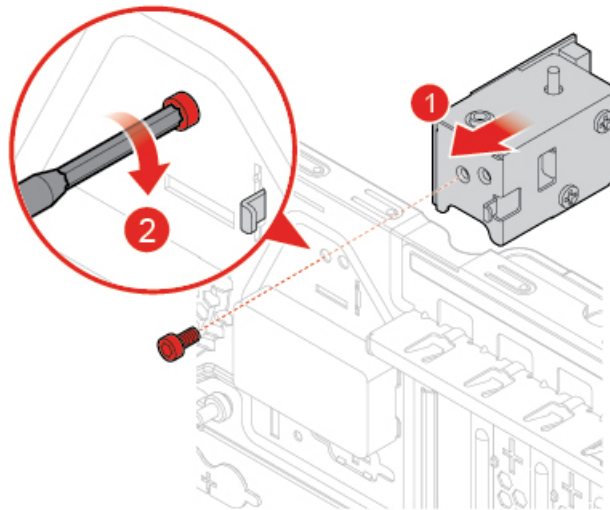


Figure 126. Installing the E-lock

4. Connect the E-lock cable to the system board.
5. Complete the replacement. See “Completing the parts replacement” on page 74.

Replacing the cover presence switch

Attention: Do not open your computer or attempt any repairs before reading the *Important Product Information Guide*.

1. Remove the computer cover. See “Removing the computer cover” on page 23.
2. Disconnect the cover presence switch cable from the system board.
3. Refer to one of the following to replace the cover presence switch.
 - For models with E-lock installed:

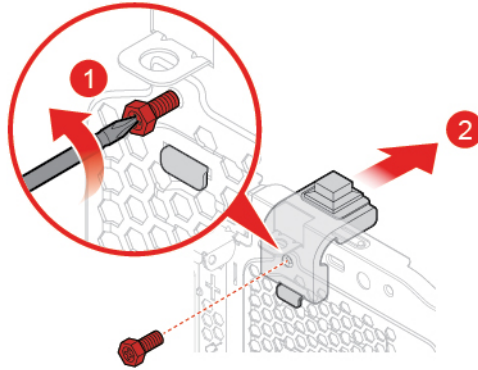


Figure 127. Removing the cover presence switch

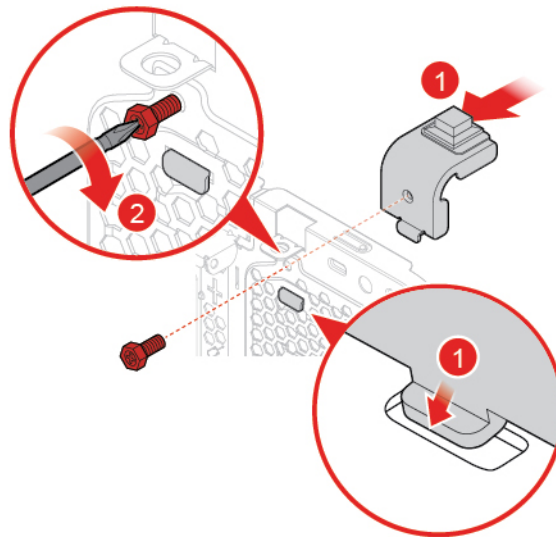


Figure 128. Installing the cover presence switch

- For models without E-lock installed:

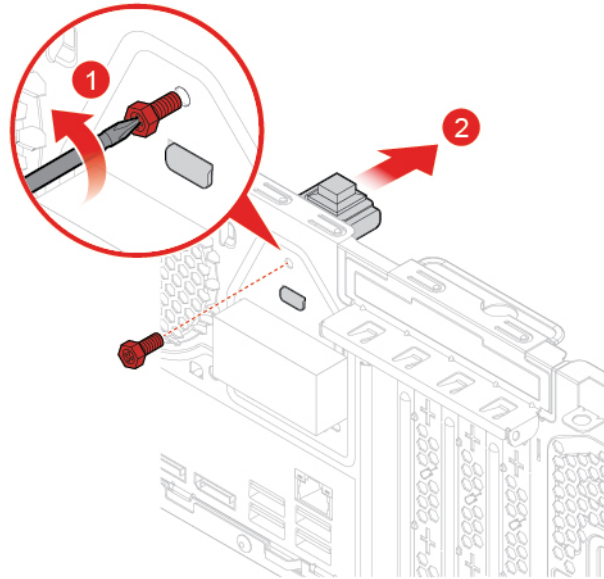


Figure 129. Removing the cover presence switch

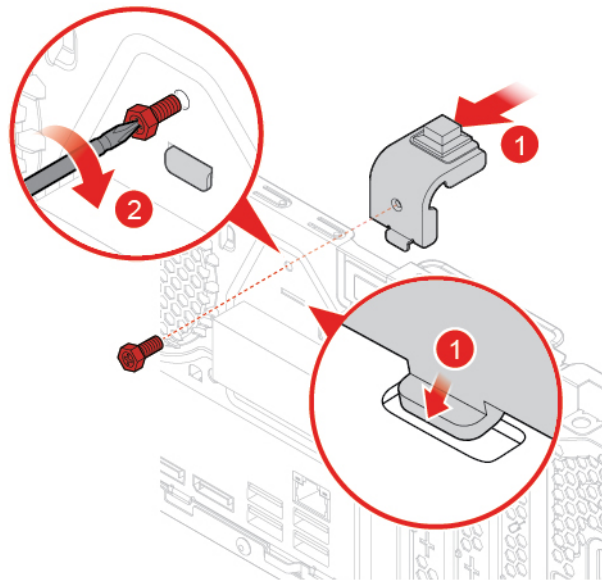


Figure 130. Installing the cover presence switch

4. Connect the new cover presence switch cable to the system board.
5. Complete the replacement. See “Completing the parts replacement” on page 74.

Replacing the rear fan

Attention: Do not open your computer or attempt any repairs before reading the *Important Product Information Guide*.

1. Remove the computer cover. See “Removing the computer cover” on page 23.
2. Disconnect the rear fan cable from the system board.

3. Replace the rear fan.

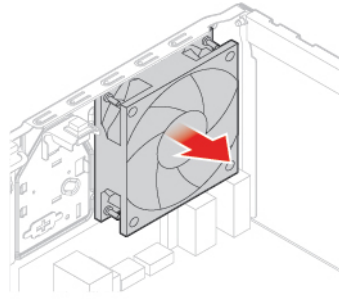


Figure 131. Removing the rear fan

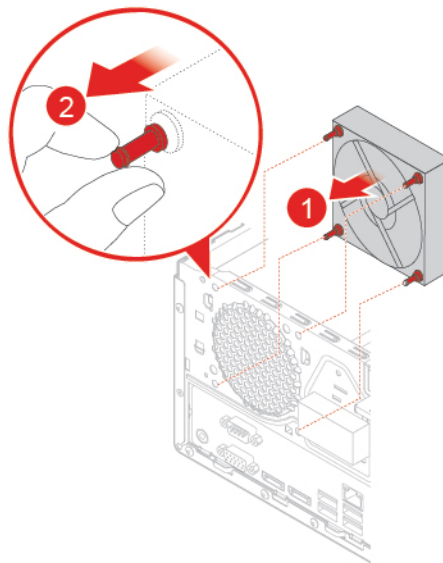


Figure 132. Installing the rear fan

4. Connect the rear fan cable to the system board.
5. Complete the replacement. See “Completing the parts replacement” on page 74.

Replacing the system board

Attention: Do not open your computer or attempt any repairs before reading the *Important Product Information Guide*.

1. Remove the computer cover. See “Removing the computer cover” on page 23.
2. Remove the front bezel. See “Replacing the front bezel” on page 23.
3. Remove the front I/O bracket. See “Replacing the front I/O bracket” on page 58.
4. Remove all memory modules. See “Replacing a memory module” on page 31.
5. Remove the heat sink and fan assembly. See “Replacing the heat sink and fan assembly” on page 62.
6. Remove the microprocessor. See “Replacing the microprocessor” on page 64.
7. Remove all PCI Express cards. See “Replacing a PCI Express card” on page 34.
8. Remove the Wi-Fi card. See “Replacing the Wi-Fi card” on page 36.
9. Remove the M.2 solid-state drive. See “Replacing the M.2 solid-state drive” on page 38.

10. Record the cable routing and cable connections, and then disconnect all cables from the system board. See “System board” on page 5.
11. Replace the system board.

Note: Carefully handle the system board by its edges.

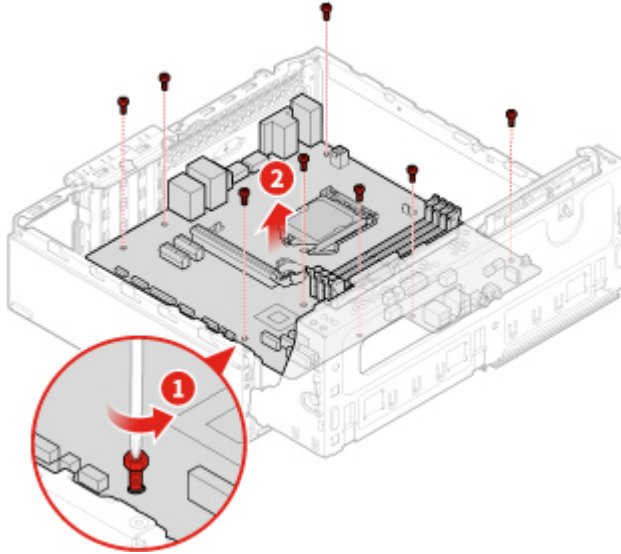


Figure 133. Removing the system board

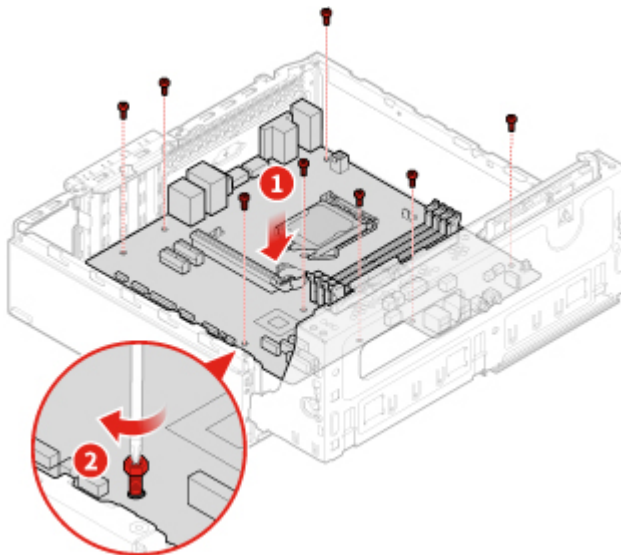


Figure 134. Installing the system board

12. Route all the cables that you disconnected from the failing system board, and then reconnect the cables to the new system board.
13. Complete the replacement. See “Completing the parts replacement” on page 74.

Completing the parts replacement

After completing the installation or replacement for all parts, reinstall the computer cover and reconnect the cables.

To reinstall the computer cover and reconnect the cables to your computer, do the following:

1. Ensure that all components have been reassembled correctly and that no tools or loose screws are left inside your computer.
2. Ensure that the cables are routed correctly before reinstalling the computer cover. Keep cables clear of the hinges and sides of the computer chassis to avoid interference when reinstalling the computer cover.
3. Reinstall the computer cover.

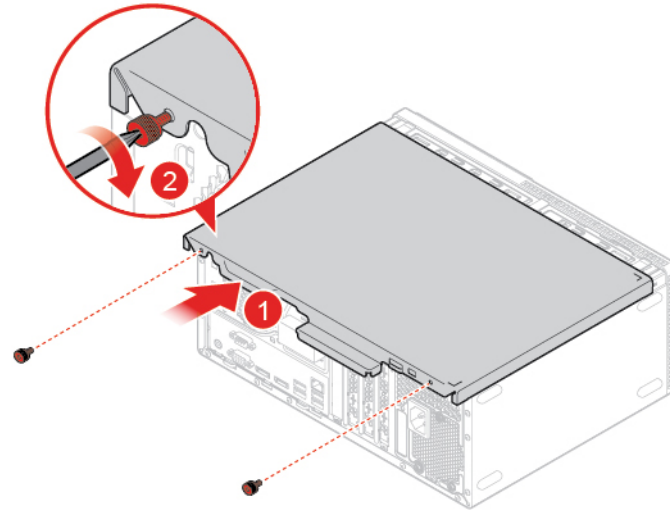


Figure 135. Reinstalling the computer cover

4. Place the computer in an upright position.
5. If a locking device is available, use it to lock the computer.
6. Reconnect the external cables and power cords to the corresponding connectors on the computer.

Appendix A. Notices

Lenovo may not offer the products, services, or features discussed in this document in all countries. Consult your local Lenovo representative for information on the products and services currently available in your area. Any reference to a Lenovo product, program, or service is not intended to state or imply that only that Lenovo product, program, or service may be used. Any functionally equivalent product, program, or service that does not infringe any Lenovo intellectual property right may be used instead. However, it is the user's responsibility to evaluate and verify the operation of any other product, program, or service.

Lenovo may have patents or pending patent applications covering subject matter described in this document. The furnishing of this document does not give you any license to these patents. You can send license inquiries, in writing, to:

*Lenovo (United States), Inc.
1009 Think Place - Building One
Morrisville, NC 27560
U.S.A.
Attention: Lenovo Director of Licensing*

LENOVO PROVIDES THIS PUBLICATION "AS IS" WITHOUT WARRANTY OF ANY KIND, EITHER EXPRESS OR IMPLIED, INCLUDING, BUT NOT LIMITED TO, THE IMPLIED WARRANTIES OF NON-INFRINGEMENT, MERCHANTABILITY OR FITNESS FOR A PARTICULAR PURPOSE. Some jurisdictions do not allow disclaimer of express or implied warranties in certain transactions, therefore, this statement may not apply to you.

This information could include technical inaccuracies or typographical errors. Changes are periodically made to the information herein; these changes will be incorporated in new editions of the publication. Lenovo may make improvements and/or changes in the products and/or the programs described in this publication at any time without notice.

The products described in this document are not intended for use in implantation or other life support applications where malfunction may result in injury or death to persons. The information contained in this document does not affect or change Lenovo product specifications or warranties. Nothing in this document shall operate as an express or implied license or indemnity under the intellectual property rights of Lenovo or third parties. All information contained in this document was obtained in specific environments and is presented as an illustration. The result obtained in other operating environments may vary.

Lenovo may use or distribute any of the information you supply in any way it believes appropriate without incurring any obligation to you.

Any references in this publication to non-Lenovo Web sites are provided for convenience only and do not in any manner serve as an endorsement of those Web sites. The materials at those Web sites are not part of the materials for this Lenovo product, and use of those Web sites is at your own risk.

Any performance data contained herein was determined in a controlled environment. Therefore, the result obtained in other operating environments may vary significantly. Some measurements may have been made on development-level systems and there is no guarantee that these measurements will be the same on generally available systems. Furthermore, some measurements may have been estimated through extrapolation. Actual results may vary. Users of this document should verify the applicable data for their specific environment.

Appendix B. Trademarks

The following terms are trademarks of Lenovo in the United States, other countries, or both:

- Lenovo
- The Lenovo logo
- ThinkCentre
- The ThinkCentre logo

DisplayPort is a trademark of the Video Electronics Standards Association.

Other company, product, or service names may be trademarks or service marks of others.

