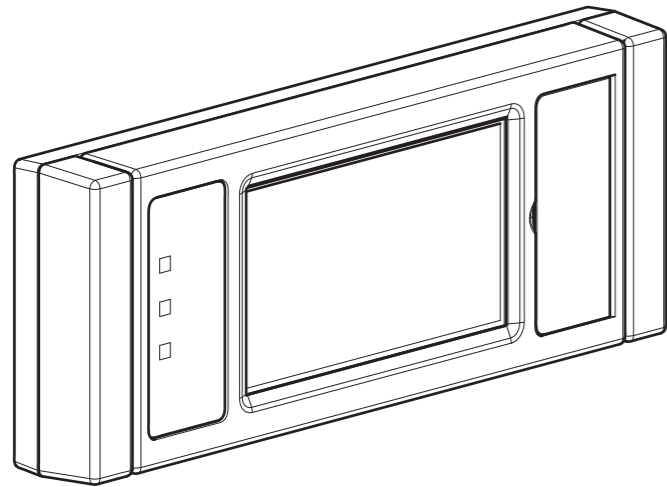


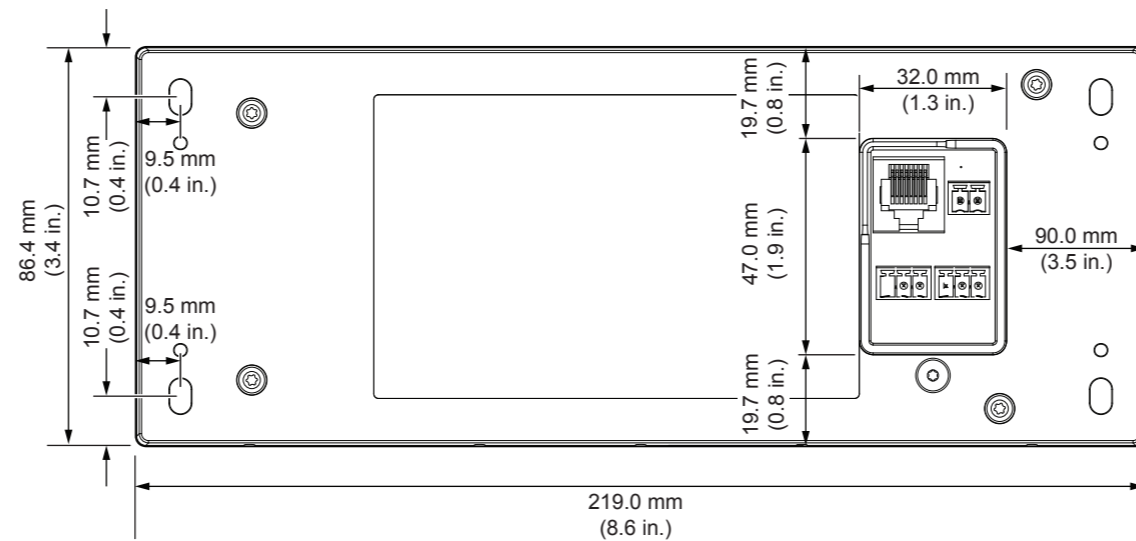
Remote Display Interface

Installation Sheet

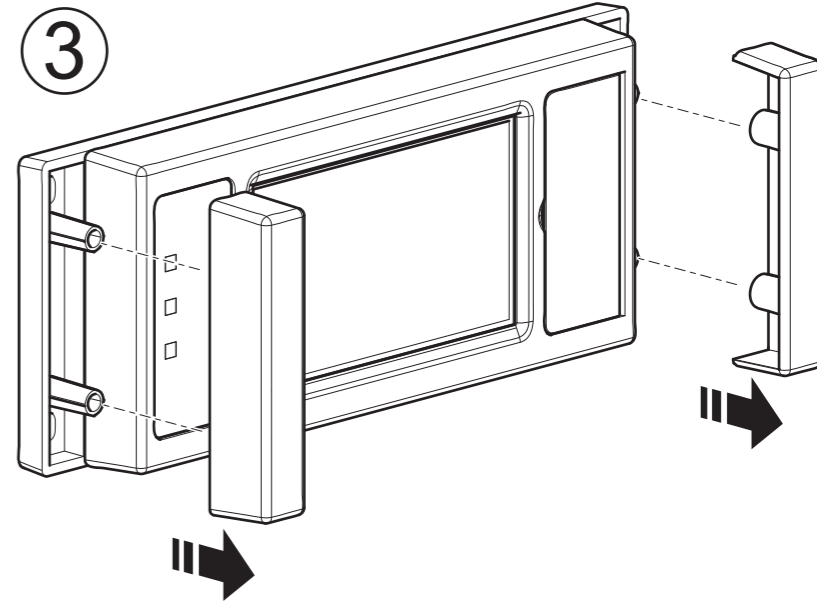
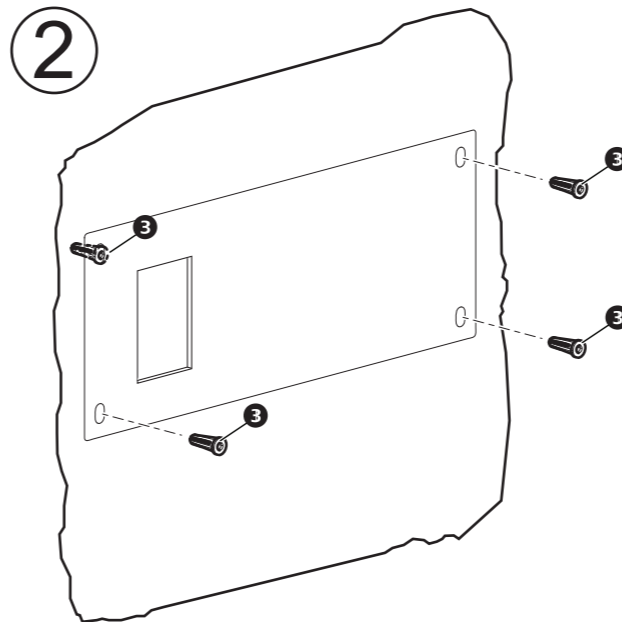
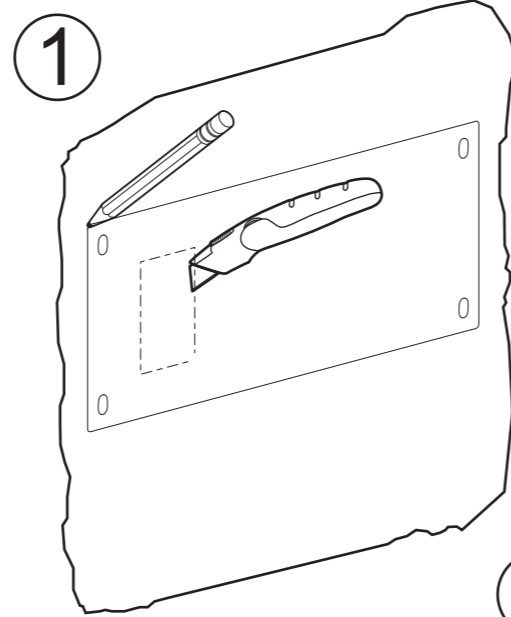
SPRD100



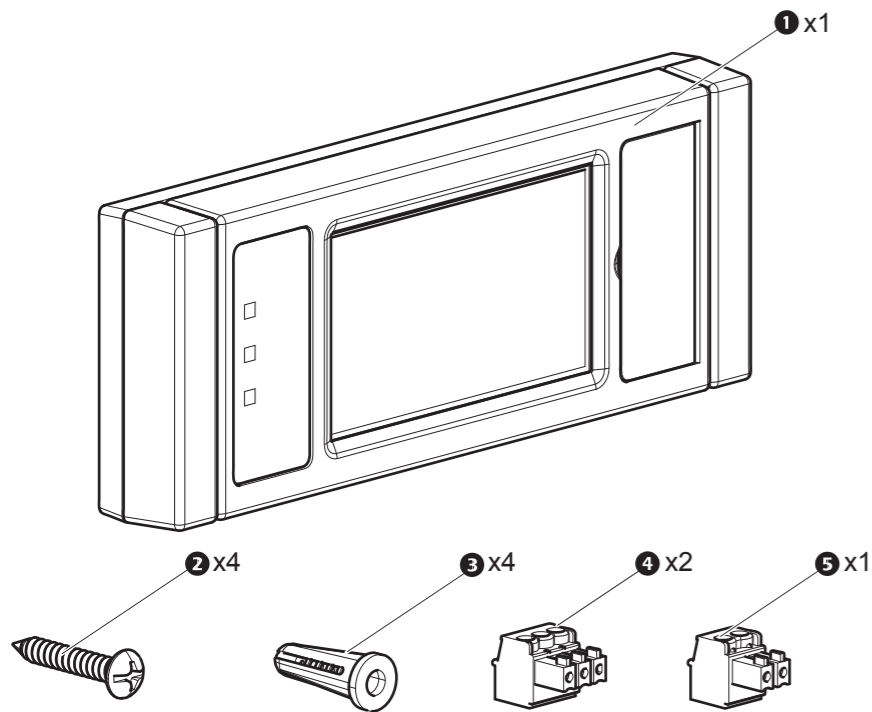
Dimensions



Installation



Inventory

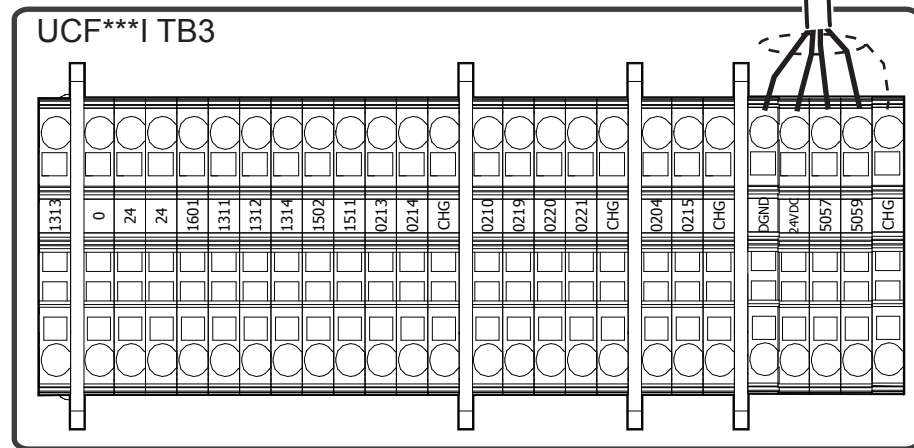
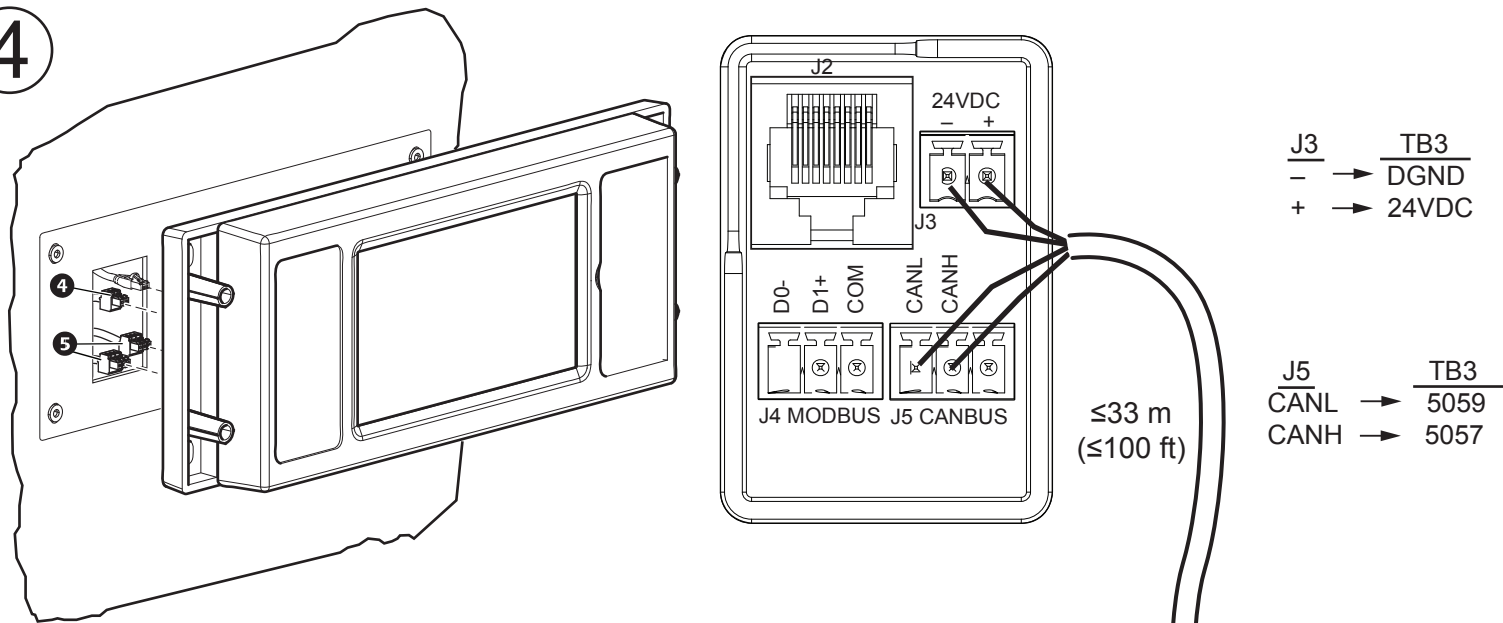


10/2018

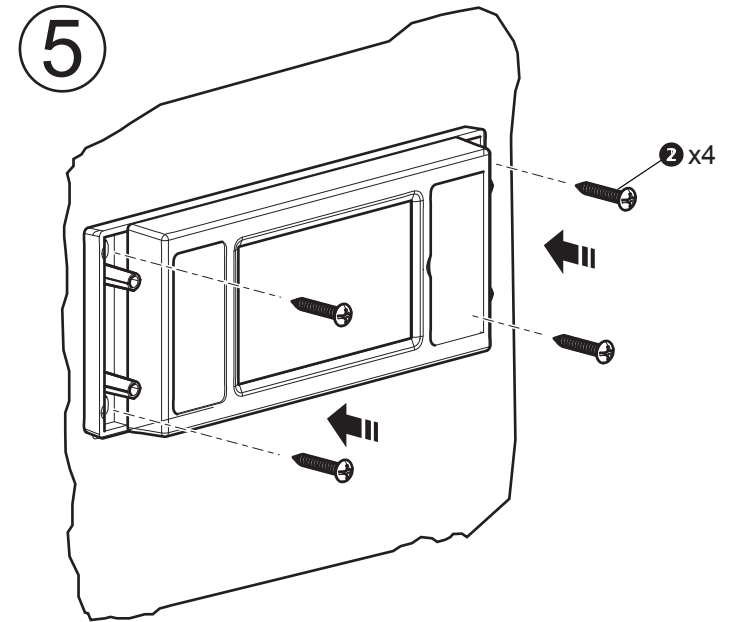
990-6080-001

As standards, specifications, and designs change from time to time, please ask for confirmation of the information given in this publication.
© 2018 Schneider Electric. All Rights Reserved.
Unfair and the Schneider Electric logo are trademarks owned by Schneider Electric Industries S.A.S., or its affiliated companies.
All other trademarks are the property of their respective owners.

4



5



6

