

# INSTALLATION INSTRUCTIONS

## C-DMM-3015 Flip up Dash Monitor Mount

### 2020 Ford Interceptor Utility

*This mount is designed to attach to Havis vehicle specific consoles. Other consoles may require modification.*

**TOOLS REQUIRED:**

- Ratchet Wrench
- Socket Set
- 7/16" Open End Wrench
- Phillips Screwdriver (short)
- Dash panel removal tool
- Wire strippers/cutters

**HARDWARE and PARTS:**

<u>QTY</u>	<u>DESCRIPTION</u>	<u>PART#</u>
1	Main upper mounting tray	CM009883
1	Lower mounting support arm with stop	CM009809
1	Lower mounting foot	CM010066
1	VESA rotator plate	CM009068
1	PVC washer	CM008582
2	1/4" Nylock nut	GSM30016
2	1/4" Plastic flat washer	CM86600
2	1/4" Steel flat washer	GSM31005
2	10-32 x 3/4" Flat head screw	GSM33383
4	1/4" Serrated nut	GSM30023
5	10-32 Keps nut	GSM30028
2	#10 Flat washer	GSM31003
2	1/4" x 1/2" Carriage bolt	GSM31999
3	10-32 x 1/2" Phillips machine screws	GSM33118
2	M5 x 30mm Machine screw	GSM33792
2	1/4" plastic spacer	GSM34616

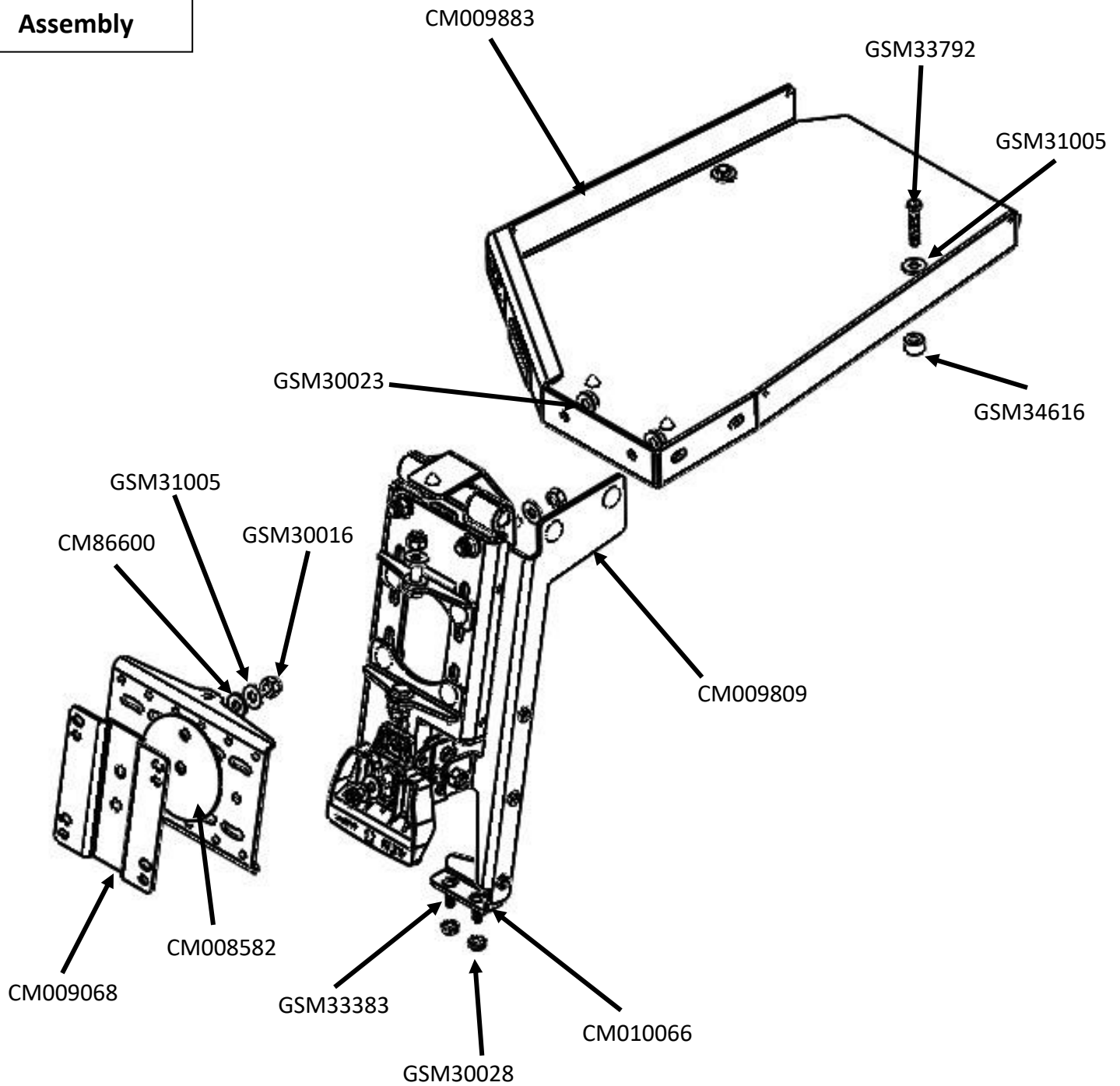
**Notes:**

1. The C-DMM-3000 swivel plate accepts C-MM-301 offset bracket used with C-MM-2XX adaptors.
2. C-MM-2XX series adaptor brackets are not needed for most VESA 75 and other Havis Docking Station mounting applications.
3. CM009068 VESA rotator plate gives additional positioning options, but is not required depending on mounting preference.

**ALWAYS!**

- Read all instructions before installing any Havis, Inc products.
  - Use hardware provided with install kit

**C-DMM-3015  
Assembly**



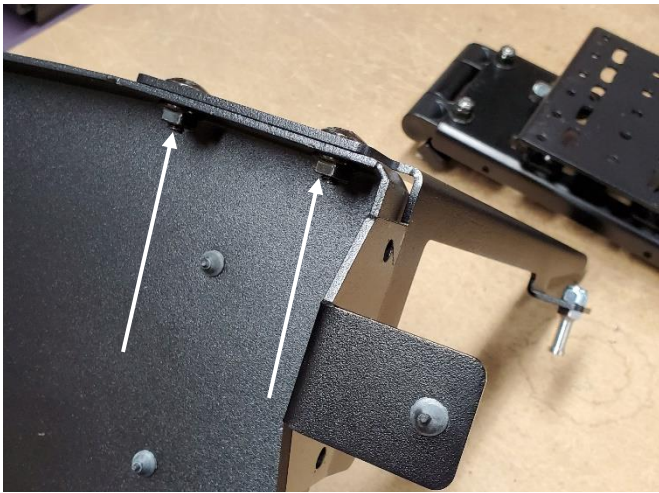
*If no console is being installed, C-DMM-KIT-3015 will be required.*



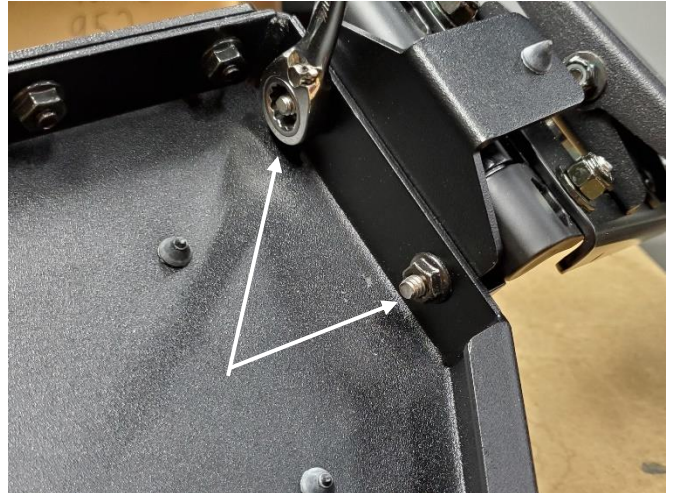
View of Interceptor Utility dash before installation



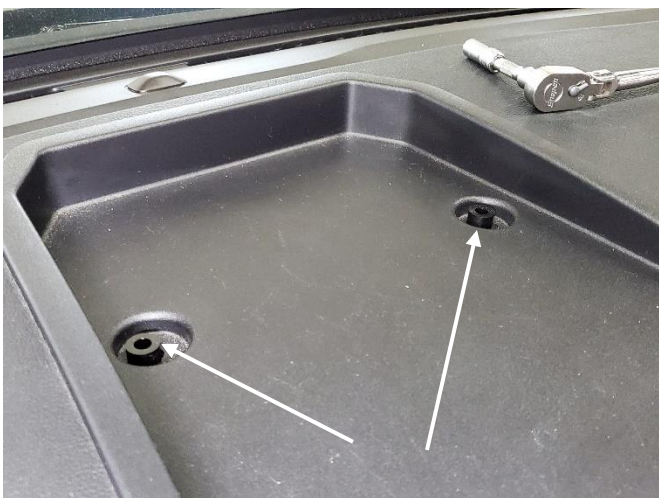
The C-DMM-3015 will need to be assembled when removed from shipping box.



Attach lower mounting support arm to main tray using 1/4" x 1/2" carriage bolts and serrated nuts.



Attach hinge assembly to main tray using 1/4" serrated nuts.



Remove OEM fasteners from upper dash pocket.  
Place plastic spacers over openings.  
(7mm socket)



Place DMM tray assembly into OEM plastic tray and attach using M5 x 30mm bolts and 1/4" washers.  
(8mm socket)



Place lower mounting foot studs through holes on top of Havis console. Attach using 10-32 nylock nuts and flat washers. For non-Havis consoles, holes will have to be drilled. Use Havis optional # C-DMM-KIT-3015 if mounting to OEM tunnel plate.



Attach lower mounting foot to lower mounting support arm using 10-32 x 1/2" screws and keps nuts.



Attach VESA plate to the back of the dock. The gray nylon washer will go between this bracket and the DMM swivel plate.



Determine desired position for your specific computer and attach to DMM swivel plate using 1/4" nylon washers, steel washers, and nylock nuts. Tighten so that the dock rotates smoothly. (Firm, but not too tight)



Route wiring along the side of the DMM flip up frame using existing holes and wire ties. Test up / down and side to side motion to confirm wires have adequate slack and strain relief.



Dock the computer and test. Installation is now complete.