

EN Read the entire instruction manual before you start installation and assembly. If you have any questions regarding any of the instructions or warnings, please contact Monoprice Customer Support.

**CAUTION:** Use with products heavier than the rated weights indicated may result in instability causing possible injury.

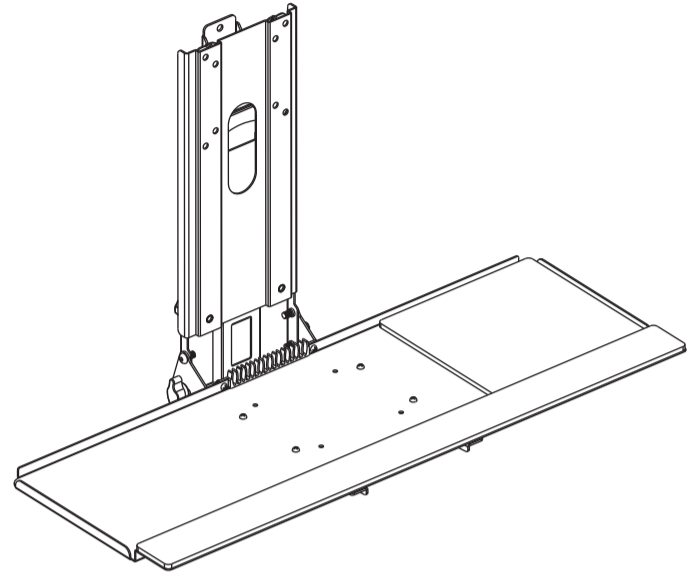
- Mounts must be attached as specified in assembly instructions. Improper installation may result in damage or serious personal injury.
- The product should be assembled and installed using the proper tools and by following this manual.
- Make sure that the supporting surface will safely support the combined weight of the equipment and all attached hardware and components.
- Use the mounting screws provided and DO NOT OVER TIGHTEN mounting screws.
- This product contains small items that could be a choking hazard if swallowed. Keep these items away from children.

**IMPORTANT:** Ensure that you have received all parts according to the component checklist prior to installation. If any parts are missing or faulty, call Monoprice Customer Support.

**MAINTENANCE:** Check that the bracket is secure and safe to use at regular intervals (at least every three months).



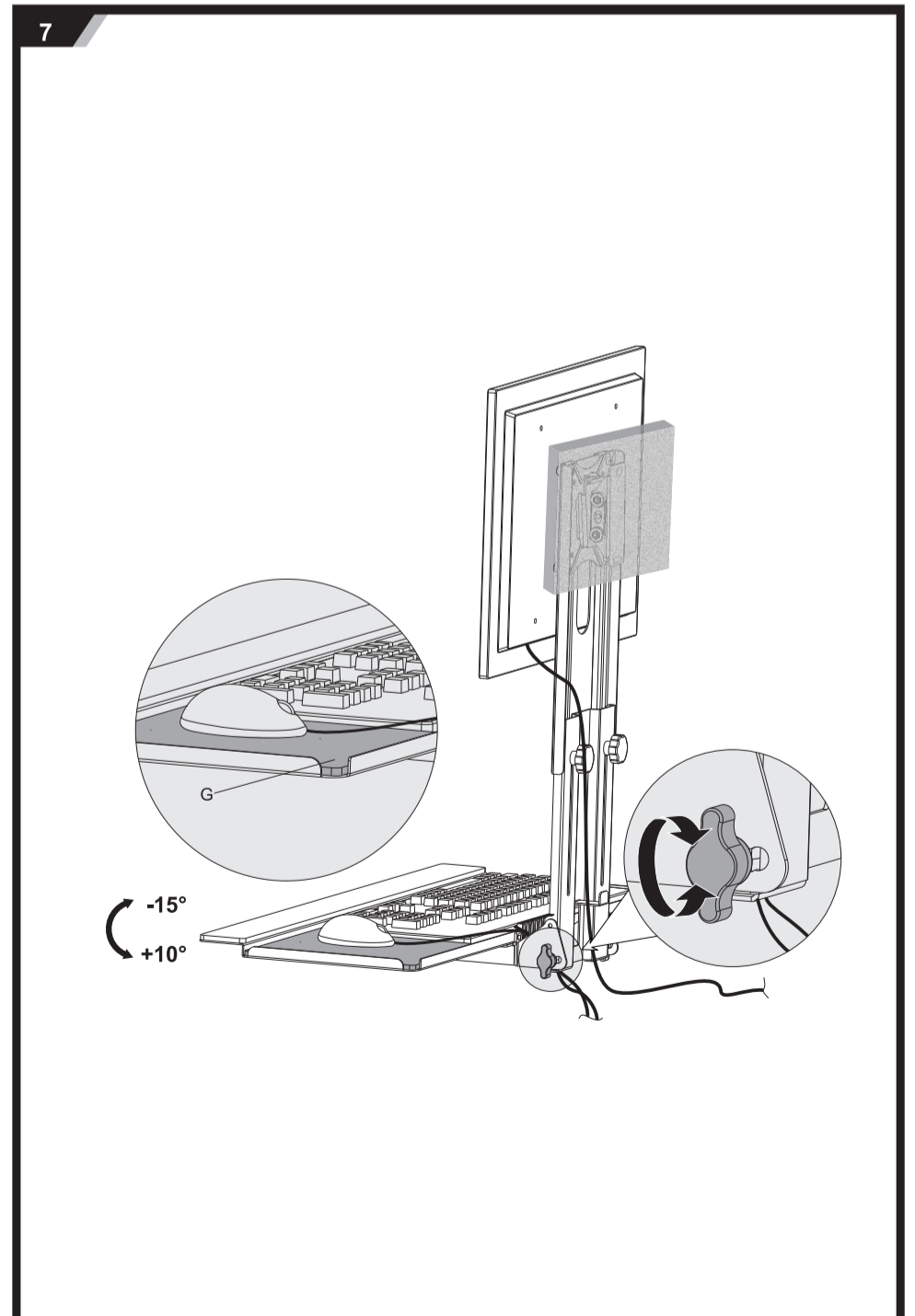
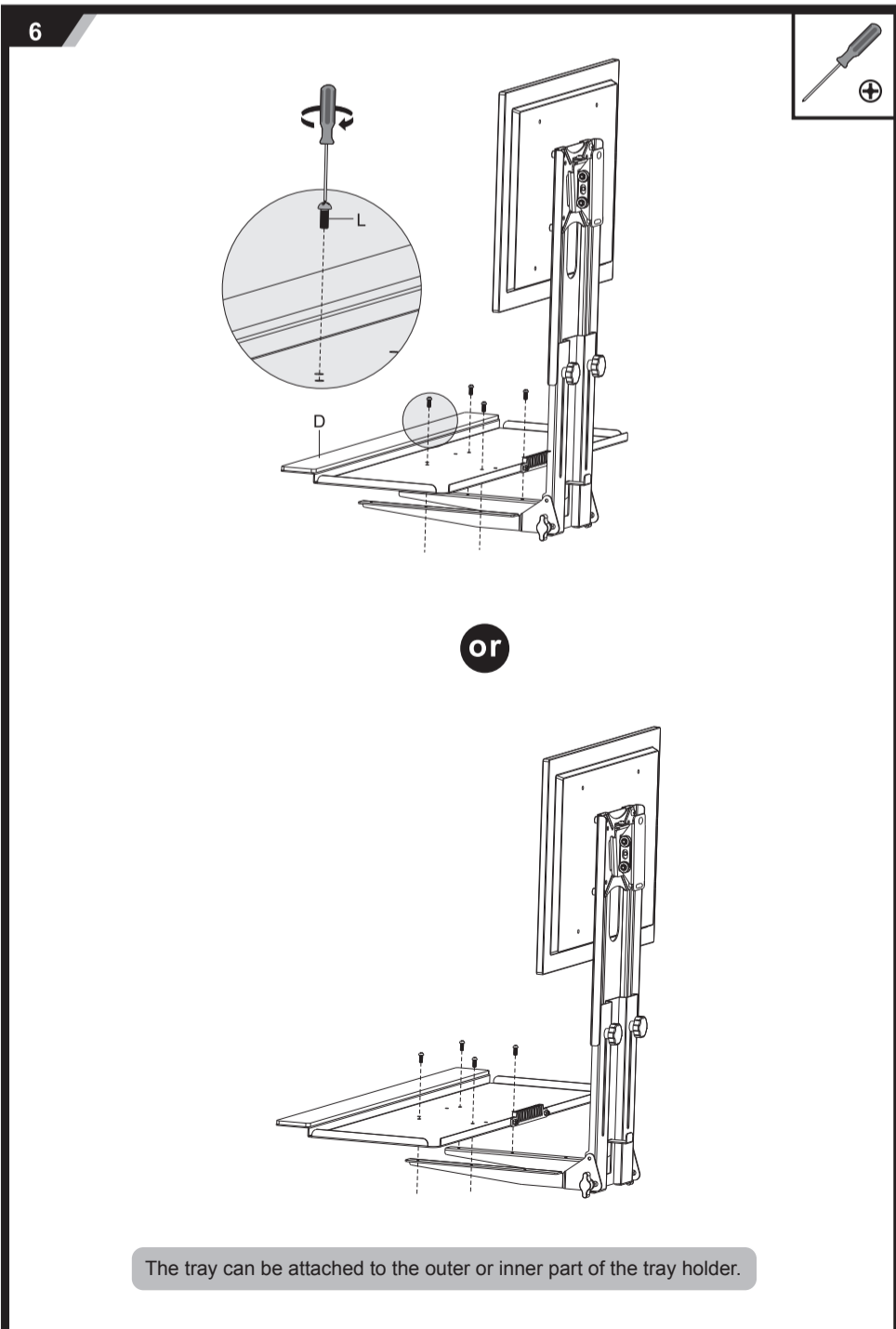
## Workstation Wall Mount for Keyboard and Monitor



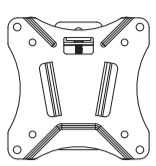
User's Guide  
P/N **34543**



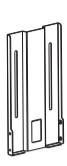
75x75/100x100



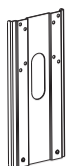
**!** Use appropriate wall anchors and mounting hardware rated for your application materials and weight if not installing on a concrete wall with included hardware.



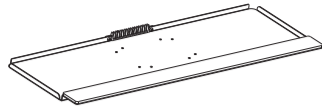
A (x1)



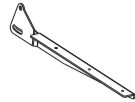
B (x1)



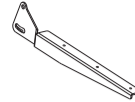
C (x1)



D (x1)



E (x1)



F (x1)



G (x1)



H (x2)



I (x2)



J (x2)



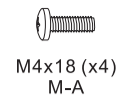
K (x2)



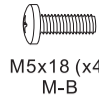
L (x4)



4mm (x1)  
M



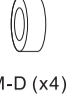
M4x18 (x4)  
M-A



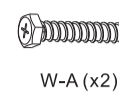
M5x18 (x4)  
M-B



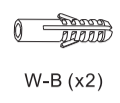
D5 (x4)  
M-C



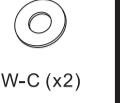
M-D (x4)



W-A (x2)



W-B (x2)



W-C (x2)

