

WIREMOLD



Walkerduct Pro Series Round Flush Cover Plates

INSTALLATION INSTRUCTIONS

Installation Instruction No.: 1 002 970R1 – Updated May 2009

Wiremold/Legrand electrical systems conform to and should be properly grounded in compliance with requirements of the current National Electrical Code or codes administered by local authorities.

All electrical products may present a possible shock or fire hazard if improperly installed or used. Wiremold/Legrand electrical products may bear the mark as UL Listed and/or Classified and should be installed in conformance with current local and/or the National Electrical Code.

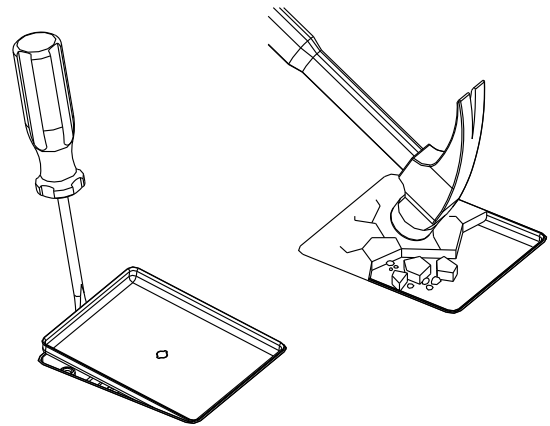
IMPORTANT: Please read all instructions before beginning.

Products Covered: PSRC9TC, PSRC9AMDTC, PSRC9AMDR TTC, PSRC9FFTC, & PSRC9FF2TC

CAUTION: Do not operate tile stripper or resurfacing equipment over top of covers. This may result in damage to the finish of the product.

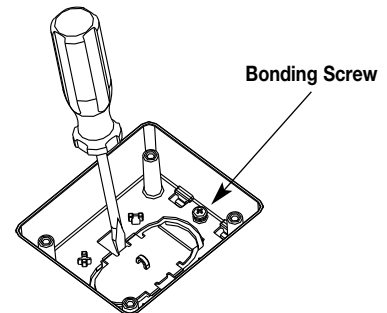
PRESET LOCATION:

1. Determine location of preset cover by measuring (when layout is known) or by using an electronic preset finder (Cat. No. 480). Cut and remove carpeting or tile over preset. Carpet may be saved for later abandoning.
2. Using a hammer, chip out the concrete from the mud cap cover.
3. Strike the edge of the exposed mud cap with a blade type screwdriver to deflect the cap inward.
4. Insert the screwdriver along the edge of the preset and pry up removing the cap.
5. Remove any debris that may have fallen into the preset opening.
6. Grout around preset opening if concrete does not break away cleanly.



PRESET PREPARATION:

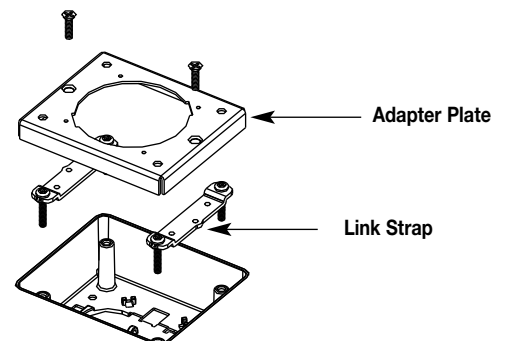
1. Insert a wire hook into the arched opening to prevent the knockout from falling into the duct.
2. Push screwdriver toward center of the preset, breaking the tabs to release the knock-out.
3. De-burr the edges after knock-out removal.
4. Tighten the bonding screw in the base of the preset.



COVER ADAPTER INSTALLATION:

1. Install Link Strap to posts in preset as shown. Heads of screws should be slightly below concrete pour level.
2. Position Adapter Plate over Link Straps as shown.
3. Adjust Link Strap Screws until the adapter plate is flush with finished floor.
4. Secure Adapter Plate to Link Straps using (2) #10 x 3/4" flat head screws.

NOTE: To maintain proper ground continuity, tighten screws to minimum 10 inch pounds.



QUAD RECEPTACLE INSTALLATION: (2" [51mm] min. preset depth)

1. Pull conductors through the adapter plate and wire to the receptacle leads.
2. Line up the receptacle strap with the notches in the adapter plate and secure with (2) #6-32 flat head screws.

CONVENTIONAL WIRING SCHEMATIC		ISOLATED GROUND WIRING SCHEMATIC	
BLACK or HOT From branch circuit	BLACK from receptacle	BLACK or HOT From branch circuit	BLACK from receptacle
WHITE or NEUTRAL From branch circuit	WHITE from receptacle	WHITE or NEUTRAL From branch circuit	WHITE from receptacle
GREEN or GROUND From branch circuit	GREEN from receptacle	GREEN or GROUND From branch circuit	GREEN from receptacle
	System Ground		

CAUTION: Receptacle mounting means not grounded. Grounding wire connection required. For isolated ground wiring, connect ground leads to a separate isolated grounding conductor. See NEC 250-146(d).

QUAD RECEPTACLE COVER:

1. Attach trim flange to cover adapter and receptacle strap using (2) #6-32 flat head screws.
2. Align gasket over receptacle and press bead into flange.

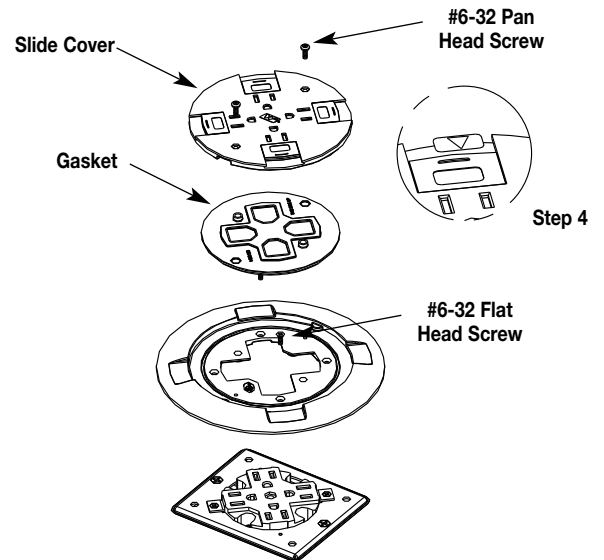
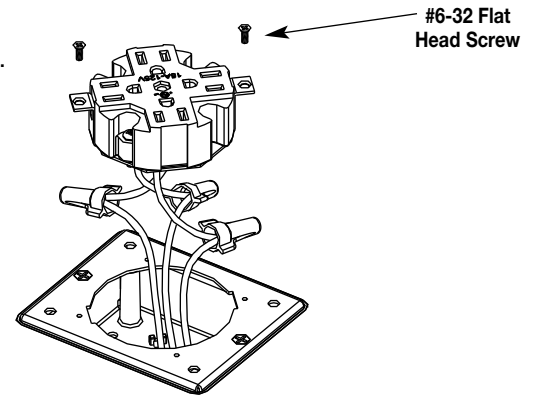
CAUTION: Gasket must be in place to provide scrub water seal.

3. Attach slide cover with (2) #6-32 pan head cover screws.

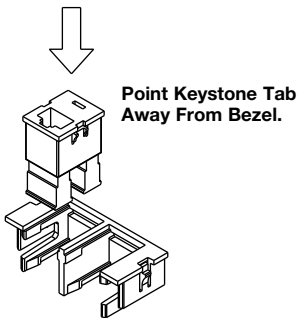
CAUTION: Do not over tighten cover screws.

4. Apply icon on receptacle slide if wired for isolated ground circuit.

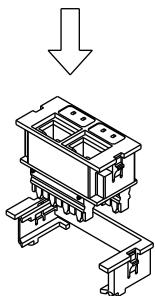
NOTE: Place orange triangle on devices that are wired for isolated ground. See NEC 250-146 (d).



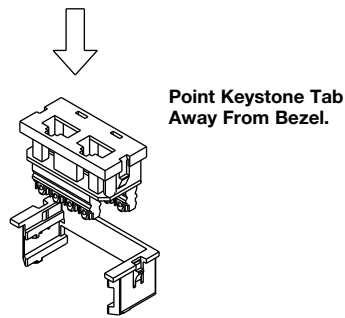
COMMUNICATION DEVICES:



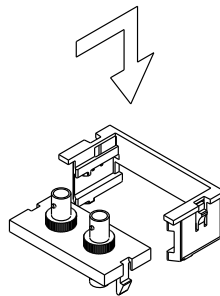
Ortronics TracJack Bezel and Communication Jack (TracJack Modular Inserts sold separately)



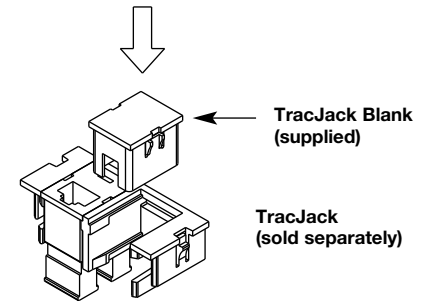
Pass & Seymour ACTIVATE Bezel and Communication Jack



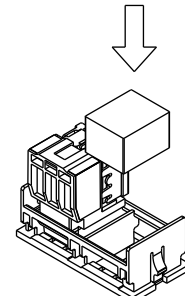
Ortronics Series II Bezel and Communication Jack (Series II Bezel Included; Series II Modular Inserts sold separately)



Lower Level Bezel Installation (Typical for Fiber Installations) (Fiber Jack sold separately)



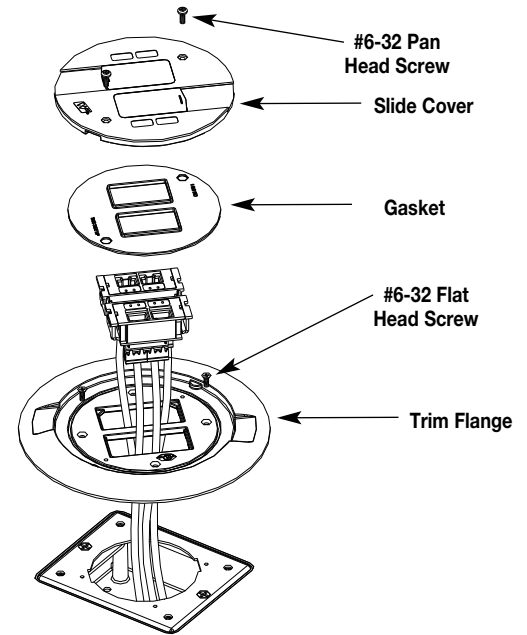
Communication Jack (sold separately)



Foam Plug (supplied)

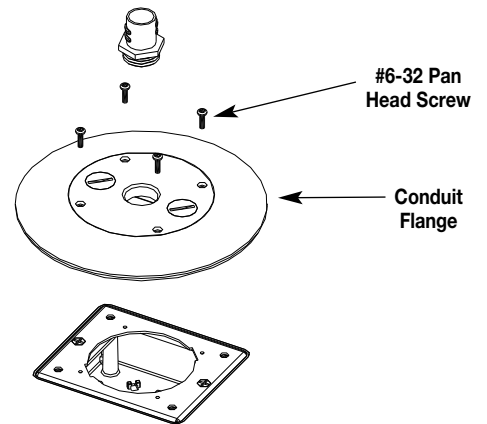
COMMUNICATIONS COVER: (2" [51mm] min. preset depth)

1. Wire and snap appropriate communication jacks into adapters as shown above.
2. Insert blanking plugs or neoprene foam blocks in unused communication ports.
3. Insert jacks through underside of trim flange and snap into place.
4. Attach trim flange with jacks to the preset adapter plate using (4) #6-32 flat head screws.
5. Align gasket over devices and press bead into trim flange channel.
CAUTION: Gasket must be in place to provide scrub water seal.
6. Install slide cover with (2) #6-32 pan head cover screws.
CAUTION: Do not over tighten cover screws.



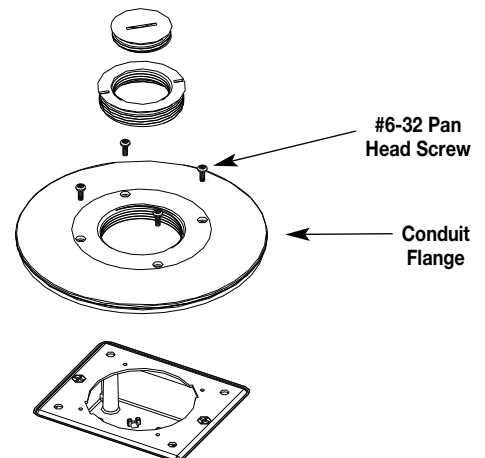
PARTITION FEED COVER: (1" [25mm] min. preset depth)

1. Attach conduit flange to the preset adapter plate using (4) #6-32 pan head screws.
 2. Remove screw plugs and install flexible conduit fittings with conduit.
- NOTE: Keep screw plugs for future abandonment.**



**2" TRADE SIZE PARTITION FEED COVER:
(1" [25mm] min. preset depth)**

1. Attach conduit flange to the preset adapter plate using (4) #6-32 pan head screws.
 2. Remove screw plugs and install conduit fittings with conduit.
- NOTE: Keep screw plugs for future abandonment.**



PRESET INSERT INSTALLATION DETAILS

To Field Installed Presets:

1. Be certain correct preset height is selected.
2. Position preset so that hooks on bottom of preset drop into openings on duct.
3. Push down evenly and slide forward. Knockout tab should snap into opening.

To Remove Mudcap:

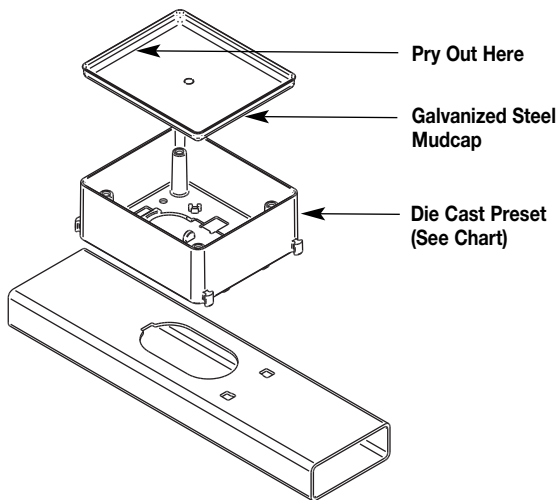
1. Strike a 1/4" flat blade screwdriver along the side of the mudcap to deflect the top edge.
2. Use a screwdriver to pry out mudcap.

To Install Alignment Plates:

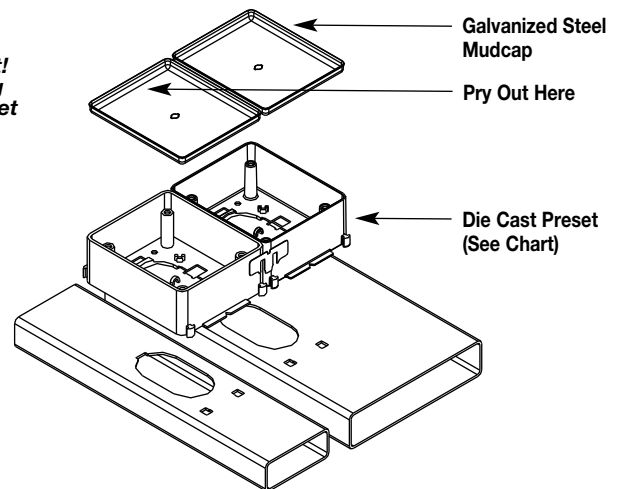
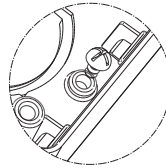
1. Install plates at first set of presets on each length of duct before securing supports and couplings.
2. All presets must be aligned within 1/8" [3.2mm].

#2 DUCT SYSTEMS ONLY				
S SYSTEM DEPTH	P PRESET HEIGHT	PRESET CATALOG NUMBER	CUBIC INCHES VOLUME	
2 1/4" [57mm]	7/8" [22.2mm]	419-1	13.7	
2 3/4" [70mm]	1 3/8" [34.0mm]	419-11/2	22.6	
3 1/4" [83mm]	1 7/8" [47.0mm]	419-2	31.2	
3 3/4" [95mm]	2 3/8" [61.0mm]	419-21/2	39.8	
4 1/4" [73mm]	2 7/8" [73.0mm]	419-3	48.3	

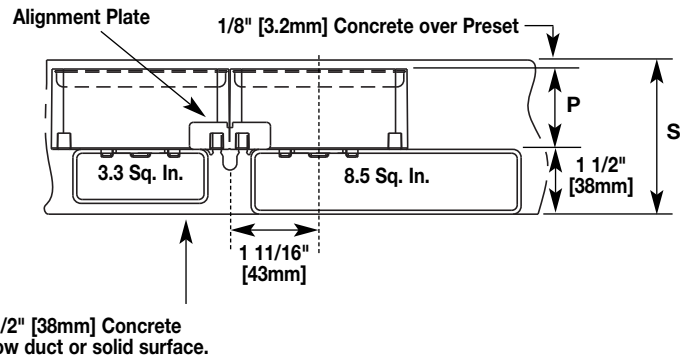
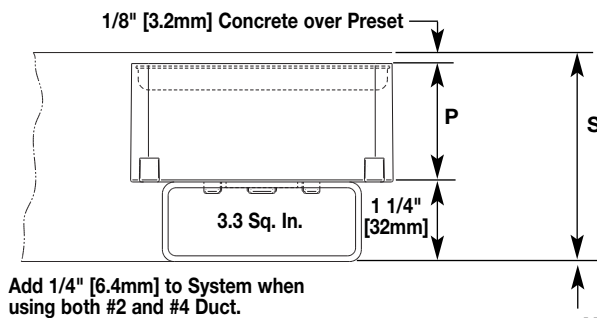
#4 DUCT SYSTEMS ONLY				
S SYSTEM DEPTH	P PRESET HEIGHT	PRESET CATALOG NUMBER	CUBIC INCHES VOLUME	
2 1/2" [64mm]	7/8" [22.2mm]	419-1	13.7	
3" [76mm]	1 3/8" [34.0mm]	419-11/2	22.6	
3 1/2" [89mm]	1 7/8" [47.0mm]	419-2	31.2	
4" [102mm]	2 3/8" [61.0mm]	419-21/2	39.8	
4 1/2" [115mm]	2 7/8" [73.0mm]	419-3	48.3	



NOTE: Important!
Tighten Bonding Screw when Preset is activated.



NOTE: Three Duct Systems are Similar.



WIREMOLD

legrand®

Wiremold/Legrand

U.S. and International:

60 Woodlawn Street • West Hartford, CT 06110

1-800-621-0049 • FAX 860-232-2062 • Outside U.S.: 860-233-6251

Canada:

570 Applewood Crescent • Vaughan, Ontario L45K 4B4

1-800-723-5175 • FAX 905-738-9721

