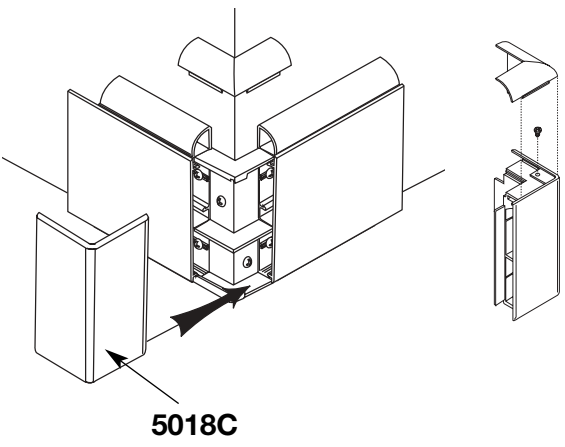
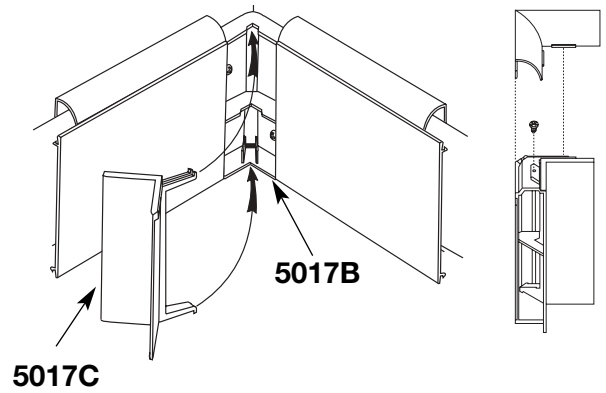


11

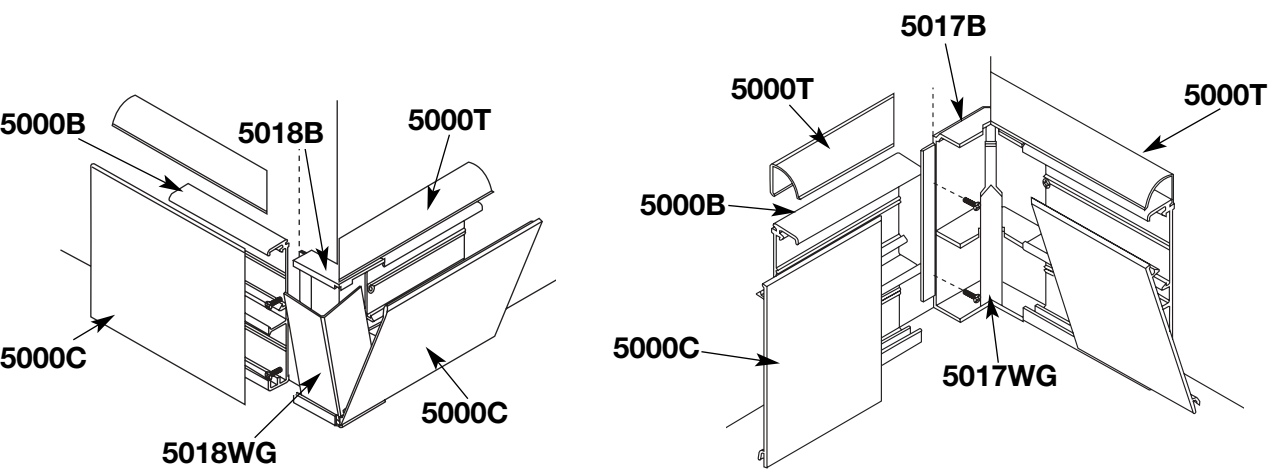


12



13

Mitered Installation
Instalación a inglete.
Assemblage d'onglet.



ACCESS 5000 RACEWAY WIRE CAPACITIES FOR POWER

WIRE SIZE THHN/THWN	O.D.		NO. OF CONDUCTORS TOP COMPARTMENT
	Inches	[mm]	
14 AWG	0.111	[2.8]	24
12 AWG	0.130	[3.3]	20
10 AWG	0.164	[4.2]	12

ACCESS 5000 RACEWAY WIRE FILL CAPACITIES FOR COMMUNICATIONS

	CABLE/WIRE SIZE	O.D. (Approx. Dia.)		TOP COMPARTMENT		BOTTOM COMPARTMENT	
		inches	[mm]	20% FILL*	40% FILL**	20% FILL*	40% FILL**
UNSHIELDED TWISTED PAIR	4-pair, 24 AWG Cat 3 U	0.190	[4.8]	13	27	9	19
	4-pair, 24 AWG Cat 5e	0.210	[5.3]	11	22	8	16
	4-pair, 24 AWG Cat 6	0.250	[6.3]	7	15	5	11
TELEPHONE	2-pair, 24 AWG	0.140	[3.6]	25	50	18	36
	3-pair, 24 AWG	0.150	[3.8]	21	43	15	31
	4-pair, 24 AWG	0.190	[4.8]	13	27	9	19
	25-pair, 24 AWG	0.410	[10.4]	2	5	2	4
COAXIAL	RG58/U	0.195	[5.0]	12	25	9	18
	RG59/U	0.242	[6.1]	8	16	6	12
	RG62/U	0.242	[6.1]	8	16	6	12
	RG6/U	0.270	[6.9]	6	13	4	9
TWINAXIAL	100 Ohm	0.330	[8.4]	4	9	3	6
SHIELDED TWISTED PAIR	Type 1	0.390	[9.9]	3	6	2	4
	Type 2	0.465	[11.8]	2	4	1	3
	Type 3	0.245	[6.2]	8	16	5	11
FIBER	Mini ZipCord	0.079 x 0.157	[2 x 4]	31	62	22	45
	ZipCord	0.118 x 0.236	[3 x 6]	13	27	10	20
	Round 4 Strand Fiber	0.187	[4.8]	14	28	10	20
	Round 6 Strand Fiber	0.256	[6.5]	7	15	5	10

* 20% cable fill is calculated to approximate reduction in cable capacity due to connectors mounted within raceway and fittings that may restrict cross sectional area.
 ** 40% cable fill is the maximum designed cable fill based on a proposed revision to TIA/EIA 569-A.
 NOTE: Raceway wire capacities are based upon loose conductors. Do not bundle conductors in raceway.

WIREMOLD



**Access® 5000 Raceway System
INSTALLATION INSTRUCTIONS**

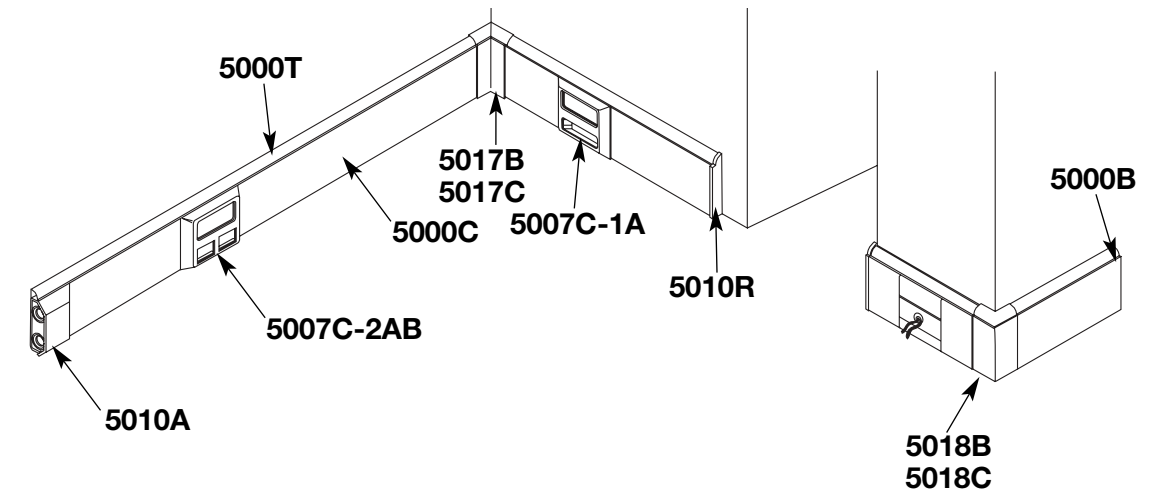
Installation Instruction No.: 40478R5 - Updated July 2005

Wiremold Electrical Systems conform to and should be installed and properly grounded in compliance with requirements of the current National Electrical Code, Canadian Electrical Code or codes administered by local authorities.
 All electrical products may represent possible shock or fire hazard if improperly installed or used. Wiremold electrical products are UL listed. Made for interior use only and should be installed in conformance with current local and/or the National Electrical Code.

The Access 5000 Series Raceway is made up of three components: Base, Cover and Trim Cover. The Trim Cover is to be used for decorative purposes only.

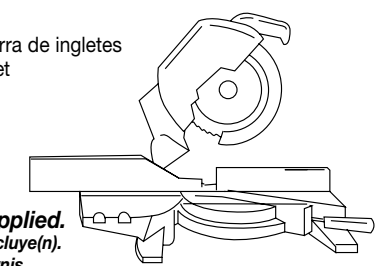
El conducto para cables Access Serie 5000 se compone de tres elementos: Base, cubierta y moldura de la cubierta. La moldura de la cubierta se usa sólo con fines decorativos. La moldura de la cubierta no deberá usarse como un compartimento adicional para cableado.

Le chemin de câbles Access de la série 5000 est composé de trois éléments : base, cache et moulure. Cette dernière remplit une fonction purement esthétique. Elle ne doit pas être utilisée comme un logement de câbles supplémentaire.



Recommended Cutting Tools & Fasteners*
Herramientas de corte y sujetadores recomendados**
Outil de coupe et attaches recommandés***

Miter Saw
Use una sierra de ingletes
Scie à onglet



Use a #8 [5/16", 7.9mm Head Size] Pan Head Screw or equivalent.
Use un tornillo de cabeza redonda N° 8 (con cabeza de 7.9mm [5/16"] o equivalente).
Utilisez une vis BER n°8 (tête de 7,9mm [5/16 po]) ou équivalent.

* Not supplied.
** No se incluye(n).
*** Non fournis.

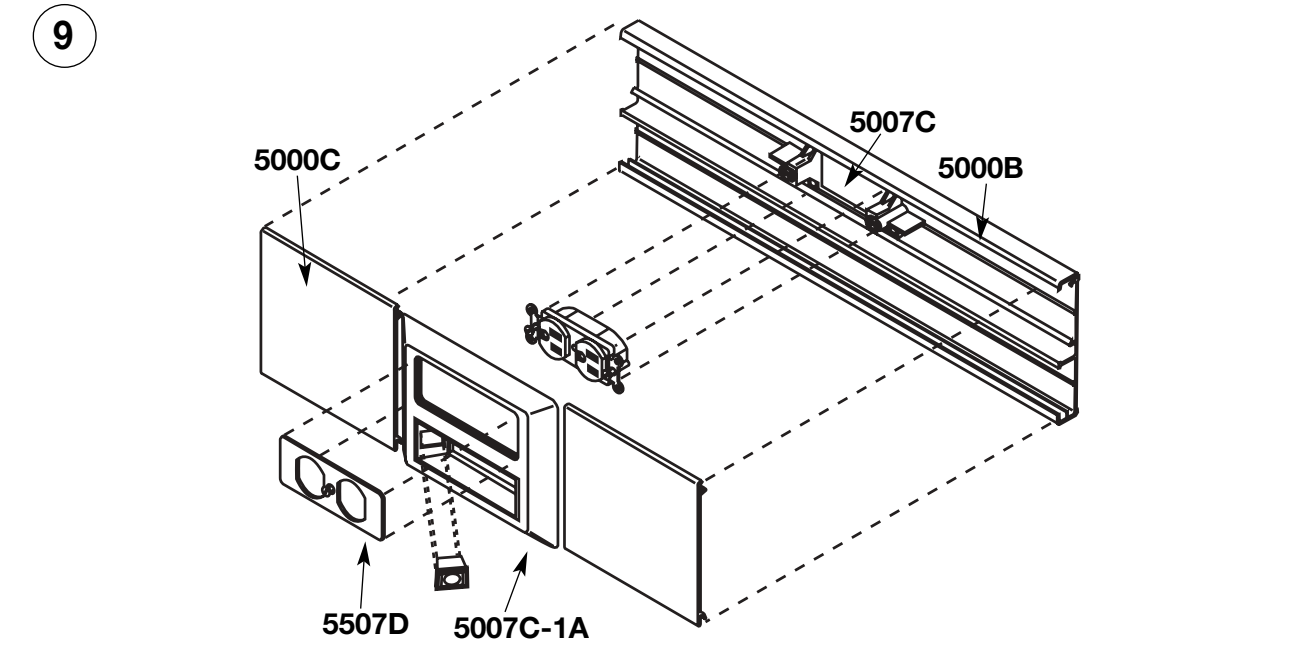
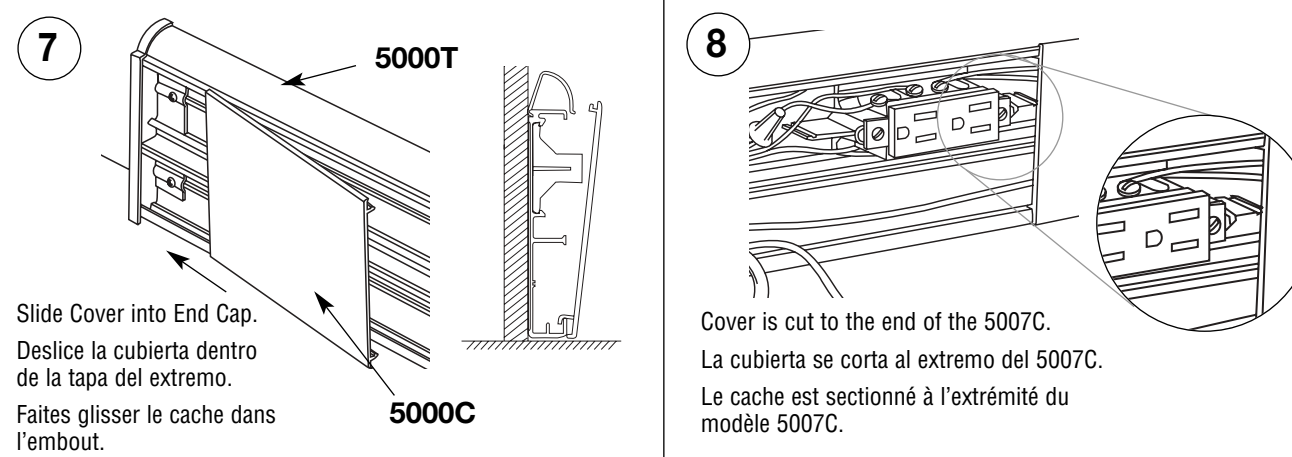
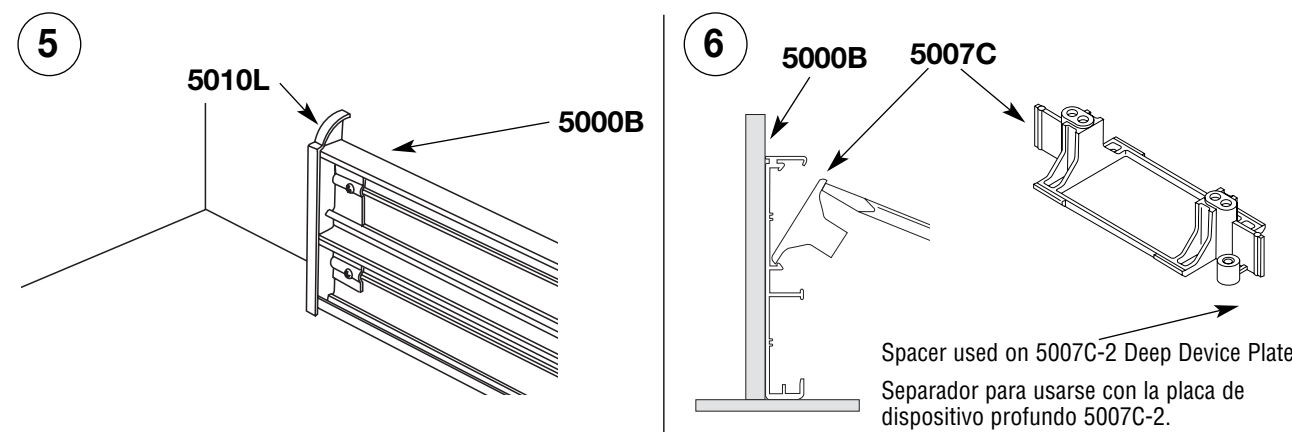
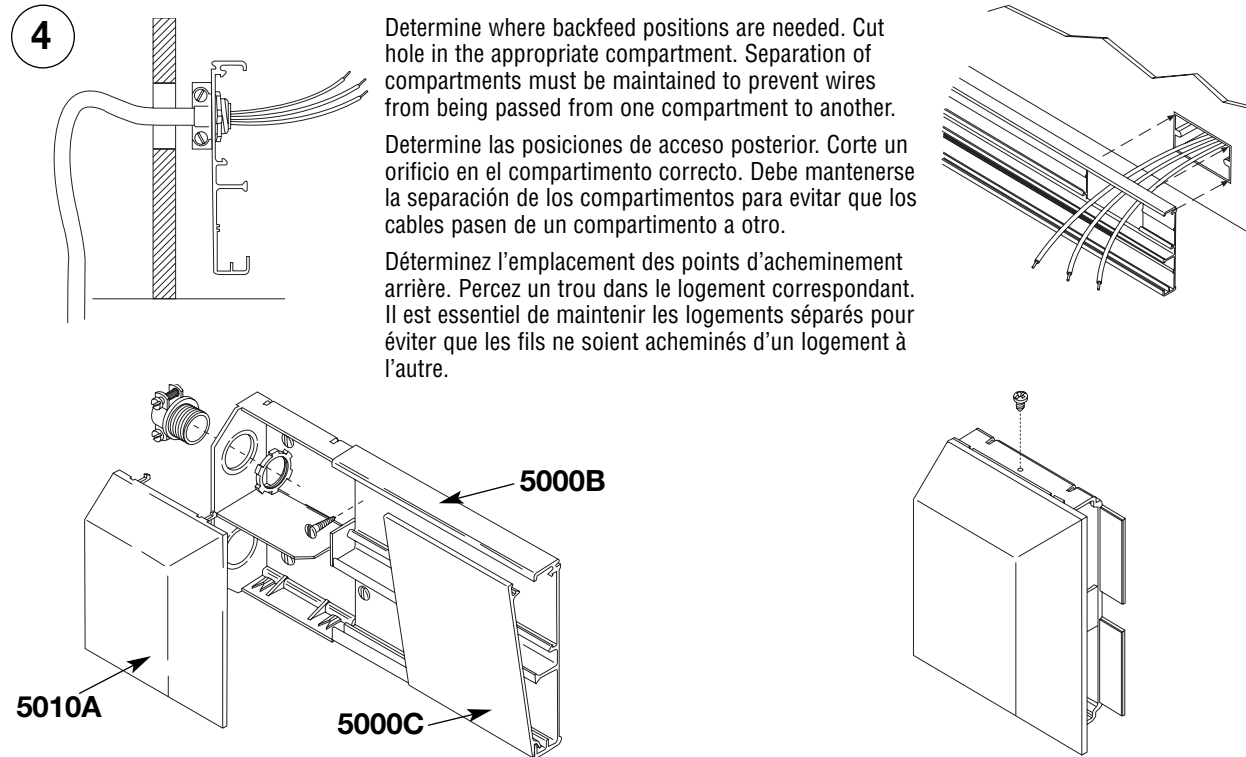
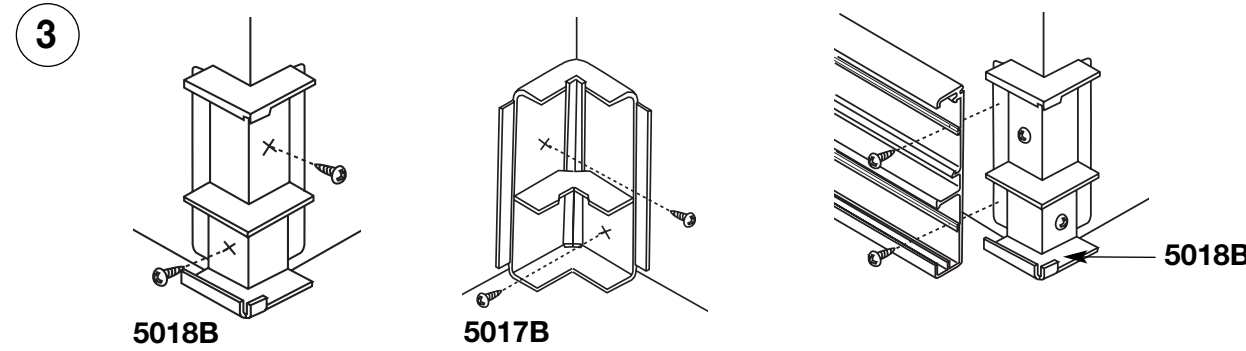
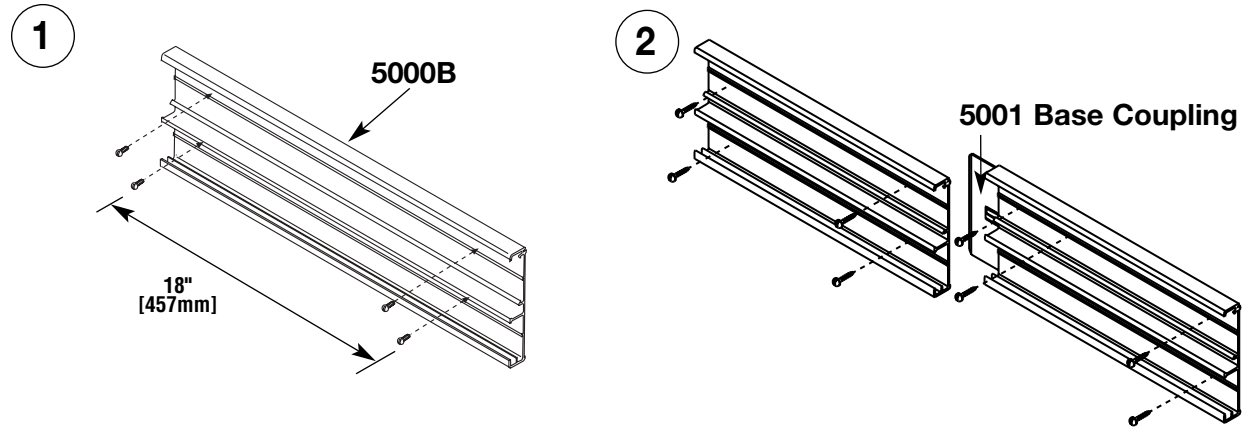
WIREMOLD



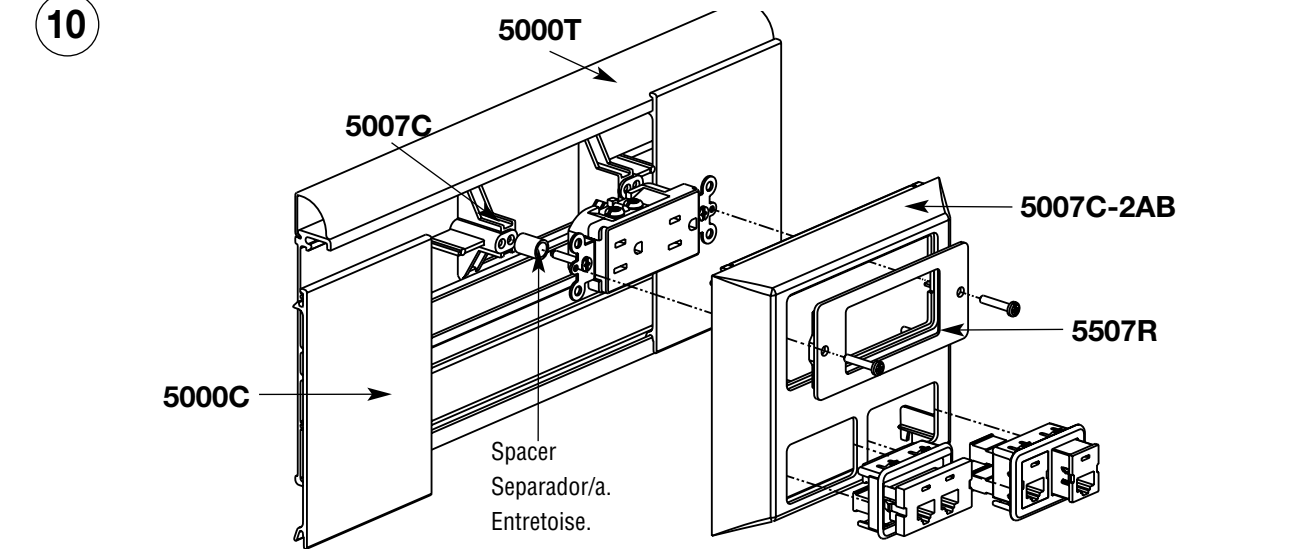
Wiremold / Legrand
U.S. and International:
60 Woodlawn Street • West Hartford, CT 06110
1-800-621-0049 • FAX 860-232-2062 • Outside U.S. 860-233-6251
Canada:
570 Applewood Crescent • Vaughan, Ontario L4K 4B4
1-800-723-5175 • FAX 905-738-9721

40478R5 - Updated July 2005 - For latest specs visit www.wiremold.com





5007C-1A is for use with devices up to 0.900" in depth.
La 5007C-1A es para usarse con dispositivos de hasta 23 mm (0.900") de profundidad.
Le modèle 5007C-1A doit être utilisé avec les dispositifs de 23 mm (0,9 po) de profondeur maximum.



5007C-2AB is for use with devices up to 1.312" in depth. 5507B Faceplate cannot be used in conjunction with 5007C-2AB.
La 5007C-2AB es para usarse con dispositivos de hasta 33 mm (1.312") de profundidad. La placa de servicios 5507B no puede usarse en combinación con la 5007C-2AB.
Le modèle 5007C-2AB doit être utilisé avec les dispositifs de 33 mm (1,312 po) de profondeur maximum. La plaque 5507B ne peut pas être utiliser en conjonction avec la plaque de dispositif profonde 5007C-2AB.