



ADD-VESA

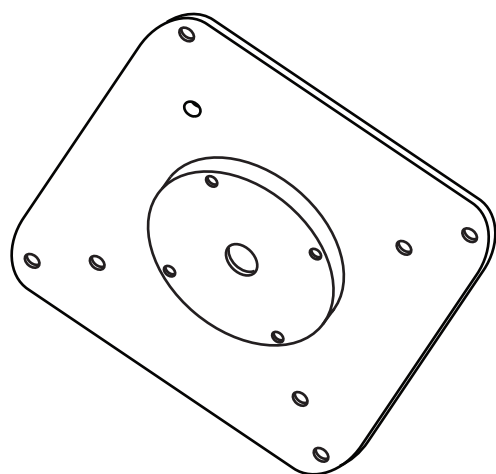
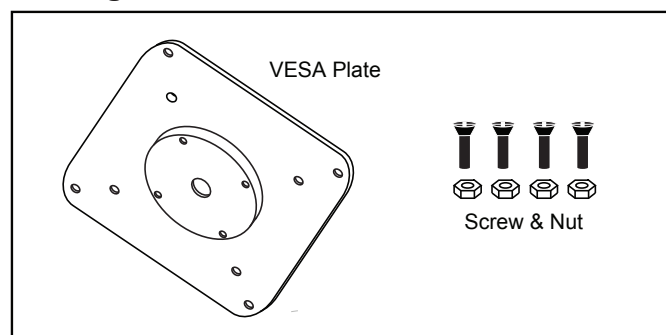
VESA Plate Adaptor Add-On for CTA Digital Tablet Mounts

INSTRUCTION MANUAL

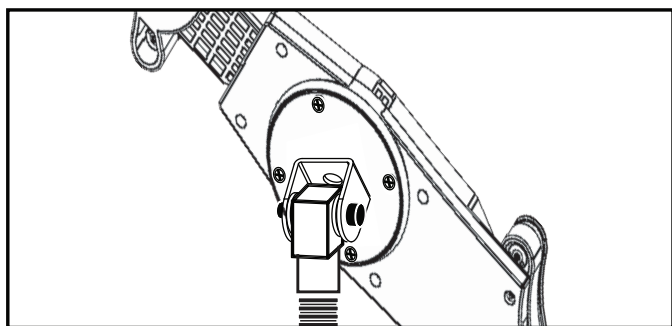
Thank you for choosing CTA Digital's product. We hope that you will enjoy using it. Please follow the guidelines and instructions as laid out in this instruction manual.

Maximum Weight Loading: 3.6 lbs/1.8 kgs

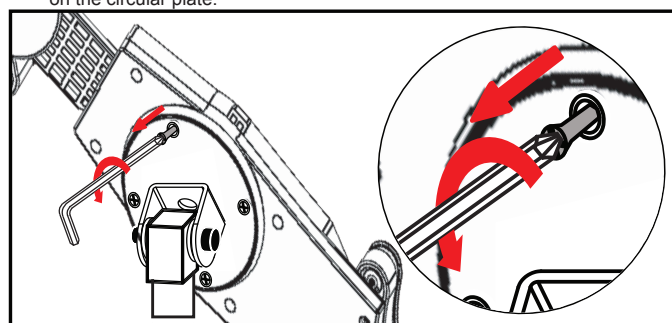
Package Contents:



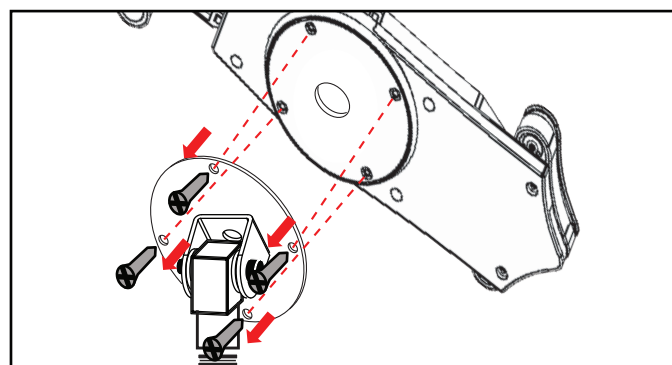
1. Removing Tablet Holder from Gooseneck



1. Locate the 4 screws connecting the tablet holder to the gooseneck on the circular plate.

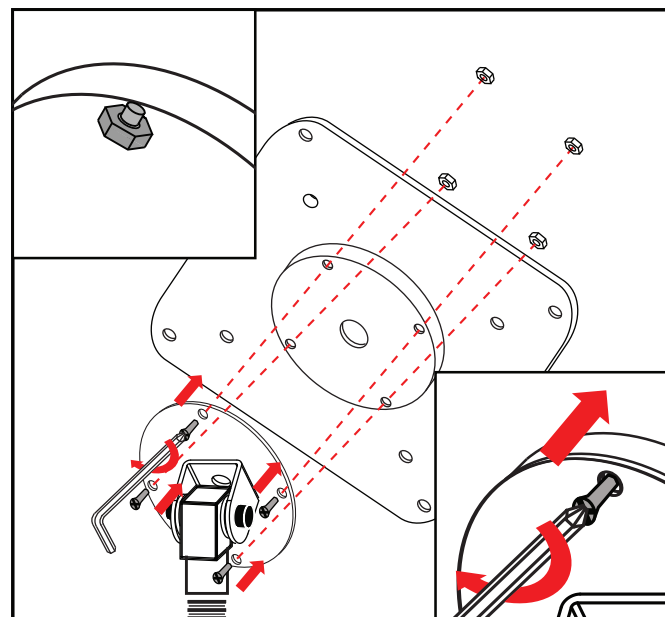


2. Use a Phillips screwdriver to unscrew screw on the circular connection plate.



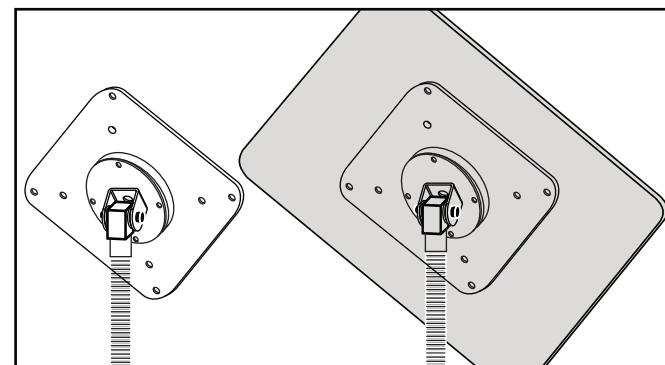
3. Repeat for all 4 screws.

2. Installing VESA Plate to Gooseneck



1. Align screw holes inside the circle on VESA plate with the screw holes on the gooseneck plate and hold together. Press screw through hole starting from gooseneck side, then attach nuts on the VESA side.

Note: the circular part that sticks out from the VESA plate should be facing the gooseneck plate.



2. Connect your VESA device to plate.

NOTE: NOT FOR USE WITH TVs OR PC MONITORS. MAXIMUM WEIGHT CAPACITY IS 3.6 LBS.