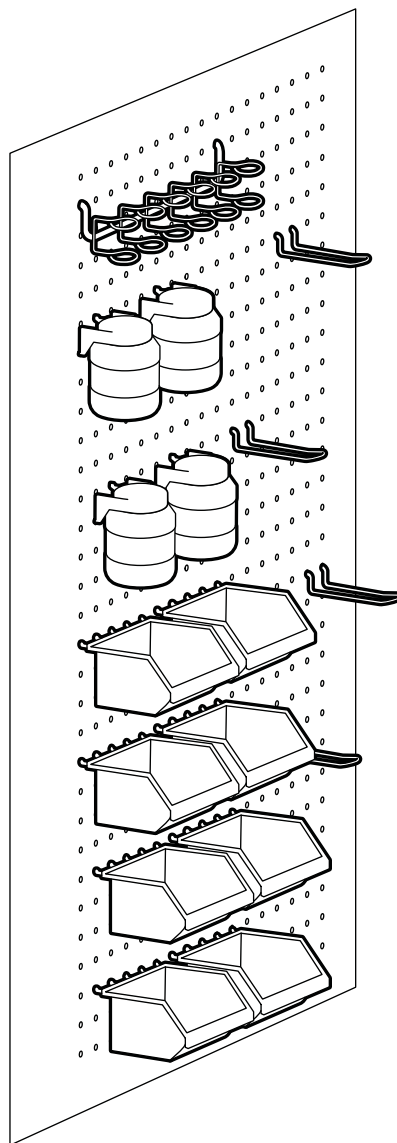


ergotron®

Pegboard Makerspace Kit

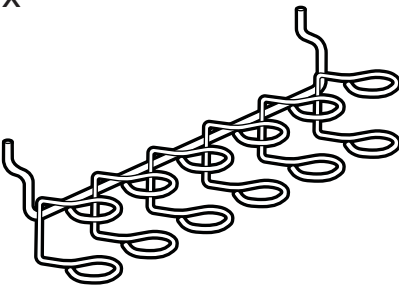
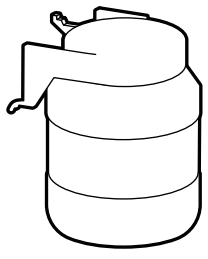
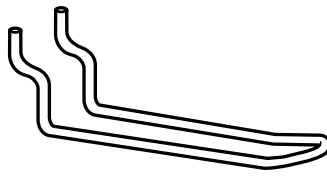
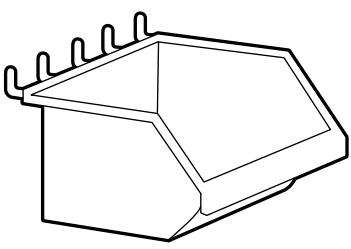


www.ergotron.com | USA: 1-800-888-8458



For the latest User Installation Guide please visit: www.ergotron.com
English, Español, Français

888-98-125-W-00 rev B • 07/19

	A	B
1	1x 	4x  3.5 x 2.5"
2	4x 	8x  4.75 x 4.25 x 2.62"

Safety Seguridad Sécurité

Rated weight capacity for mounting to peg board sides on YES24 and YES36 Adjusta Charging Carts

Capacidad de soporte de peso nominal para el montaje en los lados del tablero de clavijas en los carros de carga YES24 y YES36 Adjusta

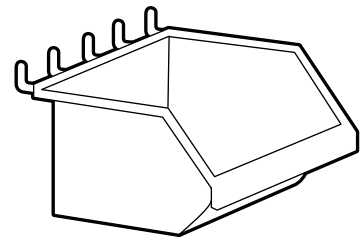
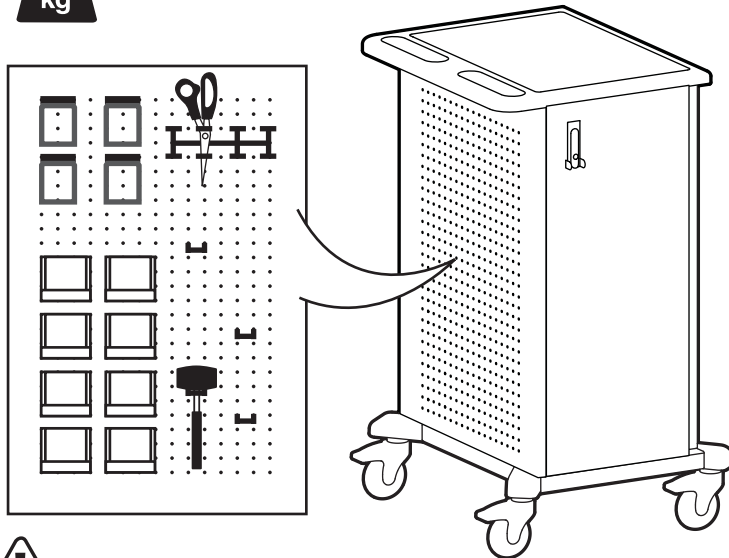
Capacité pondérale nominale pour montage sur les panneaux perforés sur les chariots de chargement YES24 et YES36 Adjusta



≤ 25 lbs. (11.4 kg)



≤ 3 lbs. (1.4 kg)

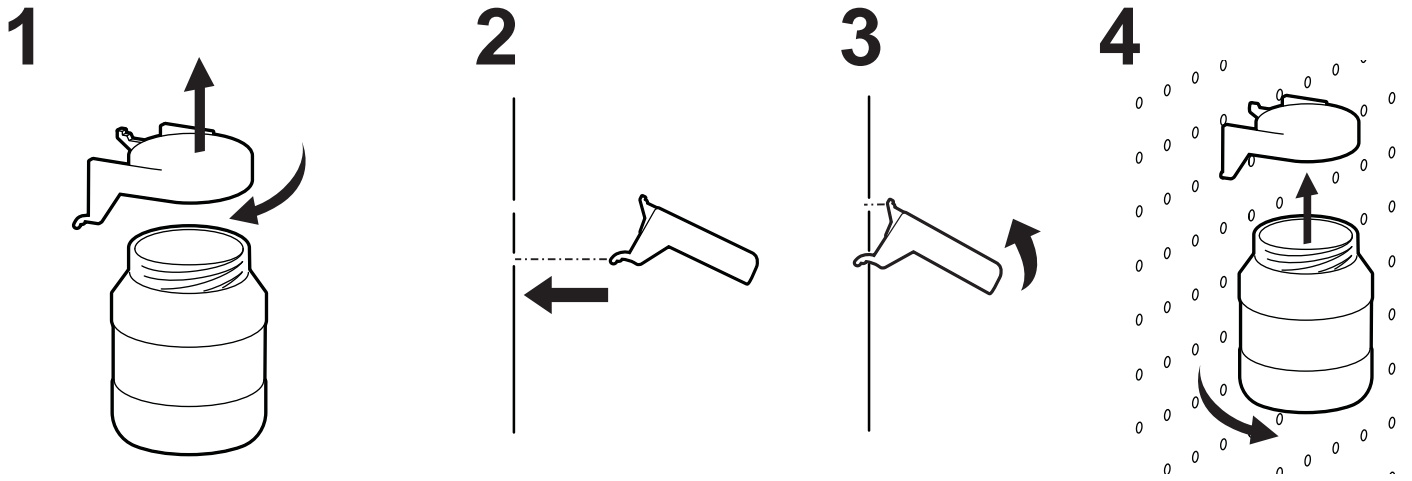


CAUTION: DO NOT EXCEED MAXIMUM LISTED WEIGHT CAPACITY. SERIOUS INJURY OR PROPERTY DAMAGE MAY OCCUR!

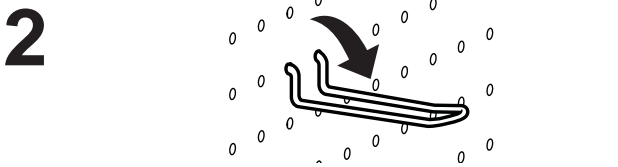
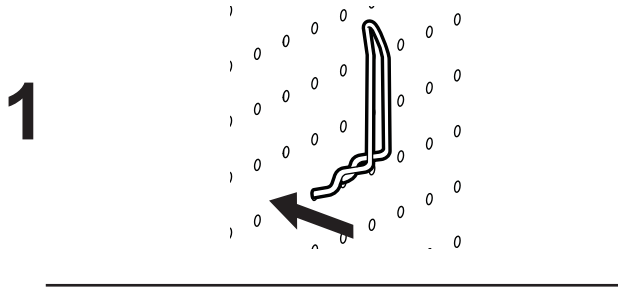
PRECAUCIÓN: NO SUPERE LA CAPACIDAD DE PESO MÁXIMA INDICADA. PODRÍA OCURRIR DAÑOS MATERIALES GRAVES O LESIONES FÍSICAS.

ATTENTION : NE PAS DÉPASSER LA CAPACITÉ NOMINALE MAXIMALE MENTIONNÉE. DE SÉRIEUSES BLESSURES OU DES DOMMAGES MATÉRIELS POURRAIENT SE PRODUIRE !

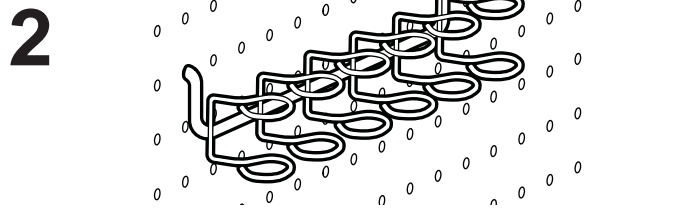
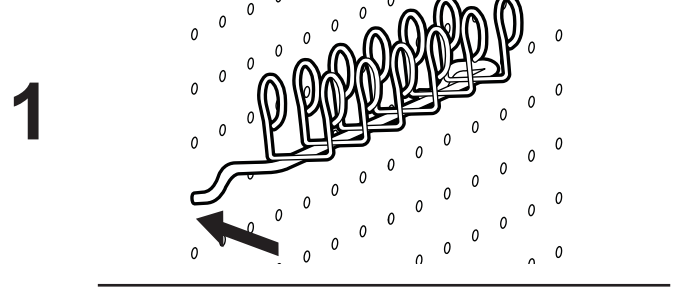
1



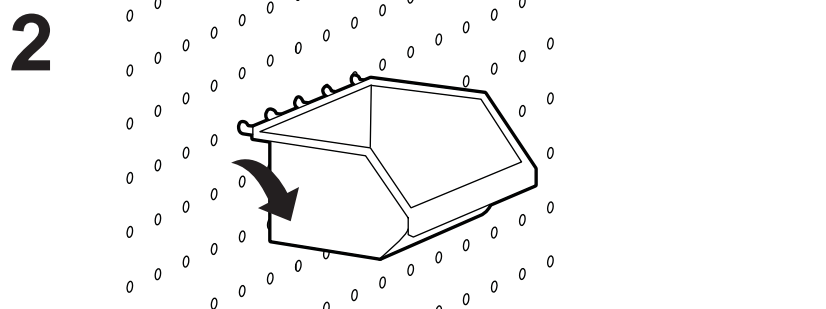
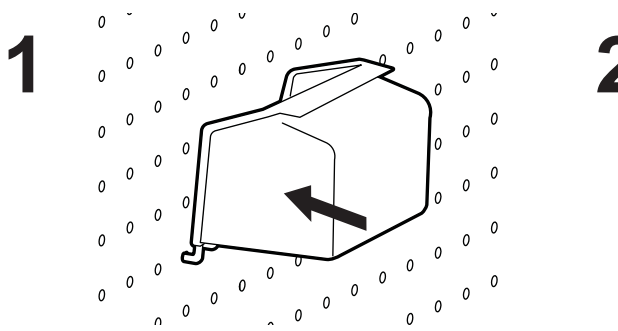
2



3



4



For the latest User Installation Guide please visit: www.ergotron.com
For Warranty visit: www.ergotron.com/warranty
For Service visit: www.ergotron.com
For local customer care phone numbers visit: <http://contact.ergotron.com>

Para acceder a la última versión de la Guía de instalación para el usuario, ingrese a www.ergotron.com
Para Garantía, visite: www.ergotron.com/warranty
Para servicio, visite: www.ergotron.com
Para conocer los números telefónicos locales de atención al cliente, visite: <http://contact.ergotron.com>

Pour la dernière version du Guide d'installation de l'utilisateur, visitez : www.ergotron.com.
Pour la garantie, visitez: www.ergotron.com/warranty
Pour le service client, visitez: www.ergotron.com
Pour les numéros de téléphone du service client local, visitez : <http://contact.ergotron.com>

ergotron®

www.ergotron.com | USA: 1-800-888-8458 | Europe: +31 (0)33-45 45 600 | China: 400-120-3051 | Japan: japansupport@ergotron.com

© 2019 Ergotron, Inc. All rights reserved.

While Ergotron, Inc. makes every effort to provide accurate and complete information on the installation and use of its products, it will not be held liable for any editorial errors or omissions (including those made in the process of translation from English to another language), or for incidental, special or consequential damages of any nature resulting from furnishing this instruction and performance of equipment in connection with this instruction. Ergotron, Inc. reserves the right to make changes in the product design and/or product documentation without notification to its users. For the most current product information, or to know if this document is available in languages other than those herein, please contact Ergotron. No part of this publication may be reproduced, stored in a retrieval system, or transmitted in any form or by any means, electronic, mechanical, photocopying, recording or otherwise without the prior written consent of Ergotron, Inc., 1181 Trapp Road, Eagan, Minnesota, 55121, USA Patents Pending and Patented U.S. & Foreign. Ergotron is a registered trademark of Ergotron, Inc.