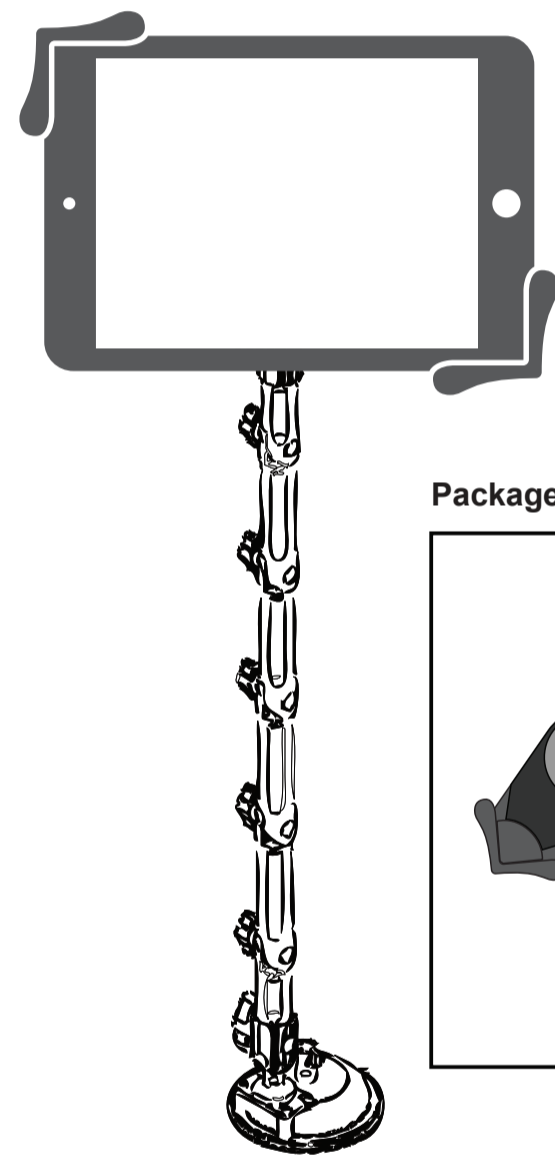




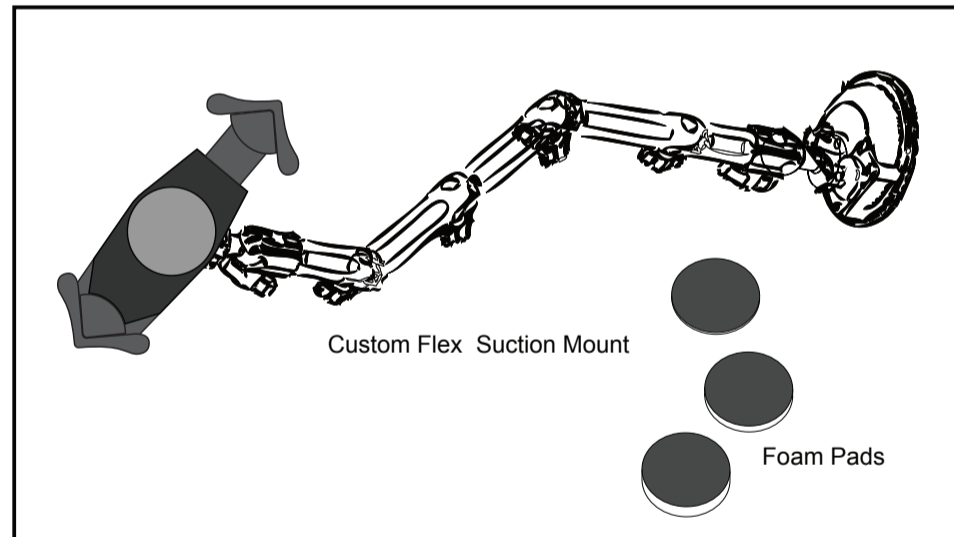
PAD-CFSM

Custom Flex Suction Mount for 7-14 Inch Tablets INSTRUCTION MANUAL

Thank you for choosing CTA Digital's product. We hope that you will enjoy using it. Please follow the guidelines and instructions as laid out in this instruction manual.

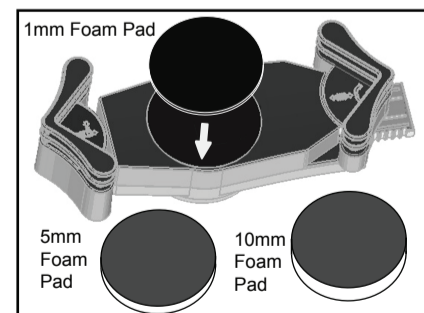


Package Contents:



Instructions:

1. Attaching Foam Pad to Tablet Holder



Select the appropriate foam pad according to the thickness of your tablet (or tablet in its case), then press adhesive side into center of the tablet holder.

Use this table to determine the appropriate foam pad to use with your tablet.
Note: sizes refer to total tablet size with or without a case.

Foam Pad Thickness	Tablet Thickness:
1mm	0.67-1.06in / 17-27mm
5mm	0.51-0.91in / 13-23mm
10mm	0.31-0.71in / 8-18mm

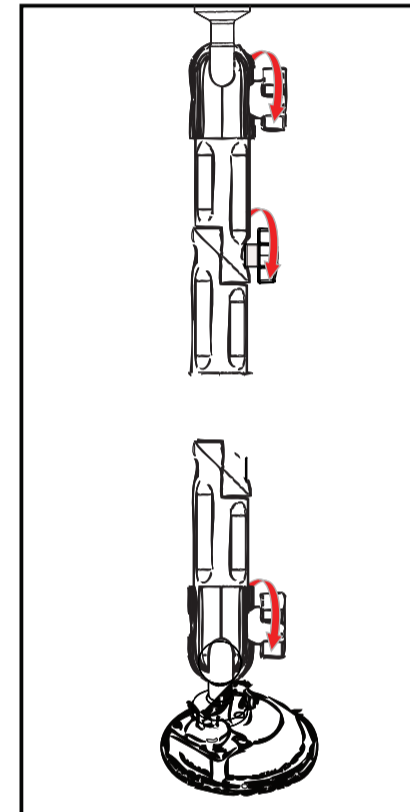
2. Attaching Suction Mount Base



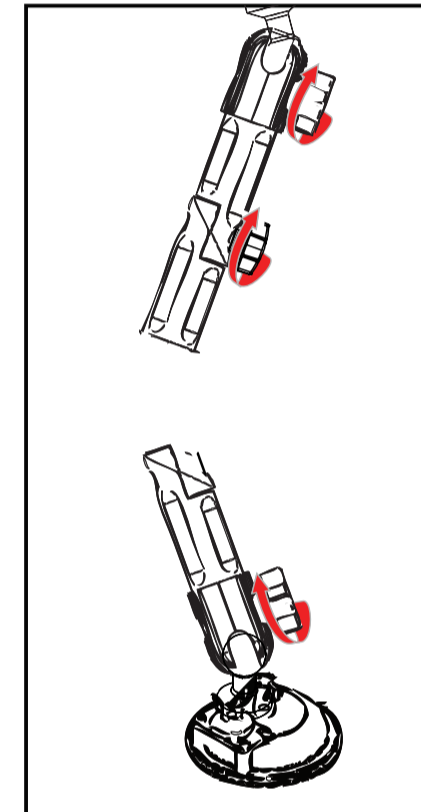
With the lock clasp up, press the suction mount against surface. Press the lock clasp down to secure in place.



3. Adjusting the Flex Arm

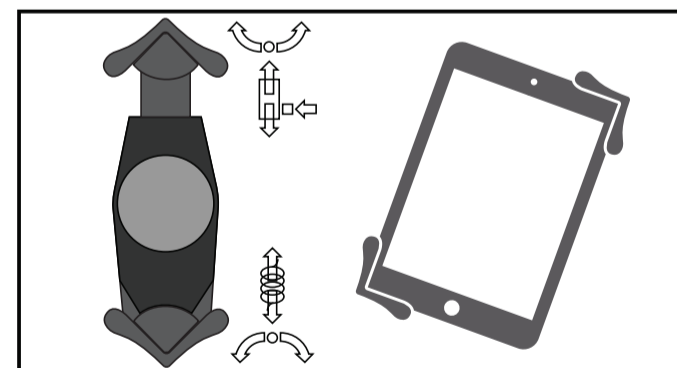


1. Twist the SCREW KNOB of the arms counter clockwise to release the connection.

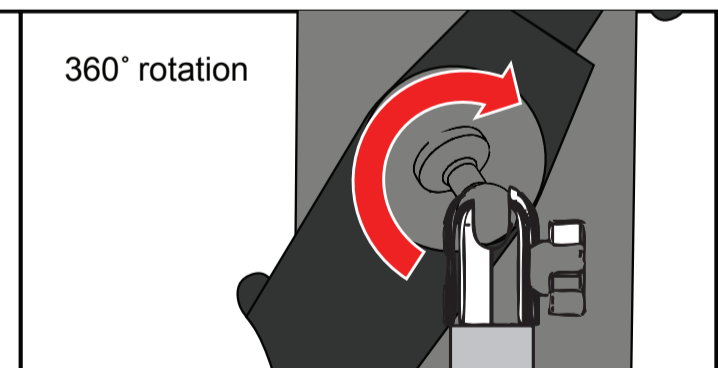


2. Adjust the arms to your favorite position and then tighten the SCREW KNOB clockwise.

4. Installing your Device and Adjusting the Tablet holder



1. Press quick release button on side of tablet holder to release the adjustable end. Insert tablet corner against the spring arm, then push adjustable arm down against opposite corner. Be sure it is as snug as possible.



2. Loosen ball socket joint to rotate tablet to desired orientation, then tighten ball socket again.