

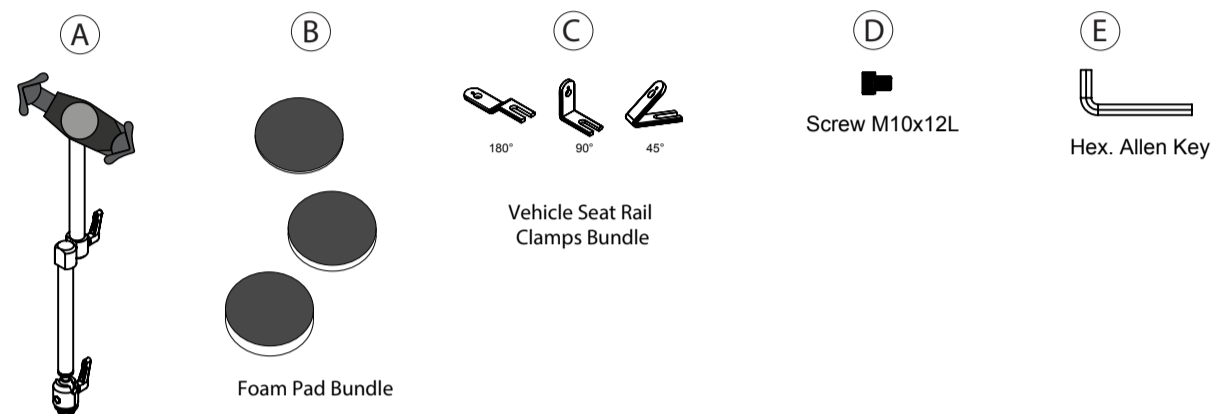


Aluminum Vehicle Mount

AUT-CFVM

INSTRUCTION - MANUAL

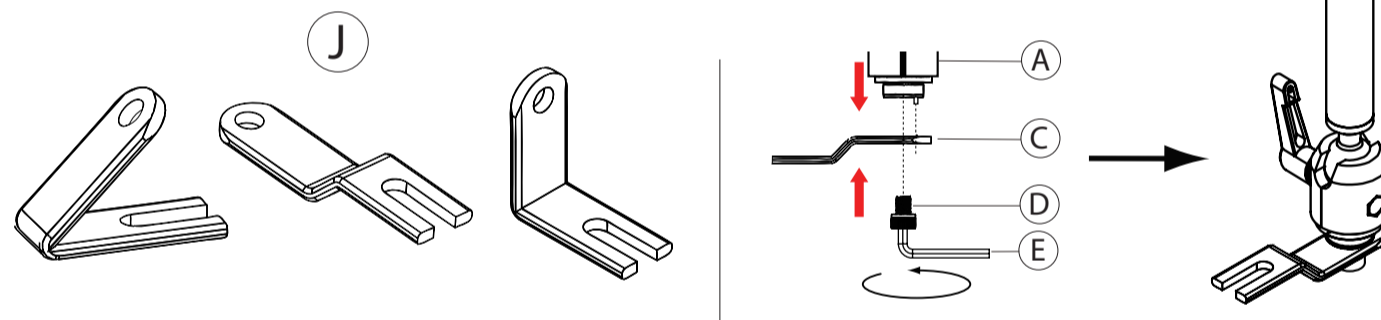
Package Contents:



Intructions:

1. Assembling Rail Clamp Footing of the Vehicle Mount:

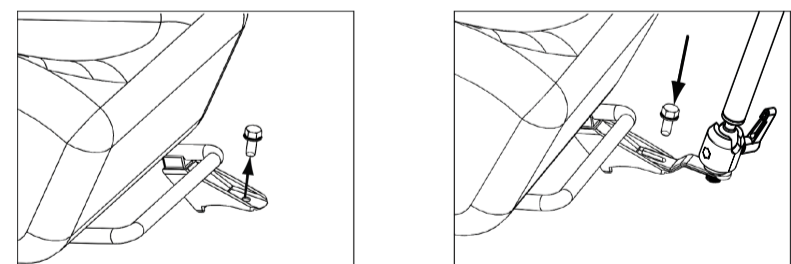
Because each vehicle is different, you will need to determine which included seat rail clamp is best for you.



1A. Choose the clamp base (J) with the angle that matches your needs.

1B. Align the preferred clamp (C) and the vehicle mount (A) and rotate in screw (D) with provided allen key tool (E).

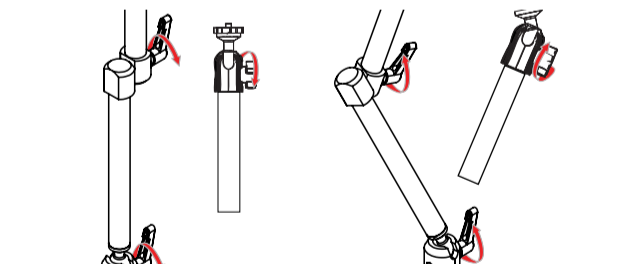
2. Installing Vehicle Mount to your Vehicle Seat Rail:



2A. Loosen the bolt (not included) of the seat rail.(seat and rail not included)

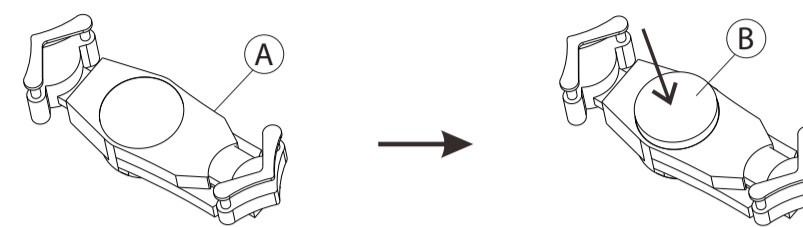
2B. Install the full assembled vehicle mount on the seat rail and screw the bolt back as shown. (Tool not included)

3. How to Adjust the Joints:



3A. Twist the screw knobs counter-clockwise to release the connection. Adjust the arm to your any preferred position & rotate back clockwise until securely tightened.

4. Inserting a Foam Piece on Holder

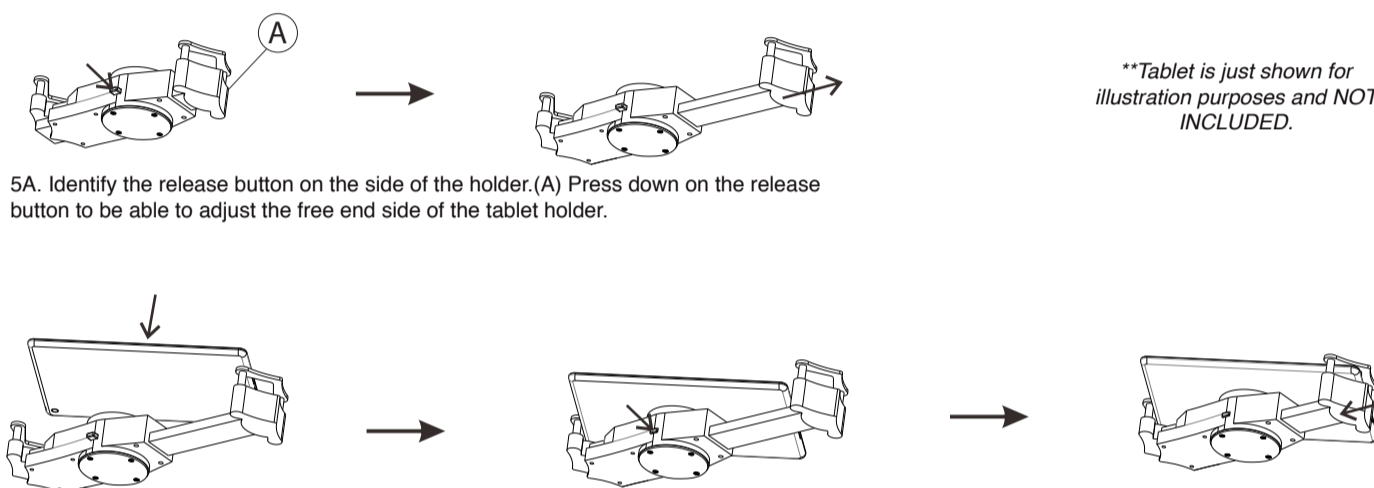


Use this table to determine the appropriate foam pad to use with your tablet.
Note: sizes refer to total tablet size with or without a case.

Foam Pad Thickness	Tablet Thickness:
1mm	0.67-1.06in / 17-27mm
5mm	0.51-0.91in / 13-23mm
10mm	0.31-0.71in / 8-18mm

4A. Select the appropriate foam pad (B) according to the thickness of your tablet. (See table on the right for reference) Once you have your foam piece selected, peel off the sticker and with the adhesive side, face down onto the tablet and press onto the holder (A). Make sure to align foam to the center of the tablet holder where there is a small circle indication. Also foam pieces can stack as needed by the user's discretion.

5. Inserting a Tablet into the Holder



5A. Identify the release button on the side of the holder.(A) Press down on the release button to be able to adjust the free end side of the tablet holder.

5B. Extend holder arm to the max extension. Insert tablet with the holder arms at the corners. Make sure to align the holder arms on the corners that do NOT have the camera otherwise you will end up blocking the camera.

5C. Press the release button if you need more arm extension if you originally didn't extend the arm to the max extension.

****Tablet is just shown for illustration purposes and NOT INCLUDED.**

5D. Once the tablet has been placed correctly, simply push the free end of the holder back until it firmly grips the two ends of the tablet securely.