

Picture is for reference only

LEVEL 20 GT ARGB



User's Manual
 Benutzerhandbuch
 Mode d'emploi
 Manual del usuario
 Manuale dell'utente
 Manual do Utilizador
 安裝說明書
 用戶手冊/ユーザーズマニュアル
 Руководство пользователя
 kullanıcı elkitabı
 (EEE Yönetmeliğine Uygundur)
 คู่มือการไอซ์



© 2018 Thermaltake Technology Co., Ltd. All Rights Reserved. 2018.08
 All other registered trademarks belong to their respective companies. www.thermaltake.com



TT Premium



TT Premium

To continue achieving the corporate mission of delivering the perfect user experience, Thermaltake developed "TT Premium" with the essence of combining supreme quality products with a new logo design. TT Premium is far more than just a guarantee of quality. Behind the name, it represents the passion in DIY, Modding and Thermaltake's desire to be the most innovative brand in the PC hardware market. To satisfy the demand of the high-end PC users, TT Premium follows its core values of Excellent Quality, Unique Design, Diverse Combinations and Boundless Creativity to provide a high performance PC product for every enthusiast. <http://ttopremium.com>

Tt LCS-Liquid Cooling Support Certification



Tt LCS Certified is a Thermaltake exclusive certification applied to only products that pass the design and hardcore enthusiasts standards that a true LCS chassis should be held to. The Tt LCS certification was created so that we at Thermaltake can designate to all power users which chassis have been tested to be best compatible with extreme liquid cooling configurations to ensure you get the best performance from the best features and fitment.

Join Tt Community To Receive Benefits



Dear Valued Customer,

Thank you for choosing Thermaltake.

As a new user we value your thoughts and opinions and your feedback is important to us. We at Thermaltake would like to use this opportunity to invite you to join our Community Forums. Register today to start enjoying the full benefits of our community.



Benefits of being a member:

- Quick and responsive user support
- Receive help and advice with new builds
- Keep up to date with new product releases
- Share your thoughts and builds with the community
- Enter monthly contests and giveaways

Brand official website

<http://www.thermaltake.com/>

Global Facebook

<https://www.facebook.com/ThermaltakeInc>

Taiwan Facebook

<http://www.facebook.com/ThermaltakeTW>

Global community forums

<http://community.thermaltake.com>

CONTENTS

Chapter 1. Product Introduction

1.0	Specification	01
1.1	Accessory	02
1.2	Warning and Notice	03

Chapter 2. Installation Guide

2.0	Side Panels Disassembly	05
2.1	Power Supply Unit (PSU) Installation	06
2.2	Motherboard Installation	07
2.3	3.5" & 2.5" HDD Installation	08
2.4	PCI Card Installation	09
2.5	RGB Switch Mode	11
2.6	Air Cooling Installation	13
2.7	Liquid Cooling Installation	14
2.8	Max Radiator Installation Notice	17
2.9	Pump Installation	18

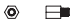
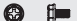
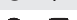
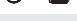
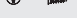
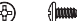
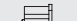

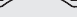



Chapter 3. Leads Installation Guide

3.0	Thermaltake Power Supply Series (Optional)	19
3.1	Tt RGB Plus Ecosystem	20
3.2	Internal USB Connection	21
3.3	Case LED connection	21
3.4	Audio connection	21

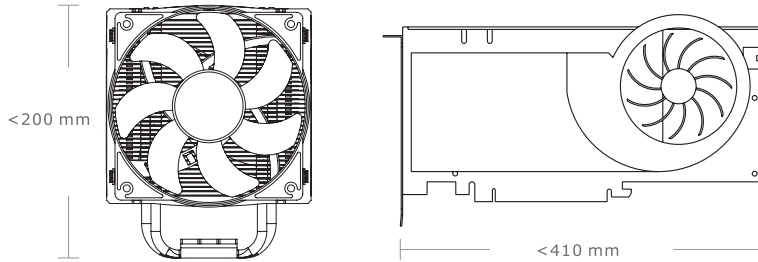
Specification

Model	Level 20 GT ARGB
Case Type	Full Tower
Dimension (H*W*D)	580 x 294 x 592 mm (22.9 x 11.6 x 23.3 inch)
Side Panel	5mm Tempered Glass x 4 (Left & Right & Front & Top)
Cooling System	Rear (exhaust) : 200 x 200 x 30mm Addressable RGB fan (800rpm, 29.2dBA) x 2 Front (intake) : 140 x 140 x 25 mm fan (1000rpm, 16dBA)
Drive Bays - Accessible - Hidden	2.5" x 4 or 3.5" x 4 (HDD Rack) 2.5" x 6 or 3.5" x 3
Expansion Slots	8
Motherboards	6.7" x 6.7" (Mini ITX), 9.6" x 9.6" (Micro ATX), 12" x 9.6" (ATX) , 12" x 13" (E-ATX)
I/O Port	USB 3.0 x 2, USB 2.0 x 2, HD Audio x 1, Type-C x 1
Fan Support	Front: 3 x 120 mm, 3 x 140 mm, 2 x 200 mm Top: 3 x 120 mm, 3 x 140 mm, 2 x 200 mm Rear: 1 x 120 mm, 1 x 140 mm Bottom: 2 x 120 mm
Radiator Support	Front: 1 x 360 mm, 1 x 420 mm, 1 x 360 mm(For 200 mm fan) Top: 1 x 360 mm, 1 x 420 mm, 1 x 360 mm(For 200 mm fan) Rear: 1 x 120 mm, 1 x 140 mm Right: 1 x 360 mm, 1 x 420 mm (AIO: 1 x360 mm, 1 x 280 mm) Bottom: 1 x 240 mm
Clearance	CPU cooler height limitation: 200 mm VGA length limitation: 310 mm (With HDD Rack) 410 mm (Without HDD Rack) PSU length limitation: 220 mm (Without Bottom Fan)

Accessory

Figure	Part Name	Q'ty	Use For
	Stand-off #6-32 x 6.5 mm	8	For Motherboard
	Screw #6-32 x 6 mm	4	For PSU
	Screw #6-32 x 5 mm	50	For MB / 3.5" HDD
	Screw M3 x 5 mm	40	For SSD / 2.5" HDD
	Nut setter	1	For MB Stand-off
	Screw Ø5 x 12 mm	8	For Case Fan
	Thumb Screw #6-32 x 5 mm	2	Backup
	Screw M3 x 39 mm	16	For 200 mm Fan
	Screw Ø3 x 8 mm	1	Strip stand
	PSU Cover strip stand	1	VGA bracket base
	PSU strip stand	1	VGA bracket base
	200 mm Fan stand	4	For Top 200 mm Fan
	Rubber Ø14 x 5 mm	4	For PSU
	Cable Ties	10	Cable Management
	Buzzer	1	Motherboard Alarm
	Key	2	Glass side panel
	MB Signal Bridge Cable (ASUS/MSI)	1	LED Signal Sync
	MB Signal Bridge Cable (GIGABYTE)	1	LED Signal Sync

Warning and Notice



Warning!!

CPU Cooler Height Limitation:

Please ensure that your CPU cooler does NOT exceed 200 mm (7.9 inches) height.

VGA (Add-on card) Length Limitation:

Please ensure that your VGA (Add-on card) does NOT exceed 410 mm (16.14 inches) length.

Warnung!!

CPU-Kühler Höhenbeschränkung:

Bitte stellen Sie sicher, dass Ihr CPU-Kühler 200 mm (7,9 Zoll) Höhe nicht überschreitet.

VGA (Add-on-Karte) Längenbeschränkung:

Bitte stellen Sie sicher, dass Ihre VGA (Add-on-Karte) 410 mm (16,14 Zoll) Länge nicht überschreitet.

Avertissement !

Limite de hauteur du ventilateur de CPU :

Vérifiez que la hauteur du ventilateur de CPU ne dépasse pas 200 mm.

Limite de longueur de la carte (complémentaire) VGA :

Vérifiez que la longueur de votre carte (complémentaire) VGA ne dépasse pas 410 mm

Precaución

Limitación de altura del refrigerador de CPU:

Asegúrese de que la altura de su refrigerador de CPU no excede los 200 mm (7,9 pulgadas).

Limitación de longitud de la tarjeta de vídeo (adicional):

Asegúrese de que la longitud de su tarjeta de vídeo (adicional) no excede los 410 mm (16,14 pulgadas).

Attenzione!

Limitazione altezza dissipatore CPU:

Assicurarsi che l'altezza del dissipatore CPU NON superi 200 mm (7,9 pollici).

Limitazione lunghezza VGA (scheda aggiuntiva):

Assicurarsi che la lunghezza del VGA (scheda aggiuntiva) NON superi 410 mm (16,14 pollici).

Atenção!!

Limite de altura para o dissipador do CPU:

O limite de altura para o dissipador do CPU é 200 mm (7,9 polegadas).

Limite de comprimento para VGA (placa gráfica):

O limite de comprimento para VGA (placa gráfica) é 410 mm (16,14 polegadas).

警告！！

CPU 冷卻器的高度限制：

請確保 CPU 冷卻器的高度不超過 200 mm (7.9 英寸)。

VGA (附加介面卡) 的長度限制：

請確保 VGA (附加介面卡) 的長度不超過 410 mm (16.14 英寸)。

警告！！

CPU 散热器高度限制：

请确保 CPU 散热器的高度不超过 200 mm (7.9 英寸) 。

VGA (附加卡) 长度限制：

请确保 VGA (附加卡) 的长度不超过 410 mm (16.14 英寸) 。

警告

CPUクーラーの高さ制限:

CPUクーラーの高さが200mmを超えていないことを確認してください。

VGA (アドオンカード) の長さ制限:

VGA (アドオンカード) の長さが410mmを超えていないことを確認してください。

Внимание!

Ограничение по высоте охладителя ЦП

Убедитесь, что высота охладителя ЦП (центрального процессора) НЕ превышает 200 м (7,9 дюйма).

Ограничение по длине видеокарты VGA (плата расширения)

Убедитесь, что длина видеокарты VGA (плата расширения) НЕ превышает 410 мм (16,14 дюйма).

Uyar!!

CPU Soğutucu Yükseklik Sınırlaması:

Lütfen CPU soğutucunuzun yüksekliğinin 200mm'yi (7,9 inç) GEÇMEDİĞİNDEN emin olun.

VGA (Eklenli kart) Uzunluk Sınırlaması:

Lütfen VGA'nızın (Eklenli kart) uzunluğunun 410mm'yi (16,14 inç) GEÇMEDİĞİNDEN emin olun.

คำเตือน!!

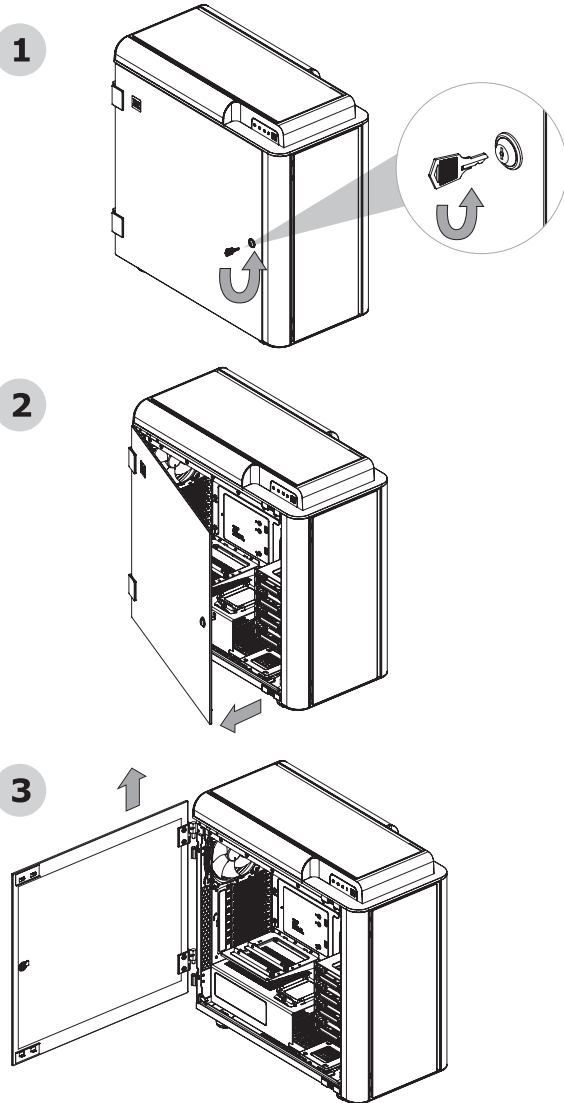
ขีดจำกัดความสูงสำหรับฮีตซิงก์ของ CPU:

ขีดจำกัดความสูงสำหรับฮีตซิงก์ของ CPU คือ 200 มม. (7.9 นิ้ว)

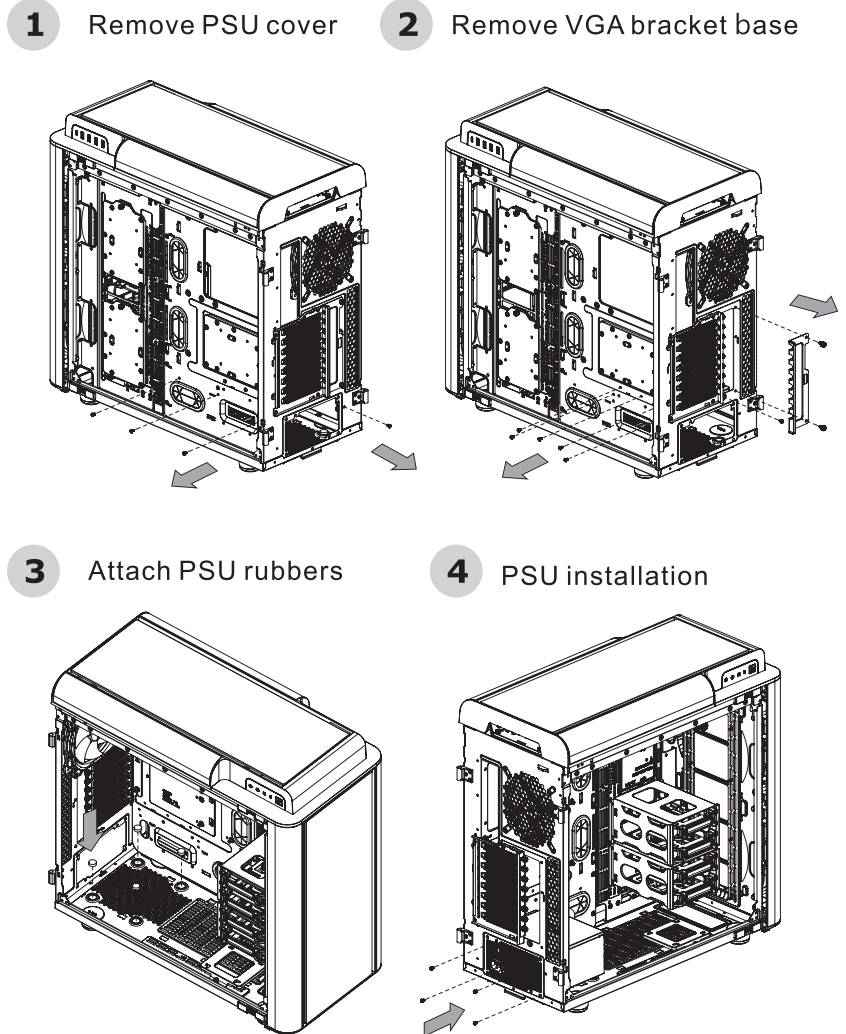
ขีดจำกัดความยาวสำหรับ VGA (การ์ดแสดงผล):

ขีดจำกัดความยาวสำหรับ VGA (การ์ดแสดงผล) คือ 410 มม. (16.14 นิ้ว)

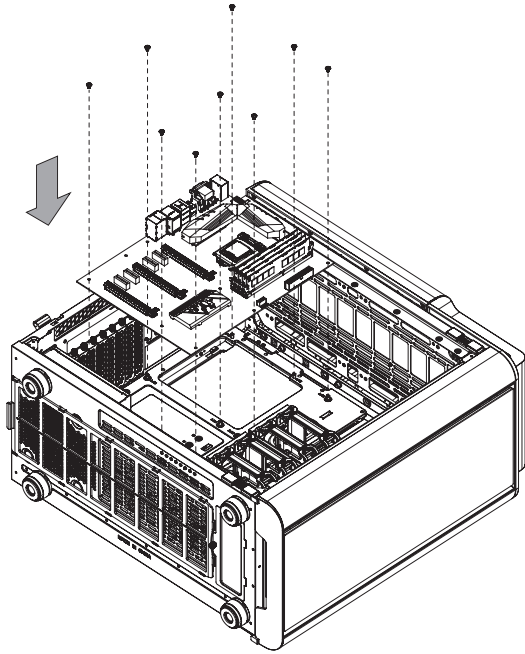
Side Panels Disassembly



Power Supply Unit (PSU) Installation



Motherboard Installation

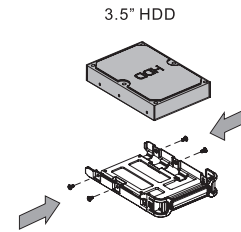


Note:

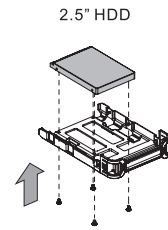


3.5" & 2.5" HDD Installation

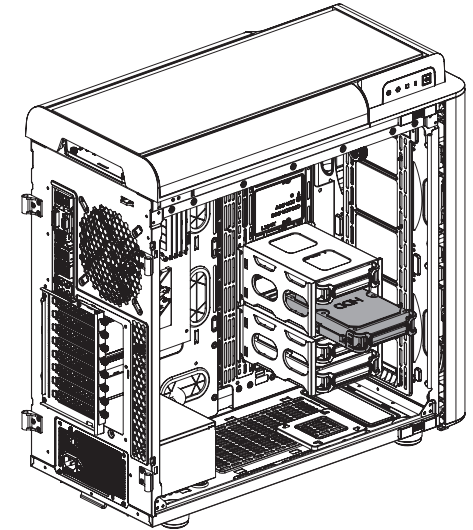
In front of M/B Tray



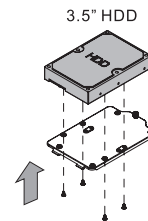
3.5" HDD



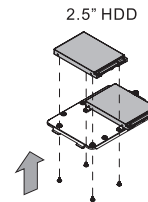
2.5" HDD



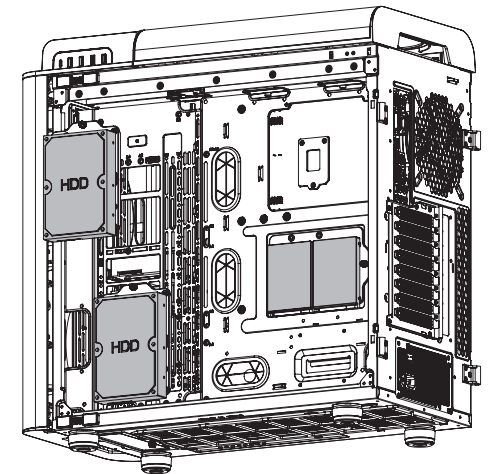
Behind M/B Tray B



3.5" HDD

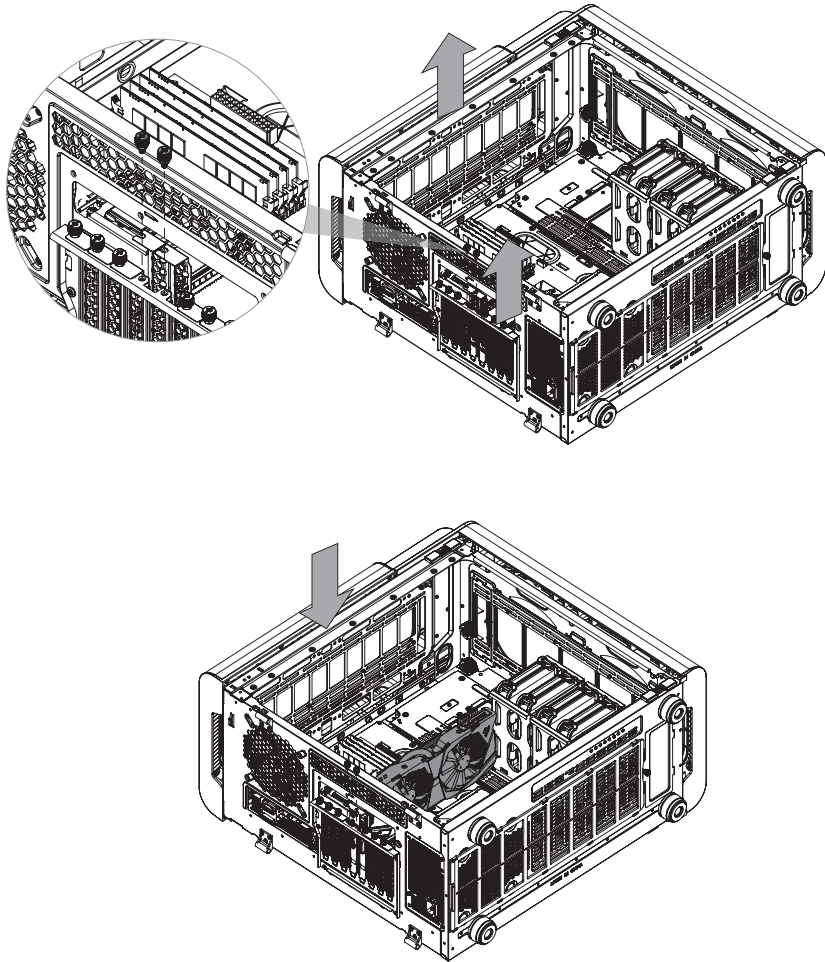


2.5" HDD



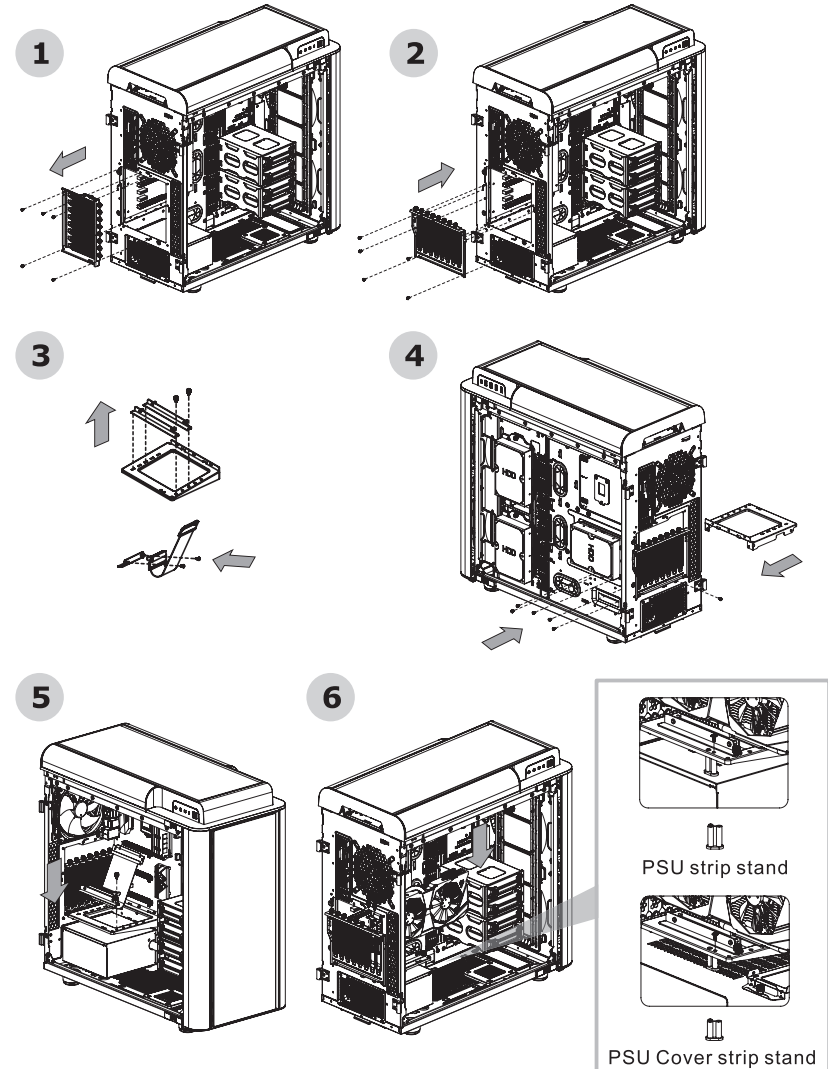
PCI Card Installation

TypeA Traditional GPU installation

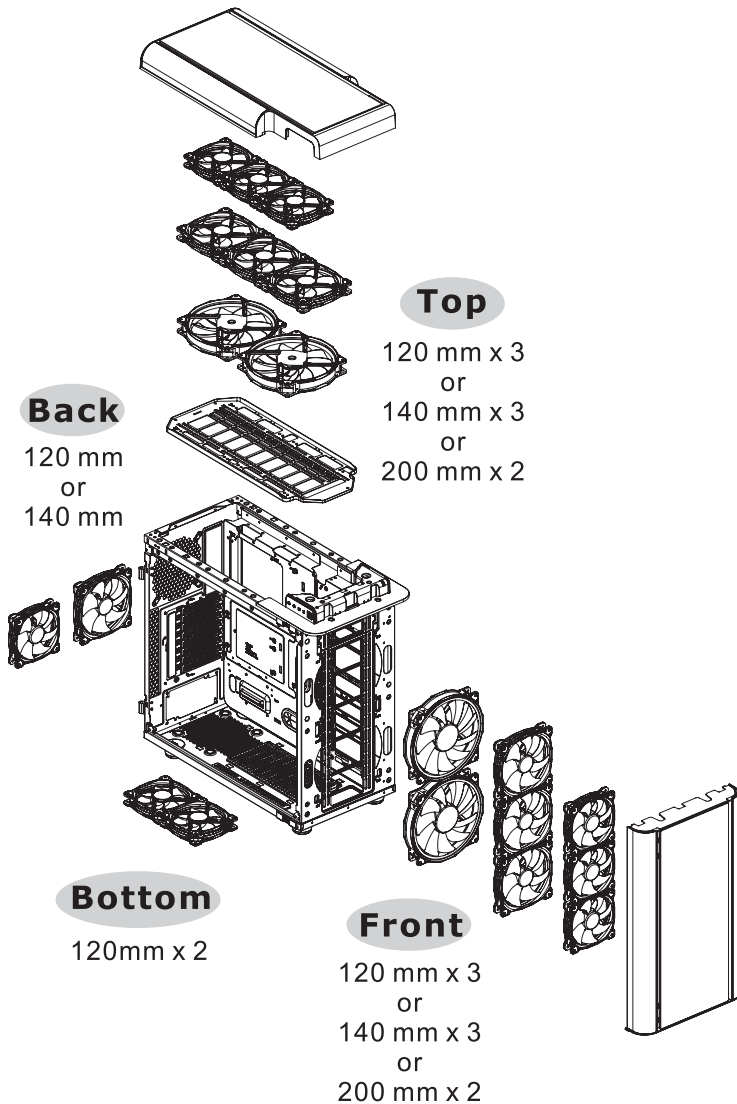


TypeB (Optional) Vertical GPU installation

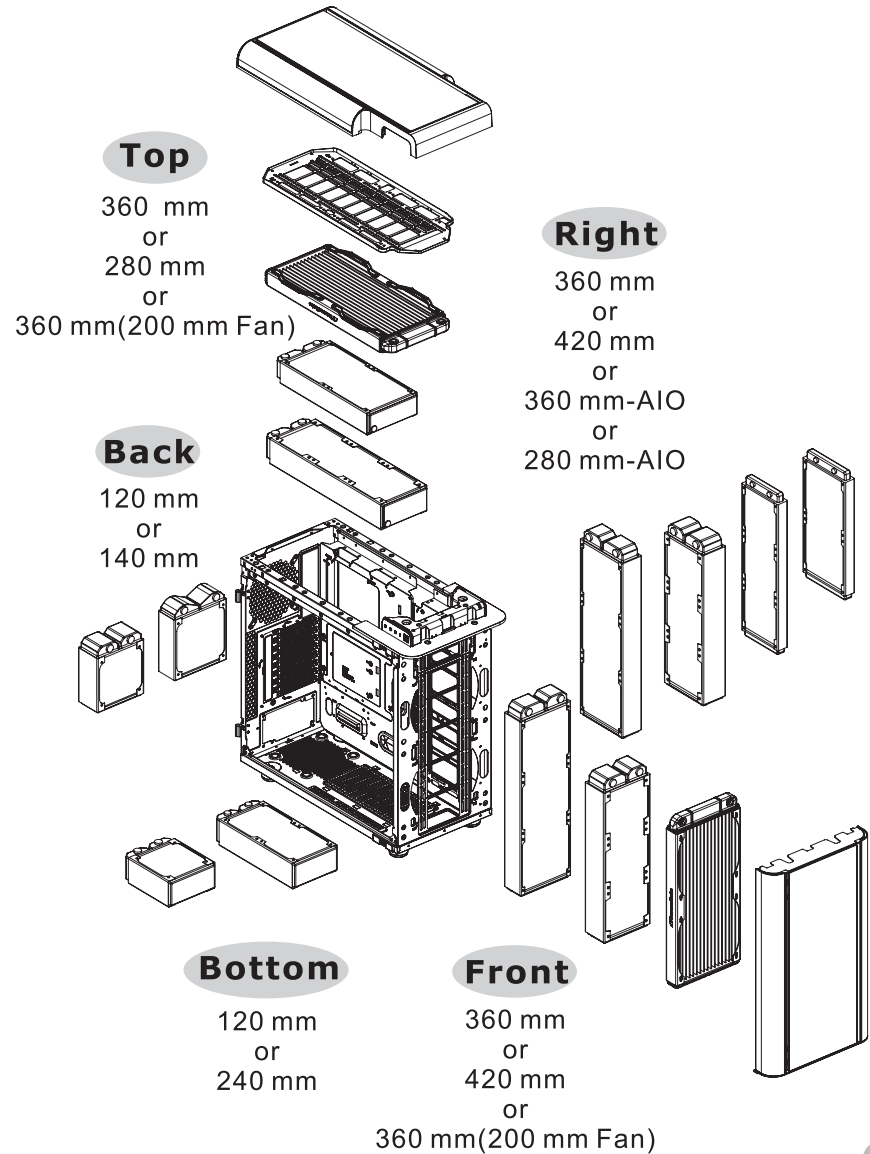
※Riser Cable is not included



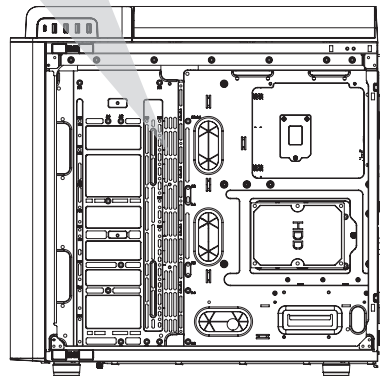
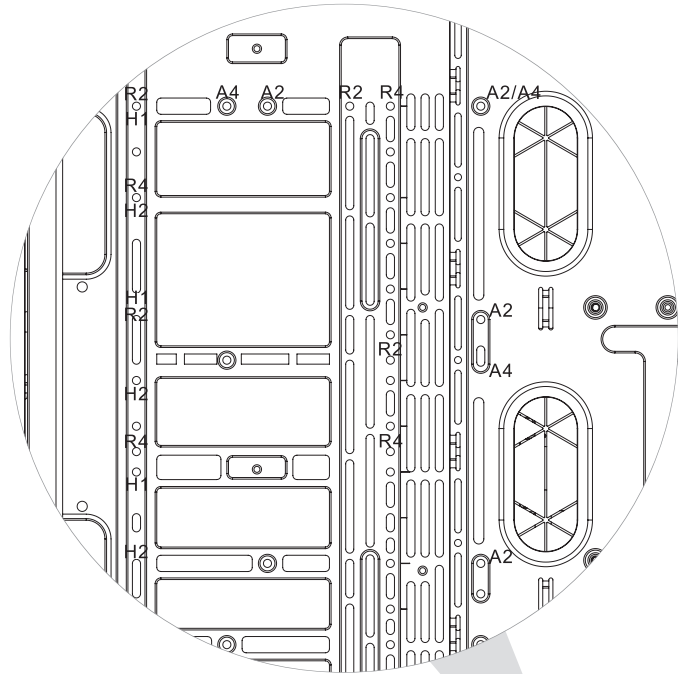
Air Cooling Installation



Liquid Cooling Installation



Liquid Cooling Installation - Right side

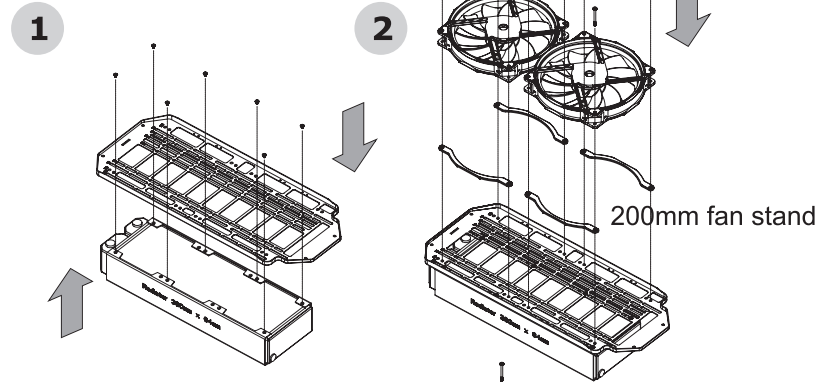


- R2: Radiator 120 mm series
- R4: Radiator 140 mm series
- A2: AIO Radiator 120 mm series
- A4: AIO Radiator 140 mm series
- H1,H2: HDD Cage Location

Liquid Cooling Installation - 200mm Fan

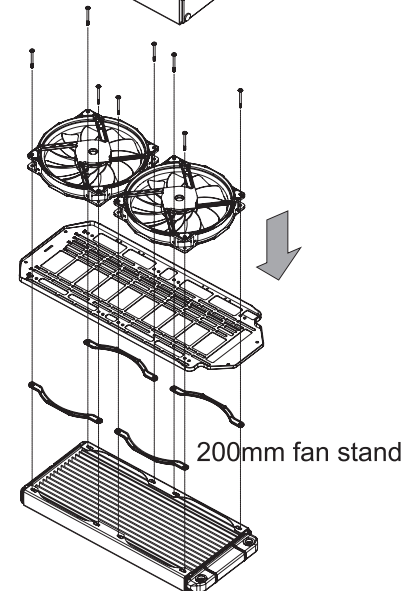
Scenario 1

360 mm Radiator (120 mm series)
+ 200 mm Fan x 2



Scenario 2

360 mm Radiator (180 mm series)
+ 200 mm Fan x 2



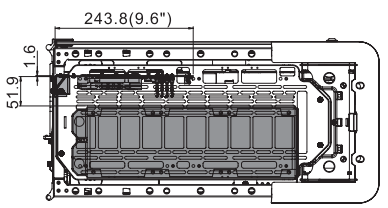
Max Radiator Installation Notice

Top Radiator Installation Notice

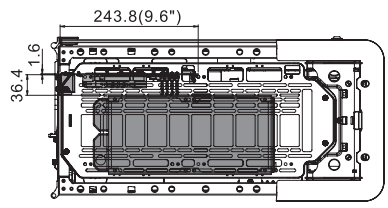
※Please consult radiator & memory height for proper installation
 安裝前請參考水冷排與記憶體高度

Radiator: 360 mm x 64 mm (T/F) Radiator: 280 mm x 55 mm (T)
 420 mm x 55 mm (F)

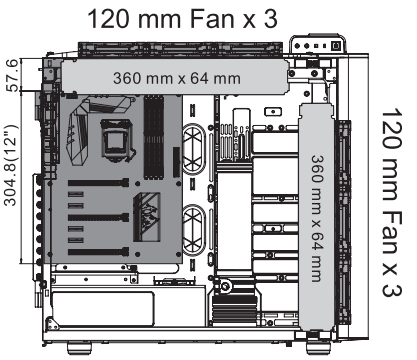
Offset



Offset

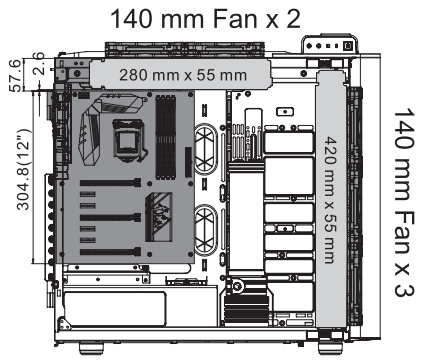


Top



Front

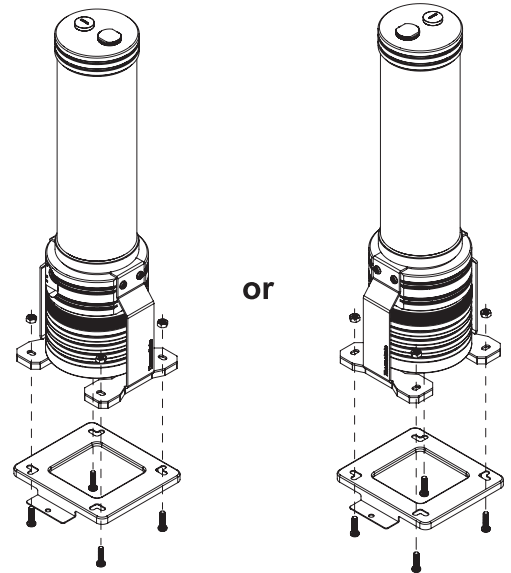
Top



Front

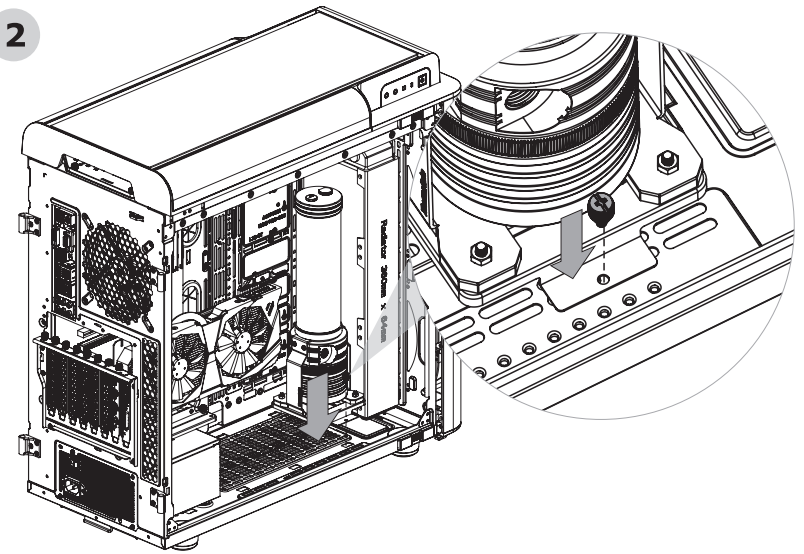
Pump Installation

1



or

2



Thermaltake Power Supply Series (Optional)



What is Smart Power Management (SPM)?

Smart Power Management (SPM) is a cloud-based software that seamlessly integrates three intelligent platforms – DPS G PC APP 3.0, DPS G Smart Power Management Cloud 1.0 and DPS G Mobile APP 1.0 – and compiles key statistics about your PC into detailed charts and breakdowns for your instant PC status view and management. With easy access to SPM through your PC or mobile devices, whether you are outside or indoors, enjoy taking full control of your build anytime, anywhere!



Thermaltake has several power supply product lines; please refer to our official website and Facebook Fan Page for more detail information!

Brand official website:

<http://www.thermaltake.com/>

Global Facebook :

<https://www.facebook.com/ThermaltakeInc>

Taiwan Facebook

<https://www.facebook.com/ThermaltakeTW>



Learn more about SPM

Tt RGB Plus Ecosystem



Tt RGB Plus Software

Thermaltake's patented software to synchronize TT RGB PLUS products with addressable LEDs.

Tt AI Voice Control

Give you full control over the TT RGB PLUS products with your voice.



SyncALL, Say "Hello TT"



Download on the App Store



GET IT ON Google play



Learn more about TT RGB Plus

Internal USB Connection

English

Leads Installation Guide

Case LED Connection / On the front of the case, you can find some LEDs and switch leads. Please consult your user manual of your motherboard manufacturer, then connect these leads to the panel header on the motherboard.

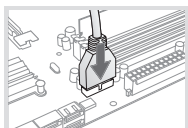
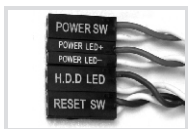
USB 2.0 Connection / Please consult your motherboard manual to find out the section of "USB connection".

USB 3.0 connection /

1. Make sure your motherboard supports USB 3.0 connection.
2. Connect the USB 3.0 cable to the available USB 3.0 port on your computer.

Audio Connection / Please refer to the following illustration of Audio connector and your motherboard user manual.

Please select the motherboard which used AC'97 or HD Audio(Azalia),(be aware of that your audio supports AC'97 or HD Audio (Azalia)) or it will damage your device(s).



USB 3.0 Connection

L-OUT		SENSE2
SENSE		KEY
R-OUT		SENSE1
MIC-POWER		PRESENSE
MIC-IN		GND

AUDIO AZALIA Function

L-OUT		L-RET
		KEY
R-OUT		R-RET
MIC-POWER		
MIC-IN		GND

AUDIO AC'97 Function

Note:
