

Infortrend EonStor DS 1000 Gen2 Series Hardware Manual

Version 1.0

Legal Information

All Infortrend products, including the product customers have purchased from Infortrend, shall be subject to the latest Standard Warranty Policy available on the Infortrend website: <http://www.infortrend.com/global/Support/Warranty>

Infortrend may from time to time modify, update or upgrade the software, firmware or any accompanying user documentation without any prior notice. Infortrend will provide access to these new software, firmware or documentation releases from certain download sections of our website or through our service partners. Customer shall be responsible for maintaining updated version of the software, firmware or other documentation by downloading or obtaining from Infortrend, and installing designated updated code, including but not limited to firmware, microcode, basic input/output system code, utility programs, device drivers, and diagnostics delivered with Infortrend product.

Before installing any software, applications or components provided by a third party, customer should ensure that they are compatible and interoperable with Infortrend product by checking in advance with Infortrend. Customer is solely responsible for ensuring the compatibility and interoperability of the third party's products with Infortrend product. Customer is further solely responsible for ensuring its systems, software, and data are adequately backed up as a precaution against possible failures, alternation, or loss.

For any questions of hardware/ software compatibility, and the update/ upgrade code, customer should contact Infortrend sales representative or technical support for assistance.

To the extent permitted by applicable laws, Infortrend shall NOT be responsible for any interoperability or compatibility issues that may arise when (1) products, software, or options not certified and supported by Infortrend are used; (2) configurations not certified and supported by Infortrend are used; (3) parts intended for one system are installed in another system of different make or model.

Contact Information

Customer Support Contact your system vendor or visit the following support sites.

- [EonStorDS Support](#)

**Headquarters
(Taiwan)**

Infotrend Technology, Inc.

8F, No. 102, Sec. 3, Jhongshan Rd., Jhonghe Dist., New Taipei City 235, Taiwan

Tel: +886-2-2226-0126 Fax: +886-2-2226-0020 [Email](#), [Technical Support](#), [Website](#)

Japan

Infotrend Japan, Inc.

6F Okayasu Bldg., 1-7-14 Shibaura, Minato-Ku, Tokyo, 105-0023 Japan

Tel: +81-3-5730-6551 Fax: +81-3-5730-6552 [Email](#), [Technical Support](#), [Website](#)

Americas

Infotrend Corporation

435 Lakeside Dr. Sunnyvale, CA. 94085, USA

Tel: +1-408-988-5088 Fax: +1-408-988-6288 [Email](#), [Technical Support](#), [Website](#)

China

Infotrend Technology, Ltd.

北京市朝阳区东四环中路远洋国际中心 D 座 403 室

Tel: +86-10-6310-6168 Fax: +86-10-59648252 [Email](#), [Technical Support](#), [Website](#)

Europe (EMEA)

Infotrend Europe LTD.

5 Ringway Centre, Edison Road, Basingstoke, Hampshire, RG21 6YH, UK

Tel: +44-1256-305-220 Fax: +44-1256-305-221 [Email](#), [Technical Support](#), [Website](#)

Copyright Notice

All rights reserved. This publication may not be reproduced, transmitted, transcribed, stored in a retrieval system, or translated into any language or computer language, in any form or by any means, electronic, mechanical, magnetic, optical, chemical, manual or otherwise, without the prior written consent of Infortrend Technology, Inc.

Disclaimer

Infortrend Technology makes no representations or warranties with respect to the contents hereof and specifically disclaims any implied warranties of merchantability or fitness for any particular purpose. Furthermore, Infortrend Technology reserves the right to revise this publication and to make changes from time to time in the content hereof without obligation to notify any person of such revisions or changes. Product specifications are also subject to change without prior notice.

Trademarks

Infortrend, the Infortrend logo, SANWatch, ESVA, EonStor DS, EonNAS, and EonPath are registered trademarks of Infortrend Technology, Inc. Other names prefixed with “IFT” and “ES” are trademarks of Infortrend Technology, Inc.

- Windows is a registered trademark of Microsoft Corporation.
- Mac OS X is a registered trademark of Apple Computer, Inc.
- Linux is a trademark of Linus Torvalds.

All other names, brands, products or services are trademarks or registered trademarks of their respective owners.

Safety Precautions

Read these instructions carefully before you install, operate, or transport the EonStor DS storage system and expansion enclosures.

Installation and Operation

- Install the rack cabinet and the associated equipment at a site where the ambient temperature (special room cooling equipment may be required) stays lower than:
 - a. **35°C** ~ if your system have a BBU (all dual controller systems come with BBU by default)
 - b. **40°C** ~ if your system does not have a BBU
- Install the power source socket outlet near the enclosure where it is easily accessible and ground the rack cabinet.
- Secure airflow clearance inside and around the rack cabinet.
 - Secure an 18 to 20cm clearance on the rear side.
 - Do not cover the enclosure openings.
 - Route the cables inside the rack cabinet.
 - Do not leave drive bays empty as it will affect airflow efficiency.
- Secure each enclosure module using its retaining screws.
- Place power cords and other cables away from foot traffic. Do not place items on top of power cords and make sure they do not rest against data cables.
- Install all modules to the enclosure before powering-on systems.
- Ensure that the correct power range is being used before powering-on.
- DO NOT remove covers or replaceable modules if they are not faulty.
- If the system is not going to be used for a long period of time, disconnect it from the power mains to avoid transient over-voltage.
- For power source redundancy, please make sure that the two PSUs are plugged into two different power sources (ie. different circuit breakers).

Service and Maintenance

- Keep the faulty module in place until you have a replacement unit; an empty module greatly affects the airflow efficiency within the enclosure.
- During service operation, place the enclosure on soft and clean surface to prevent exterior damage. Do not place tools or other items on top.
- When transporting the enclosure, repackage all disk drives separately in the original package foam blocks. Replaceable modules can stay in the enclosure if you are using the original package; if not, repackage them separately as well.
- Disconnect the power cords before servicing or cleaning the enclosure.
- Use a slightly moistened paper sheet or cloth for cleaning. Avoid using liquid or sprayed detergent.
- When replacing components, insert them as gently as possible while assuring full engagement. Vibration and shock can easily damage hard drives.
- Only qualified service personnel should open the enclosure.
- Contact service personnel if any of the following situations occurs:
 - The power cord or plug is damaged.
 - The enclosure has been exposed to moisture.
 - The system has not been working properly.
 - The enclosure was dropped against a hard surface.
 - The enclosure shows obvious signs of breakage.
- To move the enclosure, more than one person might be necessary due to its weight. Drives should be removed from the enclosure beforehand.

Important Notice

The use of Infortrend certified components is strongly recommended to ensure compatibility, quality and normal operation with your Infortrend products. Please contact your distributor for a list of Infortrend certified components (eg. SFP, SFP+, HBA card, iSCSI cable, FC cable, memory module, etc.).

ESD Precautions

- Handle the modules by their retention screws, ejector levers, or the module's metal frame/faceplate only. Avoid touching the PCB boards or connector pins.
- Use a grounded wrist strap and an anti-static work pad to discharge static electricity when installing or operating the enclosure.
- Avoid dust, debris, carpets, plastic, vinyl, and styrofoam in your work area.
- Do not remove any module or component from its anti-static bag before installation takes place.
- Drives must not be stacked on top of each other without their protective drive trays. Even when drives are fixed in the drive trays, contacting the exposed PCB or rear-side interface may damage the drives.



About This Manual

The manual introduces hardware components of EonStor DS 1000 Gen2 series storage systems and expansion enclosures. It also describes how to install, monitor, and maintain them.

For non-serviceable components, please contact our [support site](#).

Firmware operation: Consult the Firmware User Manual on the CD-ROM.

SANWatch software: Consult the SANWatch User Manual on the CD-ROM.

Revision History

Version	Date	Description
1.0	July 2017	Initial release

Table of Contents

Legal Information	2
Contact Information	3
Copyright Notice	4
Safety Precautions	5
Installation and Operation	5
Service and Maintenance	6
Important Notice	6
ESD Precautions	7
About This Manual	8
Revision History	8
Introduction	13
Product Overview	13
Model Naming Conventions	13
Model Variations	14
Major Components	15
Controller and Interface.....	15
Expansion Enclosure Controller and Interface.....	15
Power Supply Unit with Built-in Cooling Module	16
The Rear Panel	17
Dual Controller Models.....	17
Single-Controller Models	18
Connection between Storage Systems and Expansion Enclosures	18
Chassis	19
Front Panel.....	19
Rear Panel	21
Internal Backplane.....	22
Front Panel Components	23
LED Panel	23
Drive Tray Bezel	24
Rear Panel Components	25
Cache Backup Module (CBM).....	26
Super Capacitor & Flash Backup Module	27
PSU & Cooling Module	28
System Monitoring Features	29
Expansion Enclosure Support.....	29
I ² C bus	30
Firmware (FW) and SANWatch.....	30
Audible Alarms	30
Hot-swapping	31



Hardware Installation	32
Installation Prerequisites	32
Installation Procedures Overview	33
Unpacking the System	34
Box Contents	34
Preinstalled Components	34
Components to be Installed.....	34
Installing Hard Drive	35
Hard Drive Installation Prerequisites	35
SAS Interface	37
Hard Drive Designation	38
Installing the Hard Drive into Drive Tray.....	39
Installing the Hard Drive Tray into the Enclosure	40
Installing CBM	41
Removing the Controller	41
Flash Backup Module & Battery Backup Unit	42
Flash Backup Module Installation	42
Battery Backup Unit (BBU) Installation	44
Super Capacitor & Flash Backup Module Installation	46
Flash Backup Module Installation	46
Installing the Super Capacitor	48
Installing the Controller.....	50
System Connection	51
General Considerations on Making Connections	51
Host-Side Topologies	52
Host-Side Parameters.....	52
Maximum Concurrent Host LUN Connection (“Nexus” in SCSI)	53
Maximum Queued I/O Count	54
Fibre-Host RAID Connections	55
Fibre-Host Components (including 10GB iSCSI).....	55
Fibre-Host Topologies	57
Fibre Cabling	58
Simple End-to-End Connection.....	59
DAS (Direct-Attached) Connection	61
Switched Fabric Connection (Dual-Controller).....	63
Switched Fabric Connection (Single-Controller)	66
SAS-Host Connections	69
DAS (Direct-Attached Storage) Connection with Redundant Host Path.....	70
DAS (Direct-Attached Storage) Connection to Two Servers	72
iSCSI-Host Connections	73
Network & Host Connection Topologies.....	74
High Availability IP SAN with Redundant Controller	75
Single-Controller with Fault-Tolerant Path	77
High Availability IP SAN (Recommended Cabling Method for Remote Replication).....	78
High Availability IP SAN with Port Trunk (Remote Replication Enabled)	80
Hybrid Host Connections	82
Single Hybrid Unit Connected to FC/iSCSI Hosts.....	82
Utilizing Hybrid iSCSI ports for Data Replication	83
Expansion Enclosure Connections	84
SAS Expansion Enclosure Configuration.....	85
Configuration Rules.....	86
Dual Controller Expansion Connection	88
Single Controller Expansion Connections.....	89
Management Console Connections	90

Power Connections	92
Checklist.....	92
Connecting Power Cords	93
Power On Procedure.....	93
Power On Status Check	94
Power Off Procedure.....	95
System Monitoring	96
Monitoring Features	96
LED Panel LEDs	97
Drive Tray LED	99
Controller LED	100
Controller LED for Storage Systems	100
iSCSI / Ethernet Management Port LEDs	102
10Gb iSCSI Host Port LEDs (Fibre).....	103
10Gb iSCSI Host Port LEDs (RJ45).....	103
8Gb Fibre-Host Port LEDs	104
16Gb Fibre Channel Host Port LEDs	105
12G SAS-Host Port LEDs	106
PSU / Cooling Module LEDs	107
Alarms and I2C Bus	108
Audible Alarms	108
I ² C.....	108
Restoring Default System Settings	109
Restoring Default Settings	109
System Maintenance	111
Replacing the Controller Module(s): Single / Dual / Simultaneous Upgrade ..	112
Replacing the Controller Host Board	115
Replacing the Memory Module on Storage Systems	116
Replacing the CBM for Storage Systems	118
BBU Fault Conditions and Precautions.....	119
Replacing the Battery Backup Unit (BBU)	120
Replacing the Flash Backup Module (FBM)	121
Replacing Super Capacitor and Flash Backup Module	122
Super Capacitor Fault Conditions and Precautions	123
Replacing the Super Capacitor	124
Replacing Flash Backup Module (coupled with SuperCap).....	125
Replacing the Power Supply Module / Cooling Module	126
Detecting a Failed PSU	126
Replacing the Power Supply Unit (PSU).....	127
Replacing a Hard Drive	129
Appendix	132
Technical Specifications	132
Host/Drive Interface.....	132
Power Supply	133
Dimensions.....	134
Environment	135
Certifications	136
Summary	136



Slide Rail Kit Installation Guide	138
Slide Rail Kits	138
Enclosure Installation Prerequisites	138
Unpacking the System	139
Component Installation Procedure	139
Tools Required	139
Rack Ear Mount Kit	140
Kit Contents	140
Installation Procedure.....	141
Slide Rail Kit	143
Kit Contents.....	143
Once Mounted	146

Introduction

Product Overview

This manual introduces EonStor DS 1000 Gen2 systems that support 6Gbps, 12Gbps SAS or 6Gbps (SATA-III) drive interfaces. The 2U / 3U / 4U enclosure is designed to utilize 2.5" or 3.5" hard drives. Drive capacity can be expanded by attaching hard drive expansion enclosures.

Model Naming Conventions

The naming rules for storage systems and expansion enclosure models are explained in the example below:

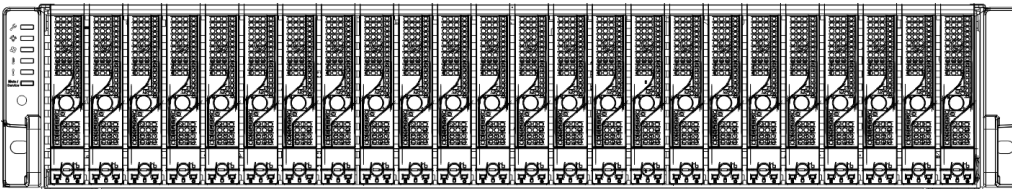
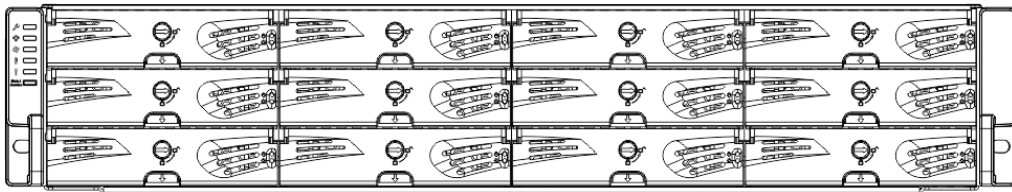
DS1024R2B → **DS^(A) + 10^(B) + 24^(C) + R^(D) + 2^(E) + L^(F) + B^(G)**

Designation	Description
(A)	DS = EonStorDS systems JB = Expansion enclosures
(B)	10 where 0 indicates first generation, 1 indicates second generation and so on
(C)	12 = 2U system, 12 hard drives capable 16 = 3U system, 16 hard drives capable 24 = 2U / 4U systems, 24 hard drives capable
(D)	R = Redundant (dual) controllers G = Single and NOT upgradeable to dual controllers
(E)	2 = Gen2 Models
(F)	L = Models with BBU C = Models with super capacitor Without any CBM if not mentioned
(G)	B = 2.5" hard drive form factor system 3.5" hard drive form factor system if not mentioned

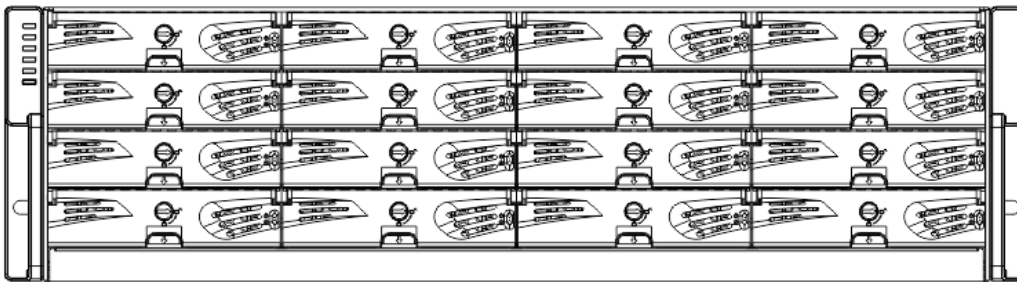


Model Variations

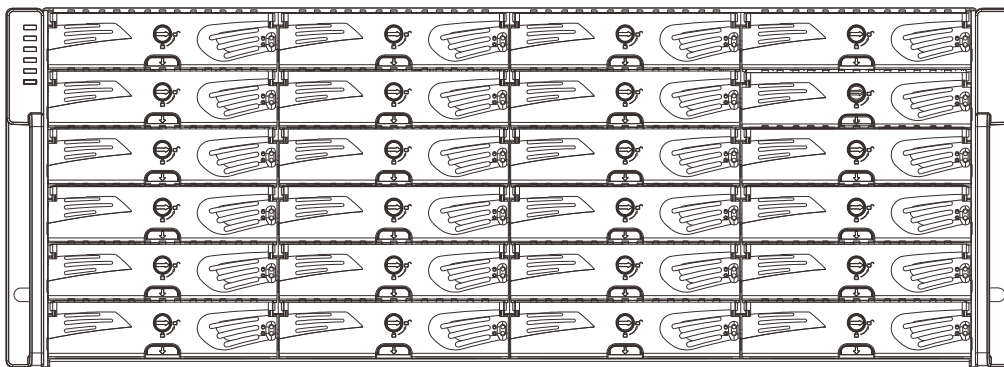
Comprised of storage system and expansion enclosure models, the storage systems store hard drives and control the entire storage system while expansion enclosures connect to a master storage system and can expand storage capacities by adding more hard drives. All systems are compatible with SAS-3 and SATA-III hard drives. However hard drive limitation(s) may vary model to model.



2U systems



3U systems



4U systems

Major Components



NOTE

Upon receiving your system, check the package contents against the included **Unpacking List**. If module(s) are missing, contact your system vendor immediately.

The Cache Backup Module (CBM) is an optional feature in single controller systems.

Controller and Interface

Each controller comes with a pre-installed DIMM module.

The traditional battery backup is replaced by an innovative Cache Backup Module methodology (CBM) which consists of a battery backup unit (BBU) and flash backup module (FBM). Cached data is quickly distributed to a flash backup module with the support of a BBU in the event of a power outage. With a super capacitor and flash backup module combination cached data will be quickly distributed to a flash backup module for permanent storage in the event of a power outage. The advantage of a super capacitor is its very fast charging time. The super capacitor is charged within a few minutes and available to distribute power to the controller. So the cached data can be saved immediately and permanently in flash backup module (FBM).

The embedded firmware features intelligent algorithms, such as power-saving modes, variable fan speeds and exiled drive handling.

Expansion Enclosure Controller and Interface

The enclosure is managed by expander controllers that distribute data flow to individual disk drives and report operating status through a proprietary enclosure service via in-band protocols. The enclosure, along with other expansion enclosures, connects to a storage system and serves as a building block of a scalable configuration.

Expansion enclosures feature SAS interfaces that provide ease of cabling Mini-SAS HD connectors. With a backplane adapting SAS connectors, the system is ideal for adding large storage capacities to a storage pool.



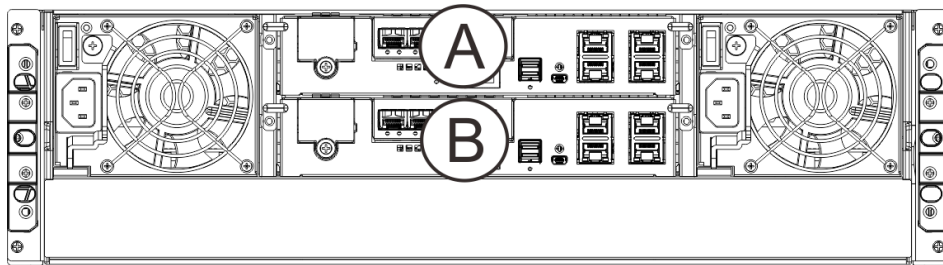
Power Supply Unit with Built-in Cooling Module

Two cooling modules built into the power supply unit (PSU) protect the system from overheating, and two hot-swappable PSUs provide constant power to the system. The modular nature of the system and the easy accessibility to all major components ensure ease of maintenance.

The Rear Panel

Dual Controller Models

Dual controller systems are indicated by an “R” in their model number (please refer to [Model Naming Conventions](#)). Controller A is located on top and controller B at the bottom for dual controller models. In dual controller configuration, if one controller fails, the second controller module will take over in a manner that is transparent to application servers.



The top controller (Controller A) is the primary controller. The bottom controller (Controller B) is the secondary (= redundant) controller which is idle during normal operation and takes over the management role when Controller A cannot function properly due to hardware error, controller module removal, etc.

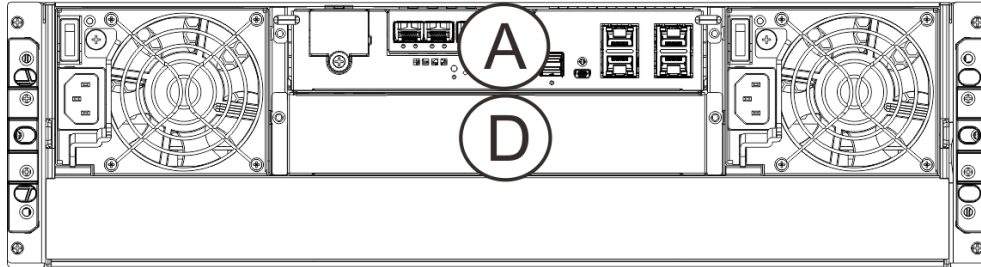
If the failed Controller A restarts or a replacement is installed, Controller A will temporarily assume the role of the secondary controller.

When the storage system is rebooted, all system configurations will revert back to the default state and Controller B returns the primary role back to Controller A.



Single-Controller Models

Single-controller models are designated by a “G” in their model number. The second controller slot is filled with a dummy cage (D).



Connection between Storage Systems and Expansion Enclosures

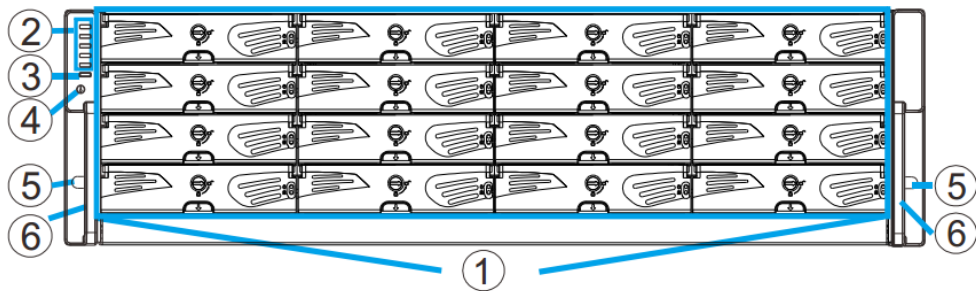
The following rule applies when connecting storage systems and expansion enclosure(s):

- Dual-controller storage system connects to dual-controller expansion enclosure.
- Single-controller storage system connects to single-controller expansion enclosure.

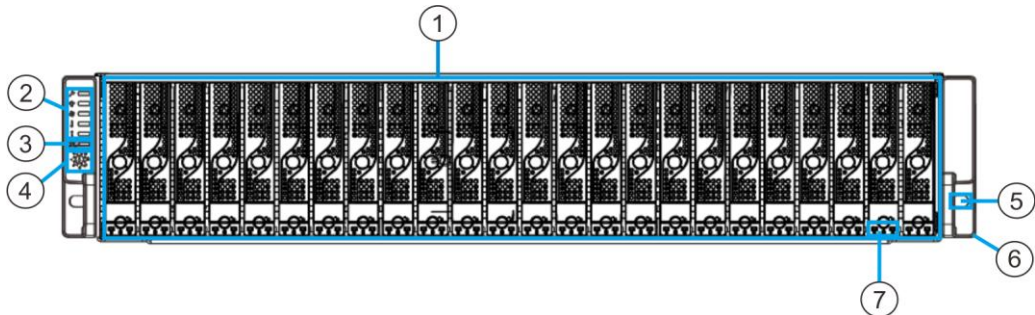
Chassis

The storage system chassis is a rugged storage chassis divided into front and rear sections. The chassis is designed to be installed into a rack or cabinet.

Front Panel



Ex. 1: 3U / 16-bay



Ex. 2: 2U / 24-bay, SFF

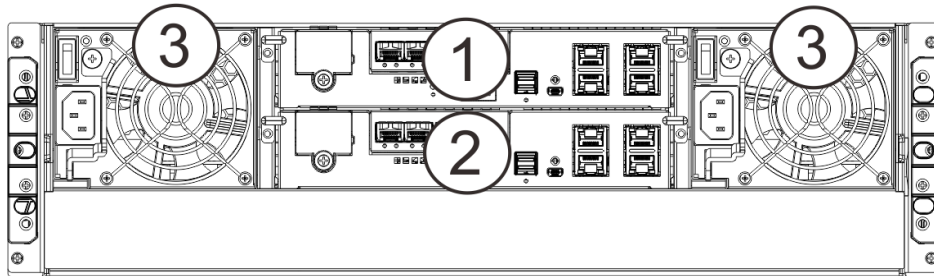
- **Hard drive trays (1):** Each drive tray is hot-swappable and holds a 2.5 / 3.5-inch hard drive.
- **LED Panel (2):** It contains Service / Power / Cooling Fan / Thermal / System LED
- **Mute button / service LED (3):** The mute button is to mute an alarm when sound or to indicate that the system requires service.
- **Rotary ID switch in expansion enclosure systems (4):** The rotary ID switch is for users to set a unique ID to each expansion enclosure when connected in a multi-array environment.



- **Handles (5):** There are handles on both sides of the enclosure for users to pull / push the enclosure out and into the cabinet when the enclosure is installed on a slide rail rackmount system.
- **Rackmount holes (6):** There are two rackmount holes (one on each side of the enclosure) for users to secure the enclosure onto the cabinet.
- **Hard drive status LED (7):** There is a set of hard drive status LEDs on each hard drive tray or right hand side or below of it to indicate operation status.

Rear Panel

#	Description	#	Description
1	Controller A	3	Power supply + cooling module
2	Controller B or dummy cage		



- **Controllers (1) / (2):** Each controller module contains a main circuit board and a pre-installed DIMM module. For the single controller model, a **dummy cage** will be placed at the controller (2) position. The host port configurations will vary. For details, see [Rear Panel Components](#).



WARNING

Do NOT remove the dummy cage for the single-controller model. Doing so will disrupt the internal airflow.

- **Power supply unit & cooling module (3):**

The hot-swappable PSUs provide power to the system. There is a cooling module within each PSU. Please refer to your specific system for details shown in the [later sections](#) of this chapter.



Internal Backplane

An integrated backplane separates the front and rear sections of the chassis. This circuit board provides logic level signals and low voltage power paths. Thermal sensors and I²C devices are embedded to detect system temperatures and PSU/cooling module operating status. This board contains no user-serviceable components.

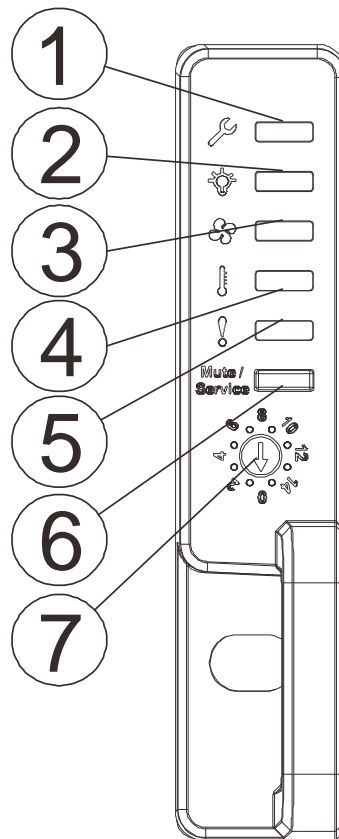


WARNING

Accessing the backplane board may lead to fatal damage of the system. Also, physical contact with the backplane board may cause electrical hazards.

Front Panel Components

LED Panel



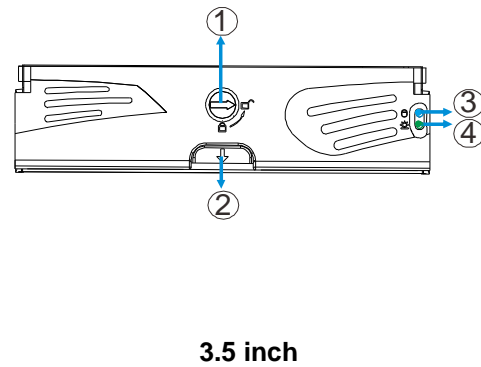
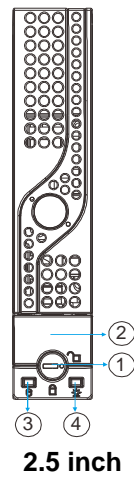
The LED panel can be located on the chassis ear. The LED panel contains Service LED (1), a power supply status LED (2), cooling module status LED (3), temperature sensor status LED (4), System fault LED (5), Mute Service button (6), rotary ID switch (for expansion enclosure only) (7). For details, please refer to [LED Panel](#).



WARNING

If critical faults are indicated on the LED panel, verify the cause of the problem as soon as possible and contact your system vendor and arrange for a replacement module.

Drive Tray Bezel



The drive tray is designed to accommodate separately purchased SAS, NL-SAS or SATA interface hard disk drives. There is a rotary bezel lock **(1)** that secures the drive tray in chassis, while a release button **(2)** can be used when retrieving disk drives from the chassis. To the right of the bezel plate, there is a drive busy LED **(3)** and a power status LED **(4)**.

Drive bay arrangements are numbered from left to right, from top to bottom.

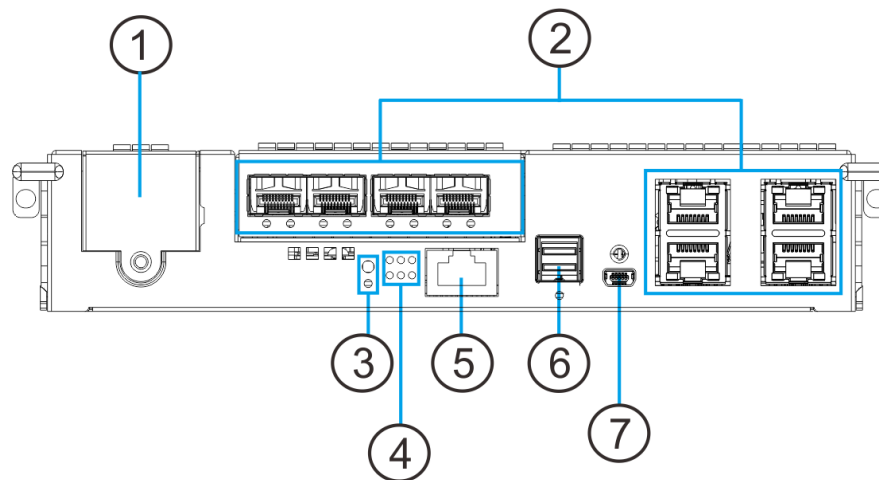


WARNING

Be careful not to warp, twist, or contort the drive tray in any way (e.g., by dropping it or resting heavy objects on it). If the drive bay superstructure is deformed or altered, the drive trays may not fit into the drive bay.

Rear Panel Components

Designation	Description	Designation	Description
1	Cache backup module	5	Ethernet management port
2	Host ports	6	SAS expansion port
3	Restore default button	7	Mini USB port (console port)
4	Controller status LEDs		



The controller on the dual controller models also features a **Cache Backup Module (CBM)**, consisting of a **Battery Backup Unit (BBU)** and **Flash Backup Module (FBM)**. The CBM and its components may be optional items for some systems.

The controller module contains no user-serviceable components except when users are installing/ upgrading the cache memory or installing/replacing a CBM, the controller module should never be removed or opened.



NOTE

The Ethernet management port supports only 100Mbps and 1000Mbps (1Gbs) speeds.
The battery backup unit (BBU) is an optional accessory for single controller systems.



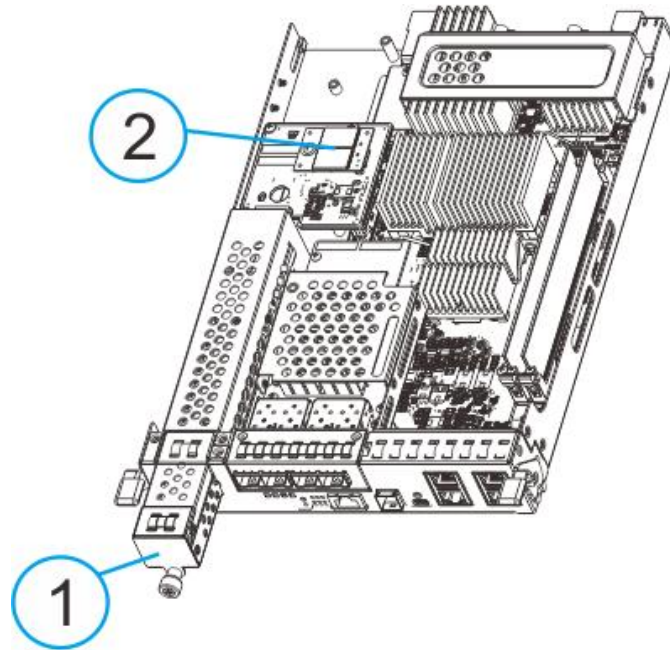
WARNING

The only time you should remove the controller is to install/replace the memory modules, CBM or a failed controller. The controller is built of sensitive components and unnecessary tampering can damage the controller.



Cache Backup Module (CBM)

The Cache Backup Module (CBM), located inside the controller, consists of a battery backup unit (BBU) (1) and flash backup module (FBM) (2). The CBM can sustain cache memory after a power failure. The use of a CBM is highly recommended in order to safeguard data integrity. If you are using the single controller models and would like to install a CBM, refer to CBM Installation.



For dual controller systems, the Cache Backup Module may be a standard feature pre-installed into the controller and an optional accessory for single controller models. The Battery Backup Unit (BBU) can be serviced by the user but the Flash Backup Module (FBM) is not serviceable by the user.

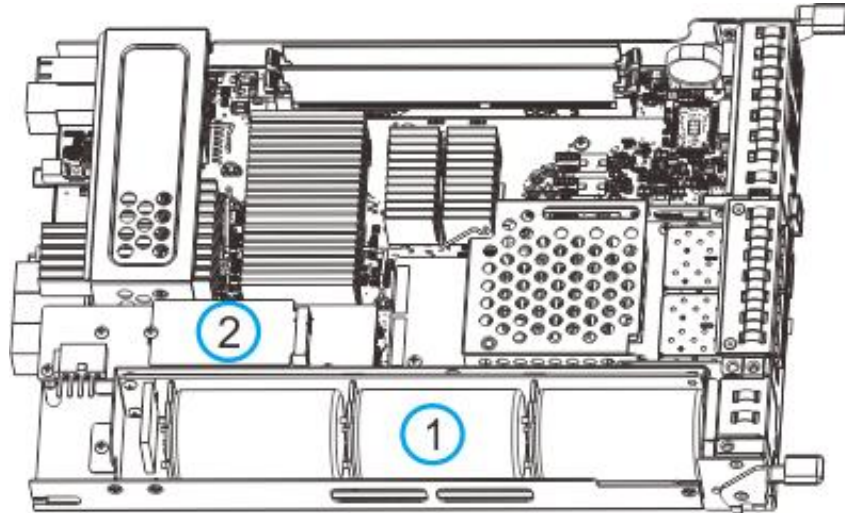


NOTE

The BBU is only charged partially when shipped. Therefore, after powering on the system the BBU will start charging to its full capacity. It normally requires approximately twelve hours for the battery to be fully charged. If the battery is not fully charged after twelve hours, there may be a problem with the BBU and you should contact your system vendor immediately. You can also check the status of the battery module via SANWatch or the firmware (please refer to respective manuals).

Super Capacitor & Flash Backup Module

The Super Capacitor (1) and flash backup module (2) can be located inside the controller and serves similar functions to a Cache Backup Module (CBM) described in the previous section. With the Super Capacitor, the cached data can be stored permanently in the flash backup module, in case of a power outage.



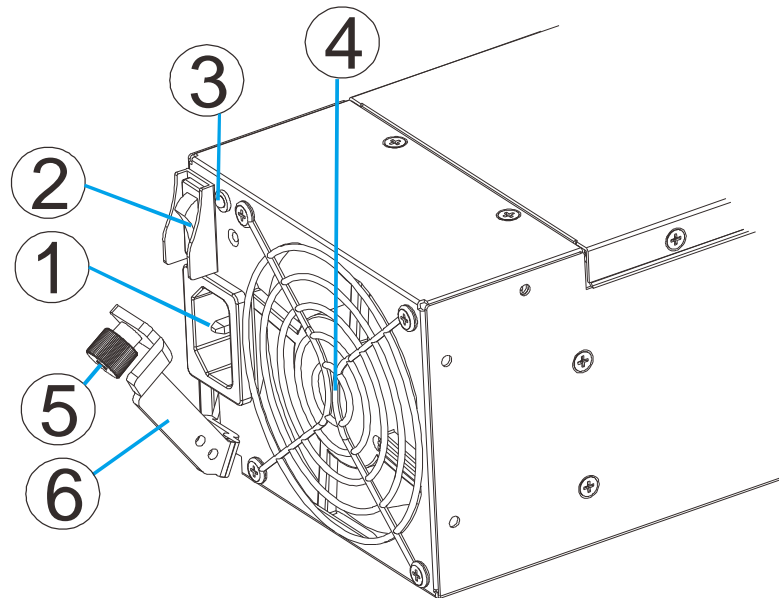
NOTE

The Super Capacitor is only charged partially when shipped. Therefore, after powering on the system, the Super Capacitor will start charging to its full capacity. The Super Capacitor will be charged within a few minutes. If the Super Capacitor is not charged, there may be a problem with the Super Capacitor and you should contact your system vendor immediately. You can also check the status of the Super Capacitor module via SANWatch or the firmware (please refer to respective manuals).



PSU & Cooling Module

The two redundant, hot-swappable PSU has a power socket (1), power switch (2), PSU status LED (3), cooling module (4), retention screw (5) and an extraction handle (6).



The cooling modules can operate at three rotation speed settings. Under normal operating conditions, the cooling fans run at the low speed. Under the following conditions, cooling fans raise their rotation speed to increase the airflow:

- Component failure: if a cooling module, PSU, or a temperature sensor fails.
- Elevated temperature: if the temperature breaches the upper threshold set for any of the interior temperature sensors.
- During the system initialization stage, the cooling fans operate at high speed and return to low speed once the initialization process has completed and no erroneous condition detected.



NOTE

There are two upper temperature thresholds: one for event notification and the other for triggering higher fan rotation speed. The preset-value for event notification can be changed using the firmware-embedded configuration utility, while the fan speed trigger cannot be changed. Refer to the Firmware Operation Manual for details.

System Monitoring Features

There are a number of monitoring approaches that provide the operating status of individual components.

Expansion Enclosure Support

Monitoring:

A managing storage system is aware of the status of expansion enclosure components including those of:

- Expander controller (presence, voltage and thermal readings)
- PSU
- Cooling module
- Enclosure thermal sensor
- Service (the Service signal to specify a specific enclosure)
- Disk drives

Expansion Enclosure Identifier:

The managing storage system will sound the alarm and deliver warning messages if there is a conflict between expansion enclosure IDs.

If more than one expansion enclosure is connected to the managing storage system, each expansion enclosure needs a unique enclosure ID set using the rotary switch on the LED panel. For example, the firmware automatically disconnects the second expansion enclosure if it is connected online and comes with an ID identical to that of the first expansion enclosure.



NOTE

The IDs for expansion enclosures are #1 to #15. For details, please refer to [Expansion enclosure connections](#).

Cooling Module Speed Adjustment:

If any of the detected temperature readings breaches the temperature threshold, the firmware running on the managing storage system automatically raises the rotation

speed of all cooling fans.

Expansion Enclosure Status Monitoring:

A storage system, when connected with expansion enclosures, acquires the component status within other enclosures via a proprietary enclosure monitoring service using the in-band connectivity. No additional management connection is required.

I²C bus

The detection circuitry and temperature sensors are interfaced through a non-user-serviceable I²C bus. When expansion enclosures are attached to storage system controllers, expansion enclosure component status is reported through in-band protocols over expansion links that is managed by a proprietary enclosure service.

Firmware (FW) and SANWatch

Firmware: The firmware (FW) is preloaded and is used to configure the system. The FW can be accessed through a terminal emulation program running on a management computer connected to the system's serial port.

SANWatch: SANWatch is a browser-based graphical user interface (GUI) software that can be installed on a local/remote computer and accessed via the network. The manager communicates with the array via the connection of the existing host links or the Ethernet link to the array's Ethernet port.

Audible Alarms

The system comes with audible alarms that are triggered when certain active components fail or when certain controller or system thresholds are exceeded. Whenever you hear an audible alarm, it is imperative that you determine the cause and rectify the problem immediately.

Event notification messages indicate the completion or status of array configuration tasks and are always accompanied by two or three successive and prolonged beeps. The alarm can be turned off using the [mute button](#) on the front panel.



WARNING

Failing to respond when an audible alarm is heard can lead to permanent damage(s) to the system. When an audible alarm is heard, rectify the problem as soon as possible.



Hot-swapping

The system comes with a number of hot-swappable components that can be exchanged while the system is still online without affecting the operational integrity. These components should only be removed from the system when they are being replaced.

The following components can be user-maintained and hot-swappable:

- Controller module (dual-controller models)
- PSU (including cooling modules)
- Hard drive



NOTE

Normalized airflow ensures sufficient cooling of the system and is only attained when all components are properly installed. Therefore, a failed component should only be removed when a replacement is available. For instructions on how to replace these hot-swappable components, please refer to [System Maintenance](#).



Hardware Installation

This chapter describes how to install modular components, such as hard drives into the enclosure and CBM into the controller enclosure.



NOTE

Enclosure installation into a rack or cabinet should occur **BEFORE** hard drives are installed into the system.

Installation Prerequisites

Static-free installation environment: The system must be installed in a static-free environment to minimize the possibility of electrostatic discharge (ESD) damage.

Component check: Before installing the system, check to see that you have received all the required components using the **Unpacking List** included in the package. If there are item(s) missing or appear damaged, contact your vendor for a replacement.


Hard drives: SAS/ NL-SAS/ SATA hard drives must be purchased separately and be available prior to installing the system.

Cabling: All the cables that connect the system to the hosts must be purchased separately. Please refer to [System Connection](#) for sample topologies and configuration options. Contact your vendor for the list of compatible cables.

Memory modules: If you wish to change the pre-installed DIMM module, you can find DIMM replacement procedures in [Replacing the Memory Module for storage systems](#).

CBM: For single controller storage systems, if you ordered a CBM as an additional component and wish to install CBM (BBU and/or FBM), the CBM should be installed prior to powering on the system.

Rack installation: The rack slide rails are optional accessories and should you need to install it, please refer to the [Slide Rail Installation Guide](#) section.



Make sure you are aware of the enclosure locations of each plug-in module and interface connector.

Cables must be handled with care and must not be bent. To prevent emission interference within a rack system and accidental cable disconnection, the routing paths must be carefully planned.

Installation Procedures Overview

Following all the instructions provided below can minimize system installation time. Detailed, illustrated instructions for each component are given in the following sections.

1. **Unpack:** Unpack the system and confirm all components have been received against the Unpacking List.
2. **Rack/Cabinet installation:** If the system is going to be installed in a rack or cabinet, it should be installed prior to installing the hard drives. Installing the system into a rack or cabinet requires at least two people due to its weight. If you need to install the slide rails that came with the system, please go [here](#).
3. **Install CBM (if necessary):** Install the CBM (Battery Backup Unit + Flash Backup Module) onto the controller if you purchased it as an additional item.
4. **Install hard drives:** Separately purchased SAS/SATA hard drives must be individually installed into the drive trays.
5. **Install drive trays:** After the hard drives have been installed into the drive trays, you can install the drive trays into the enclosure (install trays **AFTER** the enclosure has been mounted onto the rack).
6. **Cable connection:** Use the supplied power cords to connect the system to main power. It is recommended to connect power cords to separate and independent power sources (different circuit breakers for redundancy).
7. **Power up:** Once the components have been properly installed and all cables are properly connected, you can power up the system and configure the RAID array.



Unpacking the System

Compare the **Unpacking List** included in the shipping package against the actual package contents to confirm that all required materials have arrived.

Box Contents

For detail content(s), please refer to the unpacking list that came with the system.

The accessory items include a serial port cable, screws, **Quick Installation Guide**, a CD containing the **SANWatch** management software and its manual and **Firmware Operation Manual**, and a product utility CD containing the **Installation and Hardware Reference Manual** (this document).

Preinstalled Components

Shown below are the components pre-installed in the system:

- Controllers
- LED front panels
- Chassis ears with plastic caps
- DIMM module for storage system models
- CBM (dual controller systems)
- PSUs including cooling modules
- Host board

Components to be Installed

You must install the following components:

- The enclosure itself (please refer to the [Slide Rail Kit Installation Guide](#))
- Hard drives
- Cabling
- CBM, if purchased separately as an optional accessory



Installing Hard Drive

Installation of hard drives should only occur after the enclosure has been rack-mounted.

Hard Drive Installation Prerequisites

Hard drives are separately purchased and when purchasing hard drives, the following factors should be considered:

Capacity (MB/GB): Use drives with the same capacity. RAID arrays use a “least-common-denominator” approach, meaning the maximum capacity used in each drive for composing a RAID array is the maximum capacity of the smallest drive. Therefore it is recommended to use large storage capacity hard drives.



WARNING

Even hard drives by the same manufacturer, of the same model, and claiming the same rated capacity may actually carry different block numbers meaning that their capacity may not be exactly the same.

When configuring hard drives into a RAID array, you may use a slightly smaller capacity as the “**Maximum Disk Capacity**” in each individual hard drive. The configuration option can be found in the interface-specific firmware manual that came with your enclosure.

Profile: The drive trays and bays of the system are designed for 3.5” hard drives.

Drive type: The system uses SAS (6Gbps or 12Gbps), SATA and Nearline 3.5” hard drives. Please ensure that you purchase the correct hard drives.



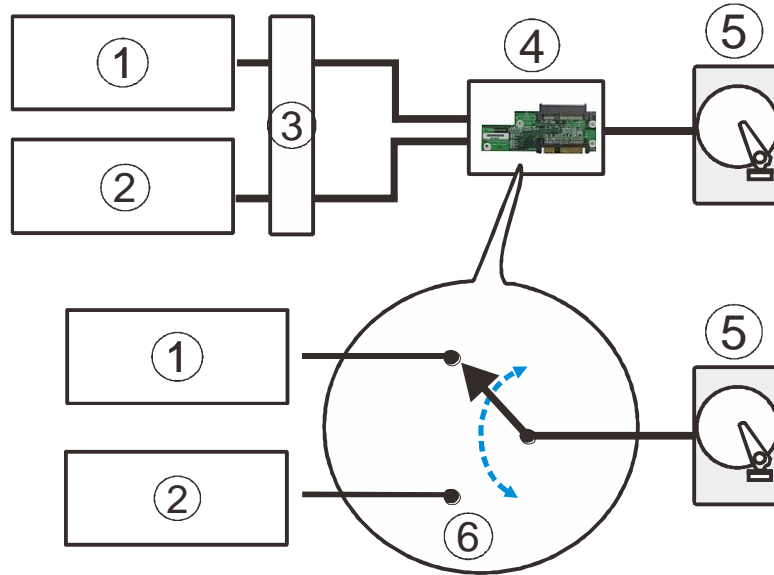
NOTE

If you use a dual-controller storage system and prefer using SATA hard drives in the enclosure or in the attached expansion enclosures, make sure you also purchase MUX kits.



MUX Board:

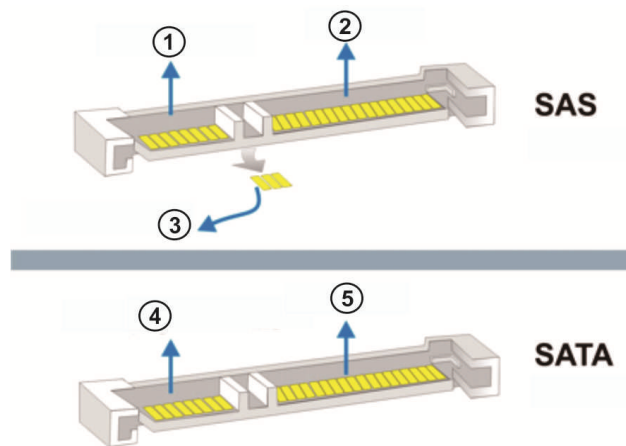
Shown below, controller A (1) and controller B (2) is connected to the backplane (3). With a MUX board (4) paired to the hard drive (5), data signals is able to switch between controllers A and B signal ports (indicated by the blue arrow / dotted line). Under normal circumstances, controller B signal port is in standby mode (6).



MUX Kit Port Selector Mechanism

SAS Interface

The SAS interface features a dual-ported connectivity with pins on both sides of its connector that include SAS primary links (1), power link (2) and underneath it, the SAS secondary links (3). The SATA drives have only one port that includes the SATA physical links (4) and the power link (5). In a redundant-controller system, the MUX-enabled drive trays must be separately purchased and applied. The single-controller expansion enclosures do not require MUX kit.



Dual-ported SAS and Single-port SATA Connectors



WARNING

The hard drives and drive trays should only be installed into the system after the enclosure has been mounted into the cabinet / rack. If the hard drives are installed first, the system will be too heavy to handle and the possible impact during installation may damage your hard drives.

Handle hard drives with extreme care and observe all ESD prevention methods when installing drives.

Only use screws supplied with the system package. Longer screws may damage the drive.



Hard Drive Designation

Illustrations shown below are system hard drive slot number designations. Please familiarize yourself with the designations to avoid withdrawing the hard drive(s) out of the enclosure.

1	2	3	4
5	6	7	8
9	10	11	12

1	2	3	3	4	5	6	7	8	9	10	11	12	13	14	15	16	17	18	19	20	21	22	23	24
---	---	---	---	---	---	---	---	---	---	----	----	----	----	----	----	----	----	----	----	----	----	----	----	----

2U systems

1	2	3	4
5	6	7	8
9	10	11	12
13	14	15	16

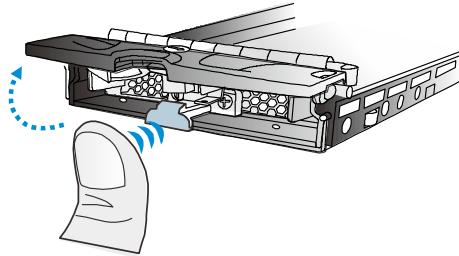
3U systems

1	2	3	4
5	6	7	8
9	10	11	12
13	14	15	16
17	18	19	20
21	22	23	24

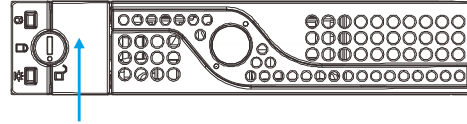
4U systems

Installing the Hard Drive into Drive Tray

Open the bezel by pressing the release button and gently pull out the tray.



3.5 inch



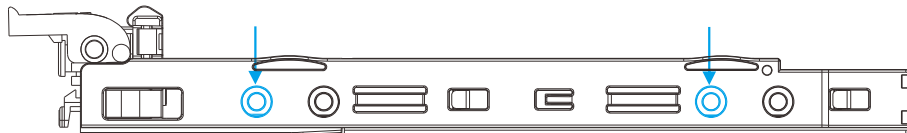
2.5 inch

Place the hard drive into the drive tray, making sure that the interface connector is facing the open side of the drive tray and its label side facing up.

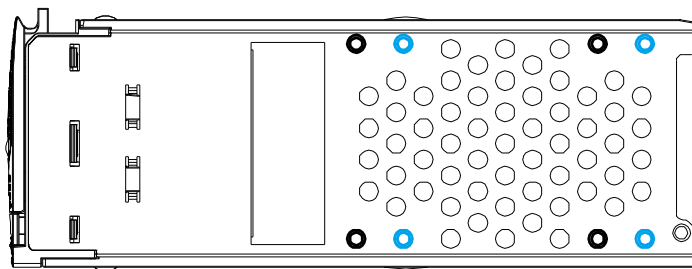
If you have a MUX board and you want to install a SAS drive, the MUX board should be removed.



Installing a 3.5" SAS HDD or single controller systems



Installing a 3.5" HDD with a MUX Board (SATA drives)



● **2.5 inch SAS hard drive**

● **2.5 inch SATA hard drive**

Adjust the drive location until the mounting holes in the drive tray are aligned with those on the hard drive. Secure the drive with four of the supplied flat-head screws.



Installing the Hard Drive Tray into the Enclosure

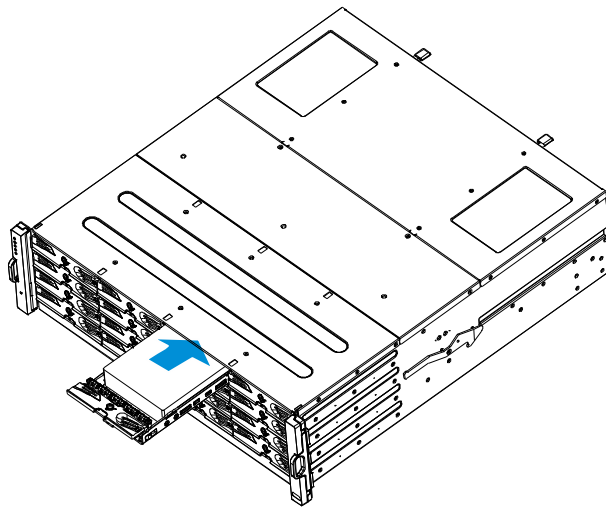
Once the hard drives have been installed in the drive trays, install the drive trays into the system.



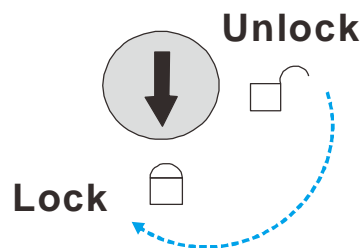
WARNING

Each drive slot must be populated with a tray even if it does not contain a hard drive. With a bay empty, air flow ventilation may be disrupted and the system will overheat.

With the hard drive tray bezel opened, align and insert the tray into the enclosure.



Once fully inserted, close the tray and use a small-size flat blade screwdriver to turn the bezel lock from unlock to the lock position.



NOTE

The design of the hard drive tray might differ from the pictures shown.

Installing CBM

The CBM consists of a battery backup unit (BBU) and flash backup module (FBM). The CBM can sustain cache memory in the event of a power failure or in the extremely unlikely event of both PSUs failing at the same time. The use of a CBM is highly recommended in order to safeguard data integrity. The CBM is an optional item for the single-controller model and can be purchased from your system vendor. The CBM has to be installed on the controller before rack-mounting the system.



NOTE

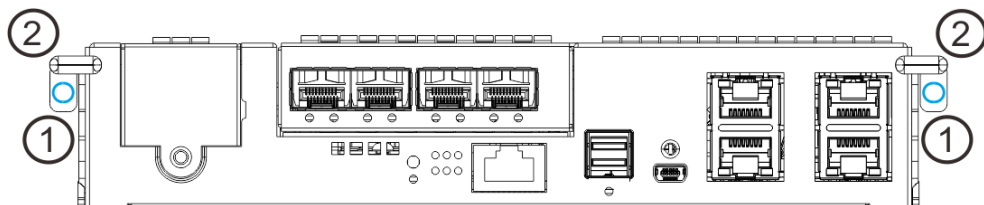
Dual controller model's BBU and FBM are pre-installed!

Dual controller systems come with the BBU pre-installed in the system while the FBM may be default or an optional item. For details, please refer to [Cache Backup Module \(CBM\)](#).

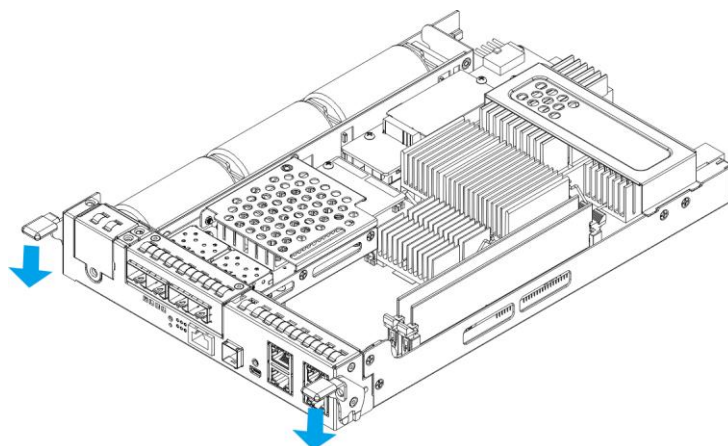
For single controller models, the CBM (BBU + FBM) will be pre-installed for you if you ordered it as a part of the system. If you purchase the CBM afterwards as an upgrade component, please read and follow the instructions in this section carefully.

Removing the Controller

Loosen the screws (1, shown in blue) under the ejection levers (2).



Push ejection levers downwards and the controller will ease out from chassis.



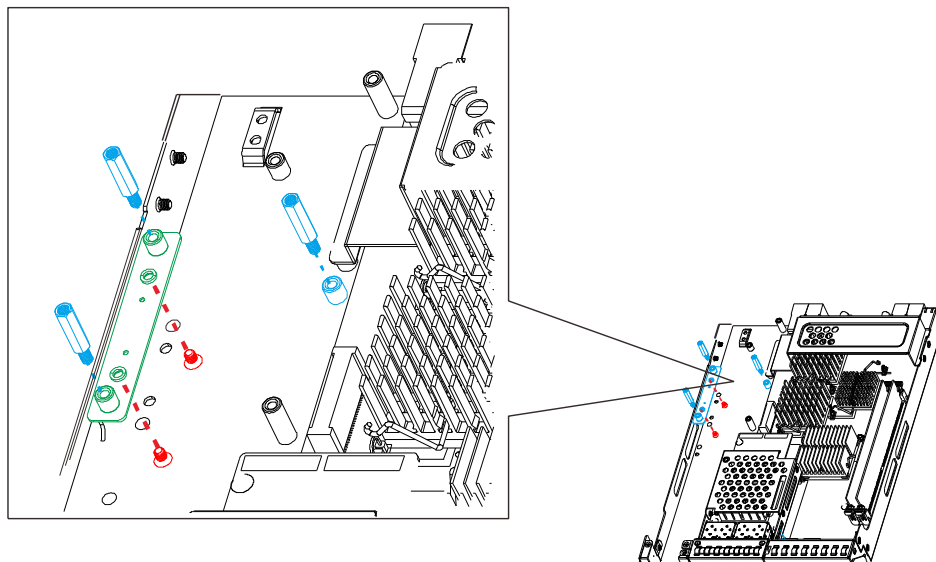


Flash Backup Module & Battery Backup Unit

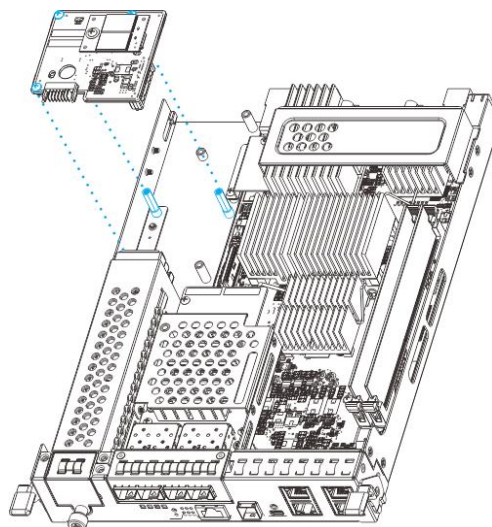
Please read the following sections on how to install the battery backup module and flash backup module into the controller module. Always place the controller on a clean, static-free surface and hold the controller only by its metal canister and never touch the circuit board or connector pins.

Flash Backup Module Installation

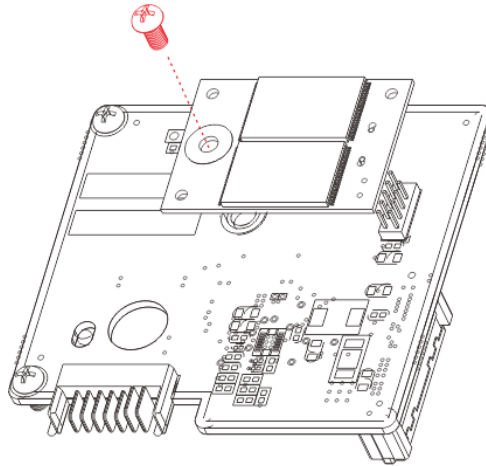
Once the controller has been removed, place the base plate into the designated location in the controller (shown in **green**) and secure it using the supplied flathead screws (shown in **red**). The screws are secured underneath the controller. Secure the three copper stands into the locations shown below (shown in **blue**).



Lower the PCB board onto the controller while matching the holes to the copper stands and secure it using the supplied truss head screws (shown in blue).

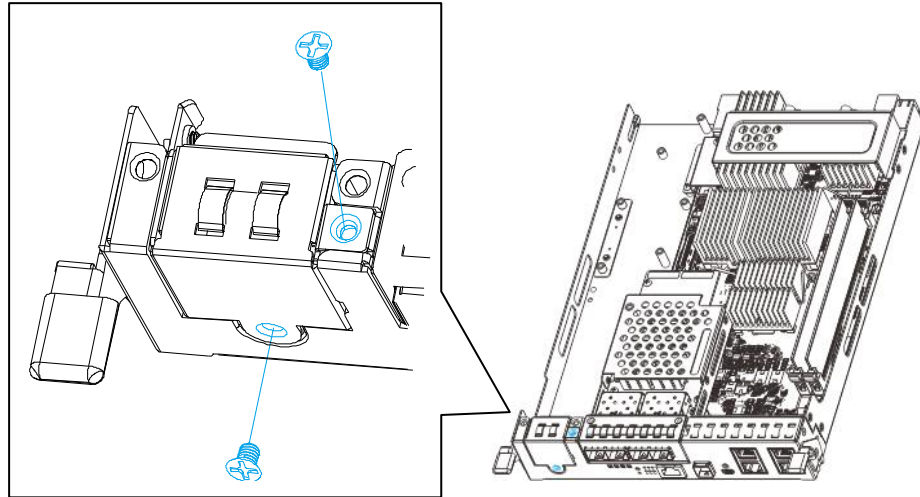


Secure the SSD with the screw (shown in red). Be sure the SSD and the screw is fully attached to the controller.

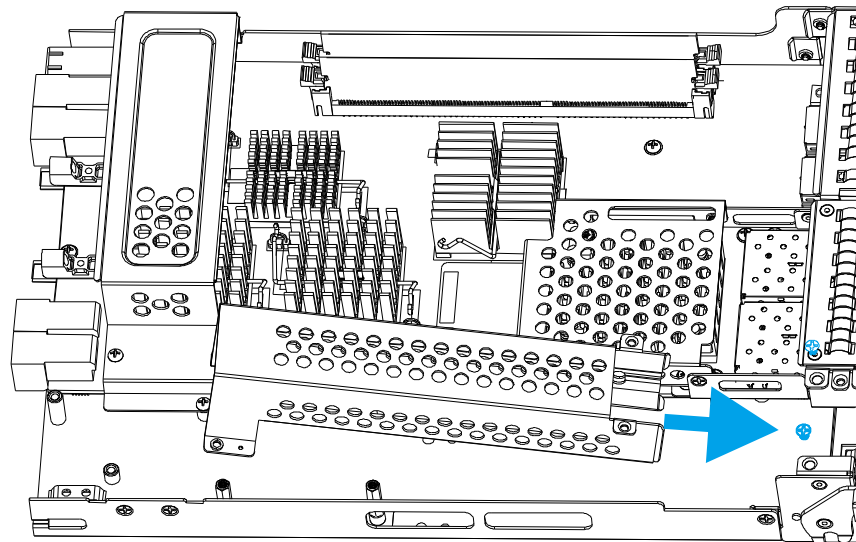


Battery Backup Unit (BBU) Installation

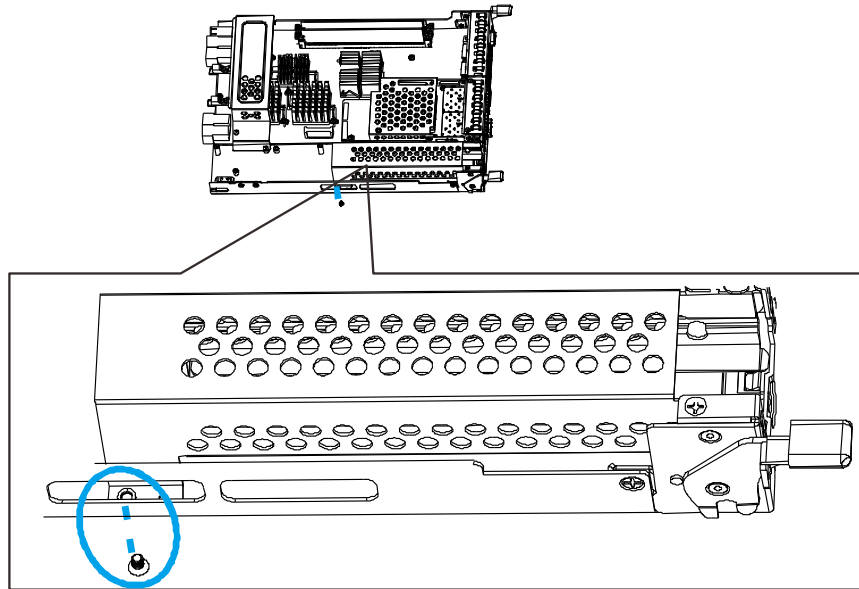
1. With the controller removed, remove the cover by removing the two screws (shown in blue).



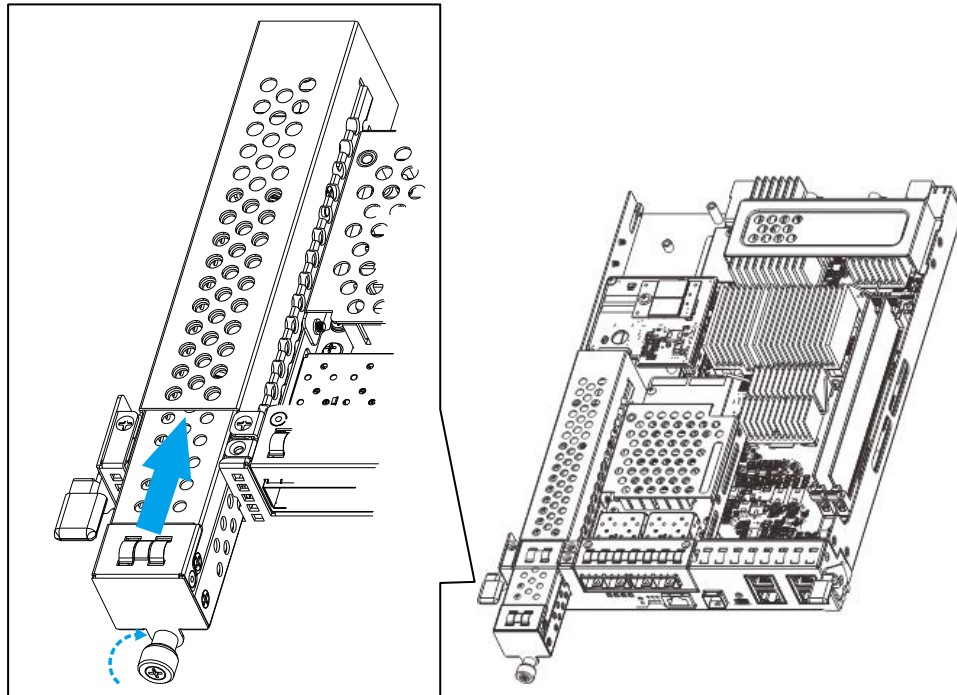
2. Hold the battery cage at a 45 degree angle, make sure the cage sits and meets the screw holes. Secure it by using the supplied flathead screws.



- Secure the other end of the cage with flathead screws from underneath the controller, one on each side.



- Gently insert the battery backup unit into the cage and secure it by using the thumb screw.



- [Reinstall the controller.](#)

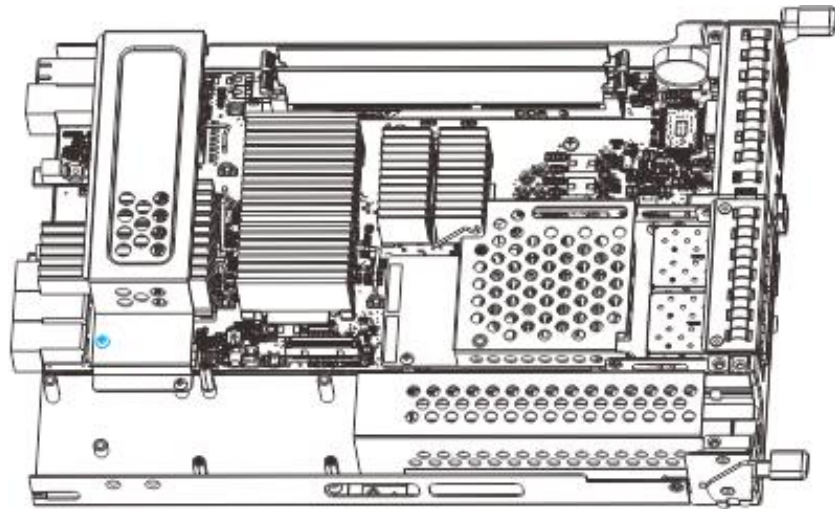


Super Capacitor & Flash Backup Module Installation

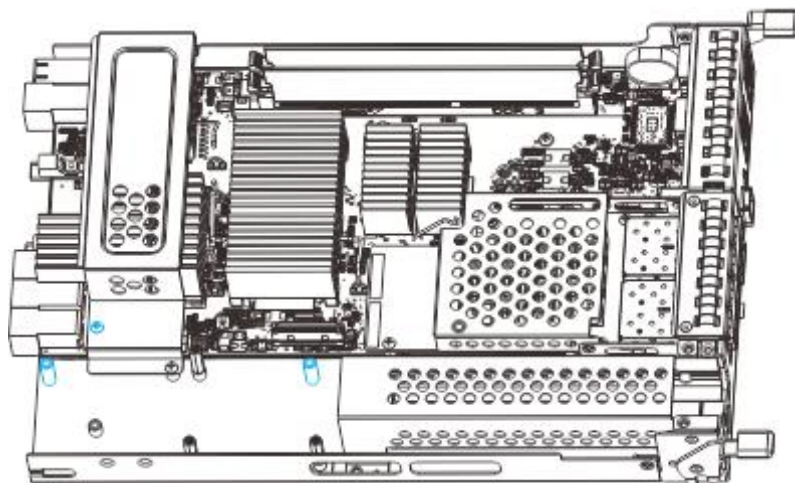
Please read the following sections on how to install the Super Capacitor & flash backup module into the controller. Always place the controller on a clean, static-free surface and hold the controller only by its metal canister and never touch the circuit board or connector pins.

Flash Backup Module Installation

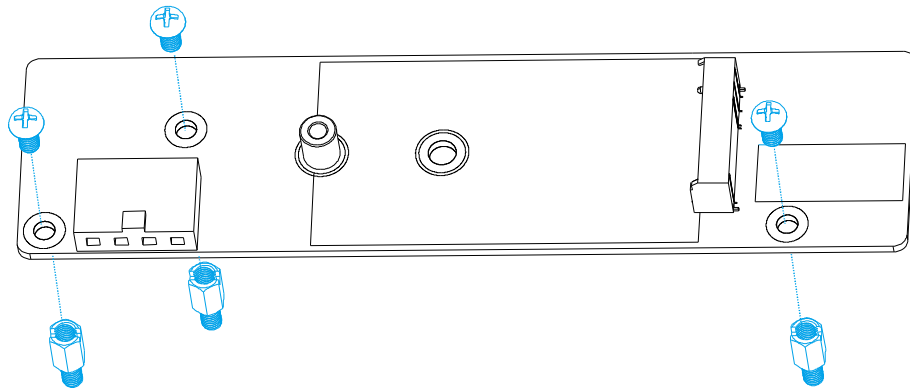
1. With the controller removed, remove the screw (shown in blue).



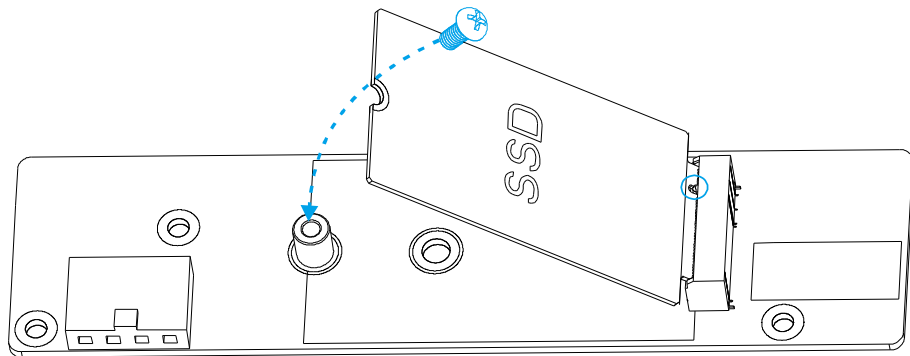
2. Install copper stands (shown in blue) into the following three designated locations.



3. Make sure the screw holes meet while placing the SSD PCB board on the copper stands. Secure the PCB with screws provided.



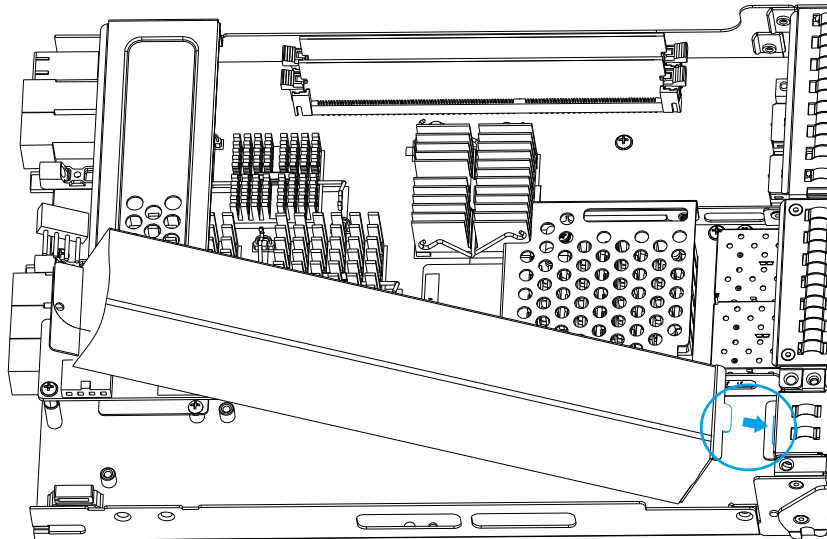
4. Insert the SSD at a 45 degree angle, make sure the notch meets (indicated by the **blue circle**). Gently lower the other end of the SSD and secure it with a screw.



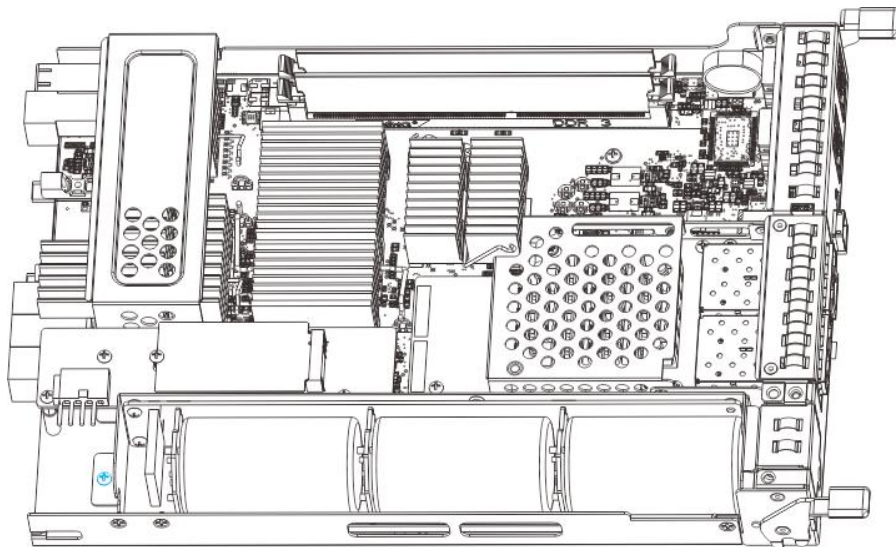


Installing the Super Capacitor

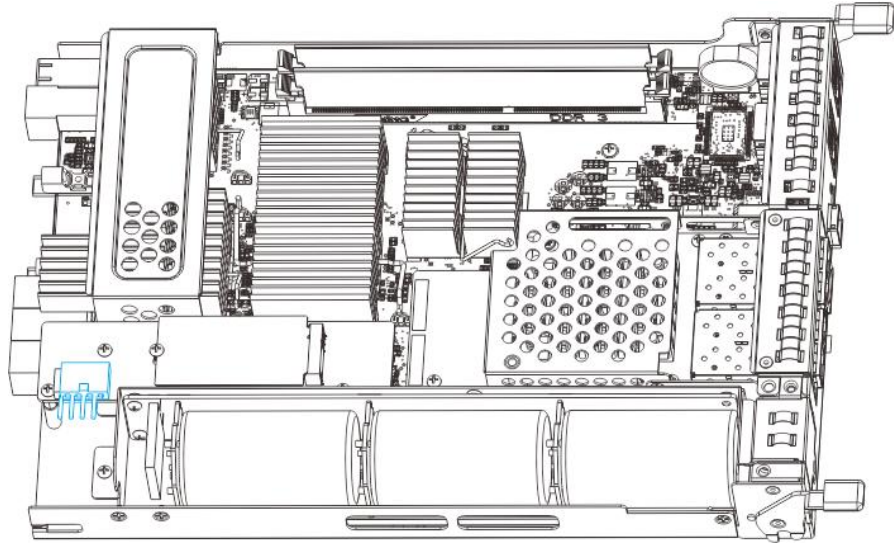
1. With the controller removed, insert the Super Capacitor at a 45 degree angle. Make sure the protrusion is inserted into the slot (indicated by the **blue circle / arrow**).



2. Secure the Super Capacitor with a supplied screw (shown in blue) at the end.



3. Connect the four-pin molex connector (shown in blue) to the SSD PCB board.



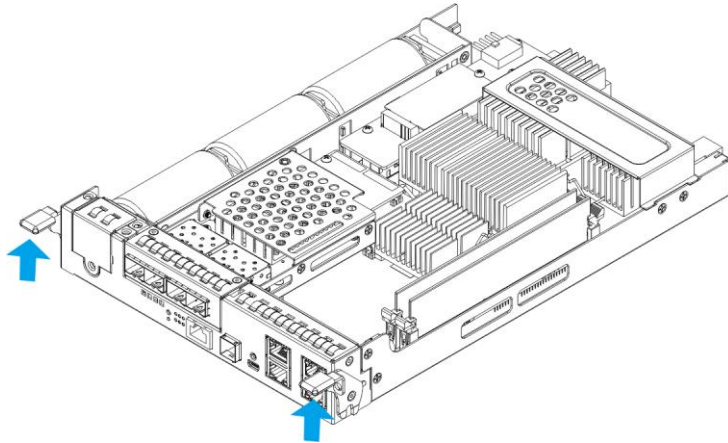
4. [Reinstall the controller.](#)



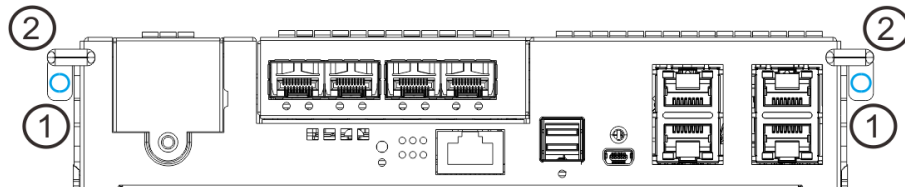
Installing the Controller

After completing the battery backup unit and flash backup module installation, the controller can be re-inserted into the enclosure:

1. Insert the controller slowly into the module slot. When you feel the contact resistance, use slightly more force and then push both of the ejector levers upwards (indicated by the **blue arrows**) to secure the controller into chassis.



2. Secure the controller by fastening the two retention screws **(1)** under the ejector levers **(2)**.



NOTE

A new or replaced BBU takes at least 12 hours to charge to its full capacity, a new Super Capacitor is charged within a few minutes.



System Connection

This chapter outlines the general configuration rules you should follow when cabling a storage system and introduces basic information about topologies. You can use these topologies or refer to them as a guide for developing your own unique topologies. A complete description of the power-on and power-off procedures is also given in this chapter.

General Considerations on Making Connections

When selecting the number of hard drives to be included in a logical drive, the host channel bandwidth and the mechanical performance of individual disk drives should be considered.

It is a good practice to calculate performance against the host port bandwidth when designing an application topology. As an example, if eight members are included in a logical drive and this logical drive is associated with a host ID (LUN mapping), the combined performance of this logical drive should approximate the channel bandwidth. If, for example, two 6-drive logical arrays are associated with two IDs residing on a single host channel, there may be a trade-off with performance.

If your system comes with dual controllers for a total of 8 host ports, it is recommended that you obtain more disk drives by attaching an expansion enclosure so that you can create 4 or more 6-member logical drives. These 4 logical drives leverage the bandwidth of all 8 host ports.

There are other considerations:

- For example, a spare drive carries no data stripes and will not contribute to disk-level performance. Refer to the documentation for your hard drives for performance data.
- The disk drives in the same logical array should have the same capacity, but it is preferred that all the drives within a chassis have the same capacity.
- Disk drives in the same logical drive should have the same capacity, but it is preferred that all the disk drives within a chassis have the same capacity. Tiered storage configuration is supported, e.g., 150GB SAS drives in your enclosure and 750GB SATA drives in expansion enclosures. However, you should not include both SAS and SATA drives in a logical drive.



- A spare drive should have a minimum capacity that is equivalent to the largest drive that it is expected to replace. If the capacity of the spare is less than the capacity of the drive it is expected to replace, the controller will not proceed with the failed drive rebuild.
- When cabling, follow all the specifications. Pay attention to signal quality and avoid electronic noise from adjacent interfaces, e.g., do not lay power cords on optical cables.
- When rack-mounted, leave enough slack in the cables so that they do not bend to a diameter of less than 76mm (3 inches).
- Route the cables away from places where it can be damaged by other devices, e.g., foot traffic or fan exhaust.
- Do not over-tighten or bend the cables.

Host-Side Topologies

The primary concern for configuring host-side topologies is to avoid points of failure. It is therefore recommended that the host ports be connected to at least two HBAs. It is also preferable to apply corresponding host port type switches (eg. use Fibre switches for Fibre host ports).



NOTE

In order to manage the fault-tolerant data paths and to optimize data throughput on multiple data paths, it is necessary to apply EonPath multipath software or utilities such as Linux Device Mapper.

Host-Side Parameters

It is **STRONGLY** recommended that users use the default settings with their system. Should you feel the need to adjust your host-side parameters, please consult on-site technical personnel or seek technical support from your vendor.

Maximum Concurrent Host LUN Connection ("Nexus" in SCSI)

```
Fri Jul 22 10:47:06 2005 Cache Status: Clean
BAT:+++++
< Main Menu >
Quick installation
view
view Maximum Queued I/O Count - 256
view LUNs per Host ID - 8
view Max Number of Concurrent Host-LUN Connection - Def(4)
view Number of Tags Reserved for each Host-LUN Connection
view Peripheral Device Type Parameters
view Host Cylinder/Head/Sector Mapping Configuration
view Fibre Connection Option - Loop only
view Host-side Parameters
view Drive-side Parameters
view Disk Array Parameters
view Redundant Controller Parameters
view Controller Parameters
Default
1
2
4
8
16
32
64
128
256
512
1024
Arrow Keys:Move Cursor | Enter:Select | Esc:Exit | Ctrl+L:Refresh Screen
```

The "Max Number of Concurrent Host-LUN Connection" menu option is used to set the maximum number of concurrent host-LUN connections.

Maximum concurrent host LUN connection (nexus in SCSI) is the arrangement of the controller internal resources for use with a number of the current host nexus.

For example, you can have four hosts (A, B, C, and D) and four host IDs/LUNs (IDs 0, 1, 2 and 3) in a configuration where:

- Host A accesses ID 0 (one nexus).
- Host B accesses ID 1 (one nexus).
- Host C accesses ID 2 (one nexus).
- Host D accesses ID 3 (one nexus).

These connections are all queued in the cache and are called four nexus.

If there is I/O in the cache with four different nexus, and another host I/O comes with a nexus different than the four in the cache (for example, host A accesses ID 3), the controller returns busy. This occurs with the concurrent active nexus; if the cache is cleared, it accepts four different nexus again. Many I/O operations can be accessed via the same nexus.

Maximum Queued I/O Count

```
Thu Aug 11 18:22:04 2005 Cache Status: Clean
BAT:+++++
< Main Menu >
Quick installation
view
view Maximum Queued I/O Count - 256
view LUNs per Host ID - 8
view Max Number of Concurrent Host-LUN Connection - Def(
view Number of Tags Reserved for each Host-LUN Connectio
view Peripheral Device Type Parameters
view Host Cylinder/Head/Sector Mapping Configuration
view Fibre Connection Option - Loop only
Host-side Parameters
Drive-side Parameters
Disk Array Parameters
Controller Parameters
Auto
1
2
4
8
16
32
64
128
256
512
1024
32)
```

```
Arrow Keys:Move Cursor |Enter:Select |Esc:Exit |Ctrl+L:Refresh Screen
```

The "Maximum Queued I/O Count" menu option enables you to configure the maximum number of I/O operations per host channel that can be accepted from servers. The predefined range is from 1 to 1024 I/O operations per host channel, or you can choose the "Auto" (automatically configured) setting. The default value is 256 I/O operations.

The appropriate "Maximum Queued I/O Count" setting depends on how many I/O operations the attached servers are performing. This can vary according to the amount of host memory present as well as the number of drives and their size. But usually, optimum performance results from using the "Auto" or "256" settings.

For more information, please refer to the Firmware Manual that came with your system.



Fibre-Host RAID Connections

The Fibre Channel standard allows optical connections. Optical cables can be used over longer distances and have been shown to be more reliable. Due to the demands of high transfer rates, optical cables are preferred for 16/8/4Gbps fiber connectivity. Optical cables are also less susceptible to EMI.

The Fibre host ports connect to Fibre Channel host adapters (HBA) that feature a 16 or 8Gbps transfer rate, SFP+ interface, support for full-duplex transfer and an eight-lane (x8) PCIe 3.0 bus. Please contact your vendor for the latest certified items.



WARNING

All Fibre cables are sensitive and must be handled with care. To avoid interference, the cable routing path must be carefully planned and the cables must not be bent.

Fibre-Host Components (including 10GB iSCSI)



WARNING

Lasers can be hazardous and may cause permanent eye damage or blindness, and therefore must be treated with respect and used with caution. Never look directly at lasers while it is turned on.

Auto speed detection

Speed auto-detection is specified by the Fibre Channel standard. If a 16Gbps port is connected to an 8Gbps port, it will negotiate down and run at 8Gbps. If there are 16Gbps ports on both ends of the link, the link will run at 16Gbps.

SFP+ transceivers

An SFP+ transceiver converts electrical data signals into light signals and transfers them transparently via optical fiber. A transceiver provides bi-directional data links, a laser transmitter (for fiber optic cables), LC connector, and a metal enclosure to lower the EMI.

Other beneficial features of a typical SFP+ transceiver include a single power supply, low power dissipation, and hot-swap capability. It is also important that any transceiver you use meets the FC performance and reliability specifications.



WARNING

The SFP+ transceiver contains a laser diode featuring class 1 laser. To ensure continued safety, do not remove any covers or attempt to gain access to the inside of the product. Refer all servicing to qualified personnel.

FC port dust plugs

Each FC port comes with a dust plug. Remove these dust plugs only when you are ready to insert an SFP+ transceiver.

Please contact your vendor for a list of compatible components!



Fibre-Host Topologies

The Fibre Channel standard supports three (3) separate topologies. They are point-to-point, Fibre Channel Arbitrated Loop (FC-AL), and fabric switch topologies.

- Point-to-Point: Point-to-point topology is the simplest topology. It is a direct connection between two (2) Fibre Channel devices.
- FC-AL: This is the most common topology currently in use. Fibre Channel devices are all connected to a loop. Each device is assigned an arbitrated loop physical address (AL_PA). The FC-AL supports 124 devices in a single loop.
- Fabric: The fabric topology supports up to 224 Fibre Channel devices. This topology allows multiple devices to communicate simultaneously. A Fibre switch is required to implement this topology.



NOTE

If a logical drive can be accessed by different servers, file locking, FC switch zoning, port binding, and multipath access control will be necessary.

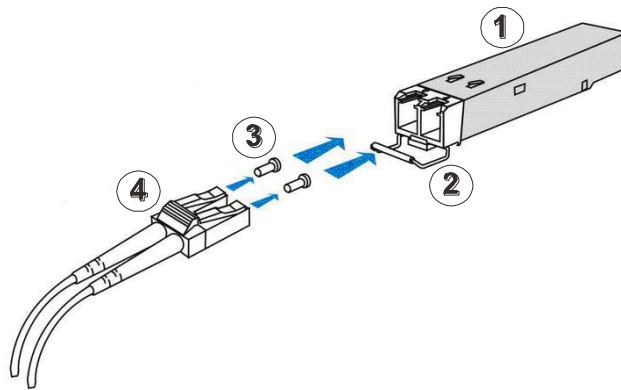
Fibre Cabling

Following are steps that should be completed with cabling:

1. Maintain a configuration plan. In addition to cabling topologies and list of networking components, the plan can also include firmware and software maintenance details.
2. Confirm that you have a Fibre Channel cable that loops 6-inch or longer.
3. Ensure proper airflow and keep cables away from ventilation airflow outlets.

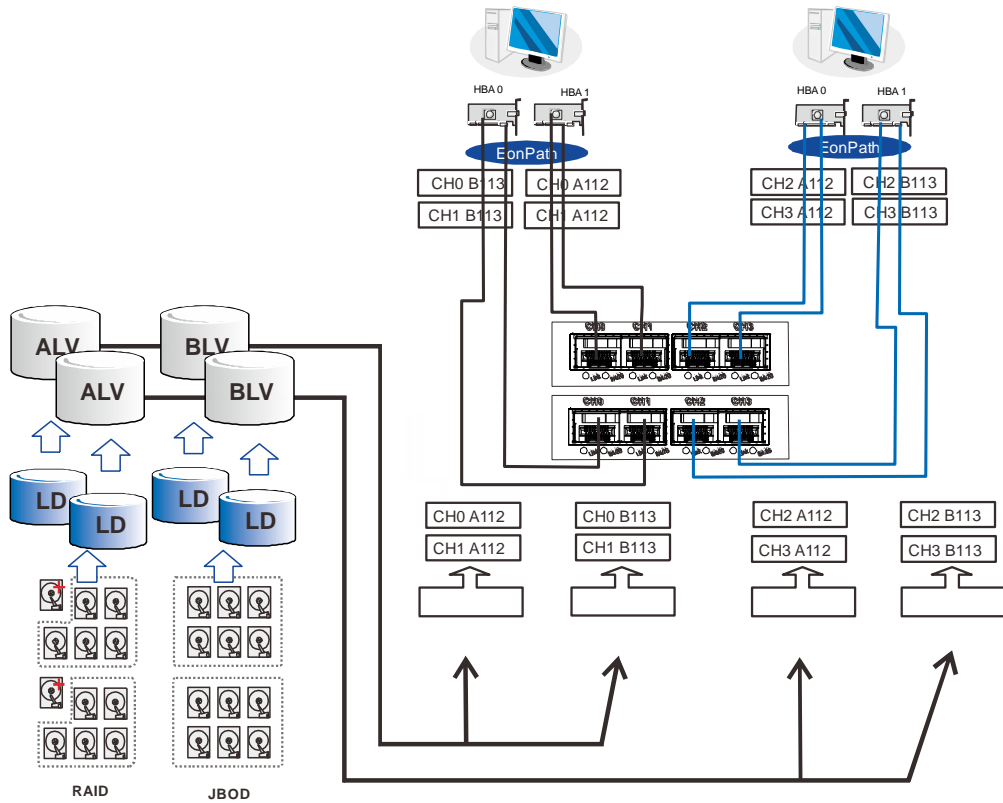
Cabling steps:

1. Remove the SFP+ module **(1)** from its static-protective package.
2. Remove the dust plug **(2)** from the SFP+ transceiver module.

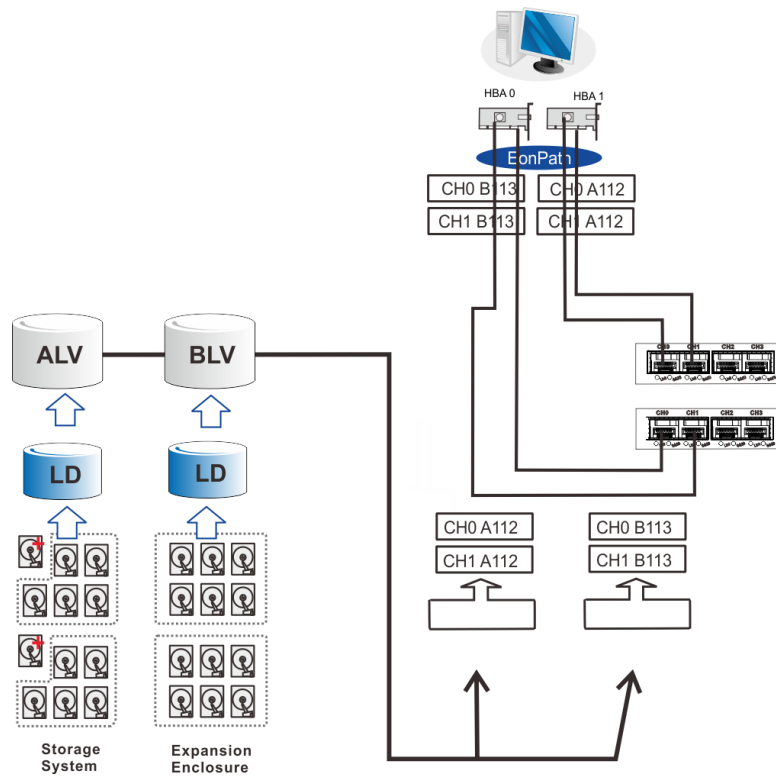


3. Insert the SFP+ module into the system host ports. The module will click into place.
4. Remove the two protective caps **(3)** from the LC-to-LC type cable. Save the protective caps for future use
5. Connect a LC-to-LC type cable **(4)**.
6. Carefully insert the cable into an SFP+ module that is already on the system. The cable connector is keyed and will click into place.
7. Remove the protective caps on the other end and connect this end to an SFP+ transceiver module on a Fibre Channel switch port or a Fibre Channel host bus adapter (HBA) port.

Simple End-to-End Connection



8Gpbs



16Gpbs



Channels	Controller A	Controller B
Host	8G: CH0, CH1, CH2, CH3 16G: CH0, CH1	8G: CH0, CH1, CH2, CH3 16G: CH0, CH1
Configuration Information		
Controller	2	
Host server	2	
Data path connection	Fault-tolerant data paths.	
Host channel bandwidth	6400 MB/s	

Above is an example demonstrating simple end-to-end connections with each SFP+ port connected to a host adapter. Multiple logical drives, logical volumes, and logical partitions can be created and each mapped to the corresponding host channel ID/LUN combinations.

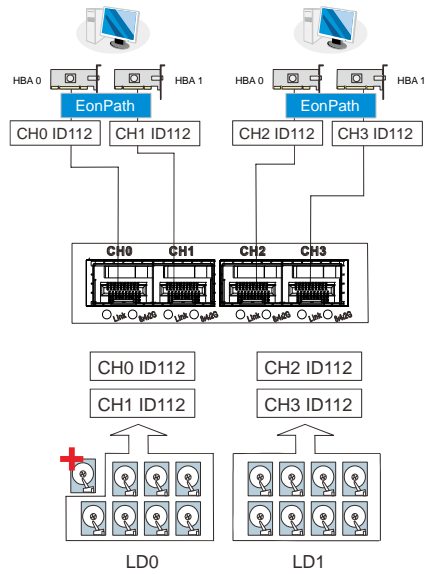
Note that EonPath multipath software or Linux Device Mapper is necessary for controlling and optimizing the access to logical drives via multiple data paths.

DAS (Direct-Attached) Connection

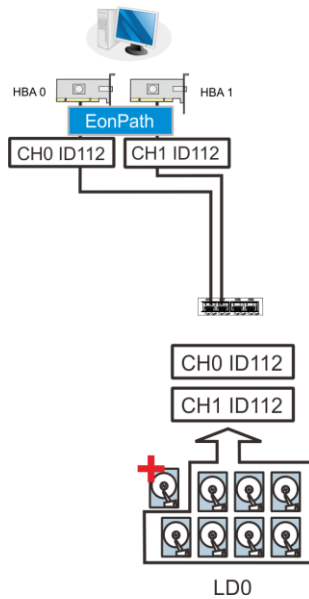


NOTE

If a logical drive can be accessed by different servers, file locking, FC switch zoning, port binding, and multipath access control will be necessary in order to avoid access contention.



8Gpbs



16Gpbs



Channels	Controller A
Host	8G: CH0, CH1, CH2, CH3 16G: CH0, CH1
Configuration Information	
Controller	1
Host server	2
Data path connection	Simple end-to-end connections with fault-tolerant pairs
Host channel bandwidth	3200 MB/s

With more disk drives over the SAS expansion links, you can create more logical groups of drives. These logical drives use more host channel IDs or LUN numbers.

If a server has multiple data paths to a storage system, a multi-path software is necessary, e.g., the EonPath driver.

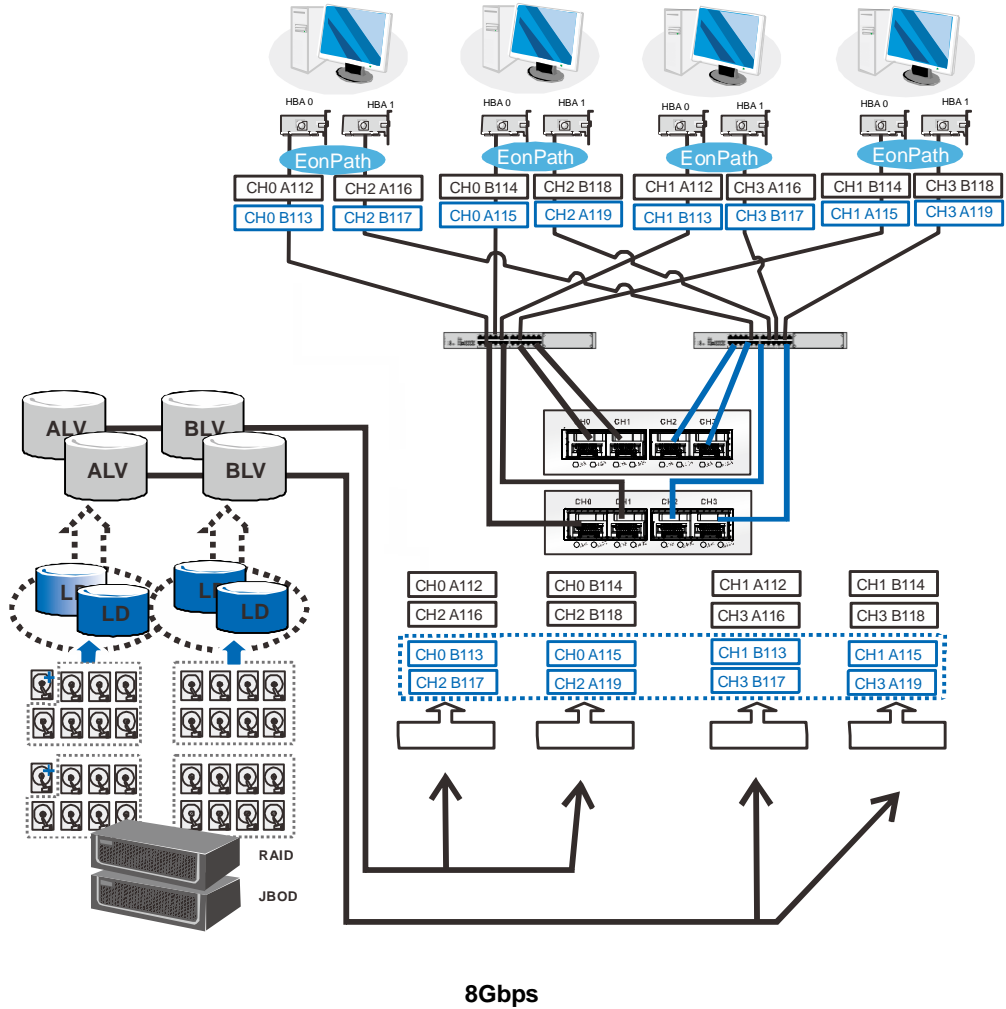
The two logical drives in the above drawing cannot leverage the full computer power of the system. You may attach 1 or 2 more expansion enclosures to acquire more end-to-end performance.

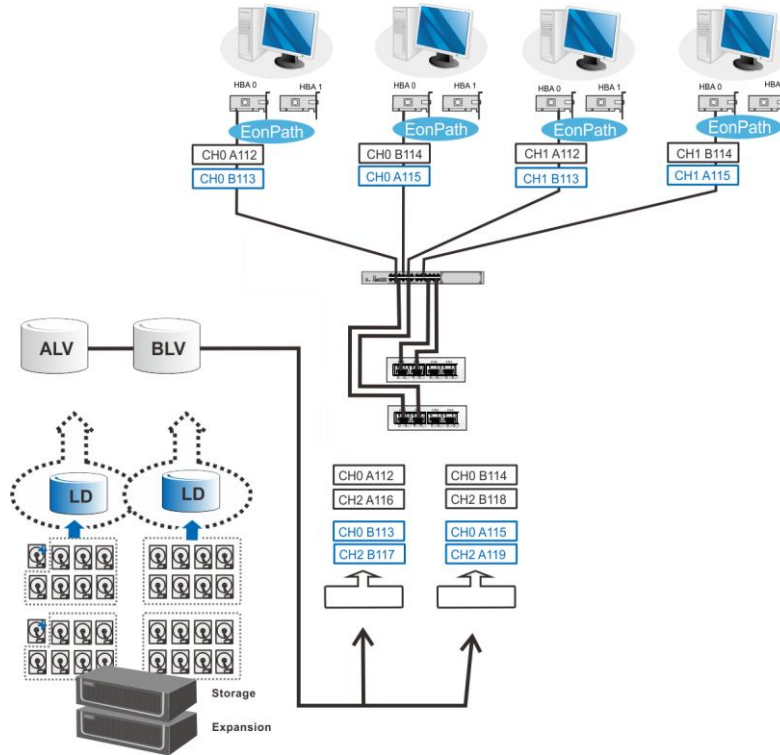
Switched Fabric Connection (Dual-Controller)



NOTE

A logical partition presented through LUN Mapping can be seen by all servers across SAN. Make sure you have access control such as file-locking, switch zoning, port binding, etc., to avoid access contention.






16Gpbs

Channels	Controller A	Controller B
Host	8G: CH0, CH1, CH2, CH3 16G: CH0, CH1	8G: CH0, CH1, CH2, CH3 16G: CH0, CH1
Configuration Information		
Controller	2	
Host server	4 (or more via FC switches)	
FC switch	2 (or 1 into 2 zones)	
Data path connection	Fault-tolerant paths	
Host channel bandwidth	6400 MB/s	

Channel link bypass is provided on external FC switches. Each of the application servers shown in the diagram is equipped with two HBAs with FC links via two FC switches to the SFP+ ports on individual controllers.

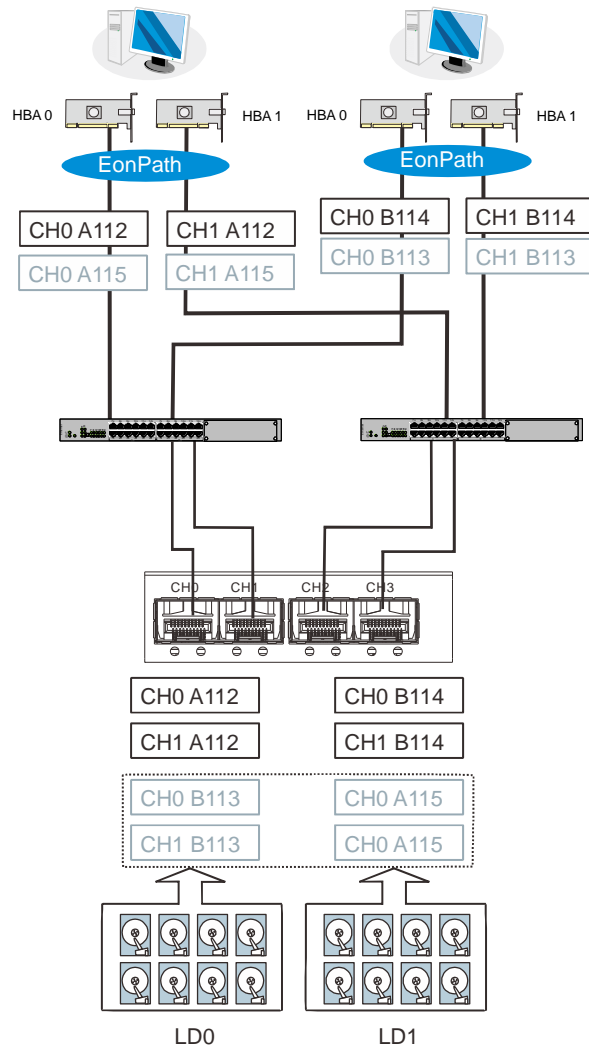
You can refer to the ID tags on the host links to see the related logical volume mapping and cable links routing paths. Through the cable links illustrated above, the



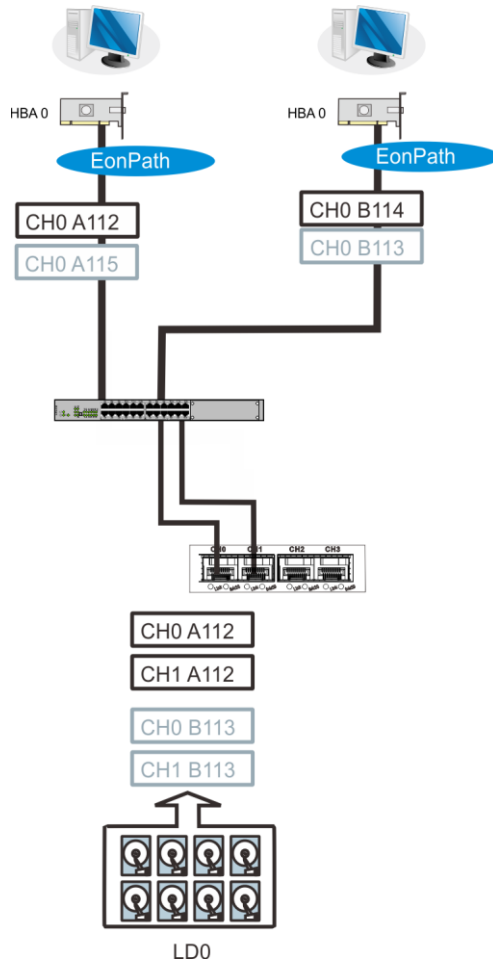
configuration can withstand a failure of a single component, e.g., controller, HBA, cable, or FC switch.

Each logical partition is redundantly mapped to multiple host channel IDs in an AAPP (Active-Active-Passive-Passive) configuration. Logical volumes are managed either by the controller A or by the controller B. The Passive IDs will only become functional when a single controller fails in the system. The EonPath driver is a must on the application servers. The driver communicates with system firmware and performs load balance and automated distribution of I/Os across preferred paths (Active IDs on data paths). TPGS (Target Port Group Service) is supported so that I/Os are routed to the preferred paths.

Switched Fabric Connection (Single-Controller)



8Gbps



16Gbps

Channels	Controller A
Host	8G: CH0, CH1, CH2, CH3 16G: CH0, CH1
Configuration Information	
Controller	1
Host server	4
Data path connection	Data paths are attached to one or more FC switches. SAN management measures, such as switch zoning and port binding, should be taken to avoid multiple servers from accessing the same LUN.
Host channel bandwidth	3200 MB/s



Each SFP+ port connected to FC switches and then to host adapters. See logical associations in the drawing for LUN mapping details.

Use enclosure-specific spares to prevent a spare drive from participating in the rebuild of a logical drive on another enclosure.

You can refer to the ID tags on the host links to see the related LUN mapping and cable links routing paths.

Each logical partition is mapped to a single host channel ID. If you prefer path redundancy, you can map a logical partition to IDs residing on two different channels. You will then need the EonPath driver to manage access through two different HBA ports. The driver communicates with system firmware and performs load balance and automated distribution of I/Os.

If multiple servers can “see” a mapped volume, you will need to avoid access contention using file locking software, port binding, or zoning feature by FC switches, which limits the access from host to a specific LUN. If you have two servers in a clustered configuration, access control will be performed by the clustering software.

SAS-Host Connections



NOTE

Please consult your vendor or sales representative for compatible host link cables.

One SFF-8644-to-SFF-8644 Mini-SAS HD cable is included per controller. You can contact your vendor to purchase additional cables if you need more than the included one.

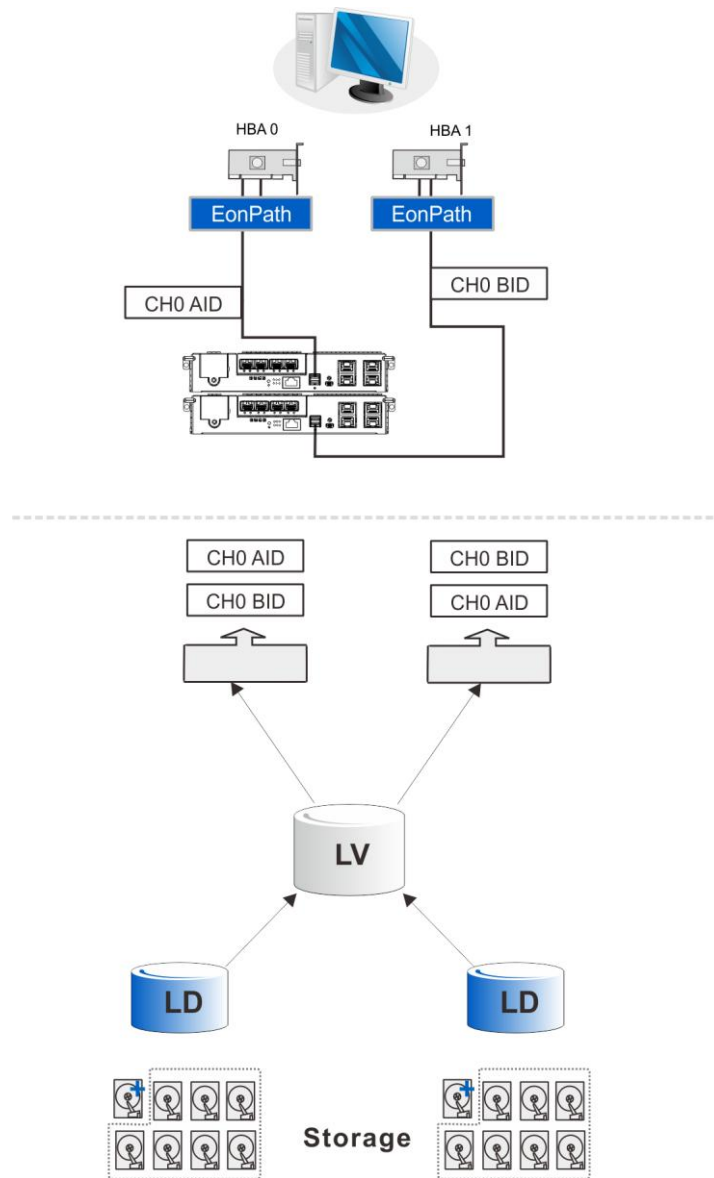
The cables are characterized by 100ohm, black colors, UL-approved, lead-free, 50, 120 or 260cm cable lengths; connectors can be secured to chassis receptacle using latching mechanism.



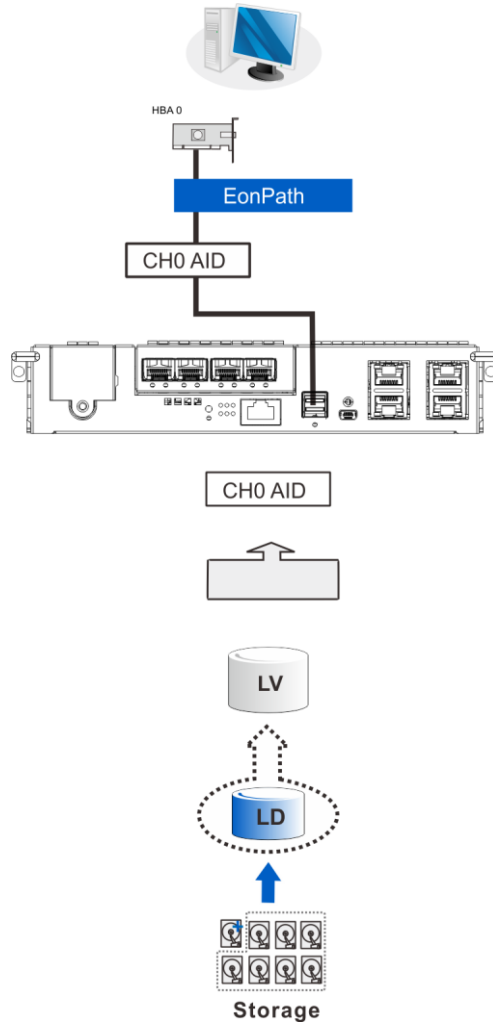
WARNING

All SAS cables are sensitive and must be handled with care. To prevent interference within a rack system, the cable routing path must be carefully planned and the cables must not be bent.

DAS (Direct-Attached Storage) Connection with Redundant Host Path



Dual-controller models



Single-controller models

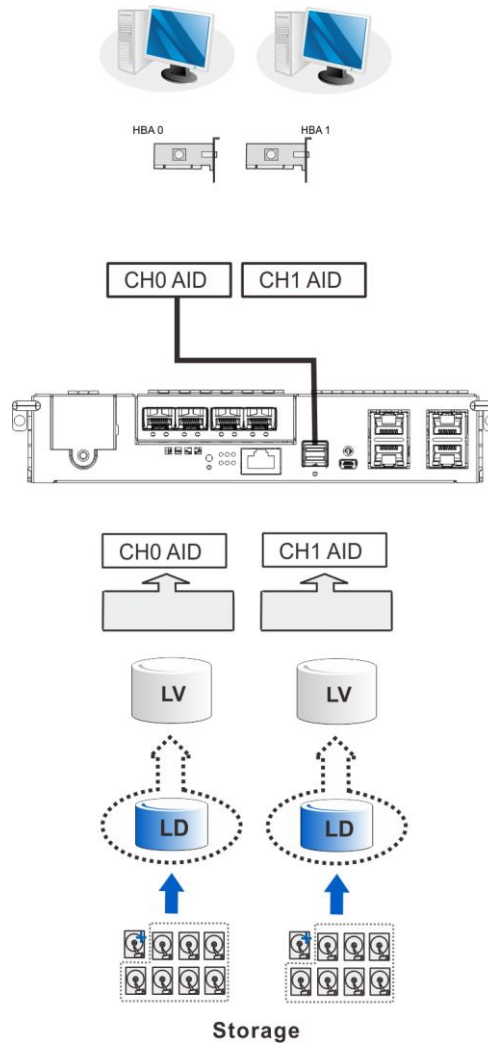
With more hard drives over the SAS expansion links, you can create more logical groups of drives. Avail these logical partitions using more LUN numbers.



NOTE

EonPath multipath software or Linux Device Mapper is necessary for controlling and optimizing the access to logical drives via multiple data paths.

DAS (Direct-Attached Storage) Connection to Two Servers



NOTE

If you would like a LUN (a logical partition) to be accessed by multiple hosts, file locking or multipath access control will be necessary.

iSCSI-Host Connections

Ethernet cable requirements:

- Ethernet cables are user-supplied. Cat5e shielded STP type network cables or better performance types (important for meeting the requirements imposed by emission standards).
- Straight-through Ethernet cables with RJ-45 plugs.
- Use of cross-over cables can also be automatically detected and re-routed for a valid connection.

Connection types:

- Directly to iSCSI initiators (software or hardware) or via Gigabit Ethernet switches.
- To servers equipped with iSCSI HBA – preferably a hardware TOE (TCP/IP Offload Engine) card, and then to client stations with an Ethernet NIC or iSCSI HBA.
- The system presents its logical volumes through SCSI-like IDs and LUNs. These RAID volumes then appear as iSCSI targets through the network.



NOTE

Even though iSCSI initiator software is a cost-effective way of building an iSCSI SAN, software initiator adds additional workload to the server CPU. It is recommended to apply iSCSI HBAs that come with TCP/IP offload engines in order to reduce overhead.

Network & Host Connection Topologies

The iSCSI host ports connect to Ethernet network devices and iSCSI initiators that comply with the IETF iSCSI standard (RFC 3720). Network connection of the iSCSI ports is flexible. The use of network connecting devices, subnet, Name Servers, or iSCSI management software can vary from case to case. In the following sections, configuration diagrams will be provided to illustrate the possible uses of the EonStorDS system in an iSCSI network.

Note that host NIC ports and the storage system's iSCSI host ports must be configured into the same subnet.

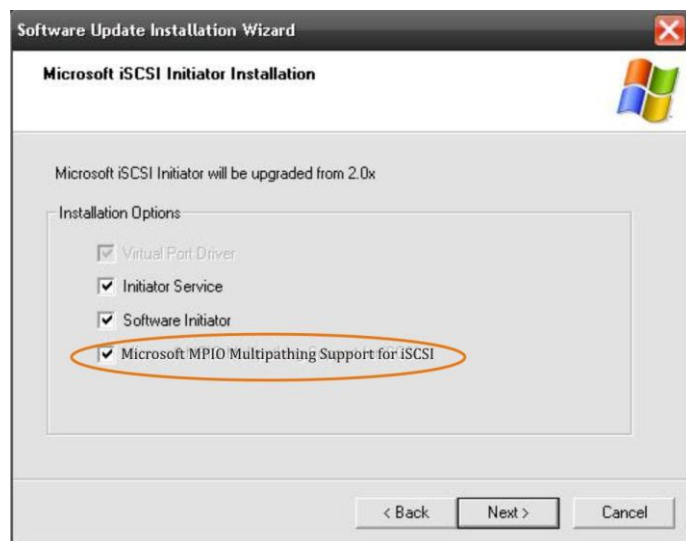
Please note the following:

- Use the Ethernet management port for management purposes only, i.e., SANWatch or telnet console. This Ethernet management port is not used for I/O transactions.
- Configurations such as subnet or Virtual LAN can separate iSCSI host links, decrease overhead, and eliminate the impact of link failure.
- Multiple arrays or logical partitions can be created and made available separately through different IDs or LUN numbers on the host ports. Usually, a RAID5 logical drive of eight (8) members often brings optimal array performance.

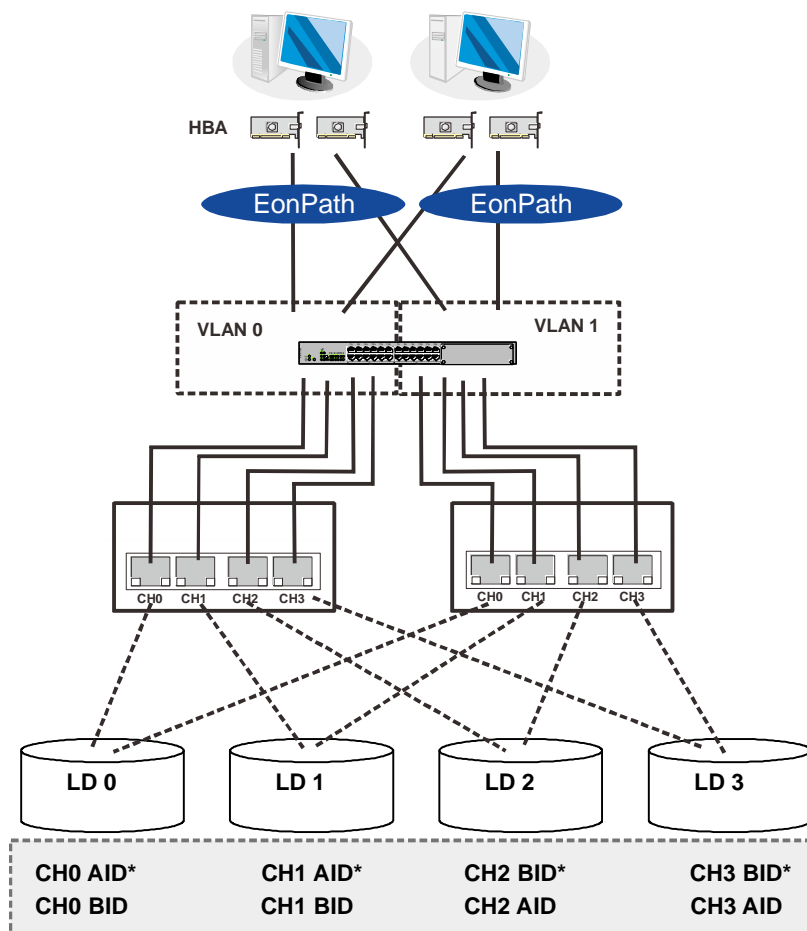


NOTE

If you are using Microsoft's software initiator, please de-select the embedded MPIO function when installing the software, as the MPIO selection creates conflicts with EonPath driver.



High Availability IP SAN with Redundant Controller



Component	Description
Storage system	iSCSI RAID managed by redundant controllers, with a total of 8 host ports
HBA	iSCSI initiators, preferably PCI-E TCP/IP offload engine (TOE) capable cards
GbE cables	GbE network cables
GbE switch	Ports divided into 2 virtual LANs to separate access from host to targets.
Software	EonPath to manage the fault-tolerant paths with failover/failback and load balance capabilities. Use EonPath multipath software so that your operating system can identify alternate paths to the same logical drive.
RAID	Remote replication functionality is not supported

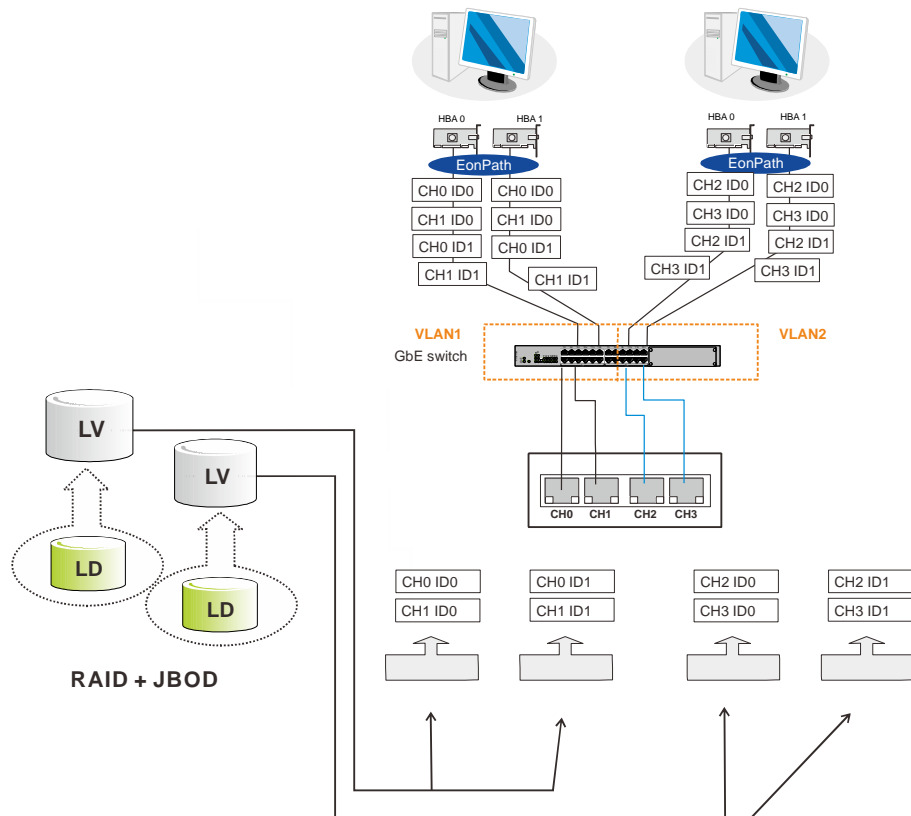


configuration	using this configuration. For remote replication setup, please refer to “High Availability IP SAN (Remote Replication Enabled) or “High Availability IP SAN with Port Trunk (Remote Replication Enabled)”. 4 logical drives (each has 4 member drives; for better performance, you can include drives from the expansion enclosure) LD0 mapped to CH0 AID and CH0 BID; LD assigned to controller A LD1 mapped to CH1 AID and CH1 BID; LD assigned to controller A LD2 mapped to CH2 AID and CH2 BID; LD assigned to controller B LD3 mapped to CH3 AID and CH3 BID; LD assigned to controller B
*	LD assignment

**NOTE**

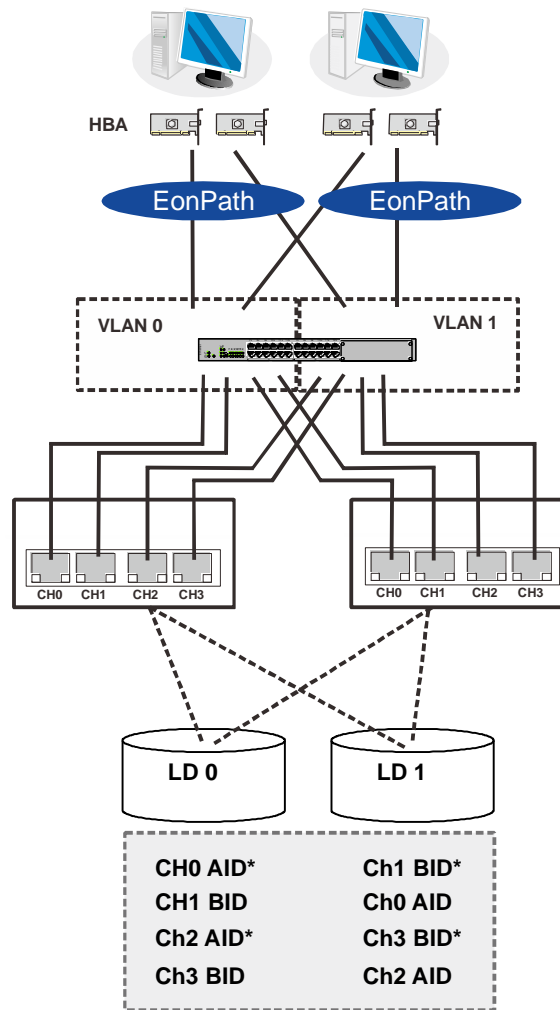
In the event of single controller failure, a logical drive is accessed through the host IDs managed by the alternate controller. Host IDs and port IPs do not fail-over to the surviving controller. Therefore, the EonPath multipath driver is necessary for path redundancy and controller failover.

Single-Controller with Fault-Tolerant Path



Component	Description
Storage system	iSCSI RAID managed by a single controller, with 4 host ports
HBA or NIC	iSCSI initiators, preferably PCI-E TCP/IP offload engine (TOE) capable cards
GbE cables	GbE network cables
Software	EonPath to manage the fault-tolerant paths with failover/failback and load balance
RAID configuration	<p>4 logical partitions (created from 2 logical volumes)</p> <p>2 Logical Volumes (each contains a logical drive)</p> <p>2 Logical Drives</p> <p>* Each logical partition appears on two different host links for the purpose of fault tolerance. Use EonPath multipath software so that your operating system can identify alternate paths to the same logical drive.</p>

High Availability IP SAN (Recommended Cabling Method for Remote Replication)



Component	Description
Storage system	iSCSI RAID managed by redundant controllers, with a total of 8 host ports.
HBA	iSCSI initiators, preferably PCI-E TCP/IP offload engine (TOE) capable cards.
GbE cables	GbE network cables
GbE switch	Ports divided into 2 virtual LANs; both controllers are linked to both virtual LAN zones.
Software	EonPath to manage the fault-tolerant paths with failover/ failback and load balance. Use EonPath multipath software so that your operating system can identify



	alternate paths to the same logical drive.
RAID configuration	<p>2 logical drives (each has 8 member drives). More logical drives can be created from drives in the expansion enclosure.</p> <p>LD0 mapped to CH0 AID, CH1 BID, CH2 AID and CH3 BID; LD has to be assigned to both controllers A and B to enable remote replication.</p> <p>LD1 mapped to CH1 BID, CH0 AID CH3 BID and CH2 AID; LD has to be assigned to both controllers A and B to enable remote replication.</p>

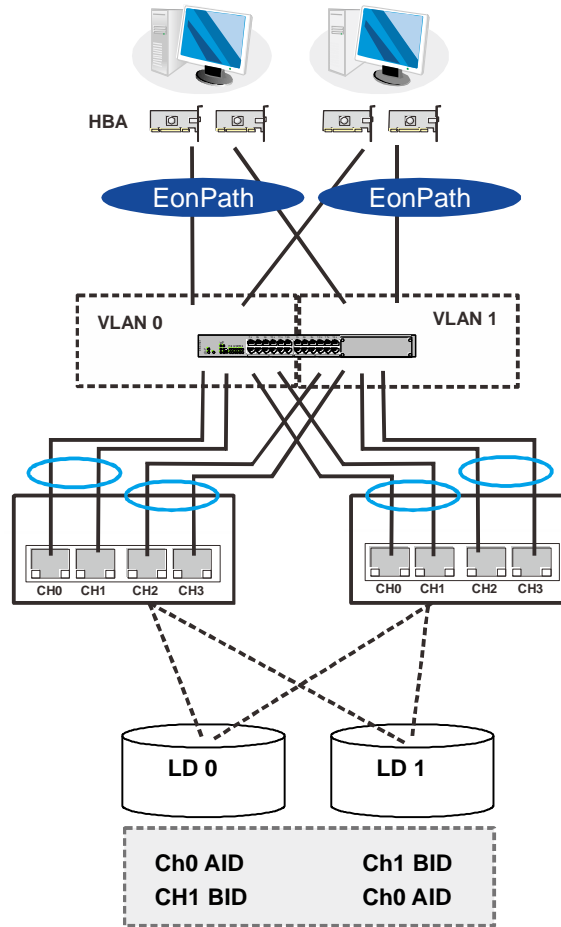


NOTE

In the event of single controller failure, a logical drive is accessed through the host IDs managed by the alternate controller. Host IDs and port IPs do not fail-over to the surviving controller. Therefore, the EonPath multipath driver is necessary for path redundancy and controller failover.



High Availability IP SAN with Port Trunk (Remote Replication Enabled)



Component	Description
Storage system	iSCSI RAID managed by redundant controllers, with a total of 8 host ports
HBA	iSCSI initiators, preferably PCI-E TOE cards
GbE cables	GbE network cables; port-trunking indicated by the blue circles
GbE switch	Ports divided into 2 virtual LANs; both controllers are linked to both virtual LAN zones
Software	EonPath to manage the fault-tolerant paths with failover/failback and load balance. Use EonPath multipath software so that your operating system can identify alternate paths to the same logical drive.

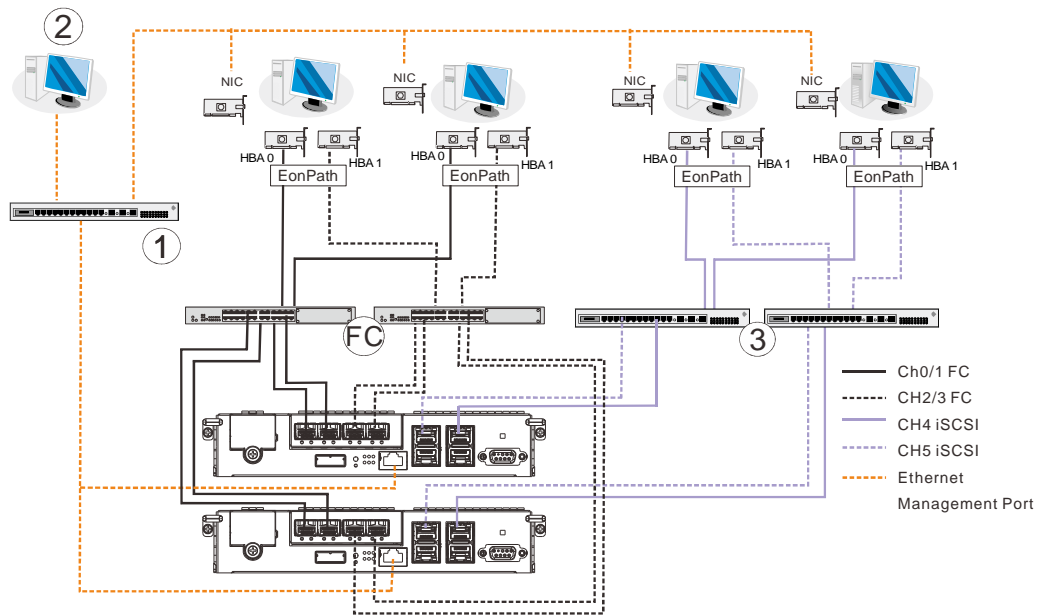


<p style="text-align: center;">RAID configuration</p>	<p>2 logical drives (each has 8 member drives). More logical drives can be created from drives in the expansion enclosure.</p> <p>LD0 mapped to CH0 AID and CH1 BID; LD has to be assigned to both controllers A and B to enable remote replication</p> <p>LD1 mapped to CH1 BID and CH0 AID; LD has to be assigned to both controllers A and B to enable remote replication</p>
--	--

Hybrid Host Connections

For hybrid systems that feature two additional iSCSI ports, they can be used for remote replication or be used for host LUN mapping if users wish to do so.

Single Hybrid Unit Connected to FC/iSCSI Hosts



When connected to both FC host and iSCSI host, the connections will work in their respective speeds. It maximizes the number of connections while keeping the optimum performance gained by the high speed FC link and FC switch (**FC**).

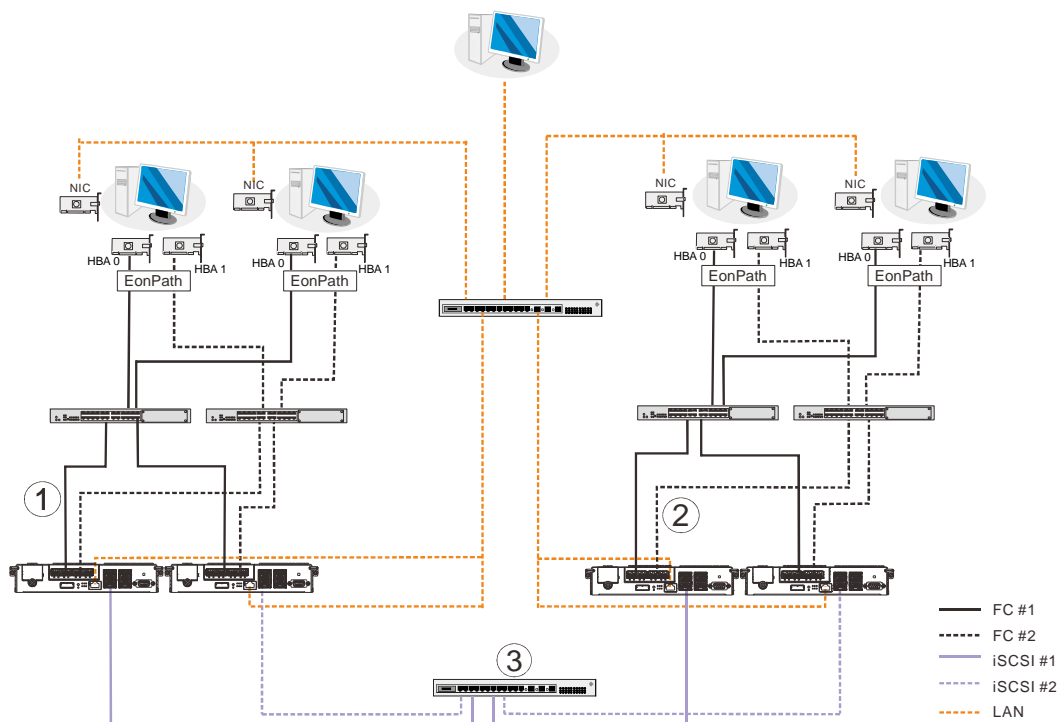


NOTE

To gain optimum performance, make sure the LAN switch (1) for the management station (2), the LAN switch for the systems, and the iSCSI switch (3) for iSCSI host link are separated.

Otherwise, the host might consider the iSCSI connection as part of host connection and might use it for data I/O, even if the iSCSI ports are not mapped to the host. As a result, the data transaction speed will slow down to the level of iSCSI connection and the fast FC connection bandwidth will be wasted.

Utilizing Hybrid iSCSI ports for Data Replication



The above diagram demonstrates how to utilize the iSCSI host ports for remote data replication.

The two hybrid systems, a source system **(1)** and a target system **(2)** reside within the same virtual pool but are physically apart. You want to create a volume copy/mirror pair for data protection, but do not want to rely on slow management LAN cable connections. In such case, you may link the hybrid systems using iSCSI host ports. If the distances between the enclosures are far, additional iSCSI switches **(3)** might be required in between.

The illustration above demonstrates how you can enjoy the full benefits of high-speed FC host link and management LAN connection, as well as a robust link for data protection (volume copy/mirror).

The SANWatch software suite, on which you configure the volume copy/mirror settings, will automatically detect the iSCSI data connection and will use it for data replication.



Expansion Enclosure Connections

A SAS host link cable is included per expansion enclosure. If you need to purchase other cables or if you need other cable(s) of different length, please contact your vendor.

The cable features include: 28AWG x 8 pair, 100ohm, black, UL approved, lead-free, 50cm, 120cm, or 170cm cable lengths, and connectors that can be secured to chassis using thumb screws or latching mechanism.



WARNING

All SAS cables are sensitive and must be handled with care. To prevent interference within a rack system, the cable routing path must be carefully planned and the cables must not be bent.

Please contact your vendor for a list of compatible components.

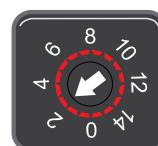
SAS Expansion Enclosure Configuration

The SAS expansion port connects to expansion enclosures. For dual-controller systems, each expansion port connects a controller to a corresponding expansion controller making fault-tolerant links to different SAS domains.

The following principles apply to storage system and expansion enclosure connections:

- Dual-controller storage system connects to dual-controller expansion enclosures.
- Single-controller storage system connects to single-controller expansion enclosures.
- A longer cable is available for making expansion links with a dual-controller configuration. A longer cable is required if connections to expansion enclosures are made from two opposite directions. Routing through two different connections can avoid loss of data links if one enclosure fails in between.

There is a rotary ID switch on every expansion enclosure that is manually configured using a flat blade screwdriver.



Configuring enclosure IDs:

- The configurable IDs for expansion enclosures are from 1 to 15. Usually the numbering starts from the one closest to the managing storage enclosure.
- Make sure a unique ID is configured on each expansion enclosure so that the SAS WWN addresses of disk drives can be properly assigned. The storage system firmware automatically manages these addresses.

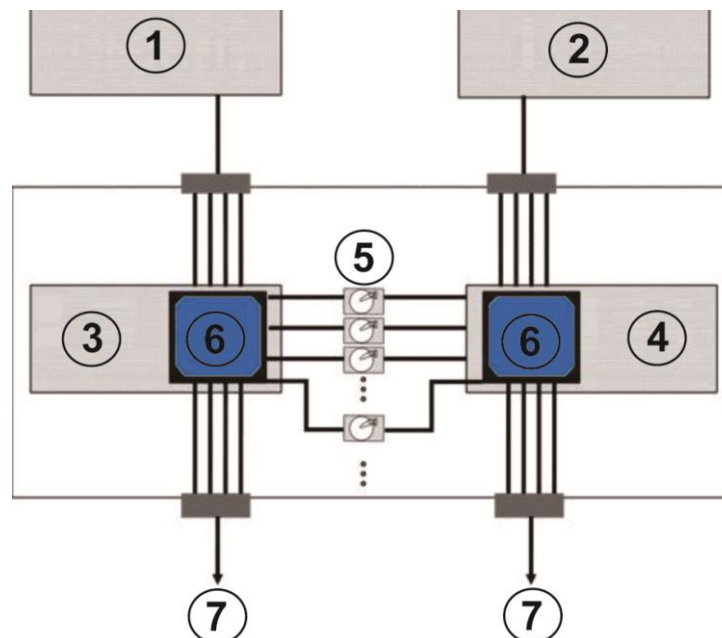


Configuration Rules


Following are the rules for connecting SAS interfaces across storage and expansion enclosures:

- Fault-tolerant links in a dual-controller combinations: Corresponding to SAS drives' **dual-ported** interface, two physical links are available from each disk drive, routed across the backplane board, each through a SAS expander, and then interfaced through a 4x wide external SAS port.
- With data paths through separate SAS domains, access to disk drives can be continued in the event of a cable link or SAS expansion controller failure.

Designation	Description	Designation	Description
1	Storage controller A	5	Dual-ported SAS drives
2	Storage controller B	6	Expander
3	Expansion enclosure controller A	7	To another expansion enclosure
4	Expansion enclosure controller B		



- Fault-tolerant Links to SAS disk Drives
- SAS expansion cables will be available with the expansion enclosures. Note

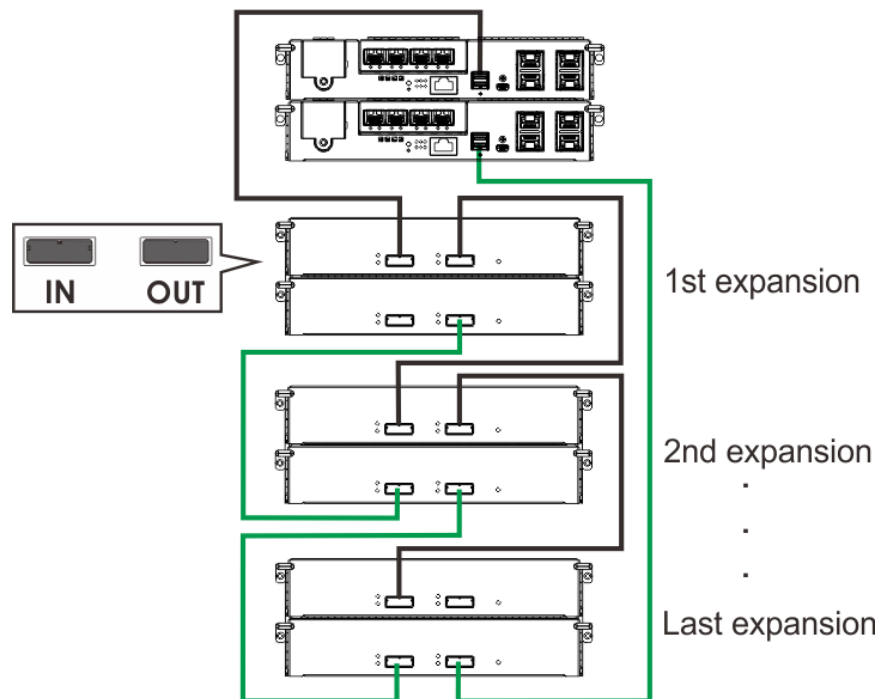


that if many expansion enclosures are connected, a longer SAS external cable (e.g., a 120cm cable) may be necessary for connecting a expansion enclosure from the opposite direction offering high redundancy.

- One expansion link connects expansion enclosures from the storage system to the nearest expansion enclosure, and then to the farthest one. Another expansion link connects to the farthest expansion enclosure from the opposite direction and then to the nearest one.
- Each expander controller on the SAS expansion enclosure controls a “**SAS Domain**” that connects one of the alternative interfaces on all of the disk drives in the enclosure. For example, one expander unit controls Domain A, and the other controls Domain B. In a fault-tolerant topology, the SAS external links always connect to the SAS ports on the same SAS Domain.
- The SAS Domains can be identified by the expanders’ locations, i.e., upper controller slot (Controller A/Slot A) or the lower controller slot (Controller B/Slot B).
- On the storage system, each controller can be considered as managing a separate SAS Domain. With the help of the port selector mechanism on the MUX boards, the idea of SAS Domain applies even when SATA drives are used in a dual-controller expansion enclosure.

Dual Controller Expansion Connection

- Storage system top SAS exp. -> 1st expansion enclosure top SAS-IN
- 1st expansion enclosure top SAS-OUT -> 2nd expansion enclosure top SAS-IN
- 1st expansion enclosure bottom SAS-OUT -> 2nd expansion enclosure bottom SAS-IN
- Storage system bottom SAS exp. -> last expansion enclosure bottom SAS-OUT

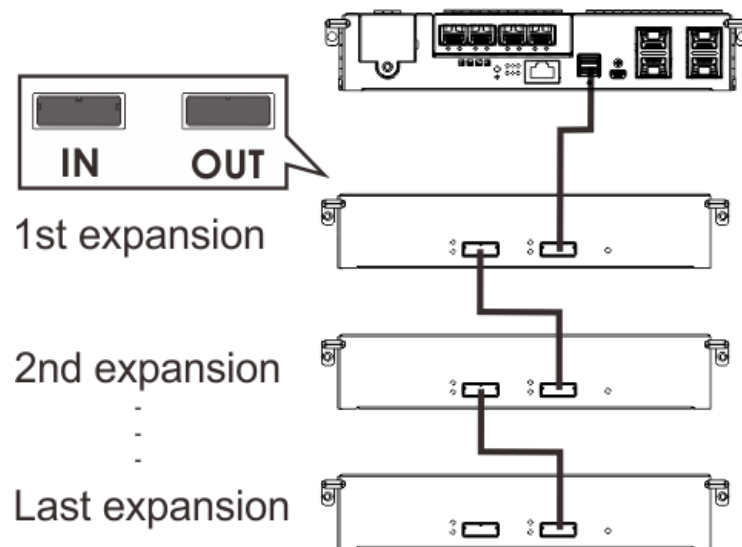


NOTE

To ensure redundancy, dual controller SAS expansion must be connected to the opposite ends of daisy-chained expansion enclosures (eg. first expansion enclosure and last expansion enclosure).

Single Controller Expansion Connections

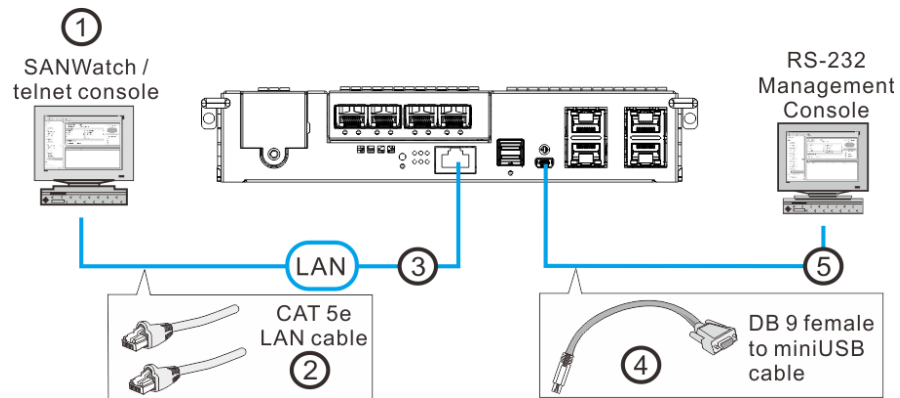
- Storage system SAS exp. → 1st expansion enclosure SAS-OUT
- 1st expansion enclosure SAS-IN → 2nd expansion enclosure SAS-OUT





Management Console Connections

Designation	Description	Designation	Description
1	SANWatch / telnet console	4	DB9 to mini USB
2	CAT5e LAN cable	5	SANWatch/ telnet console
3	Local area network		



Connecting storage system to external consoles:

- **Serial port (mini USB):** Use the cable supplied with the system to connect to mini USB port.
- **Ethernet port:** An Ethernet cable should be supplied by the user



NOTE

Because of the architecture, DS 1000 Gen2 can only work with S cable and can NOT work with Y cable.



The serial port's defaults are:

Baud Rate	38400
Data Bit	8
Parity	None
Stop Bit	1
Flow Control	Hardware

For TCP/IP connection and firewall configuration with a management station running SANWatch, please refer to SANWatch's online help or User's Manual. If your network environment is not running DHCP server protocols, a default IP, <10.10.1.1> can be used to access for the first time.



Power Connections

Once all hard drives have been properly installed and the I/O ports or management interfaces have been connected, the system can be powered on.

Checklist

BEFORE powering on the system, please check the following:

- **CBM:** Make sure the CBM has been properly installed before powering-on the system.
- **Hard drives:** Hard drives are correctly installed in the drive trays.
- **Drive trays:** All the drive trays, whether or not they contain a hard drive, have been installed into the system.
- **Cable connections:** The system has been correctly connected to host computer(s), management computers, or external networking devices.
- **Ambient temperature:** All system components have been acclimated to the surrounding temperature.

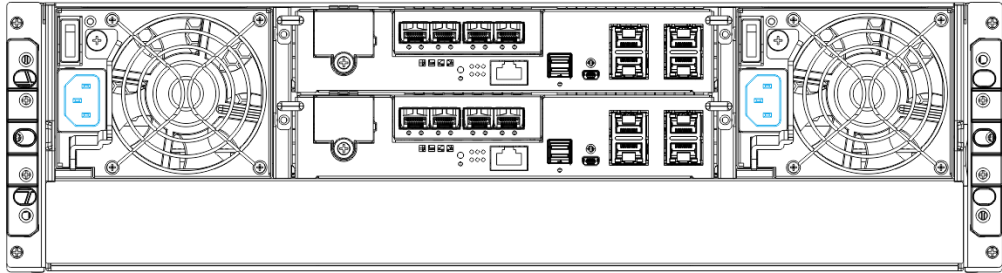


NOTE

Make sure you use the power cables provided that are at least 1.2 meters in length. **DO NOT** use extension cables as the power cables are designed to connect **ONLY and DIRECTLY** to relocatable power taps (RPTs) on server cabinets.

Connecting Power Cords

Use the included cables and connect them to the power sockets (in blue).

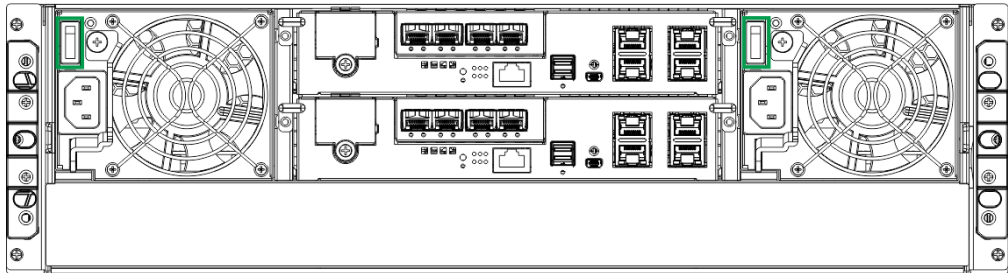


Power On Procedure

Before you power on the storage system, please power on the expansion enclosure first if your network configuration has multiple arrays.

To power on the system please follow the procedures below.

1. Turn on the power switches to the “on” position for every PSUs’ power switches (marked in green), from left to right.



NOTE

Please make sure all power supply modules’ switches are turned on.

2. Power on the networking devices, e.g. switches.
3. Power on the host computers. The host computers should be the last devices that are turned on. Please refer to the documentation that came with your host computers to see their power on procedures.



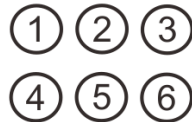
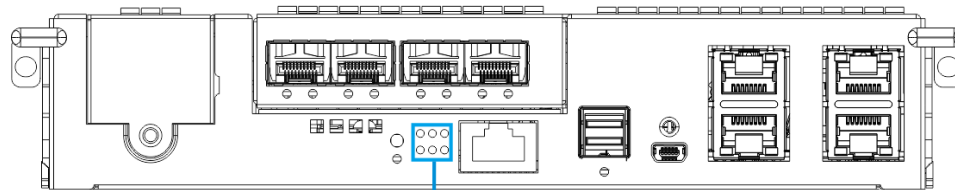
Power On Status Check

As a general rule, once the system has been powered on, there should **NOT** be LED(s) that light up **amber** nor should you hear an audible alarm from the system. You should begin verifying system statuses via the following monitoring interfaces:

- LEDs on rear chassis, including controller module, PSUs, and cooling modules (refer to [System Monitoring](#)).

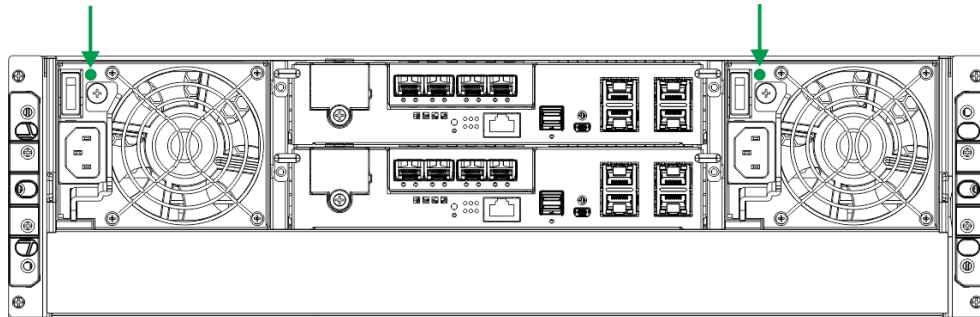
Controller LEDs:

1.	Ctrl Status LED: On (green)	4.	CBM Status LED: On (green) or Off (if not installed)
2.	C_Dirty LED: Off	5.	Hst Bsy LED: On (green)
3.	Temp LED: Off	6.	Drv Bsy LED: On (green)



PSU & Cooling Module LEDs:

PSU LED: On (green)





Power Off Procedure

If you wish to power down the system, please follow these steps:



NOTE

If you wish to power down the system, please ensure that no time-consuming processes, like “Regenerate Logical Drive Parity” or a “Media Scan,” are taking place.

1. Stop I/O access to the system

Close your applications running on the host computers to stop all I/O access to the system.

2. Flush the cache

Locate the C_Dirty LED (refer to [Controller LED](#)) on the controller module to check if there is still cached data in the DRAM (if the LED is lit up in **amber**).

3. Use the Shutdown Controller function to flush all cached data (please refer to the SANWatch manual)

4. Once the cache has been flushed, you may proceed to power down the system.



System Monitoring

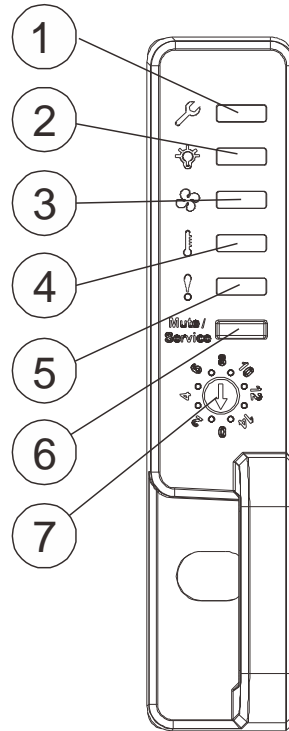
The EonStorDS series is equipped with a variety of self-monitoring features that help keep system managers aware of system operation statuses.

Monitoring Features

You may monitor the system through the following features:

- **Firmware:** The controller in the system is managed by a pre-installed firmware, which is accessible in a terminal program via the serial port. For more details, see the Firmware manual in the CD-ROM.
- **SANWatch:** SANWatch is a browser-based Graphical User Interface (GUI) that can to monitor and manage the system locally or remotely over TCP/IP network, via the Ethernet Management port. The management session is conducted using the Ethernet management port. For more details, see the SANWatch manual in the CD-ROM.
- **LEDs:** LED indicators notify users of system status, events, and failures. LEDs are located on both the front and rear panel of the chassis. For details, see and subsequent sections.
- **Audible alarm:** Audible alarm will be triggered in case of system failures. For details, see [PSU / Cooling Module LEDs](#).

LED Panel LEDs



Storage System

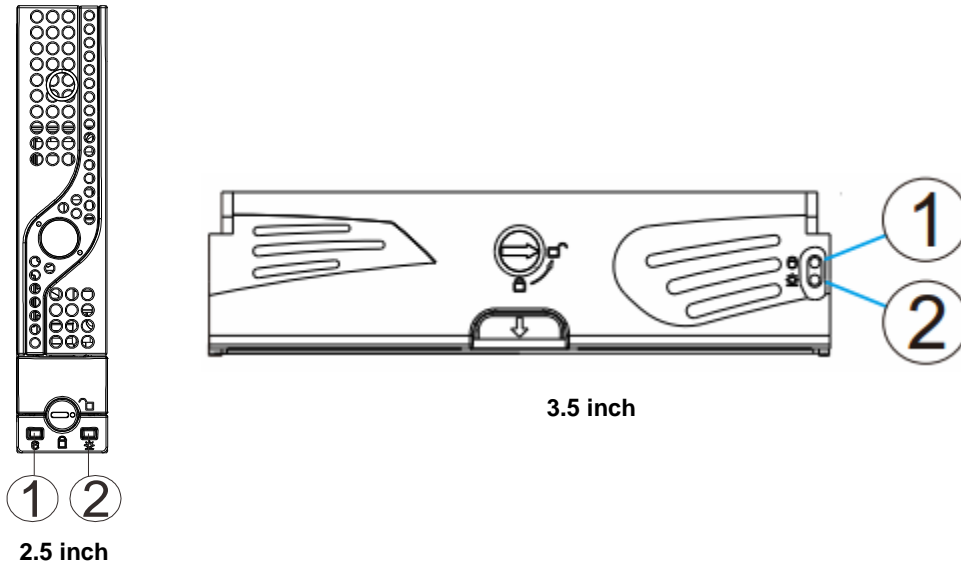
Name	Color	Status
1. Service	White	<p>White indicates that the system is being serviced or is requiring services.</p> <p>Off indicates that the system is not being serviced nor is requiring services.</p>
2. Power	Green/ Amber	<p>Green indicates that the system is powered properly.</p> <p>Amber indicates that there is a power failure in the system.</p>
3. Cooling fan	Green/ Amber	<p>Green indicates that the cooling fan is operating properly.</p> <p>Amber indicates that there is a cooling fan failure in the system.</p>



4. Thermal	Green/ Amber	Green indicates that the internal temperature is within the safety threshold. Amber indicates that the internal temperature has gone over the safety threshold.
5. System fault	Green/ Amber	Green indicates that the system is operating normally. Amber indicates that the system has encountered abnormal conditions:
6. Rotary ID switch (Expansion enclosure)	N/A	Expansion enclosure ID switch: Allow users to set enclosure IDs when connected to expansion enclosure(s).
7. Mute/ service button	N/A	Pressing less than one second mutes the audible alarm. Pressing more than two seconds sends a service notification to the host computer.

Drive Tray LED

Two LED indicators are located on the right side of each drive tray. When notified by a drive failure message, you should check the drive tray indicators to find the correct location of the failed drive.

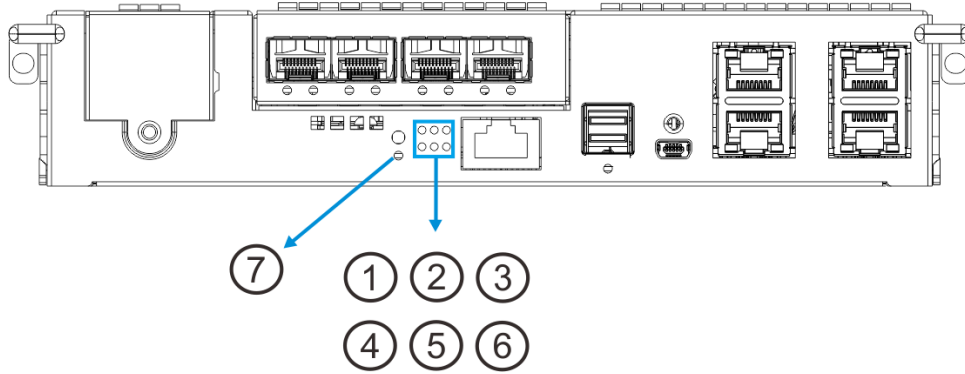


Name	Color	Status
1. Drive Busy	Blue	<p>Flashing Blue indicates data is being written to or read from the drive. The drive is busy.</p> <p>Steady Blue indicates that a hard drive is plugged-in but there is no activity on the disk drive.</p>
2. Power Status	Green / Red	<p>Green indicates that the drive bay is populated and is working normally.</p> <p>Red indicates that the disk drive has failed, or a connection problem occurred.</p>



Controller LED

Controller LED for Storage Systems



Name	Color	Status
1. Ctrl Status	Green/ Amber	<p>Green indicates that a controller is operating healthily.</p> <p>Amber indicates that a component failure has occurred, or inappropriate RAID configurations have caused system faults. It is also lit during the initialization process.</p>
2. C_Dirty	Amber	<p>Amber indicates the following:</p> <ul style="list-style-type: none"> - Cache Memory is dirty. - Data in flash backup module is being flushed to cache. - Errors occurred with cache memory (ECC errors). - Data is being flushed from flash backup module to drive (when power is restored). - Battery voltage is lower than 2.5V. - Battery temperature reading is abnormal (out of the 0 to 45°C range). - Battery is not present. <p>Off indicates that the cache is clean, and that the battery backup unit is capable of sustaining memory in case of power loss.</p>

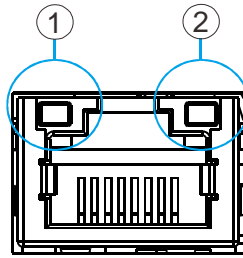


		<p>Blinking Amber indicates cached data is being transferred to the flash module after the occurrence of a power outage. Once the transfer is done, all LEDs will turn off.</p> <p>This signal is local to each controller.</p>
3. Temp.	Amber	<p>Amber indicates that the detected CPU/board/chassis temperature has exceeded the higher temperature threshold.</p> <p>Off indicates that the detected temperature reading is within the safe range.</p>
4. CBM Status	Green/ Amber	<p>Green steady on indicates the CBM module is ready. Both a BBU and flash modules are present.</p> <p>Amber steady on indicates CBM failure, meaning either BBU or flash has failed. When lit, it also indicates either BBU or a flash is missing in a redundant-controller system.</p> <p>Blinking means a BBU is being charged.</p> <p>Off means BBU is not installed in a single-controller "G" model.</p>
5. Hst Bsy	Green	Blinking Green to indicate traffic on the host bus.
6. Drv Bsy	Green	Blinking Green to indicate traffic on the drive channels.
7. Restore Default	Green	Green indicates the RAID configuration default has been successfully restored. The LED state will be invalidated after a few seconds.

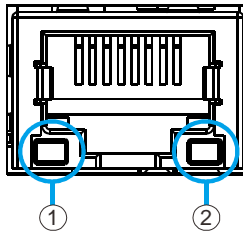


iSCSI / Ethernet Management Port LEDs

Type I



Type II



Name	Status	Status
1. Speed status LED	Green	Green indicates 1Gb connection established.
	Off	Off indicates 10/100Mb connection established or no connection established.
2. Link / activity	Amber	Steady amber indicates a connection has been established.
		Flashing amber indicates data I/O.
		Off indicates connection not established.

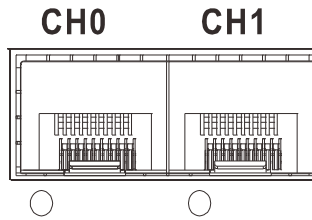


NOTE

The Ethernet management port supports only 100Mbps and 1000Mbps (1Gbps) speeds.

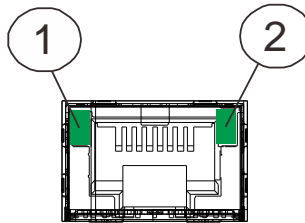


10Gb iSCSI Host Port LEDs (Fibre)



LED status	Color	Status
Steady ON	Green	Steady green indicates a link has been established.
Flashing	Green	Flashing green indicates an active link.
Off	Off	Off indicates a link has not been established.

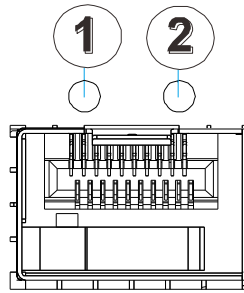
10Gb iSCSI Host Port LEDs (RJ45)



Name	Status	Status
1. Speed	Green	Indicates 10Gb connection is established.
	Amber	Indicates 1Gb connection is established.
	Off	Indicates 10/100Mb connection is established.
2. Link / Active	On	Indicates a connection is established.
	Flashing	Indicates data activity.
	Off	Indicates connection is not established.



8Gb Fibre-Host Port LEDs

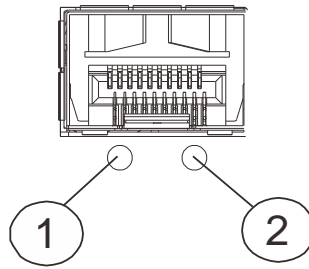


Each controller module houses fibre channel host ports. Each of these ports has two LEDs for displaying the operating status.

Name	Color	Status
1. Link	Green	Green indicates an established link. Off means a link is broken.
2. 8 / 4 / 2Gb	Green / Amber / Off	Green indicates 8Gb connection.
		Amber indicates 4Gb connection.
		Off indicates 2Gb speed or no connection.

For systems that come with 8Gb Fibre channel host ports. They deliver fast I/O performance for Storage Area Network (SAN) applications. Optical cables can be used over distances and have been shown to be more reliable. Due to the demands of high transfer rates, optical cables are preferred for 8 / 4Gb fiber connectivity. Optical cables are also less susceptible to EMI.

16Gb Fibre Channel Host Port LEDs



Name	Status	Description
1. Link / Active	ON	Indicates an established connection.
	Flashing	Indicates data activity.
	Off	Indicates that a connection is not established.
2. Speed	Green	Indicates a 16Gb connection is established.
	Yellow	Indicates an 8Gb connection is established.
	Off	Indicates a 4Gb or slower connection is established.



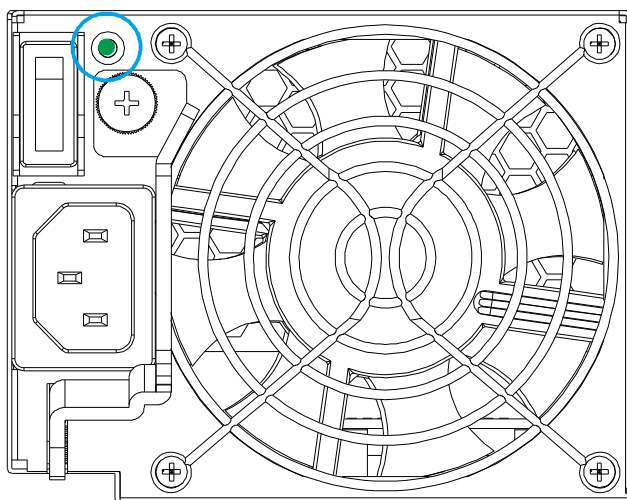
12G SAS-Host Port LEDs



Name	Color	Status
SAS Link Status	Green	Steady Green indicates that all 4 PHYs are validly linked to external devices.
		Blinking indicates less than 4 PHY links are connected (at least one 1 of the 4 PHYs links has failed).
		Off indicates all 4 PHYs links are offline.

PSU / Cooling Module LEDs

The PSU (Power Supply Unit) contains the LEDs for the PSU and the cooling module statuses. When either of the unit fails, you need to replace the PSU as soon as possible. For details, please refer to [Replacing the Power Supply Module](#).



PSU & Cooling Module Status LED

Status	Description
Flashing (Green)	The system is connected to power supply but the power switch has not turned on.
On (Green)	The PSU / cooling module is operating normally.
On (Amber/Amber flash)	The PSU / cooling module is faulty.



Alarms and I²C Bus

Other monitoring schemes include audible alarms and I²C bus.

Audible Alarms

If any of the following components fails, the audible alarm will be triggered:

- Cooling fan modules
- PSU modules
- CBM module
- Hard disk drives
- Sensors or presence detection circuitries

If the system administrator hears an alarm, the manager must read the error message on the terminal or SANWatch screen to determine what has triggered the alarm, and then take appropriate actions to rectify the problem. The alarm can be turned off using the [mute button](#) on the front panel and the Alarm beep pattern is described in the Troubleshooting Guide included in the CD-ROM.



NOTE

When temperature exceeds a preset threshold, the controller's charger circuits will stop charging. You will then receive a message that reads "Thermal Shutdown/Enter Sleep Mode." When the temperature falls back within normal range, the battery will resume charging.

I²C

The operating status of PSU and cooling fan modules are collected through an I²C serial bus. If either of those modules fails, the failure will be detected and you will be notified through the same methods as in the audible alarms.

Restoring Default System Settings



NOTE

Restoring default settings is a last-resort function. All configurations, such as parameters and host LUN mappings, will be erased.

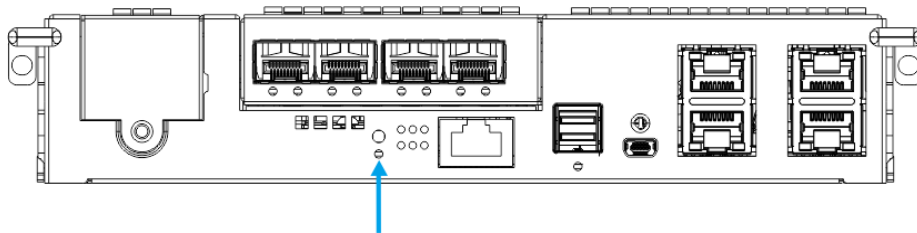
You may need to restore default settings in the following cases:

- When the firmware update procedure requires it.
- When you need to reset the password to access the storage system.

Restoring Default Settings

To restore default settings for dual-controller models, follow these steps.

1. Stop all host I/Os.
2. Save the current configuration using the “**Export NVRAM**” function.
3. You may also want to make a list of the existing ID/LUN mapping information because the default restoration will erase the ID/LUN mapping associations (e.g., which logical drive is associated with which host ID/LUN)
4. Remove Controller B from the chassis. Please refer to [Removing the Controller](#).
5. Power off the storage system.
6. Press and hold the [Restore Default button](#) (indicated by the **blue arrow**) on Controller A. You may use a straightened paper clip to press the button. While pressing the Restore Default button down, power on the storage system.



7. When the “**Restore Def.**” LED (indicated by the **black arrow**) lights up and the “**Default Restored**” firmware event message appear, you may release the Restore Default button (the system default has been restored).



8. Restore previous settings using the “**Import NVRAM from reserve space**” or “**Restore NVRAM from Files**” in the firmware. ID/LUN mapping will be restored.

*The Single controller system’s restore default procedure is complete and for **Dual Controller** systems, please continue with the following procedures.

9. Power off the system.
10. Replace Controller A with Controller B (Controller B will be inserted into Controller A’s slot) While leaving Controller B slot empty with Controller B in slot A, perform the above steps 1 to 8 to restore Controller B to default settings.
11. Put both Controller A and Controller B into their original positions and power up the system.



System Maintenance



WARNING

Do not remove a failed component from the system until you have a replacement on hand. If you remove a failed component without immediate replacement, it will disrupt the internal airflow.

Qualified engineers who are familiar with the system should be the only ones who make component replacements.

When inserting a removable module, do not use excessive force. Forcing or slamming a module can damage the connector pins either on the module itself or on the backplane.

The following components can be replaced:

- Controller module (please refer to [Replacing the Controller Module](#))
- Memory module (please refer to [Replacing the Memory Module for Storage Systems](#))
- CBM module (please refer to [Replacing the CBM for Storage Systems](#))
- Host board (please refer to [Replacing the Controller Host Board](#))
- PSU module (please refer to [Replacing the Power Supply Module](#))
- Hard drive (please refer to [Replacing the Hard Disk Drive](#))

Replacing the Controller Module(s): Single / Dual /

Simultaneous Upgrade



WARNING

Controller firmware **MUST** be identical for proper functionality.

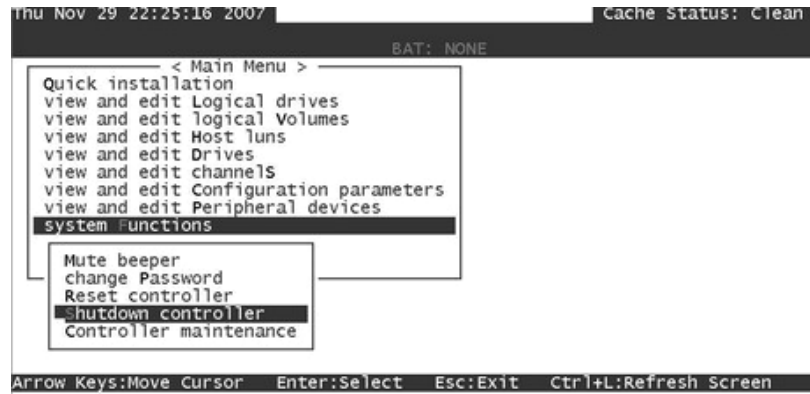
DO NOT mix controller modules from different models. Each controller has a unique ID which is applied to host port names. As the result, you may encounter SAN problems with identical port names on multiple systems.

When removing a controller from a single-controller system, ensure that your applications have been shut down beforehand.

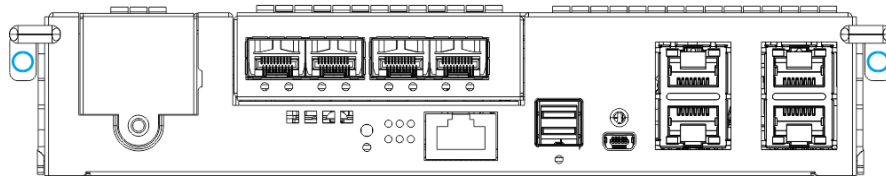
Controller firmwares **MUST** match before you replace a controller in a dual controller system, please check if the firmware of the operational controller matches the replacement controller sent to you. The replacement controller sent to you will state its firmware version with a label on the packaging. To find out the firmware version of your operating controller, use Storage Manager > Information > Enclosure View in SANWatch (please refer to the SANWatch Manual for details).

To update the firmware, please refer to the following:

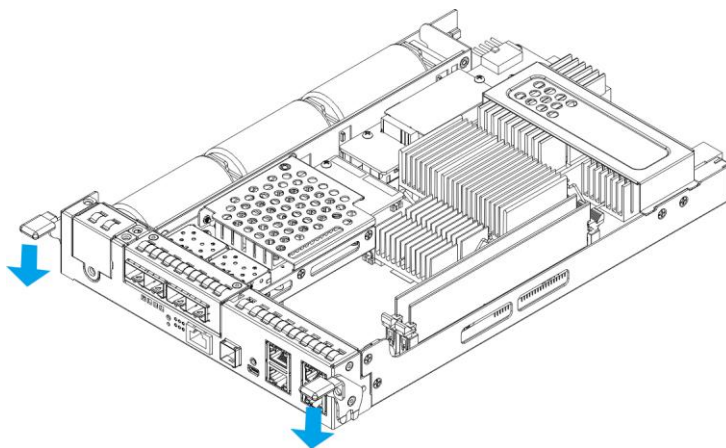
- a. EonStorDS SANWatch User Manual on Upgrading the Firmware
 - b. Firmware Manual on System Functions: Upgrading Firmware
1. Prepare a clean, static-free work pad or container to place the controller.
 2. **(Replacing single controller models or both controllers simultaneously)**
Shut the system down. Stop all I/O access to the system and make sure all cached writes have been distributed to disk drives using firmware's Main Menu > System Functions > Shutdown controller function. [Power off the system](#) and turn off the power switches and unplug the power cords from PSUs.



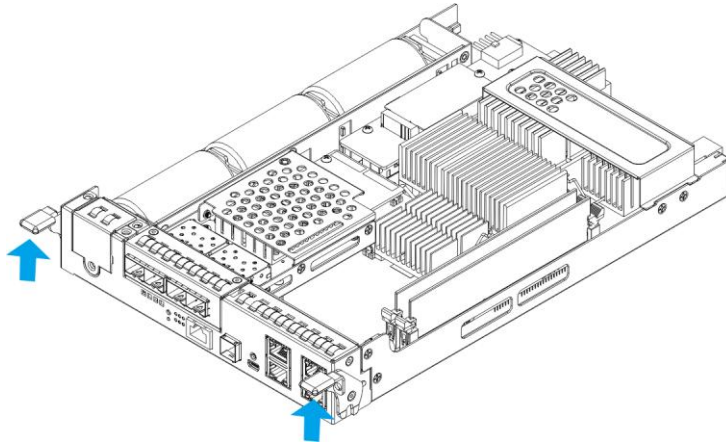
3. **Disconnect all cables** that are connected to the controller module.
4. **Loosen the screw (shown in blue)** that secures the control module's ejection levers.



5. **Push the ejection levers downwards (indicated by the blue arrows)**. The controller module will automatically ease out of the controller module bay.



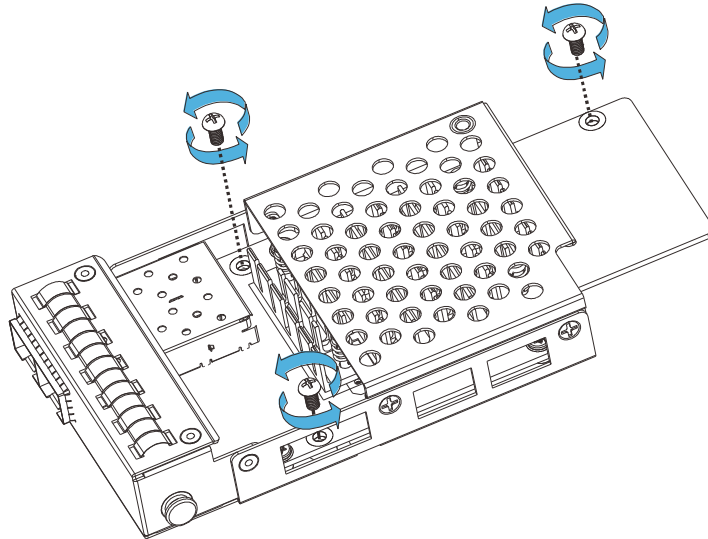
5. **Insert the new controller module**. Carefully push the controller until you feel the contact resistance when the board edge connectors are engaging the backplane. Push the ejection levers upward (indicated by the blue arrows) and fasten the retention screw on the ejection levers.



7. Reattach all the cables.
8. **For single controller models or when replacing both controllers simultaneously, power up the system.** Check system message on the LCD screen, SANWatch, or firmware menu-driven utility. When the replacement controller is successfully brought online, the [Power On Status LEDs](#) should turn on properly.
9. **For single controller models or replacing both controllers simultaneously, Restoring NVRAM data.** To restore previous ID/LUN mapping settings, users may use the following options:
 - Use the “**Restore NVRAM from Disks**” or “**Restore NVRAM from Files**” functions in the firmware. ID/LUN mapping will be restored.

Replacing the Controller Host Board

1. [Power off](#) (if you have a single controller system and it is in operation) the system and [remove the controller](#) from the enclosure.
2. Remove the existing host board from the controller by loosening the three screws.



3. By holding onto the edges of the PCB, carefully remove the host board from its antistatic package.
4. Install the new host board into the exact same position and secure it with three screws.



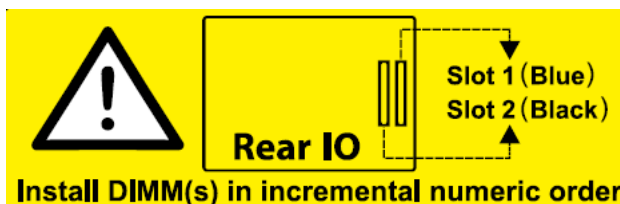
Replacing the Memory Module on Storage Systems

The controller comes with pre-installed DRAM module(s). You may upgrade it or replace it when the original module malfunctions (shown as the “NVRAM failure” event in SANWatch).



WARNING

If you are installing only one or replacing just one DRAM module, with the I/O ports pointing at you, always install to the DRAM slot on the right (blue slot).



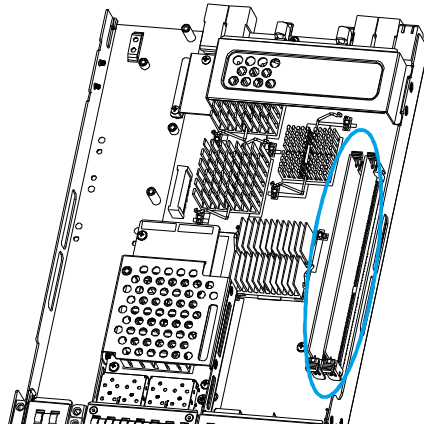
Follow the ESD Precautions (refer to [ESD Precautions](#)).

Contact your system vendor for selecting a compatible DRAM module.

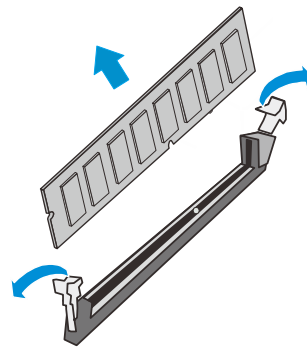
Reusing the DRAM module removed from a failed controller is not recommended unless you have a similar storage system to test its integrity.

Installing the DIMM Module

1. Remove the controller module (refer to [Replacing the Controller Module](#)).
2. **Wait for one minute** for the remaining electricity on the main board to disperse.
3. Push down the clips on the sides of the DIMM socket (indicated by the **blue circle**). The DIMM will eject automatically from the socket.

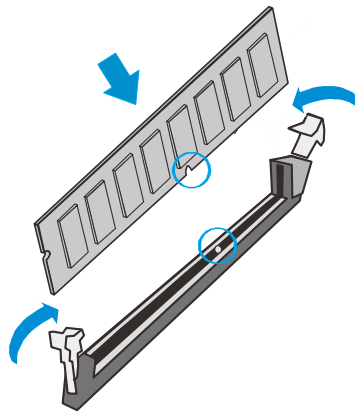


DRAM location



Removing the module

4. **Insert the replacement module.** Make sure the side clips are in the open positions. Align the DIMM module with the socket and firmly push the DIMM module into the socket. The side clips will close automatically and secure the DIMM module into the socket.



5. **(If applicable)** Reinstall the BBU module (refer to [Replacing the BBU](#)).
6. Reinstall the controller module into the chassis (refer to [Replacing the Controller Module](#)).



Replacing the CBM for Storage Systems

Upgradeable / replaceable components are listed below:

- **Battery Backup Unit (BBU):** In the event of a power failure, the BBU can help store/ save cached data in the DRAM module for up to 72 hours or longer with super capacity BBU..
- **Battery Backup Unit (BBU) + Flash Backup Module (FBM):** In the event of a power failure, the combination of BBU+FBM (non-volatile flash storage) can store the data, indefinitely.



WARNING

Make sure you have the replacement module(s) on-hand before you attempt to replace the CBM.

Make sure the flash backup module has been installed before installing the BBU. Please refer to procedures mentioned in [Installing the BBU](#) section.

The CBM consists of a battery backup unit (BBU) and flash backup module (FBM). The CBM can sustain and transfer cached data to a flash backup module in the event of a power outage or in the unlikely event of both PSUs failing.

The CBM (BBU and FBM) are optional items for single controller system by default.



BBU Fault Conditions and Precautions

If a BBU leaks, gives off a bad odor, generates heat, becomes discolored or deformed, or in any way appears abnormal during use, recharging or storage, immediately remove it from the system and stop using it. Here are some of the conditions that might trigger BBU fault.

- The temperature sensor on the system's charger circuit reports a temperature reading exceeding the pre-set threshold. The charger circuits will enter a low-power and self-protection state.
- A BBU module has been charged for over twelve hours. A timer is embedded with the charger. When this occurs, the charger will enter a timer fault state. Charging will resume automatically after you remove/re-install the BBU module or reset the system.

Follow these precautions when you install the BBU.

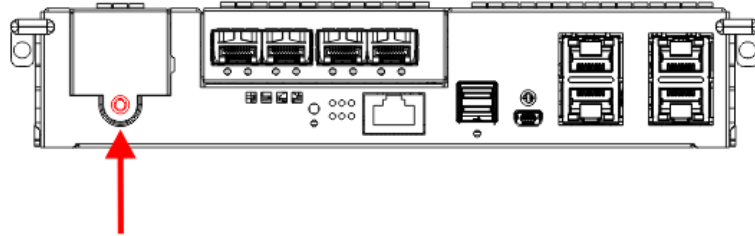
- Use the replacement BBU supplied by your distributor. Use of battery cells provided otherwise will void your warranty.
- Dispose of used BBUs at authorized battery disposal sites only.
- Do not place a BBU near a heat source.
- Do not immerse the BBU in water or expose it to liquids.
- Do not disassemble or modify the BBU.
- Do not pierce the BBU with a sharp object, strike it with a hammer, exert pressure on it, or throw it.



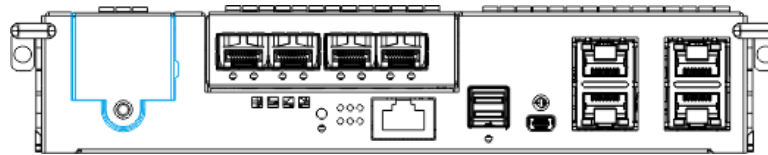
Replacing the Battery Backup Unit (BBU)

To replace the BBU, follow these steps:

1. Simply loosen the thumb screw (shown in red).



2. Using the thumb screw as an anchor, gently pull out the BBU (shown in blue).



3. Install the replacement BBU module and fasten the thumb screw.



NOTE

A replacement BBU takes approximately twelve hours to charge to its full capacity.

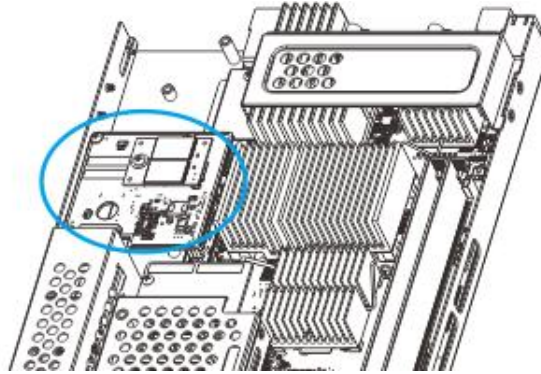
The life expectancy of a BBU is three(3) years.

If the cause of a failure cannot be determined even after a BBU module is replaced, contact your system vendor.

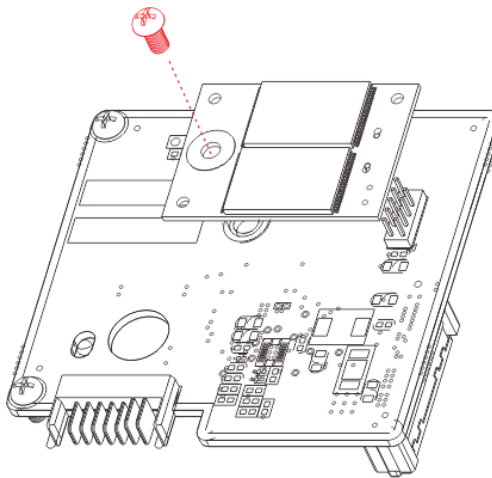
Replacing the Flash Backup Module (FBM)

To replace the flash backup module (FBM), please follow these steps:

1. Remove the controller module (refer to [Replacing the Controller Module](#)).
2. Locate the flash backup module



3. Secure the new SSD with the screw (shown in red). Be sure the SSD and the screw is fully attached to the controller.





Replacing Super Capacitor and Flash Backup Module

Upgradeable / replaceable component is listed below:

- **Flash Backup Module (FBM):** In the event of a power failure, the combination of Super Capacitor + FBM (non-volatile flash storage) can store the data, indefinitely.



WARNING

Make sure you have the replacement module(s) on-hand before you attempt the replacement procedure.

Make sure the flash backup module has been installed before installing the Super Capacitor. Please refer to procedures mentioned in [Installing the BBU](#) section.

The Super Capacitor and flash backup module can sustain and transfer cached data to a flash backup module in the event of a power outage or in the unlikely event of both PSUs failing for permanent storage.

The Super Capacitor and flash backup module are optional items for single controller system by default.



Super Capacitor Fault Conditions and Precautions

If a Super Capacitor leaks, gives off a bad odor, generates heat, becomes discolored or deformed, or in any way appears abnormal during use, recharging or storage, immediately remove it from the system and stop using it. Here are some of the conditions that might trigger Super Capacitor fault.

- The temperature sensor on the system's charger circuit reports a temperature reading exceeding the pre-set threshold. The charger circuits will enter a low-power and self-protection state.
- A Super Capacitor module has been charged for more than ten (10) minutes. A timer is embedded with the charger. When this occurs, the charger will enter a timer fault state. Charging will resume automatically after you remove/re-install the Super Capacitor module or reset the system.

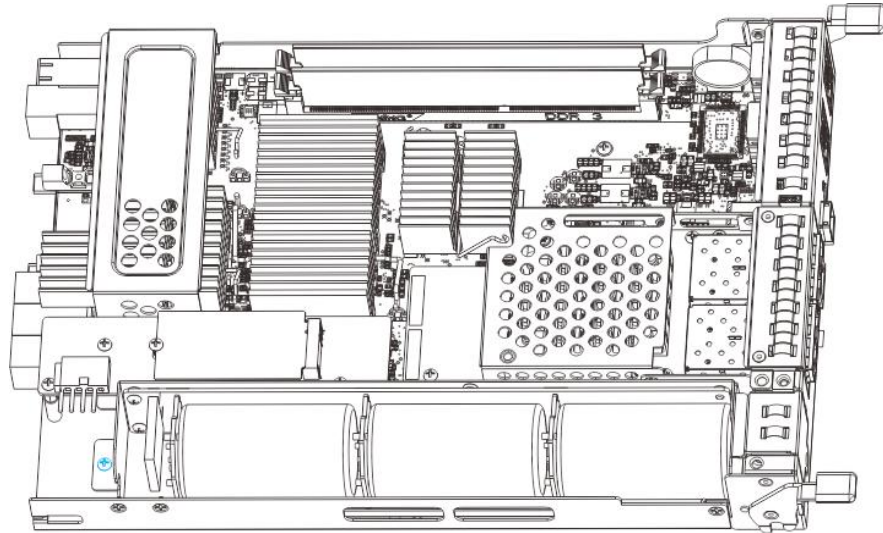
Follow these precautions when you install the supercapacitor battery.

- Use the replacement supercapacitor supplied by your distributor. Use of capacitors provided otherwise will void your warranty.
- Dispose of used Super Capacitor at authorized battery disposal sites only.
- Do not place a Super Capacitor near a heat source.
- Do not immerse the Super Capacitor in water or expose it to other forms of liquids.
- Do not disassemble or modify the Super Capacitor.
- Do not pierce the Super Capacitor with a sharp object, strike it with a hammer, exert pressure on it, or throw it.

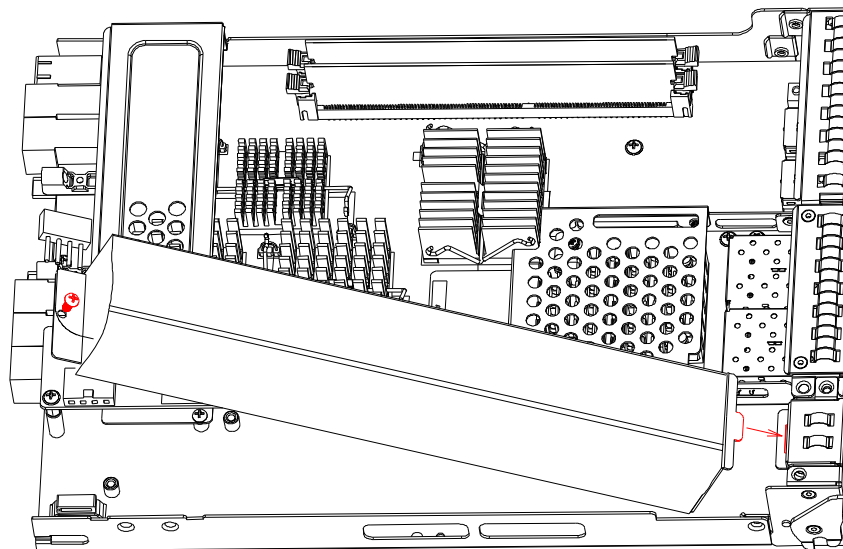
Replacing the Super Capacitor

To replace the BBU, follow these steps:

1. Remove the controller module (refer to [Replacing the Controller Module](#)).
2. Loosen the screw at the end of Super Capacitor



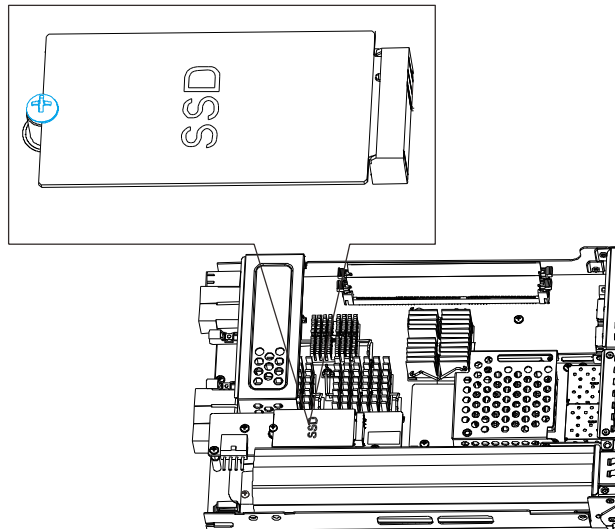
3. Lift the Super Capacitor from the screw end at 45 degree angle.
4. Insert the replacement Super Capacitor at a 45 degree angle, make sure the protrusion meets at the front and secure the Super Capacitor with the supplied screw once it is in place.



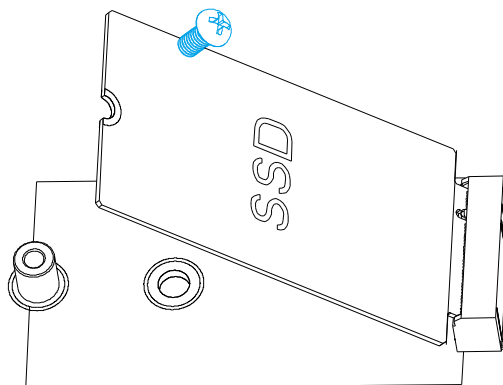
Replacing Flash Backup Module (coupled with SuperCap)

To replace the flash backup module, follow these steps:

1. Remove the controller module (refer to [Replacing the Controller Module](#)).
2. Loosen the screw at the end of flash backup module and remove the flash backup module.



3. Insert the replacement flash backup module on a 45 degree angle, gently lower the other end of the SSD and secure it with the original screw.



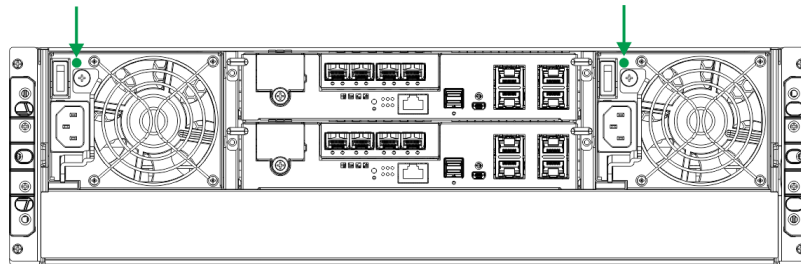
Replacing the Power Supply Module / Cooling Module

The power supply units (PSU) are configured in a redundant configuration with each PSU housed in a robust steel canister.

Detecting a Failed PSU

If a PSU module fails, the system notifies you through the following indicators:

- PSU status LED locations



- Audible alarm (refer to [Audible Alarms](#))
- Firmware utility (refer to Firmware User Manual in the CD-ROM for details)
- SANWatch manager software (refer to SANWatch User Manual in the CD-ROM for details)

Replacing the Power Supply Unit (PSU)

A failed PSU should be replaced as soon as possible, but only when you have a replacement module in your hand. Contact your vendor for more details (refer to [Contact Information](#)).

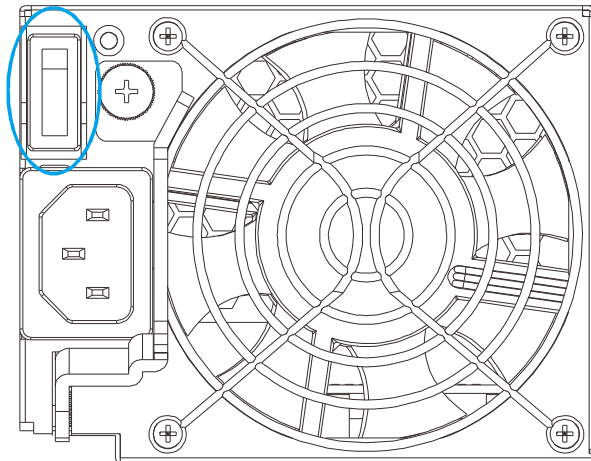


WARNING

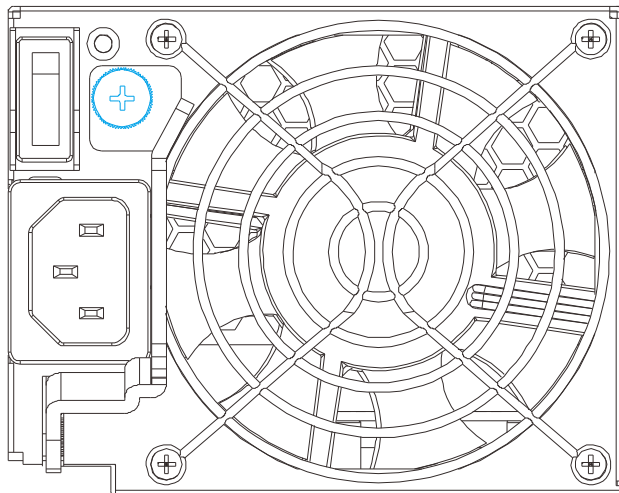
Although the system can operate with a failed PSU in a system, it is not recommended to run the system with a failed PSU for an extended period of time. The failed spare redundant PSU should be replaced as soon as possible!

To replace a PSU, follow these steps:

1. [Power off the system](#), turn off the PSU and unplug the power cord.

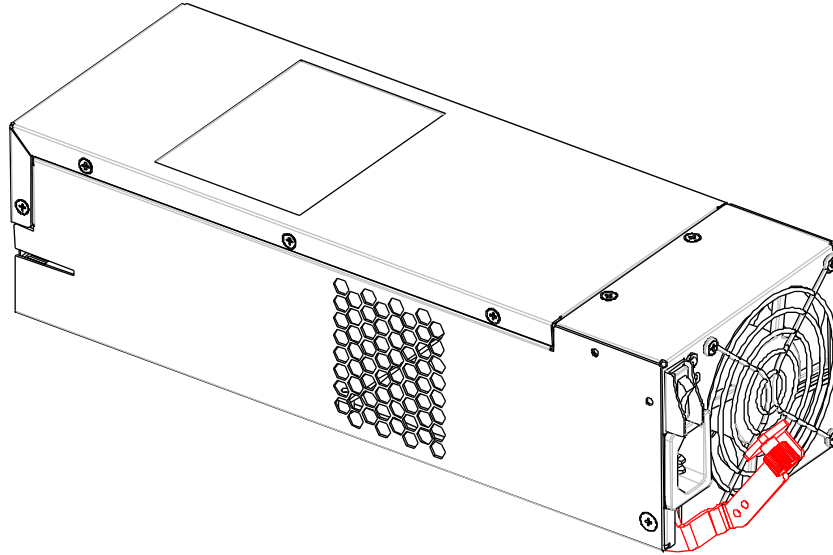


2. Loosen the retention screw that secures the extraction handle to the chassis.

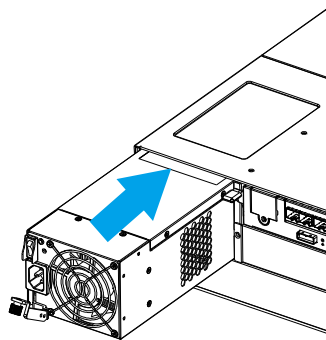




3. To remove the PSU module, pull the extraction handle downwards to disconnect the PSU from the backplane connectors. Once dislodged, gently pull the PSU out of the system. If the system is mounted in a rackmount rack, use another hand to support its weight while removing the module.



4. Insert the replacement module. Make sure the extraction handle is pointing outwards. Push the replacement PSU into the chassis, and when you feel the contact resistance, push the extraction handle towards the PSU module and it should engage the back-end connectors.



5. Fasten the thumb screw.
6. Reconnect the power cord.
7. Power on the PSU module.

Replacing a Hard Drive



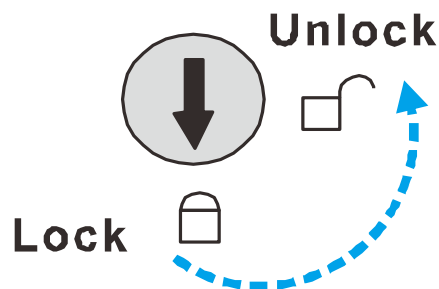
WARNING

Keep a replacement on hand before replacing the hard drive. Do not leave the drive tray open for an extended period of time or the internal airflow will be disrupted.

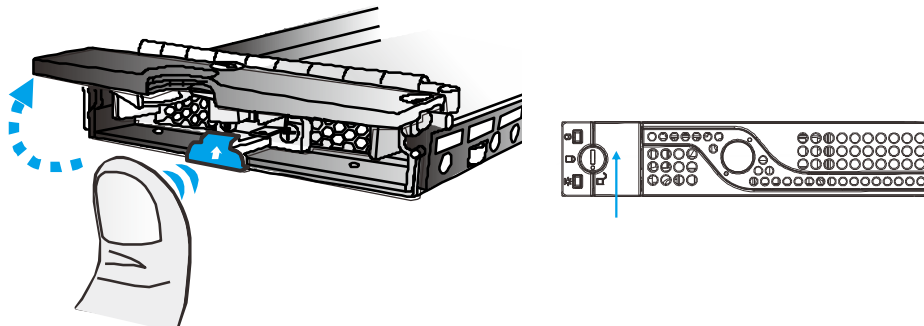
Handle the hard drives with extreme care. Carry them only by the edges and avoid touching their circuits part and interface connectors.

To replace a hard drive, follow these steps.

1. **Identify the drive tray.** Use the firmware utility, SANWatch, or the LED on the drive tray to identify faulty hard drive(s). The drive bays are numbered from left to right and from top to bottom.
2. **Unlock the drive tray bezel** (indicated by the **blue arrow**) by using a small flat-blade screwdriver to set the bezel lock from lock to the un-lock position.



3. **Open the drive tray.** Press the button. The spring handle will pop out.



4. **Remove the drive tray.** Pull the tray one inch away from the enclosure. Wait for at least 30 seconds for the disk drive to spin down, and then gently withdraw the drive tray from the chassis.



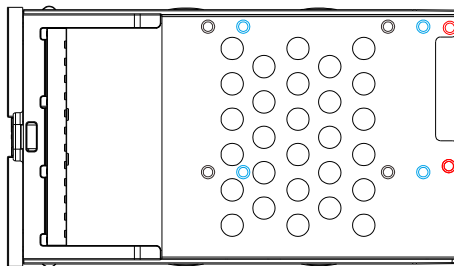
5. **Remove four retention screws** (two on each side). The screws secure the hard drive to the drive tray.



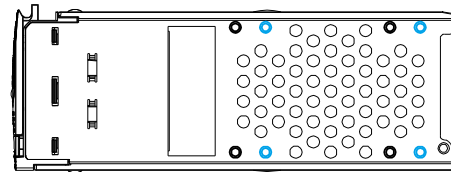
Without mux board



With mux board



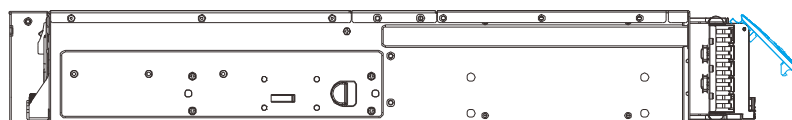
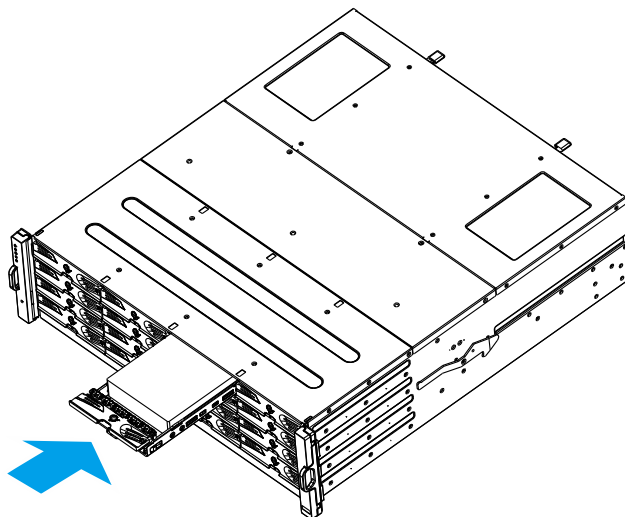
3.5 inch tray



2.5 inch tray

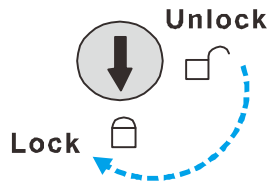
- 2.5 inch SAS HDD (without MUX)
- 2.5 inch SATA HDD (with MUX)
- 2.5 inch SAS hard drive
- 2.5 inch SATA hard drive
- MUX board screw locations

6. **Replace the drive.** After swapping the drive, fasten the retention screws back. Refer to screw locations in the previous step.
7. **Insert the drive tray back into the enclosure.** Install the drive tray with the front bezel open. When fully inserted, close the front bezel.





8. **Lock the drive tray.** Turn the bezel lock to the vertical orientation (locked position) using a flat blade screwdriver. Do not push the bezel lock while turning it, otherwise the spring handle will pop out again.



NOTE

Never leave the bezel lock unlocked – the controller might consider it as a faulty drive.

9. **Check for drive error.** Make sure that there is no more error reported.

Appendix

Technical Specifications

Host/Drive Interface

Fibre-host storage systems	
Host O/S Compatibility	Host O/S independent
Host Interface	8Gbps / 16Gbps Fibre + 4x iSCSI
Host Channels	2 or 4 Fibre host channels (per controller)
Drive Interface / channel	Supports 12/ 16/ 24 channels of 6/12Gbps SAS, SATA-III, Nearline series
Fibre/iSCSI hybrid-host storage systems	
Host O/S Compatibility	Host O/S independent
Host Interface	8Gbps / 16Gbps Fibre + 4x iSCSI
Host Channels	2 or 4 Fibre host channels (per controller) + 4x or 8x iSCSI channels
Drive Interface / channel	Supports 12/ 16/ 24 channels of 6/12Gbps SAS, SATA-III, Nearline series
SAS-host storage systems	
Host O/S Compatibility	Host O/S independent
Host Interface	3Gbps / 6Gbps / 12Gbps Multi-lane SAS host ports + 4x iSCSI
Host Channels	Multiple SAS PHYs logically combined into 2 host channels per controller
Drive Interface / channel	Supports 12/ 16/ 24 channels of 6/12Gbps SAS, SATA-III, Nearline series
iSCSI-host storage systems	
Host O/S Compatibility	Host O/S independent / iSCSI offload utilities and hardware
Host Interface	RJ-45 Gigabit Ethernet / 10Gb Fibre + 4x iSCSI
Drive Interface / channel	Supports 12/ 16/ 24 channels of 6/12Gbps SAS, SATA-III, Nearline series
Expansion enclosures	
SAS Interface	Eight SMP PHYs interfaced through two SAS 4x wide ports
Drive Interface / channel	Supports up to 12/ 16/ 24 channels of 6/12Gbps SAS, SATA-III, Nearline series

Power Supply

Input Voltage	Dual controller model: 100VAC @ 10A 240VAC @ 5A with PFC (auto-switching)
	Single controller model: 100VAC @ 10A 240VAC @ 5A with PFC (auto-switching)
Frequency	50 to 60Hz
Power rating	460W
DC Output	12.0V: 38A (Max.) 5.0VSB: 2A (Max.)
Input Frequency	50 to 60Hz
AC Input	100VAC @ 10A or 240VAC @ 5A with PFC
Power Factor Correction	Yes
Hold-up Time	At least 12ms at 115/230VAC full load after a loss of AC input
Over-temperature Protection	Auto shutdown when lost cooling or exceeded ambient temperature; over-voltage protection is also available.

*PSU specifications described above are general measurements and they do not represent all models. For details, please refer to [specific model specifications](#).



Dimensions

2U series

Dimensions	Without chassis ears & protrusions
Height	88mm
Width	446mm
Length	514mm

3U series

Dimensions	Without chassis ears & protrusions
Height	130mm
Width	445mm
Length	514.04mm

4U series

Dimensions	Without chassis ears & protrusions
Height	174.40mm
Width	445.00mm
Length	496.00mm

Dimension specifications described above are general measurements and are for references. For details, please refer to [specific model specifications](#).

Environment

Humidity	5 to 95% (non condensing – operating and non-operating)
Temperature	<p>Operating:</p> <ul style="list-style-type: none"> a. With Battery Backup Module 0° to 35°C b. Without Battery Backup Module 0° to 40°C <p>Non-operating: -40° to 60°C</p>
Altitude	<p>Operating: Sea level to 12,000ft</p> <p>Packaged: Sea level to 40,000ft</p>
Shock (Half-sine)	<p>Operating: 5G, half-sine, 11ms pulse width</p> <p>Non-operating: 15G, half-sine, 11ms pulse width</p>
Vibration	<p>(Random)</p> <p>Operating: 5 to 500Hz, 0.25Grms, X/Y/Z, 30min</p> <p>Non-operating: 5 to 500Hz, 1.0Grms, X/Y/Z, 30min</p> <p>(Sine)</p> <p>Operating: 5 to 500Hz, 0.2Grms, X/Y/Z Sine, 1hr/sweep</p> <p>Non-operating: 5 to 500Hz, 1.0Grms, X/Y/Z Sine, 1hr/sweep</p>
Acoustic Noise	65dBA boundary, 60dBA normal



Certifications

Summary

Safety	UL (60950-1 2'nd) BSMI CNS 14336: 2005 CB IEC 60950-1, 2'nd Edition GOST-R GOST R 60950-1-2005
EMC	CE EN 55022: 2006/A1:2007 / EN 61000-3-2: 2006 / EN 61000-3-3: 1995/A1: 2001 /A2: 2005 / EN 55024: 1998/A1: 2001/A2: 2003 IEC 61000-4-2:1995/A2:2000 IEC 61000-4-3:1995/A2:2006 IEC 61000-4-4:2004 IEC 61000-4-5:2005 IEC 61000-4-6:2003/A1:2004/A2:2006 IEC 61000-4-8:1993/A1:2000, IEC 61000-4-11: 2004 IEC 61000-3-2, IEC61000-3-3 BSMI (CNS 13438) FCC (FCC Part 15,subpart B)
Environment	IEC 60068-2 MIL-STD-810E/883E ISTA ASTM-D3332 IPC-TM-650
Others	ISO7779/3744 RoHS Microsoft WHQL-Windows Server 2003

警告使用者：

這是甲類資訊產品，在居住的環境中使用時，可能會造成射頻干擾，在這種情況下，使用者會被要求採取某些適當對策



사 용 자 안 내 문

이 기기는 업무용 환경에서 사용할 목적으로 적합성평가를 받은 기기로서 가정용 환경에서 사용하는 경우 전파간섭의 우려가 있습니다.

Slide Rail Kit Installation Guide

The table is categorized into model numbers in alphabetical / numeric order so users can fast locate the corresponding slide rail kit for their respective enclosure.

Slide Rail Kits

If you are unable to locate clear instructions on installing your enclosure, please contact Technical Support.

Enclosure Installation Prerequisites

To ensure proper installation and functionality of the storage system, please observe the following warnings:

- Cross check all components have been received against the “Unpacking List”. Contact your vendor immediately if anything is missing
- Install the enclosure as-is out of the packaging; install hard drives and optional modules (FBM / Super Capacitor battery) after the enclosure has been mounted
- Wear an anti-static wristband before and during the installation procedure
- It is recommended to plug the system into two different power sources (eg. into a power outlet and another into a UPS)
- Ensure the rack which the enclosure will be mounted onto has proper grounding and over-current protection
- Do not obstruct ventilation openings; provide 20cm of free space at the front and back of the enclosure for air circulation; keep the ambient temperature below 35 degrees Celsius

Unpacking the System

Use the “Unpacking List” to cross check all components have been received. The basic contents include one GUI CD pack, Quick Installation Guide and Enclosure Installation Guide. For details on each slide rail kit contents, please refer to specific kit installation details in this manual.

Component Installation Procedure

Please install components in the following order:

1. Rackmount rails onto the enclosure / rack / cabinet
2. Enclosure onto the slide rail and into the cabinet
3. Hard drives into drive trays and then into the enclosure.
4. Drive trays (with or without hard drives) into the enclosure
5. If Super Capacitor battery / FBM were purchased as an optional component, the controller must be removed from the enclosure for installation.



NOTE

For detail procedures from step 3 and onwards, please refer to the earlier sections in this hardware manual.

Tools Required

For each of the slide rail installation procedures, you will need the following tools:

- One medium sized Phillips screwdriver
- One small sized Phillips screwdriver
- One medium size flat blade screwdriver

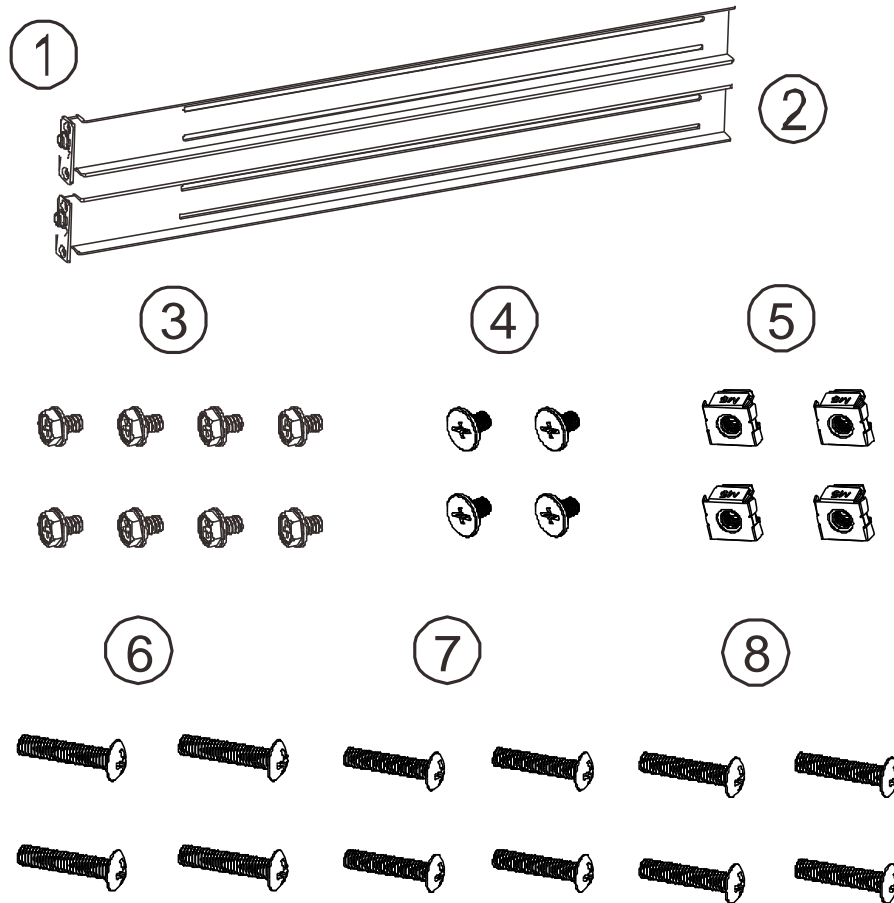
Rackmount Slide Rail Kits

Rack Ear Mount Kit

The following table shows all accessories that came with the rack ear mount kit.

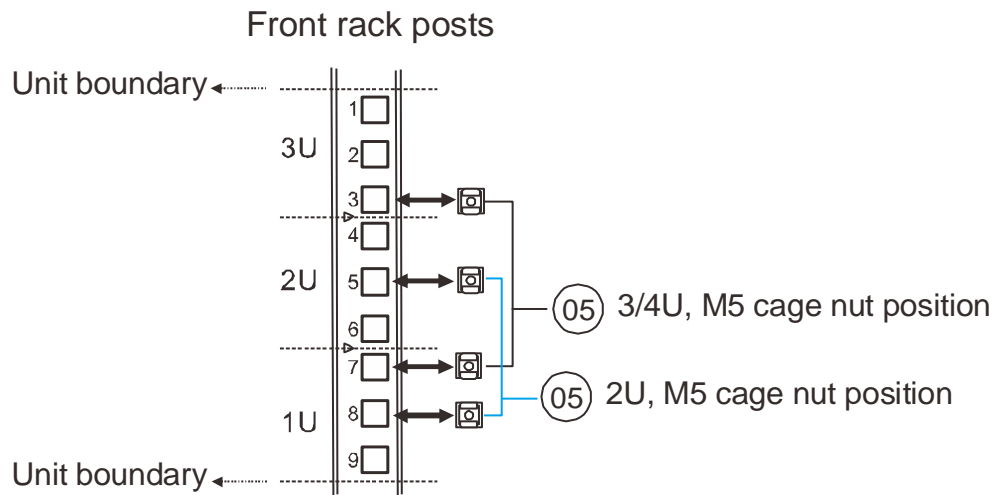
Kit Contents

Item	Description	Quantity
01	Mounting bracket assembly, left-side	1
02	Mounting bracket assembly, right-side	1
03	Hexagon washer screws #6-32mm	8
04	Truss head screws M5 x 9.0mm	4
05	M5 cage nuts	4
06	M5 x 25mm	4
07	M6 x 25mm	4
08	#10-32 x 25.4mm	4

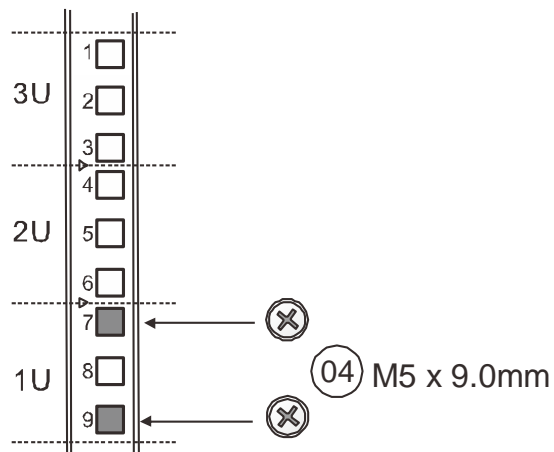


Installation Procedure

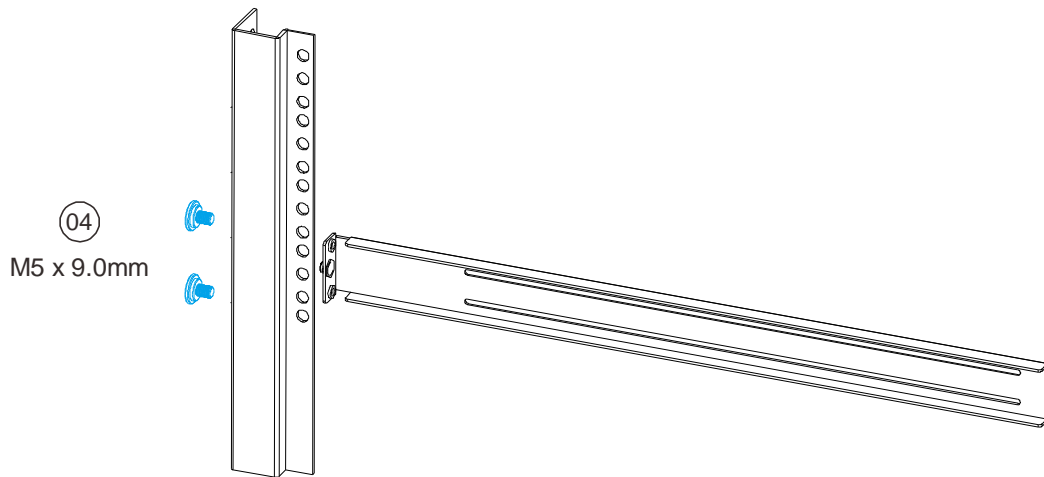
1. The installation begins with determining the installation position and M5 cage nut (5) insertion location.



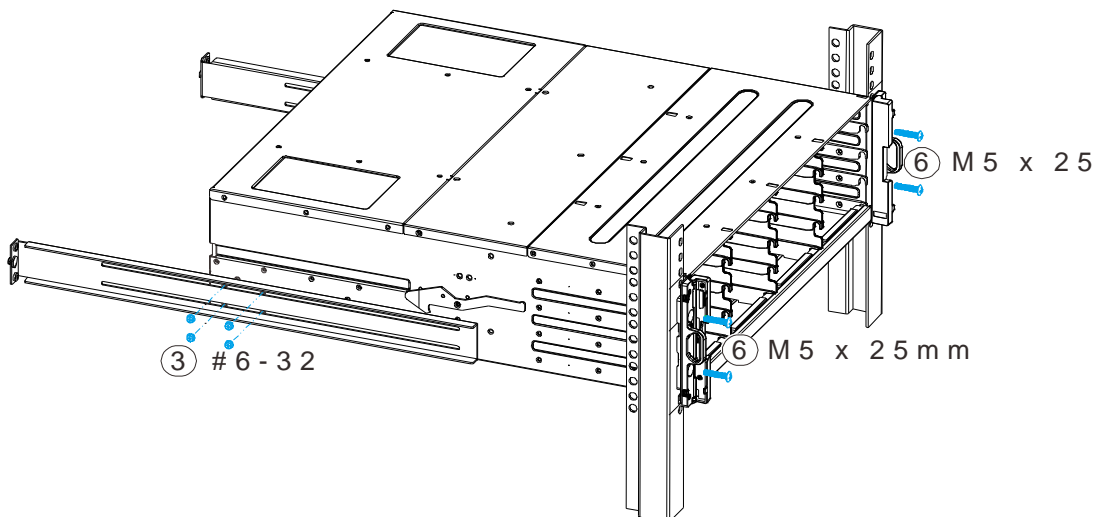
Rear rack posts



-
2. Install the fixed rack ear mount to the rear posts and secure them using truss head screws (4)



3. With the assistance of another person holding the enclosure at the installation height, the other person can place four M5 x 25mm (6) at the front of the enclosure and eight #6-32 screws (3), four on each side, to secure the enclosure into the rack.



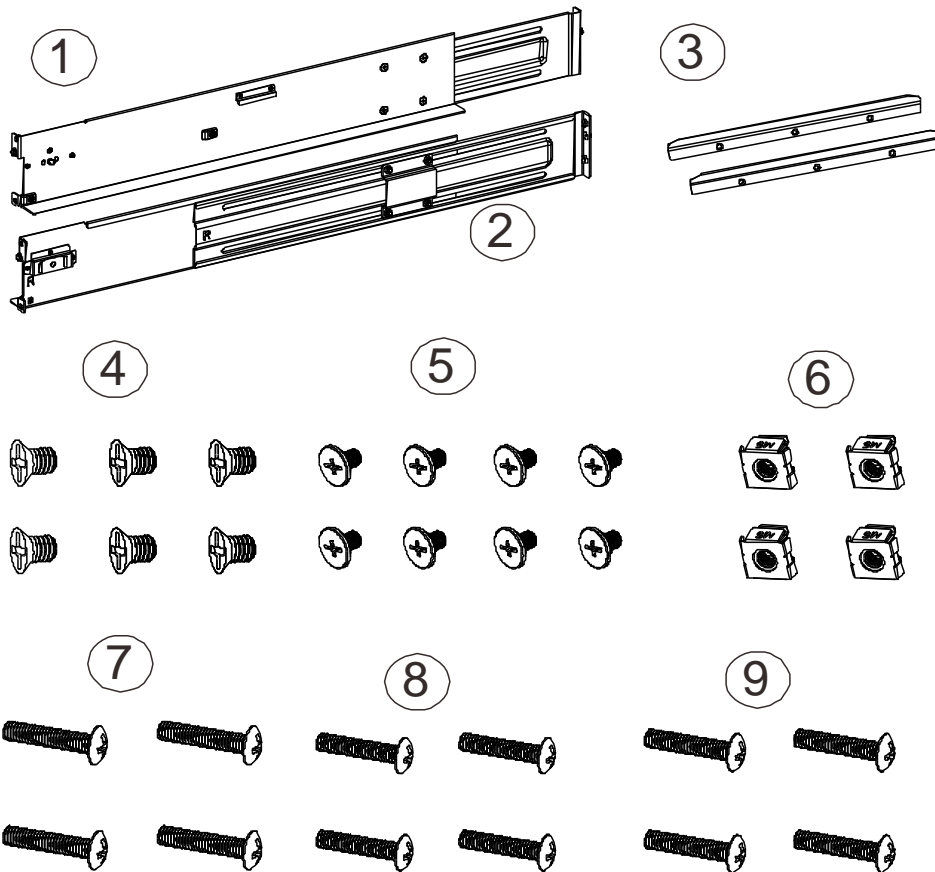
Front rack post

Slide Rail Kit

The following table shows all accessories that came with the slide rail kit.

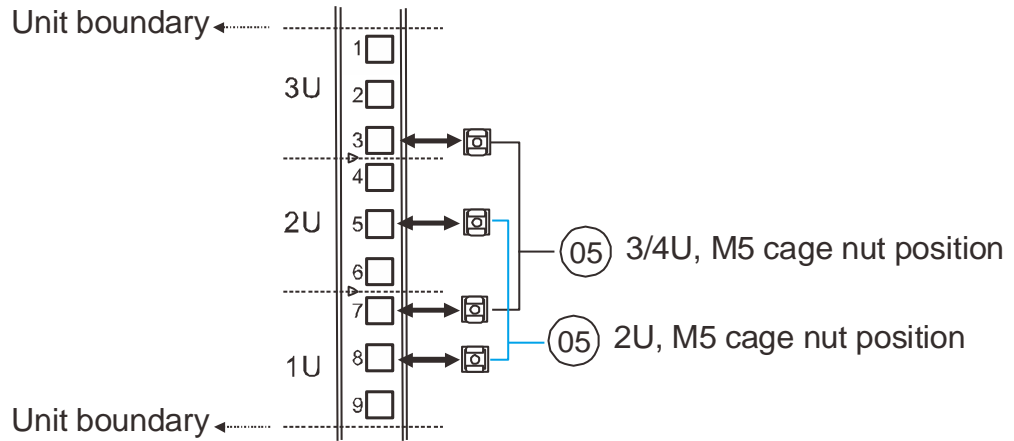
Kit Contents

Item	Description	Quantity
01	Mounting bracket assembly, left-side	1
02	Mounting bracket assembly, right-side	1
03	Inner glides	2
04	Flathead screws #6-32 L4	6
05	Truss head screws M5 x9.0mm	8
06	M5 cage nuts	4
07	M5 x 25mm	4
08	M6 x 25mm	4
09	#10-32 x 25.4mm	4

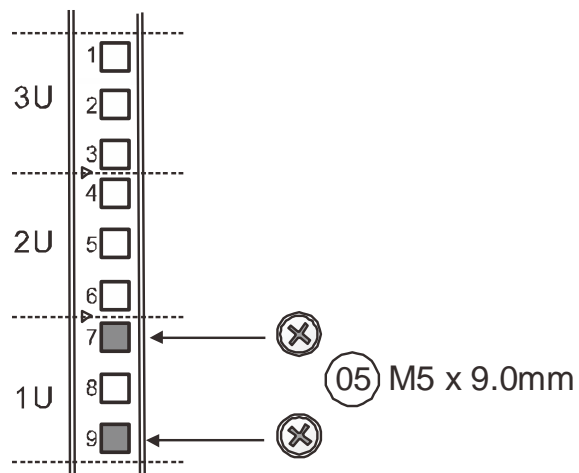


1. The installation begins with determining the installation position (front and rear rack positions) and M5 cage nut (5) insertion location.

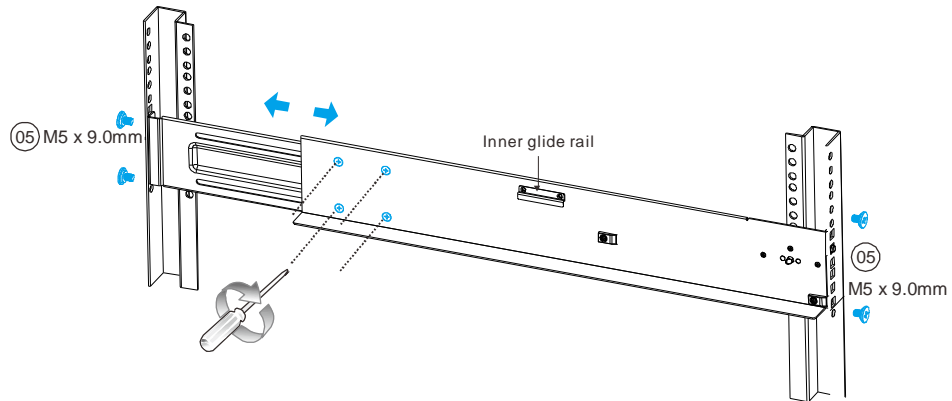
Front rack posts



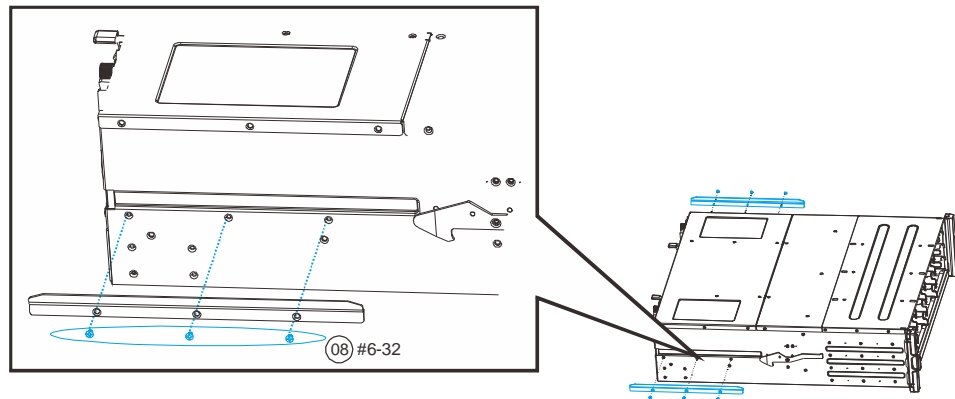
Rear rack posts



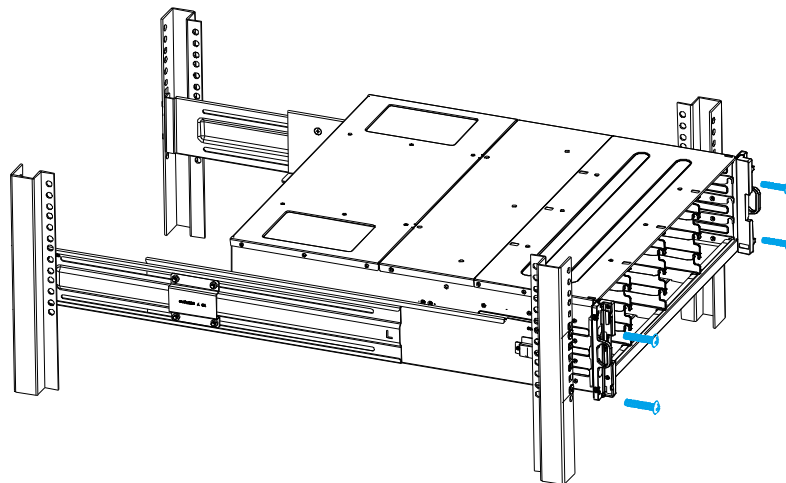
- Adjust the length by loosening the four screws on the slide rail. Secure the slide rails to front and rear posts using truss head screws. Tighten the four screws on the slide to fix the length.



- Attach the inner glides to BOTH sides of the enclosure using flathead screws #6-32 (8)



- With the assistance of another person, lift and insert the enclosure onto the slide rail. Make sure the inner glides on both sides of the enclosure meet the inner glide rail. Secure the enclosure with M5 or M6 screws from the front.



Once Mounted

Once the enclosure has been mounted, you may refer to the User Manual that came with your system for further instructions on completing the hardware installation process. The User Manual will go on to explain details on installation / maintenance of hard drives, controllers, optional modules (Super Capacitor battery, CBM, etc.), cooling modules, power supplies, cable connections, topology configurations, etc.

Safety Reminders

If you must relocate the enclosure after installation

- Cease all input / output transactions, shutdown the system, disconnect all the cables (please refer to the User Manual for details)
- Empty all drive bays (hard drives + hard drive trays) and transport them separately in safe packaging
- Modules came installed within the enclosure need not be removed

When the system is in operation

- Module and drive bays must not be empty! They must have a dummy cover / plate in place to stabilized internal airflow!
- Should a module fail, leave it in its place until you have the replacement item on-hand to take its place
- Allow at least 18~20cm of clearance space at the rear of the enclosure for ventilation
- Avoid touching the PCB and gold-finger connections.