



RAZER NARI ULTIMATE

MASTER GUIDE

The **Razer Nari Ultimate** is the wireless gaming headset equipped with HyperSense technology for an additional layer of immersion. The swiveling earcups are equipped with cooling gel-infused cushions with memory foam that reduce heat buildup for comfortable gaming. THX Spatial Audio delivers next-generation virtual surround sound, while Game/Chat Balance in wireless mode provides the perfect mix of game and chat volume. The headset also functions in wired mode with both USB and 3.5 mm analog options. Powered by Razer Chroma™.

CONTENTS

1. PACKAGE CONTENTS / SYSTEM REQUIREMENTS.....	3
2. REGISTRATION / TECHNICAL SUPPORT.....	4
3. TECHNICAL SPECIFICATIONS.....	5
4. DEVICE LAYOUT.....	6
5. SETTING UP YOUR RAZER NARI ULTIMATE.....	7
6. USING YOUR RAZER NARI ULTIMATE.....	12
7. INSTALLING RAZER SYNAPSE 3 FOR YOUR RAZER NARI ULTIMATE.....	15
8. CONFIGURING YOUR RAZER NARI ULTIMATE VIA RAZER SYNAPSE 3.....	16
9. SAFETY AND MAINTENANCE.....	17
10. LEGALESE.....	18

1. PACKAGE CONTENTS / SYSTEM REQUIREMENTS

PACKAGE CONTENTS

- Razer Nari Ultimate gaming headset
- USB wireless transceiver
- Charging cable
- 3.5mm combo cable
- Important Product Information Guide

SYSTEM REQUIREMENTS

HARDWARE REQUIREMENTS

- Devices with a USB port
- Mobile devices with a 3.5mm combo port

RAZER SYNAPSE 3 REQUIREMENTS

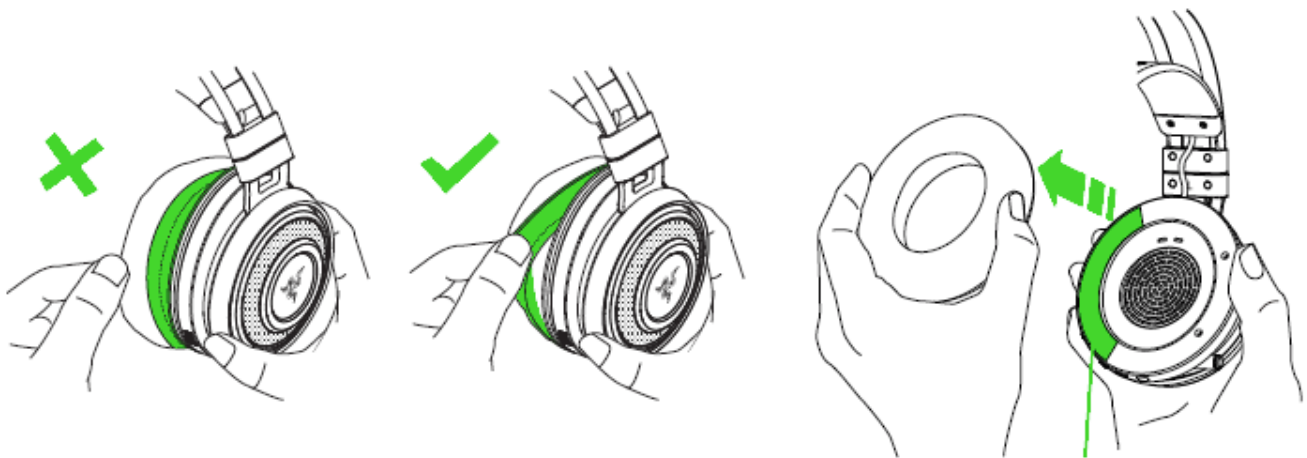
- Windows® 7 64-bit (or higher)
- Internet connection
- 500 MB of free hard disk space

2. REGISTRATION / TECHNICAL SUPPORT

REGISTRATION

Register your product online at razerid.razer.com/warranty to get real-time information on your product's warranty status.

If you haven't registered for a Razer ID yet, register now at razerid.razer.com to get a wide range of Razer benefits.



Your product's serial number can be found underneath the leatherette cushion, as shown here.

TECHNICAL SUPPORT

What you'll get:

- 1 year limited manufacturer's warranty.
- Free online technical support at support.razer.com.

3. TECHNICAL SPECIFICATIONS

HEADPHONES

- Frequency response: 20 Hz – 20 kHz
- Impedance: 32Ω at 1 kHz
- Sensitivity (@1 kHz): 107 ± 3 dB
- Input power: 30 mW (Max)
- Drivers: 50 mm, with Neodymium magnets
- Inner ear cup diameter: Width 56mm / Length 67mm
- Oval ear cushions: Designed for full-ear coverage with cooling gel, perfect for long-wearing comfort
- Connection type: Wireless USB Transceiver / 3.5mm analog
- Wireless range: 12 m / 40 ft
- Wireless frequency: 2.4 GHz
- Analog connection: 4 – pole
- Battery life: 8 hours with Razer Chroma lighting and HyperSense / 24 hours without Razer Chroma lighting and HyperSense

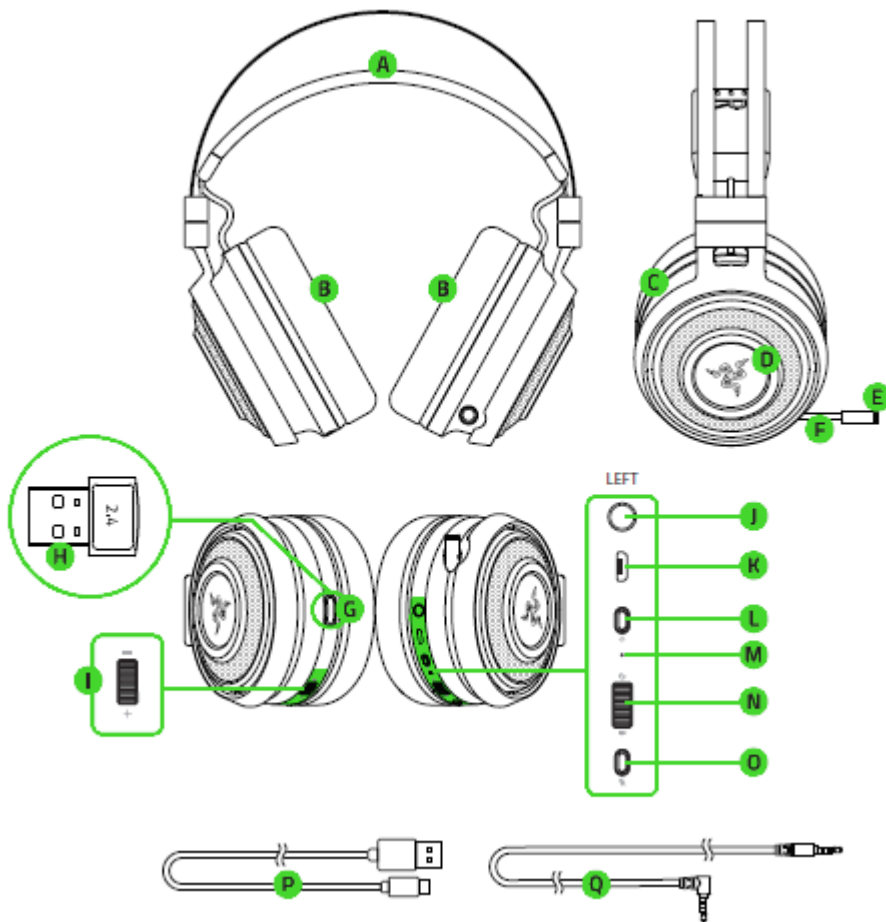
MICROPHONE

- Frequency response: 100 – 6.5 kHz
- Signal-to-noise ratio: > 50 dB
- Sensitivity (@1 kHz): -42 ± 3 dB
- Pick-up pattern: Unidirectional

LOFELT L5 HAPTIC

- 1 in each earcup
- Frequency Response: 20 – 200 Hz
- Maximum Generated Force: 4.3 G
- Intelligent Digital Signal Processing

4. DEVICE LAYOUT

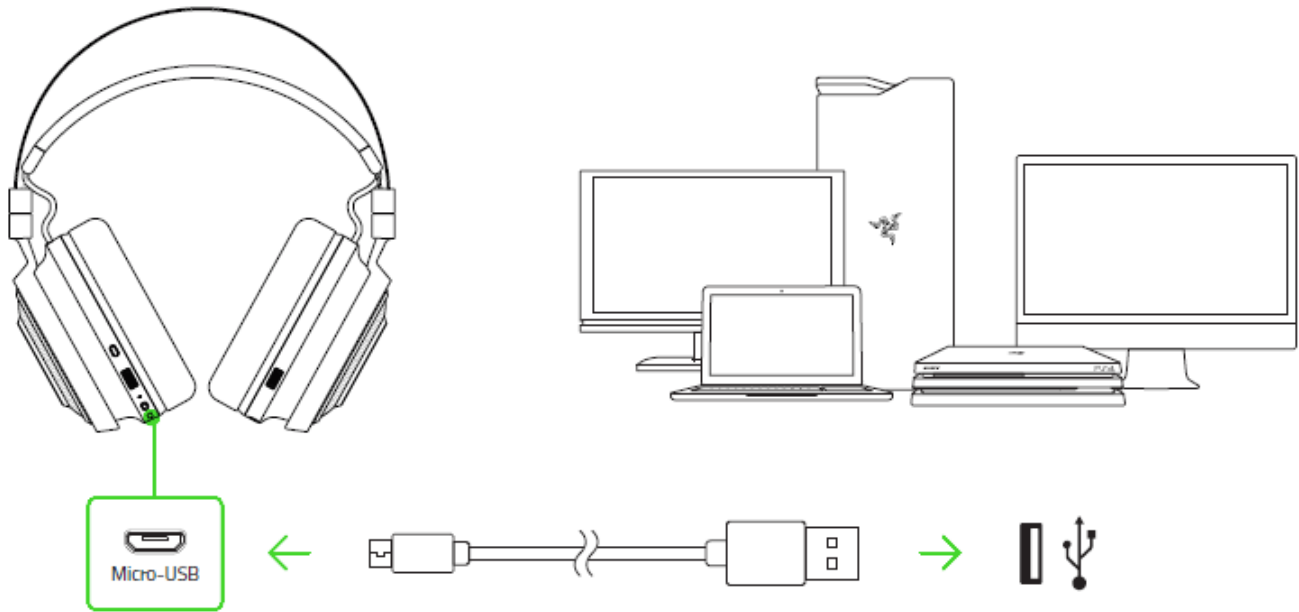


- A. Auto-adjusting headband
- B. Cooling gel-infused ear cushions
- C. 50mm drivers with HyperSense Technology
- D. Razer Chroma backlighting
- E. Mic mute indicator
- F. Retractable mic
- G. Transceiver storage
- H. USB wireless transceiver
- I. Volume control
- J. 3.5mm combo port
- K. Charging port
- L. Power button
- M. Status indicator
- N. Game/Chat balance
- O. Mic mute button
- P. Charging cable
- Q. 3.5mm combo cable

5. SETTING UP YOUR RAZER NARI ULTIMATE

CHARGING YOUR HEADSET

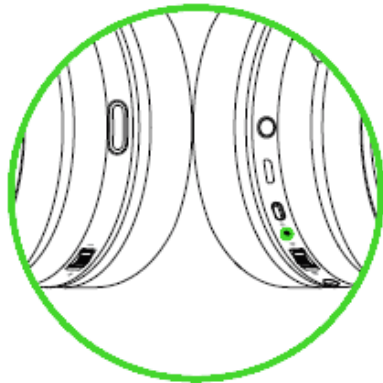
Connect your Razer Nari Ultimate to a powered USB port using the charging cable.









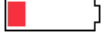


For best results, please fully charge your headset before using it for the first time. A depleted unit will fully charge in about **4 hours**.

UNDERSTANDING THE CHARGING NOTIFICATIONS

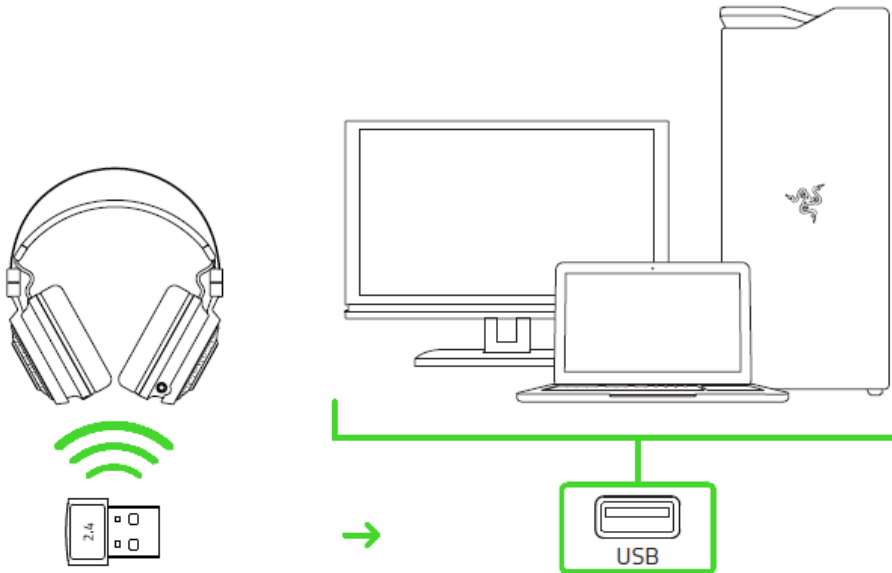
Your Razer Nari Ultimate will send out notifications depending on its current charging status, as shown here:



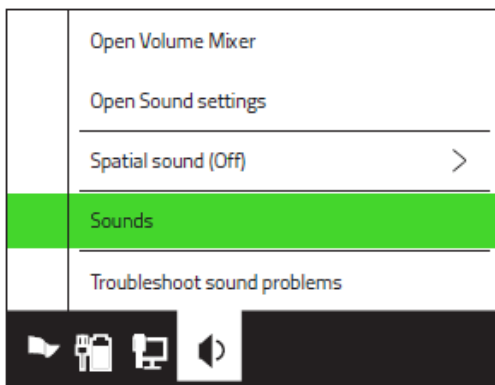
STATUS INDICATOR	SOUND INDICATOR	DESCRIPTION
Static red 	None 	Charging/low battery 
Static green 	None 	Fully charged/full battery 
Blinking red 	Warning tone 	Battery is critically low 

CONNECTING TO YOUR PC VIA USB PORT

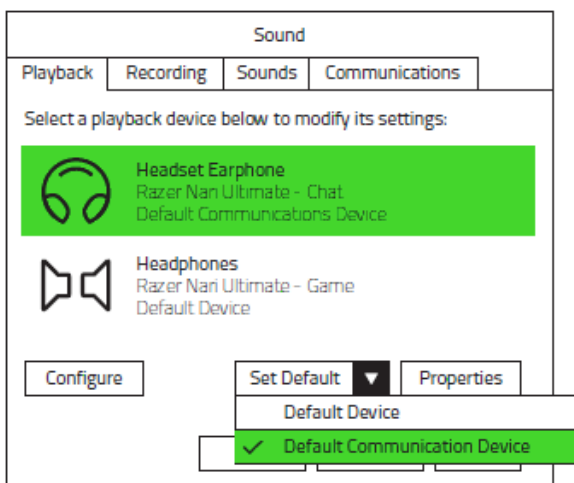
1. Plug the USB wireless transceiver to your PC.



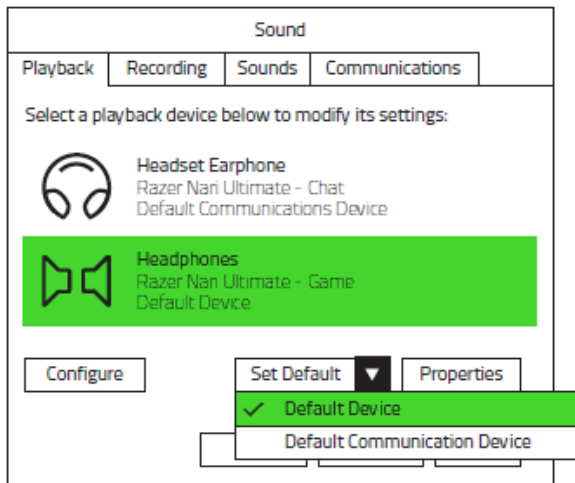
2. Right-click on the sound icon on the system tray, and then select **Sounds**.



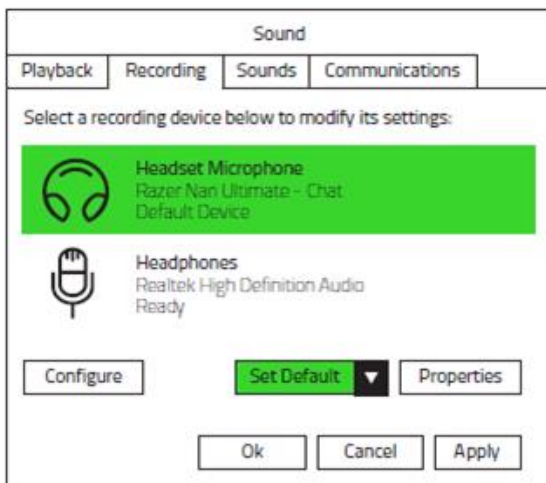
3. On the Playback tab, select **Razer Nari Ultimate - Chat** from the list, and then set it as the **Default Communication Device**.



4. On the Playback tab, select **Razer Nari Ultimate - Game** from the list, and then set it as the **Default Device**.

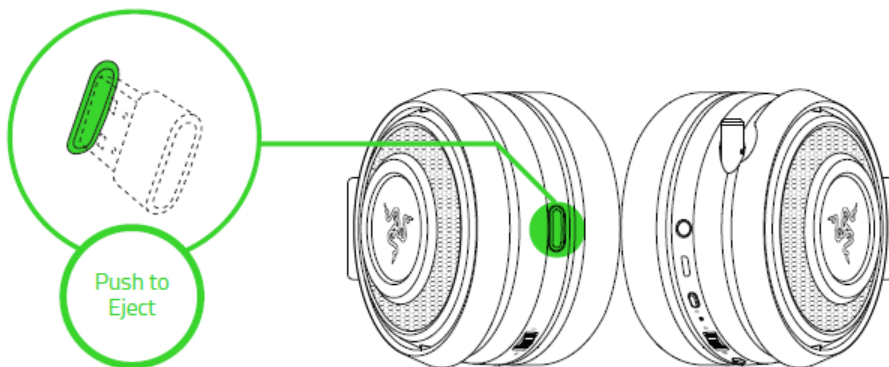


5. In the Recording tab, select **Razer Nari Ultimate - Chat** from the list and click the '**Set Default**' button.



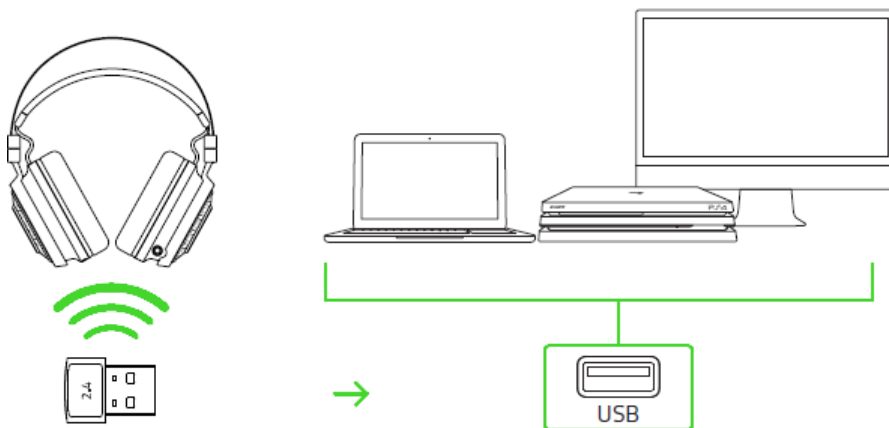
CONNECTING TO OTHER DEVICES VIA USB PORT

1. Push in the USB wireless transceiver until you hear a click then release your finger so that it ejects from your headset.

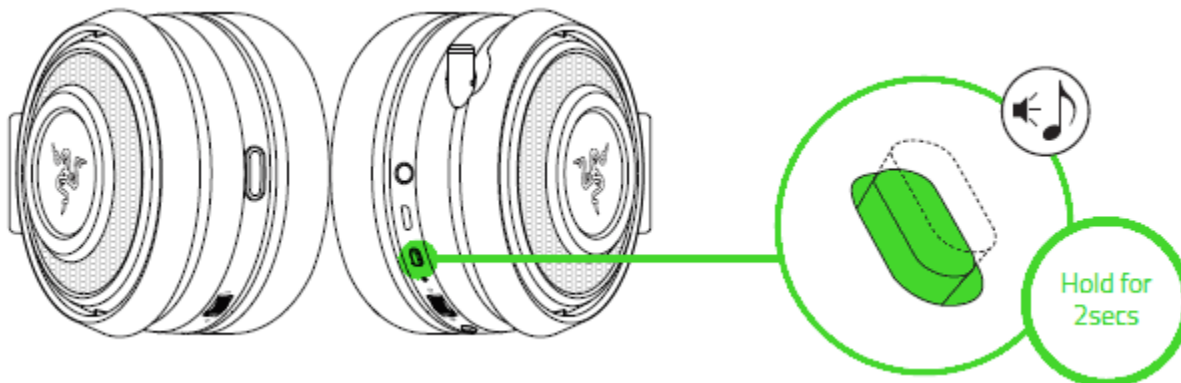


Note: To return the USB wireless transceiver, push it into the compartment until you hear a click.




2. Plug the USB wireless transceiver to your device and make sure your Razer Nari Ultimate is the default input and output audio device.



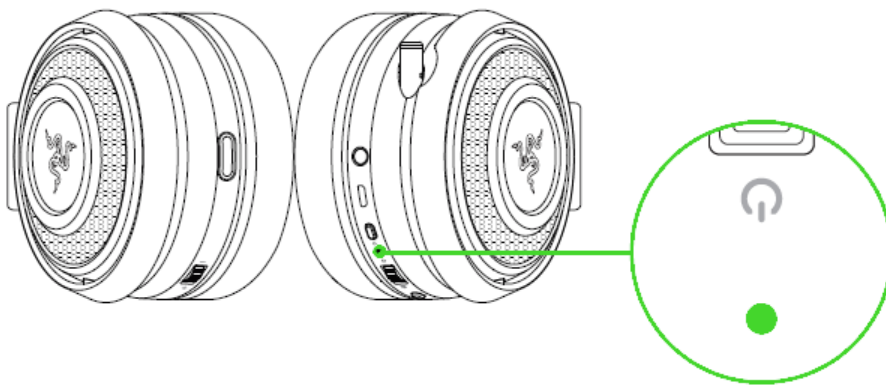
3. Power on your headset by holding the power button for at least 3 seconds or until you hear 2 short beeps.



4. Wait until the status indicator is static blue.

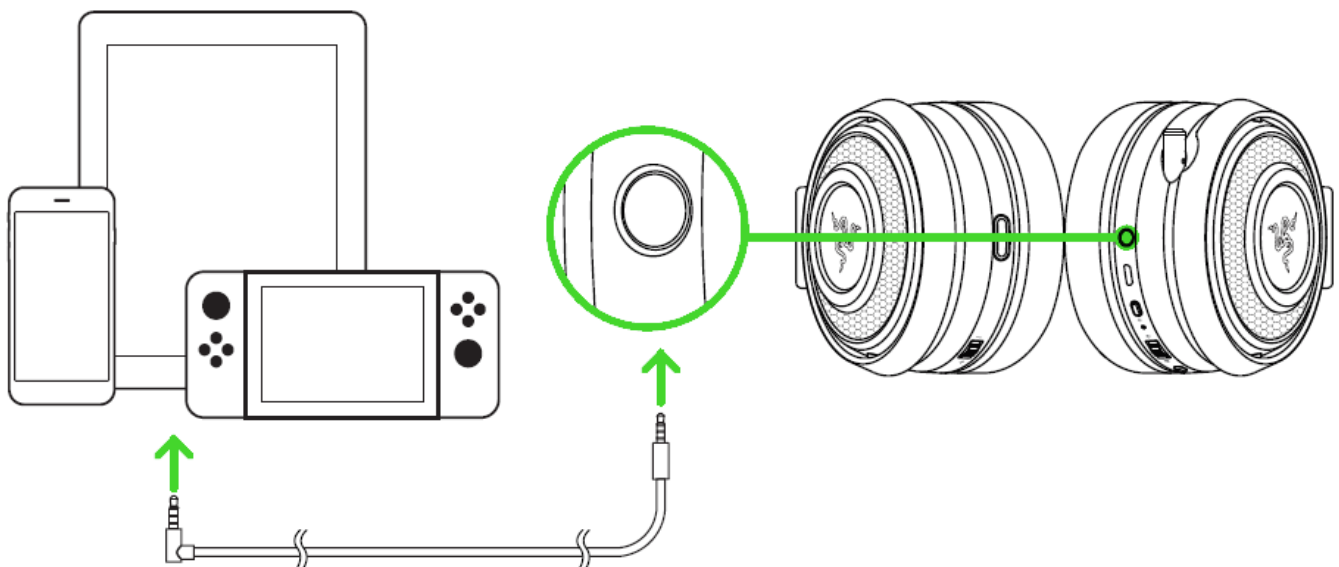
NOTIFICATION		STATUS
Blinking		Pairing
Rapid blinking		Connecting
Static		Connected

Note: Keep your headset within close proximity of the USB wireless transceiver for a faster and more stable connection. If your headset fails to connect, it will automatically power off after a few minutes.



CONNECTING TO DEVICES VIA 3.5MM COMBO PORT

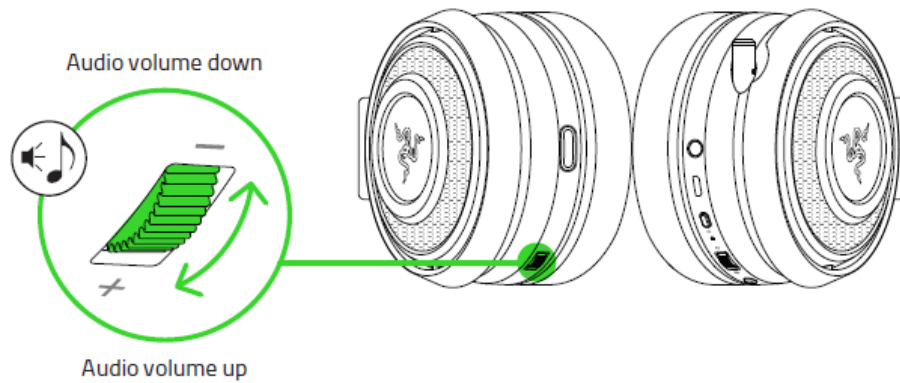
If your device has a 3.5mm audio + mic combined jack, simply plug the 3.5mm audio cable from your headset to your device's audio jack.



6. USING YOUR RAZER NARI ULTIMATE

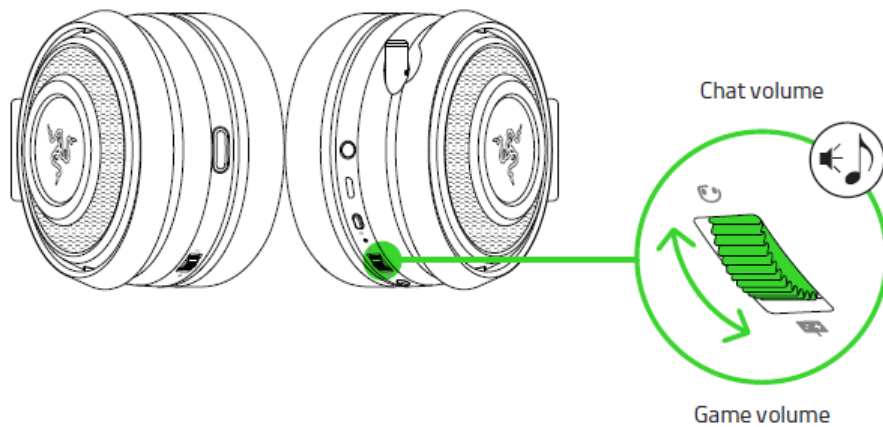
USING THE VOLUME CONTROL

Rotate the volume control to increase or decrease the volume.



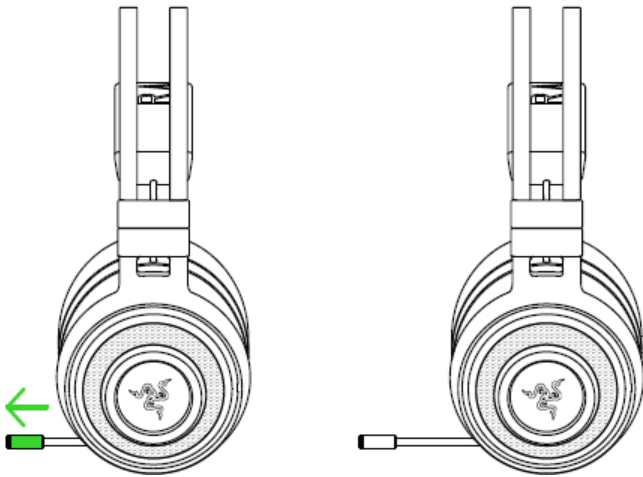
USING THE GAME/CHAT BALANCE

Rotate the game/chat balance to increase the in-game volume and decrease the voice chat volume or vice versa. By default, the notch on the wheel is set to the middle to indicate 50% chat and 50% game volume.

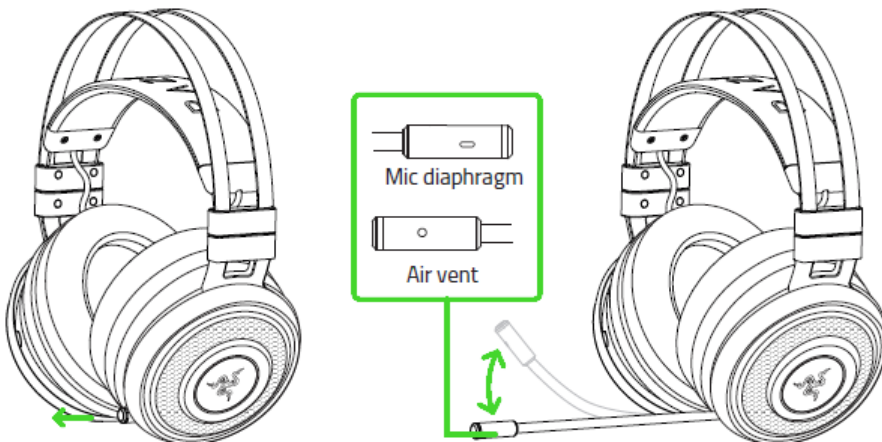


USING THE RETRACTABLE MIC

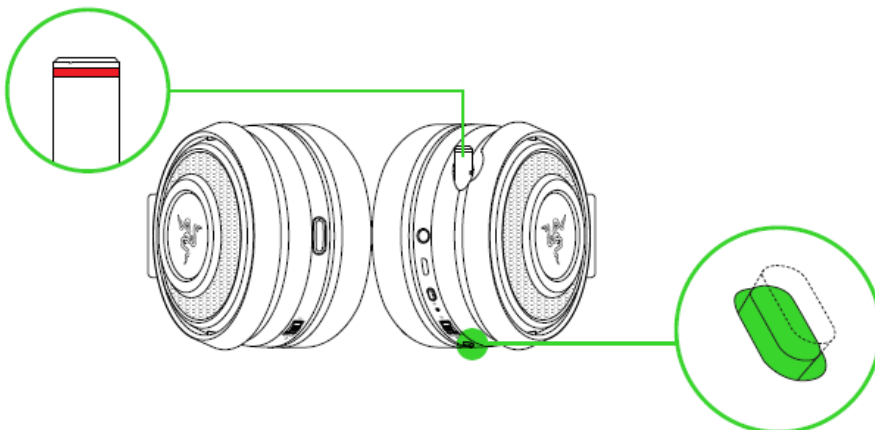
Pull the tip of the mic until it is fully extended.



Bend the mic until it is parallel to your mouth, then adjust the length as preferred. Make sure the mic diaphragm is in front and the air vent is facing away from your mouth.

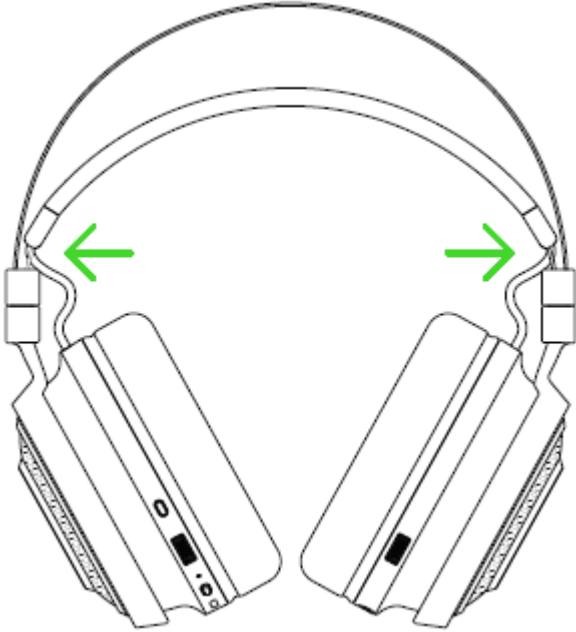


Press the mic mute button to mute or unmute the mic. The mic mute indicator will light up when muted.

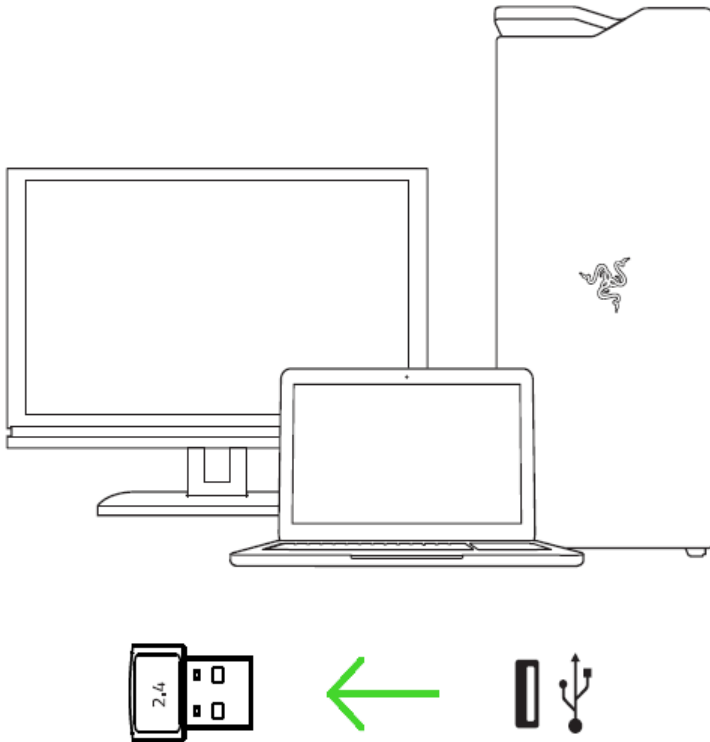


EXTENDING YOUR HEADSET'S LIFESPAN

We recommend stretching the headset gently apart before placing them over your head to minimize headband stress. However, please avoid overstretching the headset beyond its technical limits.



7. INSTALLING RAZER SYNAPSE 3 FOR YOUR RAZER NARI ULTIMATE



Step 1: Make sure your Razer device is connected to the USB port of your computer.

Step 2: Install Razer Synapse 3 when prompted* or download the installer from razer.com/synapse.

Step 3: Create your Razer ID or log in using an existing account.

**Applicable for Windows 8 or later.*

8. CONFIGURING YOUR RAZER NARI ULTIMATE VIA RAZER SYNAPSE 3

Unleash the full potential of your Razer Nari Ultimate by enabling these features from Razer Synapse 3:



POWERED BY
HYPERSENSE
INTELLIGENT HAPTICS

HyperSense Technology – Feel the action and experience an additional layer of immersion.



THX Spatial Audio - 360° positional audio for a natural and lifelike experience.

LIGHTING EFFECTS

The Lighting tab enables you to customize the look of your Razer device by allowing you to choose from various lighting effects or fully customizing your own. These lighting effects can also be synchronized with other Powered by Razer Chroma devices that support the selected effect.

	Name	Description	How to set up
A circular icon containing a sine wave, representing a breathing or pulsing effect.	Breathing	The lighting fades in and out of the selected color(s)	Select up to 2 colors or randomize
A circular icon containing a globe with latitude and longitude lines, representing a spectrum cycling effect.	Spectrum cycling	The LEDs will cycle between 16.8 million colors indefinitely	No further customization required
A circular icon containing a diamond shape with horizontal lines, representing a static lighting effect.	Static	The LEDs will remain lit in the selected color	Select a color

9. SAFETY AND MAINTENANCE

SAFETY GUIDELINES

In order to achieve maximum safety while using your Razer Nari Ultimate, we suggest that you adopt the following guidelines:

Should you have trouble operating the device properly and troubleshooting does not work, unplug the device and contact the Razer hotline or go to support.razer.com for assistance.

Do not take apart the device (doing so will void your warranty) and do not attempt to operate it under abnormal current loads.

Keep the device away from liquid, humidity or moisture. Operate the device only within the specific temperature range of 0°C (32°F) to 40°C (104°F). Should the temperature exceed this range, unplug and/or switch off the device in order to let the temperature stabilize to an optimal level.

The device isolates external ambient sounds even at low volumes, resulting in lowered awareness of your external surroundings. Please remove the device when engaging in any activities that requires active awareness of your surroundings.

Listening to excessively loud volumes over extended periods of time can damage your hearing. Furthermore, legislation of certain countries permits a maximum sound level of 86dB to affect your hearing for 8 hours a day. We therefore recommend that you reduce the volume to a comfortable level when listening for prolonged periods of time. Please, take good care of your hearing.

MAINTENANCE AND USE

The Razer Nari Ultimate requires minimum maintenance to keep it in optimum condition. Once a month we recommend you unplug the device from the computer and clean it using a soft cloth or cotton swab with a bit of warm water to prevent dirt buildup. Do not use soap or harsh cleaning agents.

10. LEGALESE

COPYRIGHT AND INTELLECTUAL PROPERTY INFORMATION

©2019 Razer Inc. All rights reserved. Razer, the triple-headed snake logo, Razer logo, “For Gamers. By Gamers.”, and “Powered by Razer Chroma” logo are trademarks or registered trademarks of Razer Inc. and/or affiliated companies in the United States or other countries. All other trademarks and trade names are the property of their respective owners and other company and product names mentioned herein may be trademarks of their respective companies.

Windows and the Windows logo are trademarks or registered trademarks of the Microsoft group of companies.

Mac OS, Mac and the Mac logo are trademarks or registered trademarks of Apple.

THX and the THX logo are trademarks of THX Ltd., registered in the U.S. and other countries.

Razer Inc. (“Razer”) may have copyright, trademarks, trade secrets, patents, patent applications, or other intellectual property rights (whether registered or unregistered) concerning the product in this guide. Furnishing of this guide does not give you a license to any such copyright, trademark, patent or other intellectual property right. The Razer Nari Ultimate (the “Product”) may differ from pictures whether on packaging or otherwise. Razer assumes no responsibility for such differences or for any errors that may appear. Information contained herein is subject to change without notice.

LIMITED PRODUCT WARRANTY

For the latest and current terms of the Limited Product Warranty, please visit: [razer.com/warranty](https://www.razer.com/warranty).

LIMITATION OF LIABILITY

Razer shall in no event be liable for any lost profits, loss of information or data, special, incidental, indirect, punitive or consequential or incidental damages, arising in any way out of distribution of, sale of, resale of, use of, or inability to use the Product. In no event shall Razer’s liability exceed the retail purchase price of the Product.

GENERAL

These terms shall be governed by and construed under the laws of the jurisdiction in which the Product was purchased. If any term herein is held to be invalid or unenforceable, then such term (in so far as it is invalid or unenforceable) shall be given no effect and deemed to be excluded without invalidating any of the remaining terms. Razer reserves the right to amend any term at any time without notice.