

# QUICK START

## FUYL Products

### VIDEO INSTRUCTIONS:

<https://vimeo.com/288109115>

Visit our website for detailed instructions.

[www.lockncharge.com/support](http://www.lockncharge.com/support) (International)

[www.pclocs.com.au/support](http://www.pclocs.com.au/support) (AUS and NZ)

### What's required?



x2\*



x4\*



x1\*



x1



x1



x3\*



x1



Network permissions



\* FUYL Tower 15 versions

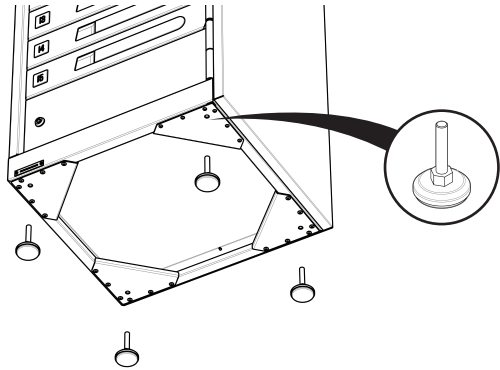


1

## FUYL TOWER 15: INSTALL TOWER FEET

### CAUTION

Heavy product. Requires two or more people to setup.

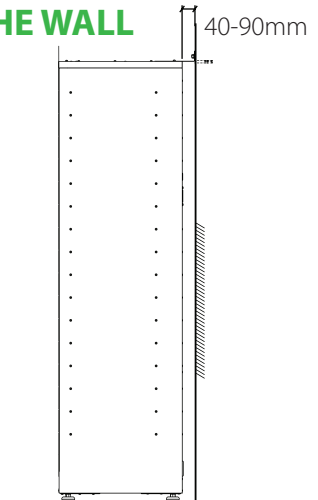
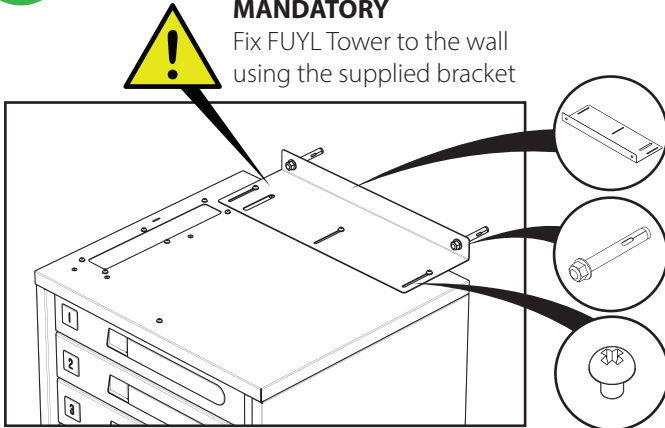


2

## FUYL TOWER 15: AFFIX TOWER TO THE WALL

### MANDATORY

Fix FUYL Tower to the wall using the supplied bracket

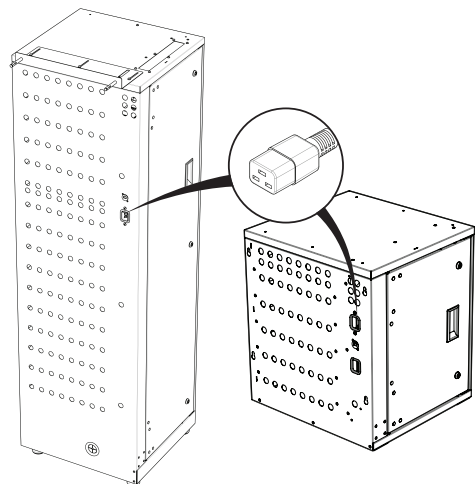


3

## CONNECT TO POWER

### NOTE

It will take approximately 2 minutes for the FUYL Tower to boot up.



## 4

### CONNECTING TO THE CLOUD

**NOTE:** Step 4 onwards is not required if you have decided to not connect your Tower to the Cloud

#### IMPORTANT

Connecting a FUYL Tower to the Cloud Platform requires technical knowledge of your organization's network configuration. Please only proceed if you are experienced with network configuration and have the permission of your network administrator.

#### Firewall and Proxy whitelisting

When onboarding a FUYL Tower, it will attempt to create an outgoing network connection to contact the Cloud Platform. These addresses may need to be whitelisted if your firewall restricts outgoing connections to unknown addresses.

Address	Port	Protocol
registry.pclocs.io	TCP 443	https
a136cfw17adibc-ats.iot.us-west-2.amazonaws.com	TCP 8883	mqtt
time1.google.com, time2.google.com, time3.google.com, time4.google.com	UDP 123	ntp

**For more details, follow the links below:**

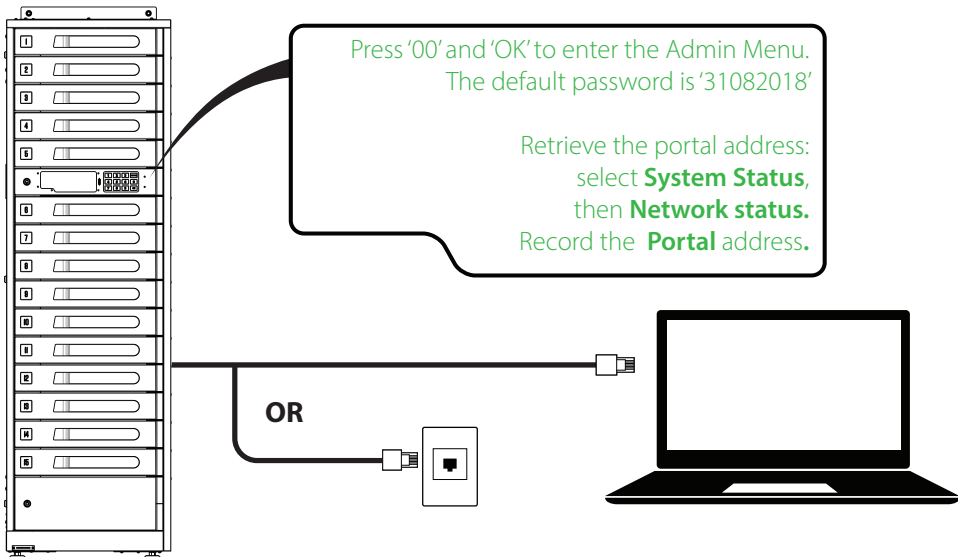
Australia and NZ: <https://pclocs.io/docs/fuyl/networking>

US and the rest of the world: <https://lockncharge.io/docs/fuyl/networking>

## 5

### RETRIEVE LOCAL HOST ADDRESS

Connect the ethernet cable to your laptop or port and enter the admin menu on the Tower's LCD screen.



## 6

## ONBOARD TOWER TO YOUR ACCOUNT

Open browser and type the **Portal address** (the local host you recorded in step 5) to navigate to the onboarding wizard.

NOTE: Some browsers will report security warnings. The security warnings appear because the FUYL Tower has generated a self-signed certificate to secure your connection. It should be safe to proceed because it is a temporary connection to the local host on the FUYL Tower.

### Default login credentials

Username: admin

Password: 31082018

### Follow the onboarding wizard to connect your Tower to your Cloud Account.

In addition to the networking requirements highlighted in step 4, you will also need to have your **Account Code** available which would have been emailed to you on sign up. For more details on networking requirements, follow the links below:

Australia and NZ: <https://pclocs.io/docs/fuyl/networking>

US and the rest of the world: <https://lockncharge.io/docs/fuyl/networking>

## 7

## LOGIN TO THE CLOUD PORTAL WITH YOUR ACCOUNT



For additional FUYL Tower and Cloud resources, please visit on of the following web pages:

Australia and NZ: [www.pclocs.com.au/fuyl-tower-support-library](http://www.pclocs.com.au/fuyl-tower-support-library)

USA: [www.lockncharge.com/fuyl-tower-support-library](http://www.lockncharge.com/fuyl-tower-support-library)

UK and Europe: [www.lockncharge.com/eu/fuyl-tower-support-library](http://www.lockncharge.com/eu/fuyl-tower-support-library)