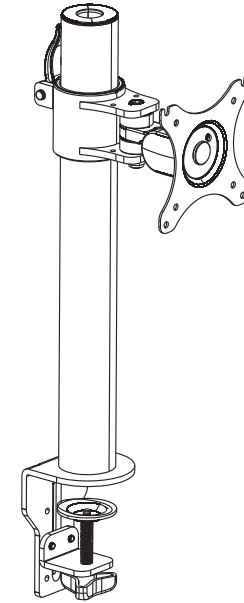




CAUTION

- This product contains small items that could be a choking hazard if swallowed. Keep these items away from young children.
- Make sure these instructions are read and completely understood before attempting installation. If you are unsure of any part of this installation, please contact a professional installer for assistance.
- The desk or mounting surface must be capable of supporting the combined weight of the mount and the display.
- Please check the installation every two months, ensuring that all of the screws are tight.
- This product has been designed to be installed to a desk. Before installation, ensure that the desk can safely support the weight of the mount and any attached monitor.
- Ensure that the weight of any equipment to be attached to the mount does not exceed the 22 lb. maximum weight capacity of the mount.

 **MONOPRICE**



Essential Single Monitor Desk Mount



75x75 → 100x100



10"-30"



Supports up to 22 lbs



-85° ~ 15°

www.monoprice.com

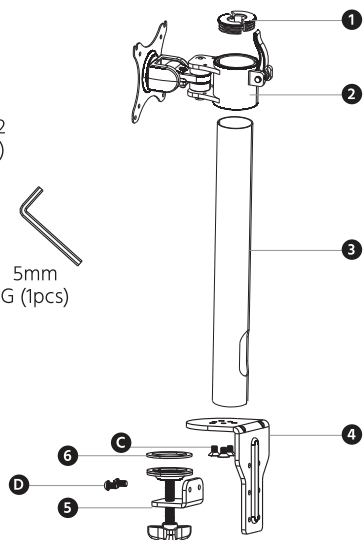
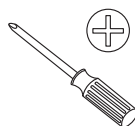
P/N **16243**
User's Manual

PACKAGE CONTENTS

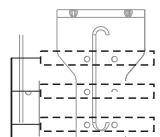
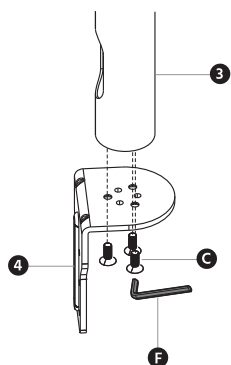
 M4x12mm A (4pcs)
  M5x12mm B (4pcs)
  M6x20mm C (3pcs)
  M6x10mm D (2pcs)
  6.5x13x2 E (8pcs)

1. Tube Cover (2pcs)
2. Monitor plate (1pcs)
3. Tube (1pcs)
4. Bottom Support (1pcs)
5. Knob (1pcs)
6. Anti-Slip Rubber (1pcs)

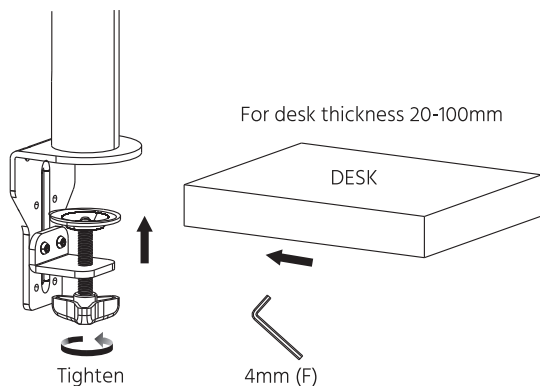
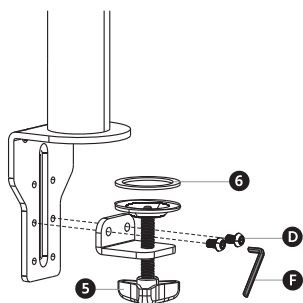
Tool needed:



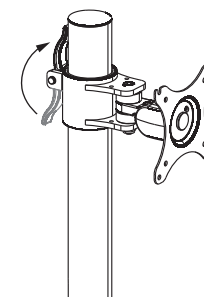
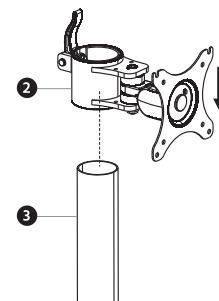
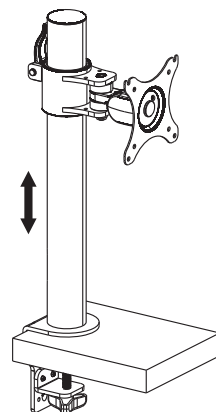
STEP 1 Fitting the bottom support on the desk



Please select the appropriate mounting holes according to the thickness of the desk



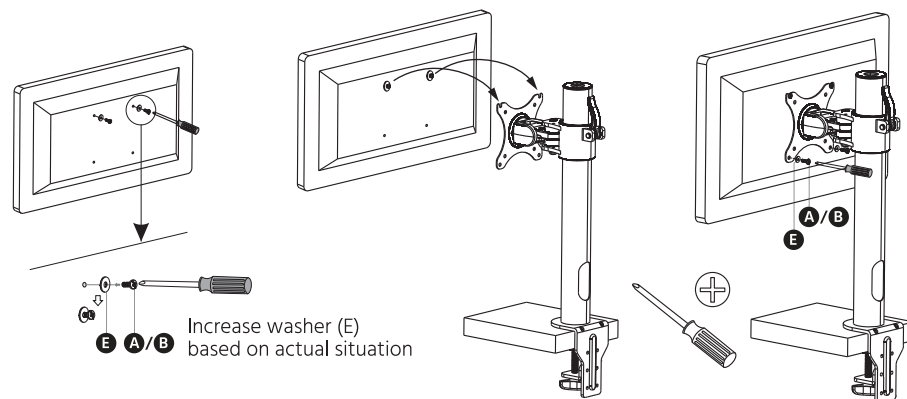
STEP 2 Install Monitor Plate



⚠ WARNING

Ensure that the handle is tightly locked before attaching the screen.

STEP 3 Attaching Screen to Monitor Plate



STEP 4 Adjusting Screen

