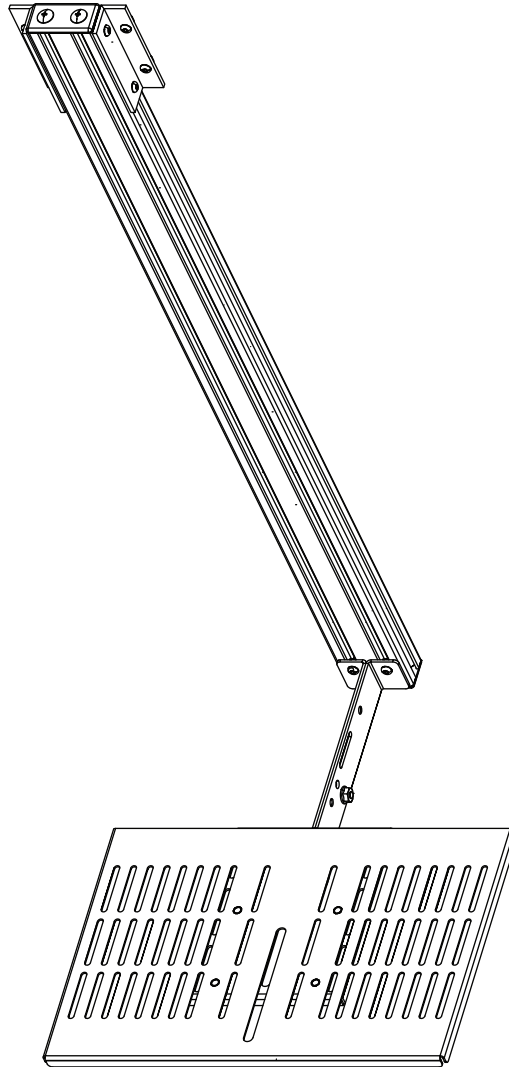


INSTRUCTION SHEET
CAMERA MOUNT SYSTEM
C5CM-128



THANK YOU

Thank you for purchasing a C5CM-128 Camera Mount. Please read these instructions thoroughly before installing this product.

PRODUCT FEATURES

- Convenient system securely mounts a camera at the bottom, middle, or top of screens of the C5 Large Format Monitor Mounting System.
- Weight rated to 10 lbs. of maximum capacity.

IMPORTANT SAFETY INSTRUCTIONS / INSTRUCTIONS IMPORTAANTES SUR LA SÉCURITÉ



WARNING! Middle Atlantic Products, Inc. electrical systems conform to and should be properly grounded in compliance with requirements of the current National Electrical Code or codes administered by local authorities.
All electrical products may present a possible shock or fire hazard if improperly installed or used. Middle Atlantic Products, Inc. electrical products may bear the mark of a Nationally Recognized Testing Laboratory (NRTL) and should be installed in conformance with current local and/or the National Electrical Code.



AVERTISSEMENT! Middle Atlantic Products, Inc. électrique systèmes conformes à devraient être mis à la terre dans conformité avec les exigences de la National actuelle ou comme les codes électrique administré par les autorités locales autorités.
Tous les produits électriques peuvent présenter un choc ou un incendie danger si elle est mal installé ou utilisé. Middle Atlantic Products, Inc. produits électriques peuvent porter la marque d'un Nationally Recognized Testing Laboratory (NRTL) et doit être installé en conformité avec courant local et/ou le National Electrical Code.

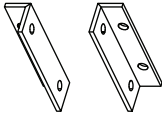


WARNING! Failure to read, understand and follow the following information can result in serious personal injury, damage to the equipment or voiding of the warranty. It is the responsibility of the Installer/User to ensure that this product is loaded according to specifications.

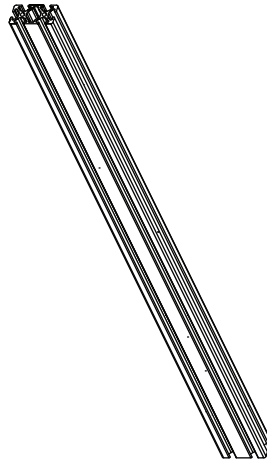


AVERTISSEMENT! Refus de lire, comprendre et suivre la renseignements suivants peut traduire par de graves blessures, des dommages à l'équipement ou invalider la garantie. Il est la responsabilité de l'installateur / utilisateur de s'assurer que ce produit est chargé conformément aux spécifications.

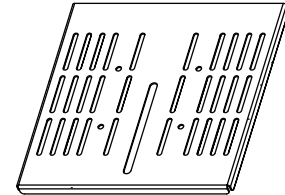
SUPPLIED COMPONENTS



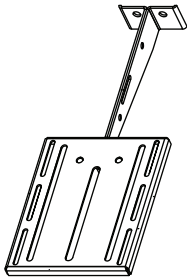
Brackets



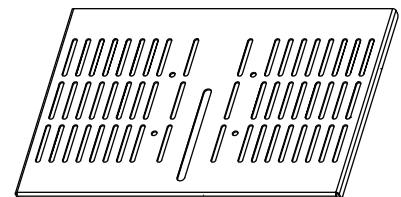
Support Beam



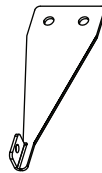
8" x 8"
Camera Mounting
Plate



Camera Mounting
Bracket



8" x 12"
Camera Mounting
Plate



Camera Mounting
Bracket Reinforcement

SUPPLIED HARDWARE



(10x) M4 x 10
Hex Screws



(10x) Drop-In
M4 T-nuts



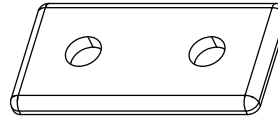
(2x) M6 x 12 Phil.
Head Screws



(5x) 10-32 Hex
Flange Nuts



10-32 x 1/2 Phil.
Head Screw



(2x) End
Caps



(4x) End Cap
Plugs

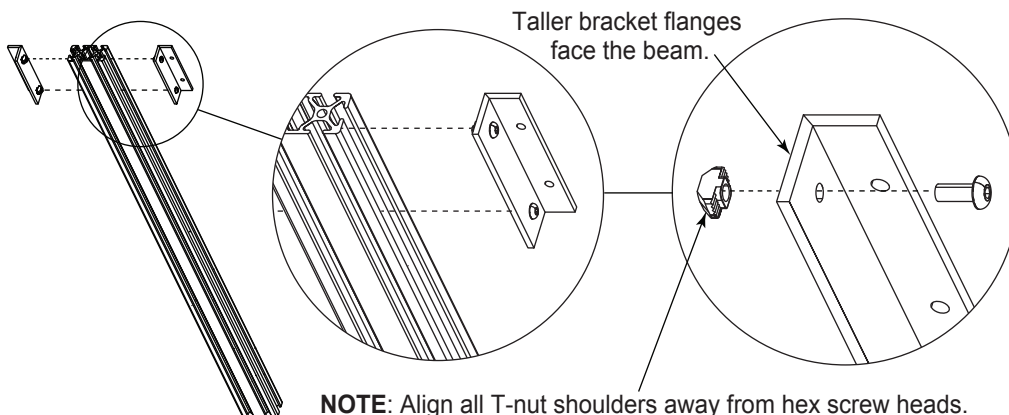
REQUIRED TOOLS

- 2.5 mm Hex Key
- #2 Phillips Driver
- 3/8" Wrench
- Rubber Mallet

ATTACHING BRACKETS TO THE SUPPORT BEAM

1. Pass (4x) M4 x 10 hex screws through the taller flanges of the bracket and use a 2.5 mm hex key to partially screw them into M4 T-nuts (1-2 rotations only).
2. Vertically slip the T-nuts into the support beam channel and further tighten the screws so the bracket can still slide vertically along the support beam. (**FIGURE A**)
3. Repeat the process with the second bracket on the other side of the support beam and align both brackets so they are vertically positioned evenly along the support beam. Tighten all screws to secure your desired vertical support beam position.

NOTE: You may need to loosen the screws later in order to make minor adjustments.



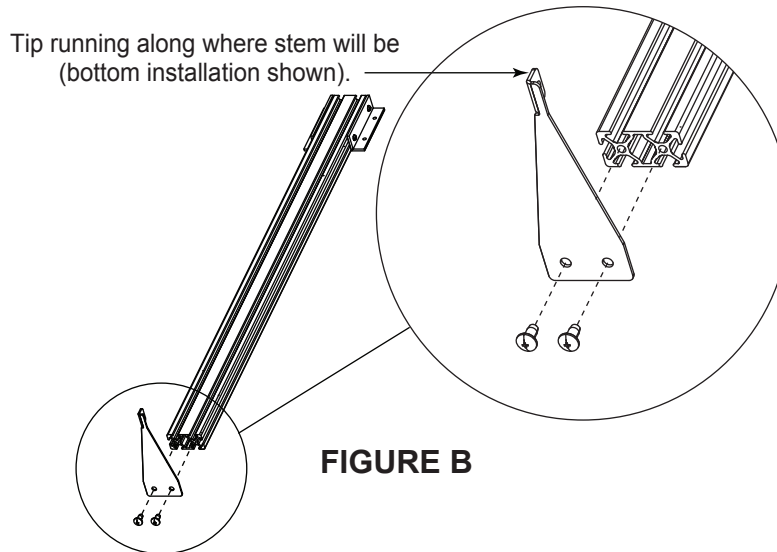
NOTE: Align all T-nut shoulders away from hex screw heads. Partially tighten in order to provide enough clearance for T-nut shoulders to catch on the inside of support beam channels when tightening.

FIGURE A

INSTALLING THE CAMERA MOUNTING BRACKET REINFORCEMENT (IF APPLICABLE)

NOTE: Only install the bracket reinforcement when you attach the camera mounting bracket in the top or bottom positions on the support beam.

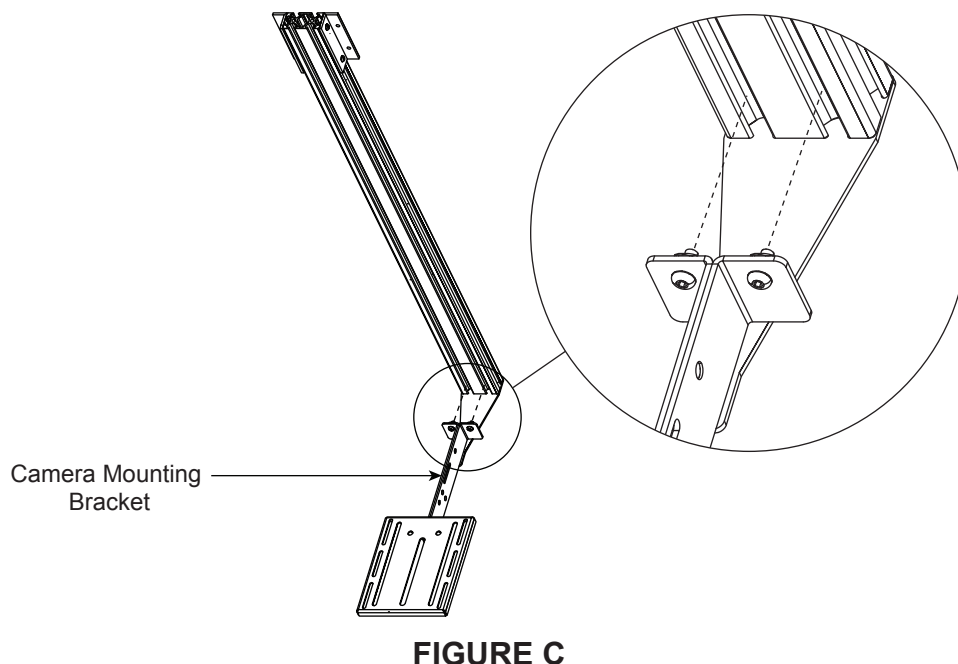
1. Use (2x) M6 x 12 Phil. head screws to attach the bracket reinforcement with the narrow tip toward where the stem of the bracket will be as shown. **(FIGURE B)**



ATTACHING THE CAMERA MOUNTING BRACKET TO THE SUPPORT BEAM

Determine if you are going to attach the camera mounting bracket to the bottom, top, or another point along the support beam.

1. Pass (2x) M4 x 10 hex screws through the camera mounting bracket and partially screw them into the M4 T-nuts. Then, vertically slip the T-nuts into the support beam channel, position the bracket to the desired location, and tighten the screws. **(FIGURE C)**



INSTALLING THE CAMERA MOUNTING BRACKET REINFORCEMENT (CONTINUED)

- Use the 10-32 x 1/2 Phil. head screw and a 10-32 hex flange nut to attach the tip of the bracket reinforcement to the stem of the camera mount. (**FIGURE D**)

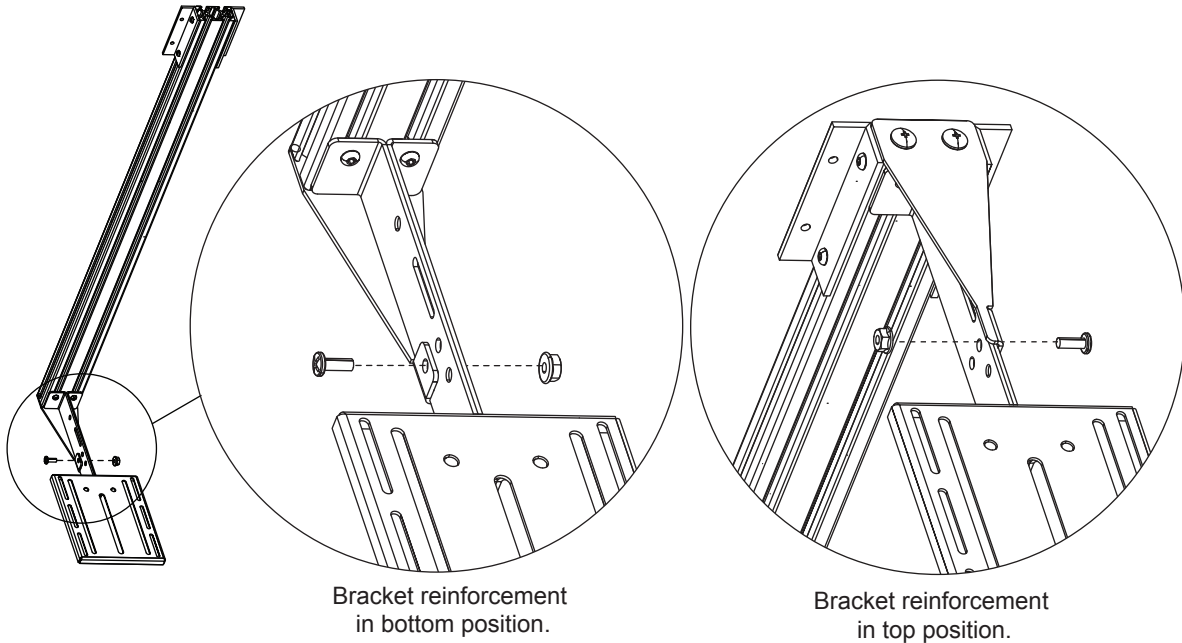
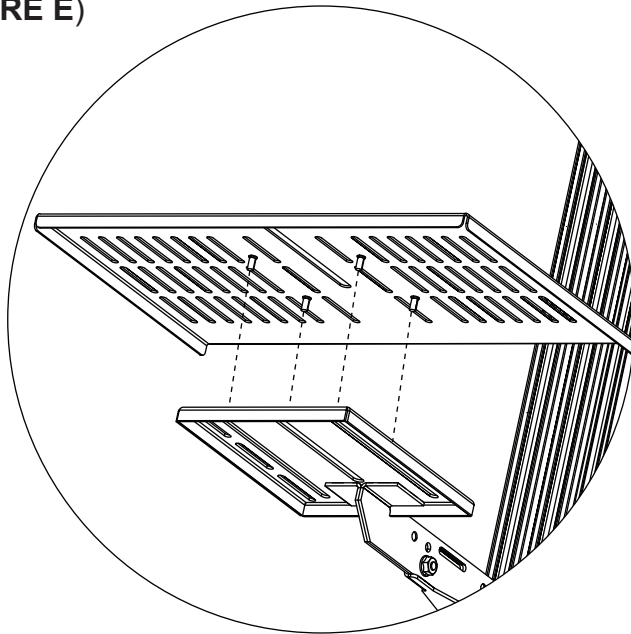


FIGURE D

ATTACHING CAMERA MOUNTING PLATES TO THE CAMERA BRACKET (IF APPLICABLE)

When needed, attach one of the camera mounting plates to the camera mounting bracket to accommodate larger camera footprints.

- Pass the 4 bolts on the bottom of the camera mounting plate through slots in the desired location on the camera mounting bracket. The plate may be positioned forward and backward along the slots. (**FIGURE E**)



NOTE: The 8" x 12" camera mounting plate is pictured here. The procedure is the same for the 8" x 8" camera mounting plate.

FIGURE E

ATTACHING CAMERA MOUNTING PLATES TO THE CAMERA BRACKET (CONTINUED)

- Use a 3/8 wrench to secure (4x) 10-32 hex flange nuts on the bolts of the camera mounting plate to attach it to the camera mounting bracket in your desired position. **(FIGURE F)**

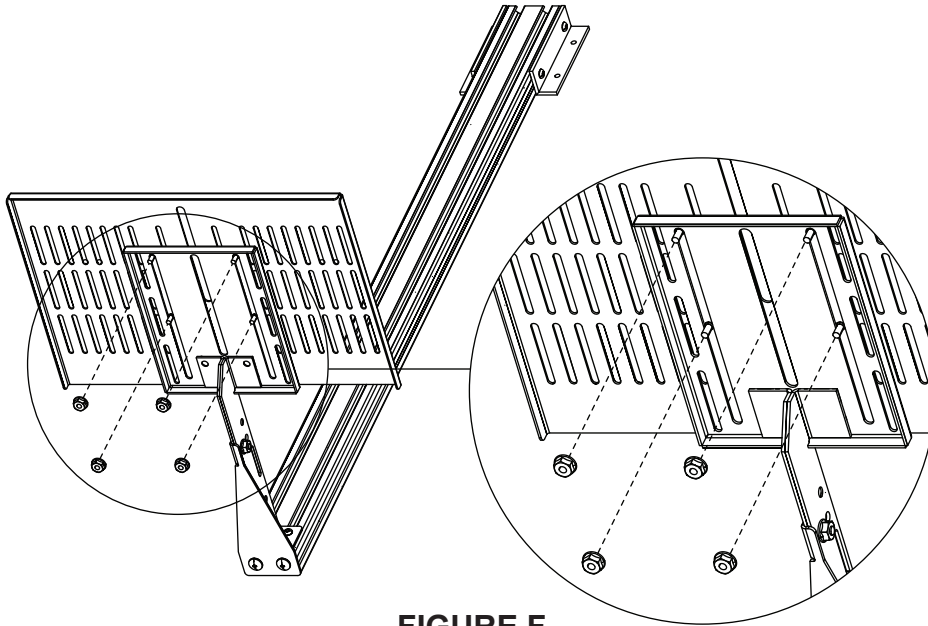


FIGURE F

NOTE: Refer to your camera's documentation for specific mounting instructions before attempting to mount the camera to the bracket or plate.

ATTACHING BRACKETS TO THE UNIVERSAL PLATE

- Pass (4x) M4 x 10 hex screws through the back flanges of both brackets and partially screw them into the M4 T-nuts (1-2 rotations only). **(FIGURE G)**

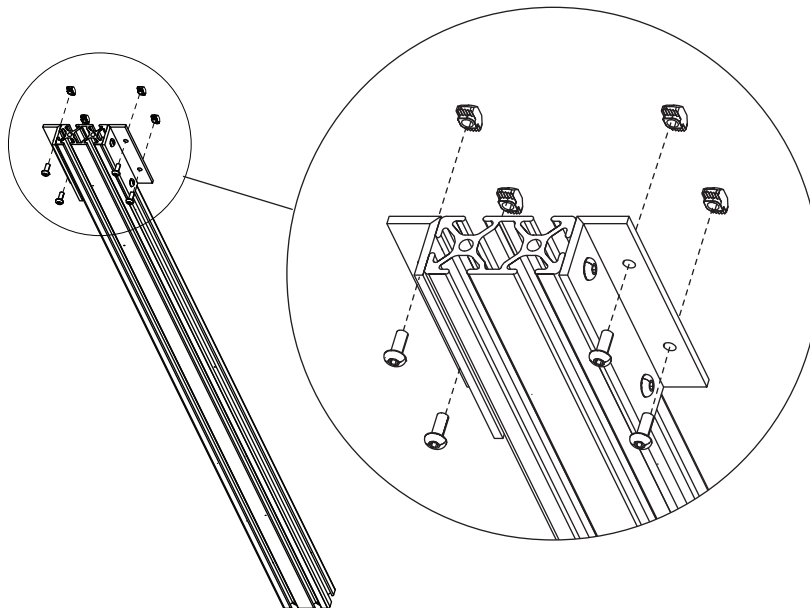


FIGURE G

ATTACHING BRACKETS TO THE UNIVERSAL PLATE (CONTINUED)

2. Horizontally slip the T-nuts into the universal plate channels and further tighten the screws to secure your desired horizontal position along the universal plate. (FIGURE H)

NOTE: You may need to loosen the screws later in order to make minor adjustments.

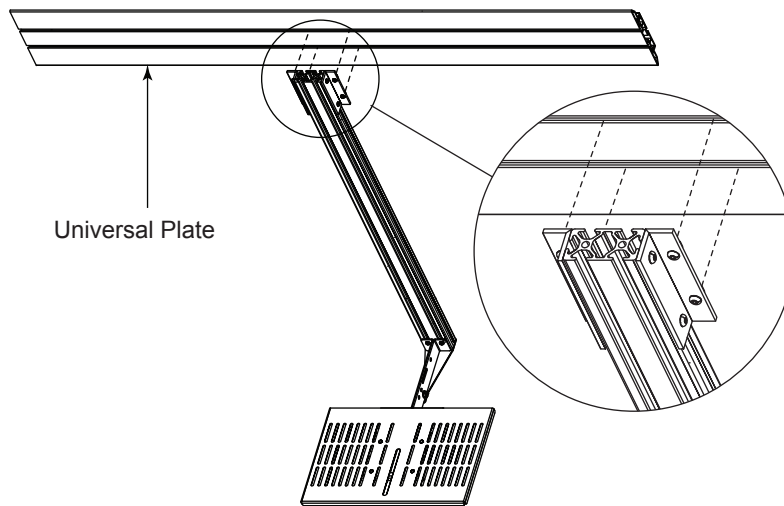


FIGURE H

ADJUSTING THE SUPPORT BEAM (IF NECESSARY)

1. Make adjustments on the universal plate (horizontally) or the support beam (vertically) by slightly loosening all M4 x 10 hex screws. (FIGURE J)

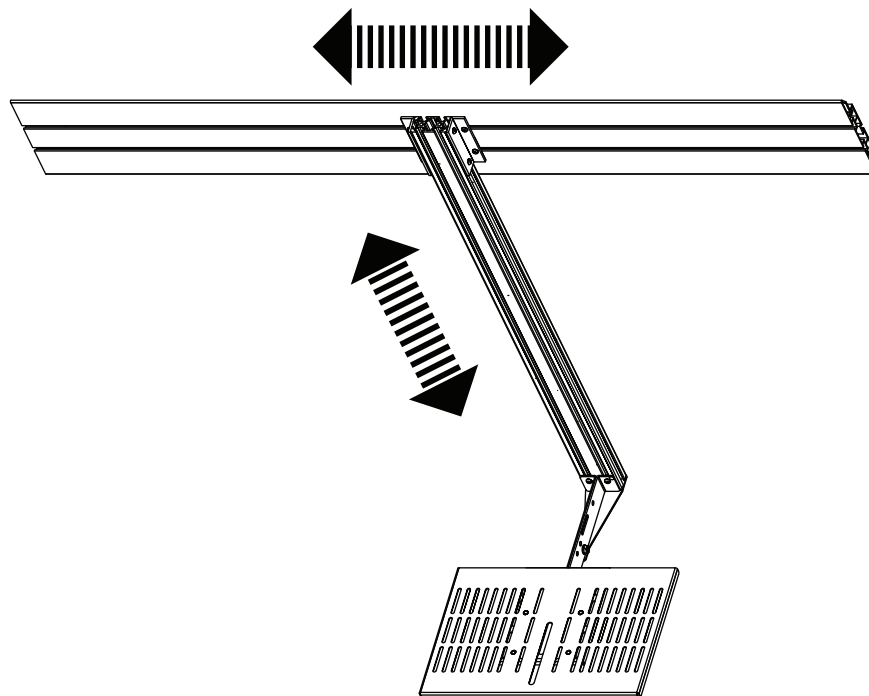


FIGURE J

2. Tighten all screws after making your adjustments. Make sure all T-nuts catch properly inside the channels on both the support beam and universal plate.

INSTALLING END CAPS

NOTE:

- If you installed your camera mounting bracket to the top or bottom positions of the support beam, install a single end cap to the opposite end of the beam.
- If you installed your camera mounting bracket on any other point along the support beam, install end caps to both ends of the beam.

1. Install two plastic end cap plugs through an end cap and into the support beam as shown. (FIGURE K)

NOTE: A rubber mallet may be necessary to force the end cap plugs flush on the end caps.

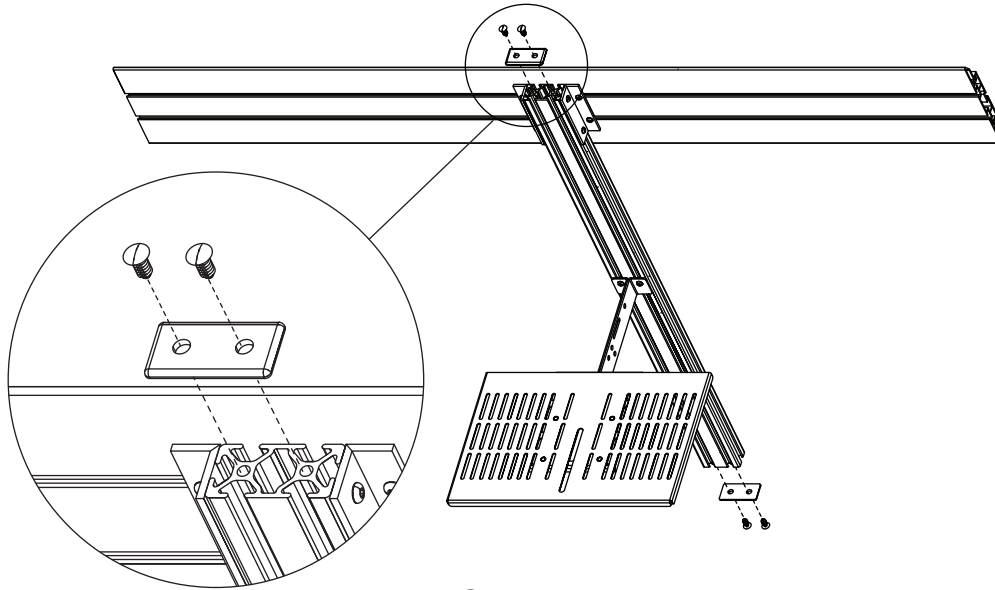


FIGURE K

WARRANTY

For warranty information, refer to www.middleatlantic.com/terms.

Corporate Headquarters

Corporate Voice: 973-839-1011 - Fax: 973-839-1976 / International Voice: +1 973-839-8821 - Fax: +1 973-839-4982

www.middleatlantic.com - info@middleatlantic.com

Middle Atlantic Canada

Voice: 613-836-2501 - Fax: 613-836-2690 / ca.middleatlantic.com - customerservicecanada@middleatlantic.ca

Factory Distribution

USA: NJ - CA - IL Canada: ON - BC

At Middle Atlantic Products we are always listening. Your comments are welcome.

Middle Atlantic Products is an ISO 9001 and ISO 14001 Registered Company.