

Installation and Assembly - DVD/DVR/VCR Mount

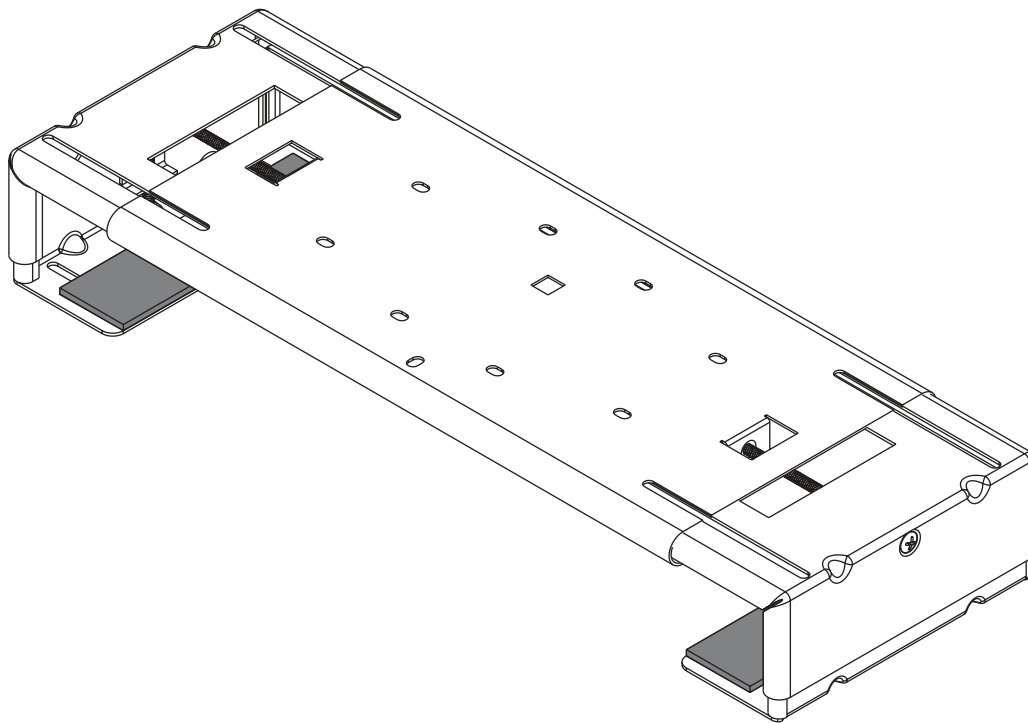
Models: DS 25, DS 25-SV,
DS 25S, DS 25S-SV,
DS 25SW, DS 25W

Maximum Load Capacity:
50 lb (22.7 kg)

Read instruction sheet before you start installation and assembly.

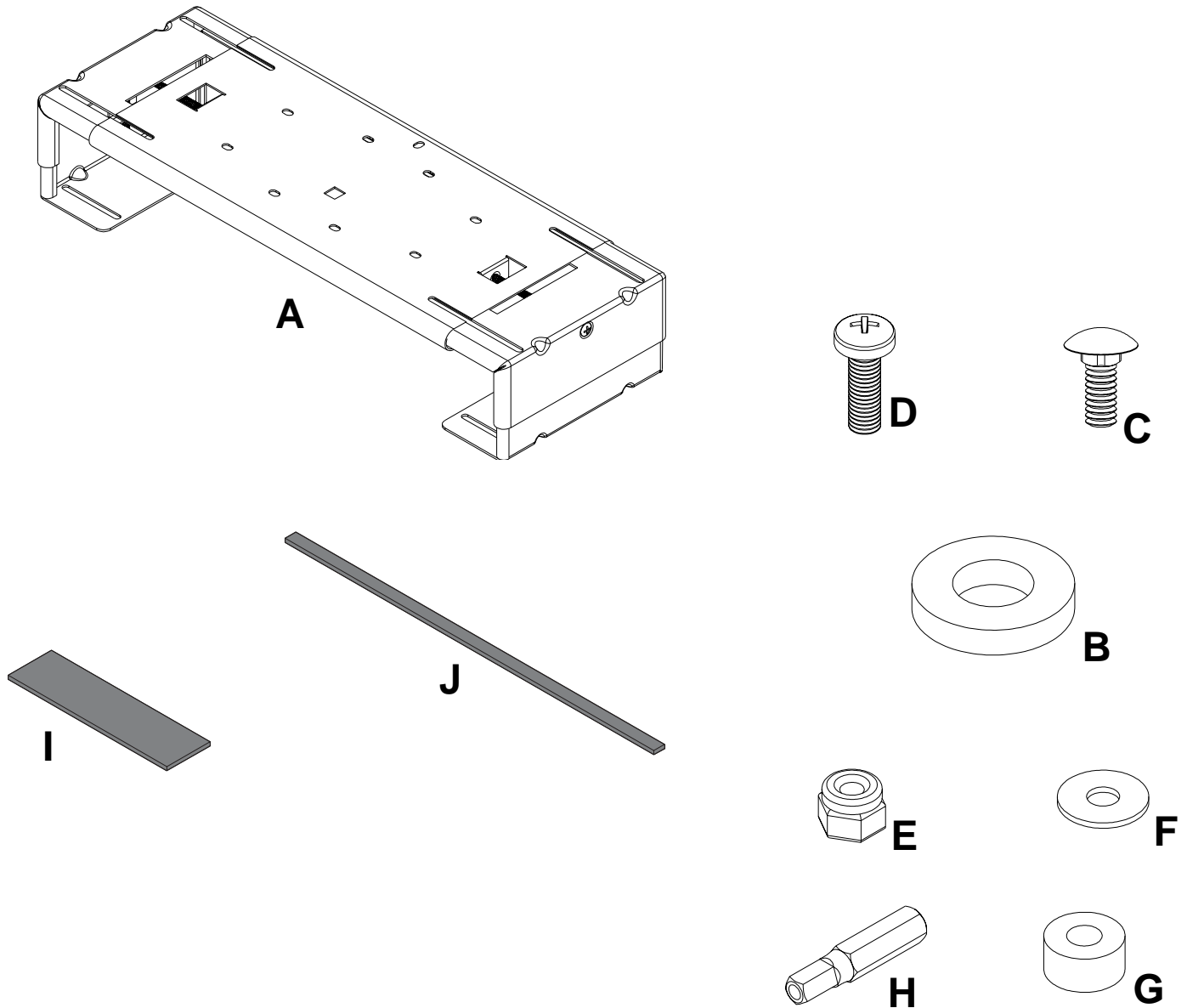
Installing DVD/DVR/VCR Mount to TV Mounts with a Cross Arm	page 3
Installing DVD/DVR/VCR Mount to TV Mounts without a Cross Arm	page 4
Installing a Single DVD/DVR/VCR Mount	page 4
Installing Multiple DVD/DVR/VCR Mounts	page 5

INSIDE DIMENSIONS		MEDIA PLAYER DIMENSIONS	
WIDTH (W)	HEIGHT (H)	MAXIMUM	MINIMUM
13.25" - 17.25" (337 mm - 438 mm)	1.5" - 2.75" (38 mm - 70 mm)	17.25" x 2.50" (438 mm x 64 mm)	13.25" x 1.5" (337 mm x 38 mm)



Parts List

Description	Qty.	DS 25	DS 25-SV	DS 25S	DS 25S-SV	DS 25SW	DS 25W
		Part #	Part #	Part #	Part #	Part #	Part #
A DVD/DVR/VCR mount	1	081-0072	081-0076	081-0073	081-0077	081-0074	081-0075
B 1/2" x 3/16" washer	1	540-1007	540-2007	540-1007	540-2007	540-2007	540-2007
C #10-24 x .5" carriage bolt	4	520-9523	520-2104	520-9523	520-2104	520-2104	520-2104
D M5 x .8 x 16 mm pan head phillips screw	3	520-9515	520-9515	520-9515	520-9515	520-9515	520-9515
E #10-24 nylock nut	4	530-9341	530-9342	530-9341	530-9342	530-9342	530-9342
F #10 SAE washer	7	540-9400	540-9442	540-9400	540-9442	540-9442	540-9442
G .219" ID x .5" OD x .25" H nylon spacer	2	540-9413	540-9443	540-9413	540-9443	540-9443	540-9443
H M5 x 1" penta-pin™ tool driver	1	—	—	520-9249	520-9249	520-9249	—
I 1.5" x 4.5" x .125" adhesive foam	2	599-1122	599-1122	599-1122	599-1122	570-0014	570-0014
J .375" x 12.75" x .125" adhesive foam	2	599-3802	599-3802	599-3802	599-3802	570-0015	570-0015



1 Peel and place four pieces of adhesive foam (**I, J**) on the horizontal cross support and vertical adjusters as shown in figure 1.1 and 1.2.

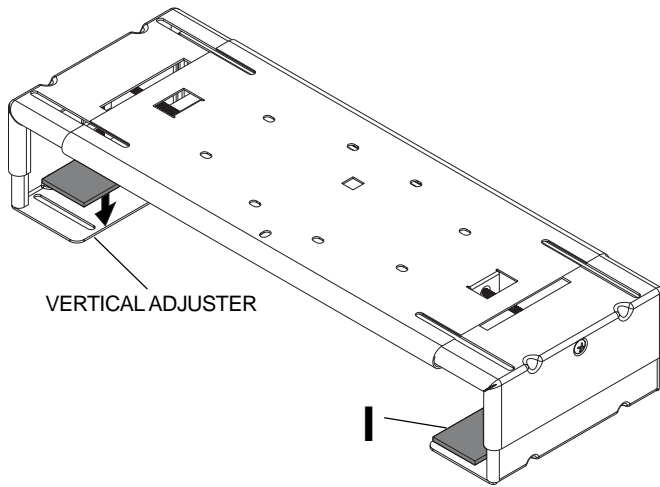


fig 1.1

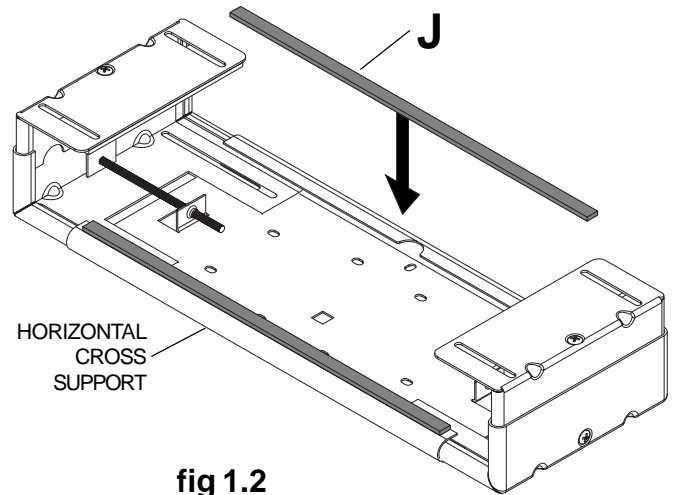
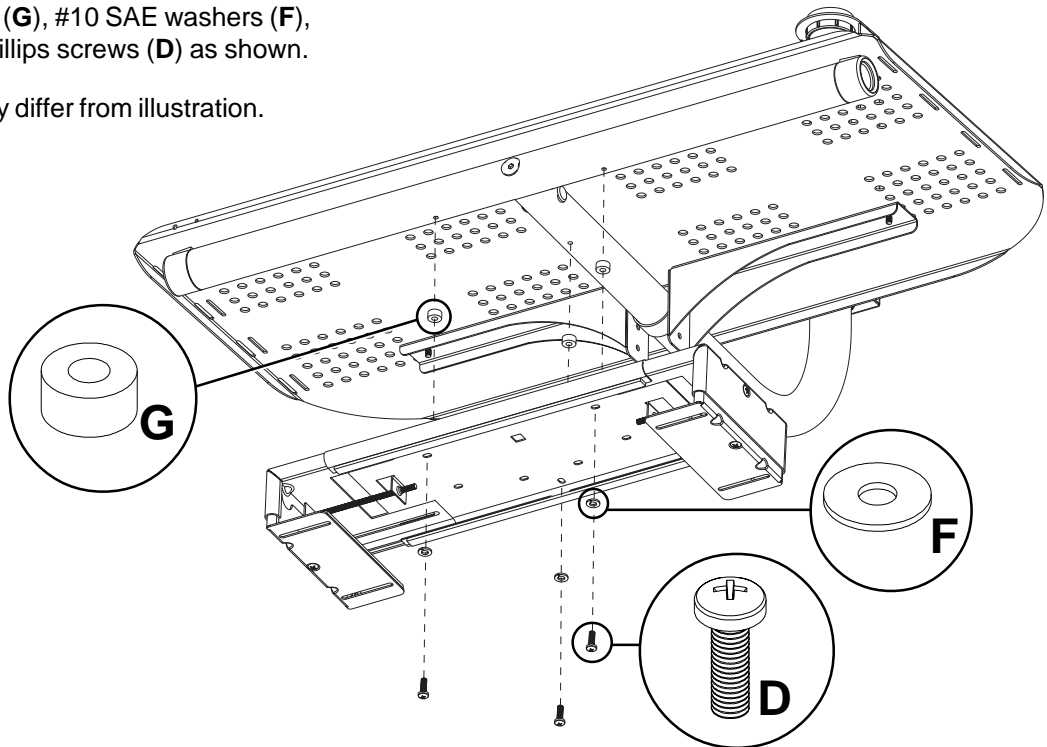


fig 1.2

Installing DVD/DVR/VCR Mount to TV Mounts with a Cross Arm

2 Install DVD/DVR/VCR Mount to TV mount using three nylon spacers (**G**), #10 SAE washers (**F**), and M5 x 16 mm phillips screws (**D**) as shown.

Note: TV mount may differ from illustration.



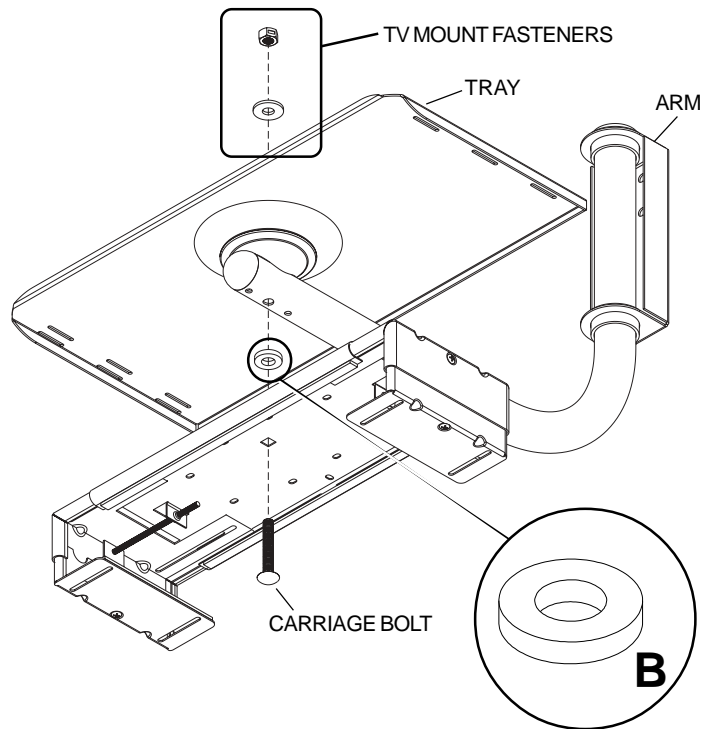
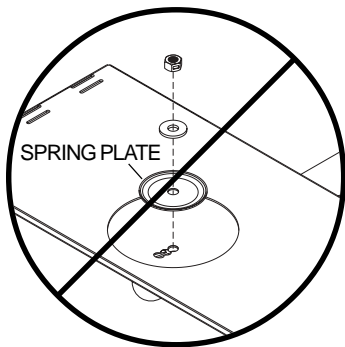
Installing DVD/DVR/VCR Mount to TV Mounts without a Cross Arm

- 2** Disassemble tray from arm of the TV mount. Install DVD/DVR/VCR mount to TV mount using carriage bolt and fasteners from TV mount and one 1/2" x 3/16" washer (**B**) as shown.

Note: TV mount and fasteners from TV mount may differ from illustration.

WARNING

- If spring plate is present in your mount, do not reinstall spring plate when attaching the DVD/DVR/VCR mount.



Installing a Single DVD/DVR/VCR Mount

- 3** Adjust size of DVD/DVR/VCR mount to fit media player by loosening vertical adjustment screws and horizontal adjustment screws where shown in figure 2.1 on both sides. Insert media player and align front of player with front of TV on TV mount. Tighten screws where shown in figure 2.2 on both sides until player securely fits in mount.

Note: TV and TV mount not shown in illustrations.

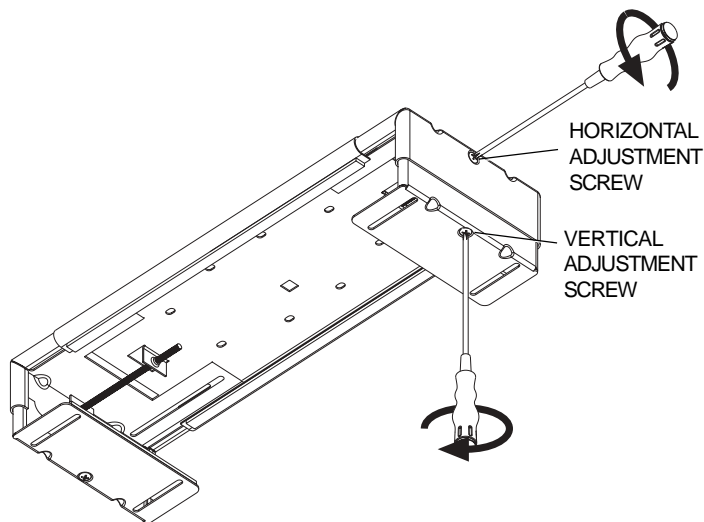


fig 2.1

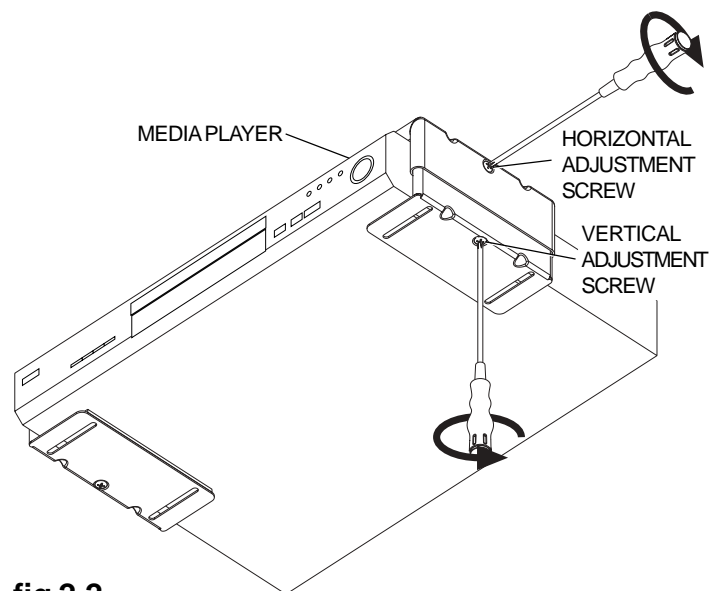


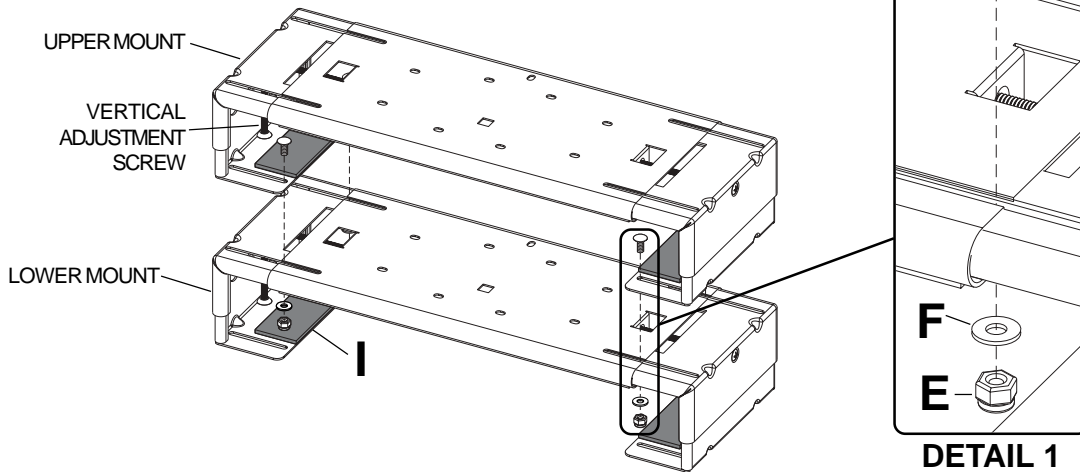
fig 2.2

Installing Multiple DVD/DVR/VCR Mounts

- 3** If adhesive foam (**I**) is covering slots, trim foam (**I**) to expose slots. Insert four carriage bolts (**C**) into slots of upper DVD mount. Loosely attach lower DVD mount using four #10 SAE washers (**F**) and #10-24 nylock nuts (**E**). This will allow access to the vertical adjustment screws of the upper mount by being able to easily move the lower mount.

⚠ WARNING

- Do not stack more than three DVD/DVR/VCR Mounts from a TV mount.
- Stacked load cannot exceed 50 lb (23 kg).



- 4** Adjust size of the upper DVD mount to fit media player by loosening screws on both sides. Insert media player and align front of player with front of TV on TV mount. Tighten vertical adjustment screws and horizontal adjustment screws where shown on both sides until player securely fits in mount.

Note: To access the vertical adjustment screws of the upper mount, slide the lower mount to the side. Repeat for the opposite side.

Center lower DVD mount and securely tighten four nuts (**E**). Repeat beginning of this step to install the media player into the lower DVD mount.

Note: TV and TV mount not shown in illustrations.

