

# Phantom Specter

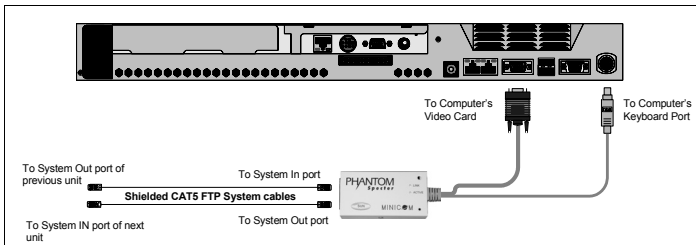
## Quick Installation Guide



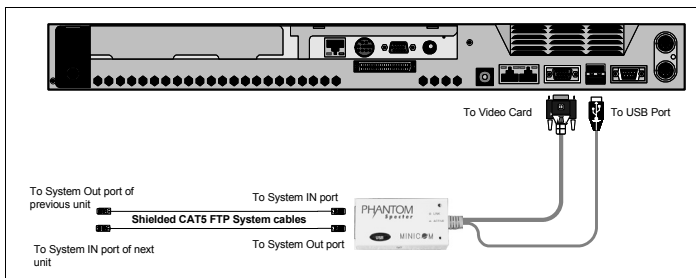
International HQ	North American HQ	European HQ	Italy
Jerusalem, Israel Tel: + 972 2 535 9666 minicom@minicom.com	Linden, New Jersey Tel: + 1 908 4862100 info.usa@minicom.com	Dübendorf, Switzerland Tel: + 41 1 823 8000 info.europe@minicom.com	Rome Tel: + 39 06 8209 7902 info.italy@minicom.com

www.minicom.com Customer support - support@minicom.com  
SUM20072 V2.4 11/03

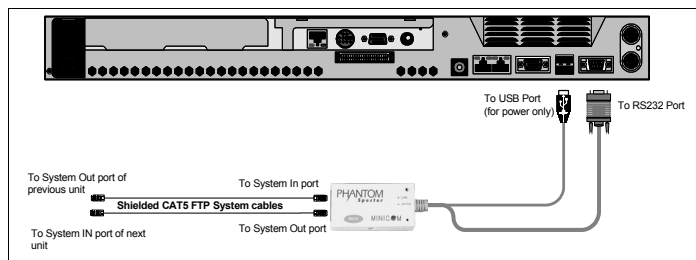
### QUICK INSTALLATION GUIDE



The Specter II SUN connections



The Specter II USB connections



The Specter II RS232 connections

### 1. What is the Phantom system?

The Phantom system from Minicom is a distributed KVM switching solution for 1 or more users. In the 1-User system a Manager controls the remote computers that are connected to Phantom Remote units. The Remote units can be either PCI cards or boxes called Specters. For multi-user functionality add a Phantom MX II.

ALL types of Phantom Manager and Remote units are compatible with each other.

This Quick Installation Guide illustrates the Phantom Specter, its cables, and how to install it. For further information please see the softcopy Guide on the Marketing & Documentation CD.

### 2. Pre installation instructions

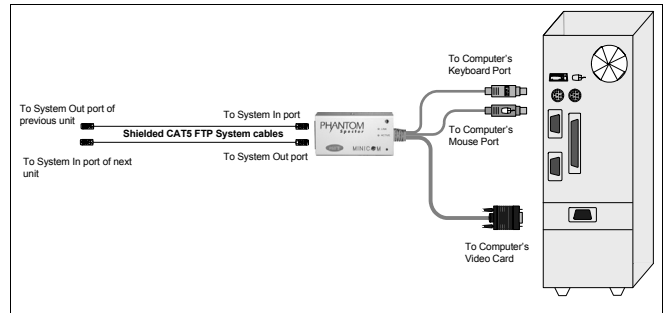
Disconnect all computers from the electrical power supply.

Place cables away from fluorescent lights, air conditioners, and any machine that is likely to generate electrical noise.

### 3. Connecting the Specter PS/2 & Specter II PS/2, SUN, USB, RS232

Connect the Specters to computers and to the Phantom system as illustrated in the figures below.

Connect a Terminator to the System Out port of the last Specter in the daisy chain.



The Specter PS/2 & Specter II PS/2 connections

### 4. The Specter RS232 Power Options

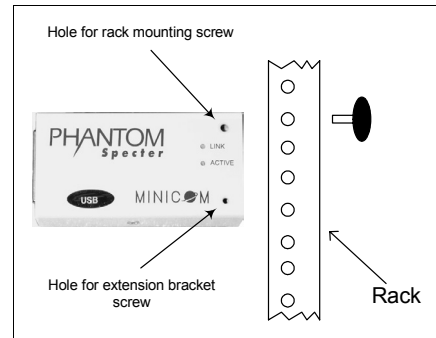
1. USB connection for power only (illustrated above)
2. Server without USB - connect a USB to PS/2 Adapter as illustrated below. Connect the adapter to the Keyboard port.



3. External power - connect USB connector to an optional power adapter

### 5. Rack mounting

Specters can be mounted on racks. There are numerous types of racks, and some may need an extension bracket (to be ordered separately). Use the Mounting kit screw provided to attach the Specter to a rack as illustrated in the figure below.



Alternatively, attach the Specter to the side or back of the computer with the Velcro strips provided. For the strips to attach properly ensure that the surface is clean and dry.

### 6. What happens next?

See the Read This First (RTF) to assign ID numbers and configure keyboard settings. The Phantom system is then ready for use.