

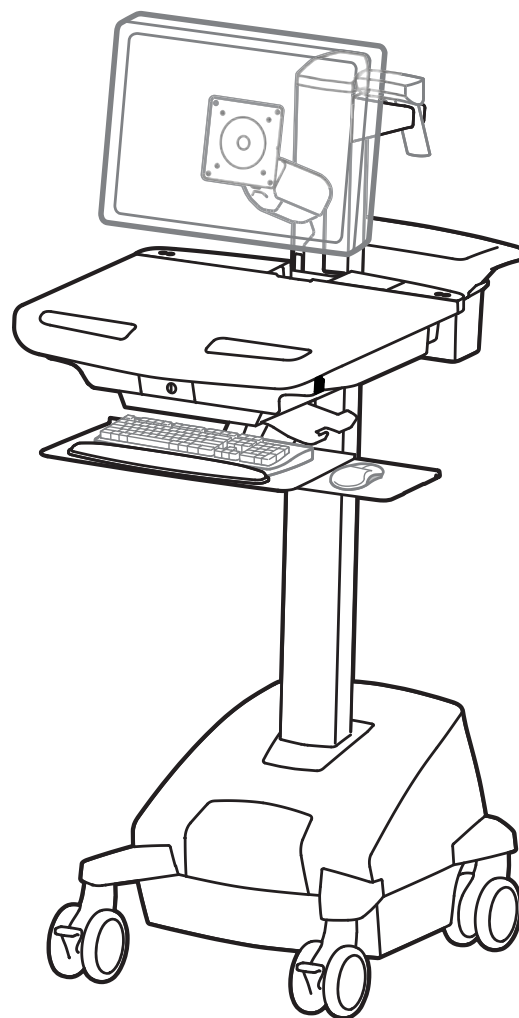
# ergotron®

## StyleView® SV42 Electric Lift Cart with LCD Arm and LiFe Power System

Please read and save these instructions for future reference. Read carefully before attempting to assemble, install, operate, or maintain this product. Protect yourself, your equipment, and others by observing all safety information. Failure to comply with instructions could result in voiding of the product warranty and may result in personal injury and/or property damage.

StyleView powered carts provide electrical AC power for mobile point of care computing equipment in a healthcare environment. The carts are not intended to power medical products or devices. Outlets are provided to power information technology equipment only such as computer equipment and computer peripherals.

Features & Specifications.....	2 - 3
Set-up .....	4 - 12
Adjustment .....	11
Battery Charge/Discharge.....	12
Change Fuse (5 Amp).....	13
Change Power System Batteries .....	14 - 16
Cart Storage .....	16
Ergonomics.....	17
Maintenance & Safety .....	17- 20
Dimensions .....	21
Trouble Shooting.....	22



**English**



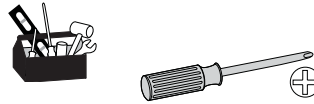
For the latest User Installation Guide and StyleLink Software Download please visit: [www.ergotron.com](http://www.ergotron.com)  
English, Español, Français, Deutsch, Nederlands, Italiano, Svenska, 日本語, 汉语

[www.ergotron.com](http://www.ergotron.com) | USA: 1-800-888-8458 | Europe: +31 (0)33-45 45 600 | China: 400-120-3051 | Japan: [japansupport@ergotron.com](mailto:japansupport@ergotron.com)

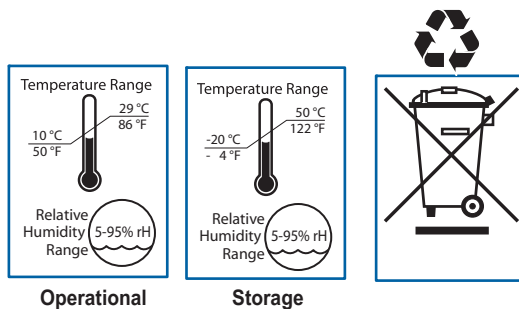
## Components

	A	B
1	1x  12x	4x  2x  2x
2	1x  1x  2x	2x  1x
3	1x  M4 x 5mm	2x  1x
4	4x  M4 x 10mm 8x  M4 x 10mm	2x  1x
5	1x  M4 x 8mm 1x	1x  M4 x 8mm
6	1x	1x
7	1x  5mm	1x  3mm
8	1x	1x  1x
9	2x  M4 x 12mm	1x
10	4x	1x

## Tools Needed



## Features & Specifications



This Class A digital apparatus complies with Canadian ICES-003.

Cet appareil numérique de la classe A est conforme à la norme NMB-003 du Canada.

### FCC Compliance Statement

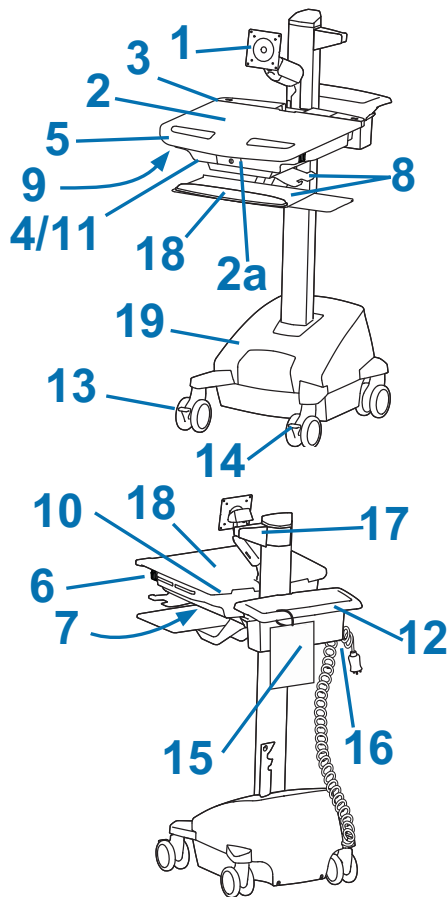
The cart has been tested and found to comply with the limits for a Class A digital device, pursuant to part 15 of the FCC Rules. These limits are designed to provide reasonable protection against harmful interference when the equipment is operated in a commercial environment. This equipment generates, uses, and can radiate radio frequency energy and, if not installed and used in accordance with the instruction manual, may cause harmful interference to radio communications. Operation of this equipment in a residential area is likely to cause harmful interference in which case the user will be required to correct the interference at his own expense.

**Changes or modifications not expressly approved by Ergotron, Inc. could void the user's authority to operate the equipment.**

Please contact Ergotron for complete EMC compatibility information.

# Features & Specifications

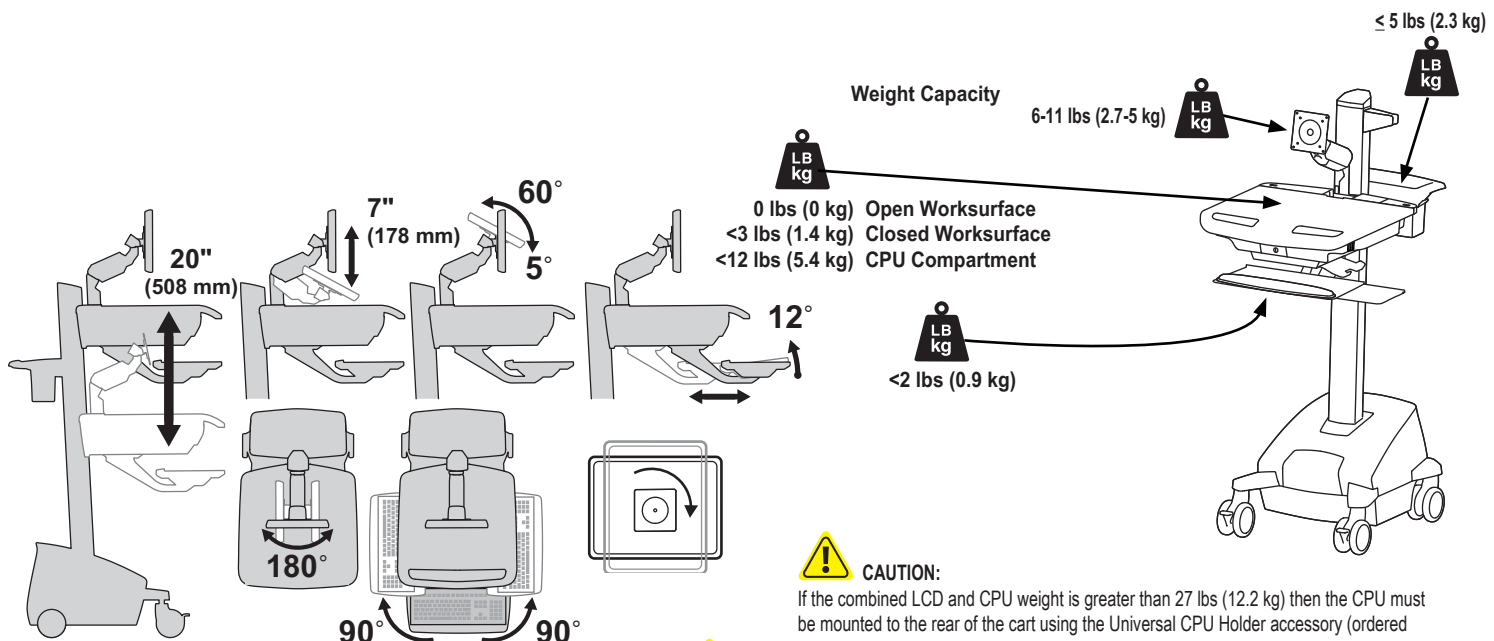
Part Number	Power System
SV42-7202-1	Input: 120VAC/60 Hz, 5.0A; Output: 120VAC/60 Hz, 150VA, 150W. • The cart and power system are certified to UL 60601 and CAN/CSA-C22.2 601.1-M90



1. Height Adjustable LCD Mount attaches LCDs or tablet PC's with 75x75 or 100x100mm mounting interface
2. Worksurface 2a. Worksurface Lock and Release
3. User Interface
4. Secure Storage for Laptop, Thin Client or CPU
5. Front Handle
6. Electric Height Adjustment Button
7. USB Hub connects keyboard and mouse USB cables
8. Keyboard tray slides out, tilts and allows for right or left mousing with attached mouse holder
9. Keyboard Light under Front Handle
10. Keyboard Light Switch
11. Cable Management and Storage for excess cables and power supplies
12. Storage Basket and Rear Handle
13. Front Locking Caster
14. 3 Function Caster - locks swivel or rotation and swivel.
15. Quick Reference Card
16. Power Cord Hooks
17. Scanner Holder
18. Antimicrobial coating on worksurface and wrist rest
19. **Power System**

The StyleView AC Power System allows your power supply to travel with the cart. The Power System is integrated in the base of the cart and comes standard with battery, power module, User Interface (UI), outlet box and power cord.


- User Interface (UI): Allows power system output to be turned on or turned off, monitors battery charge remaining, and provides low battery charge audible alarm.
- Battery: One 40-Ah Lithium battery.
- The minimum operational temperature is 10°C (50°F) and the maximum operational temperature is 29°C (86°F). The recommended humidity range for operation is 5-95% rH.
- The recommended cart storage temperature is 25°C (77°F). At this temperature, the battery's age-related capacity loss is minimized. The minimum storage temperature is -20°C (-4°F) and the maximum storage temperature is 50°C (122°F). The recommended humidity range for storage is 5-95% rH.

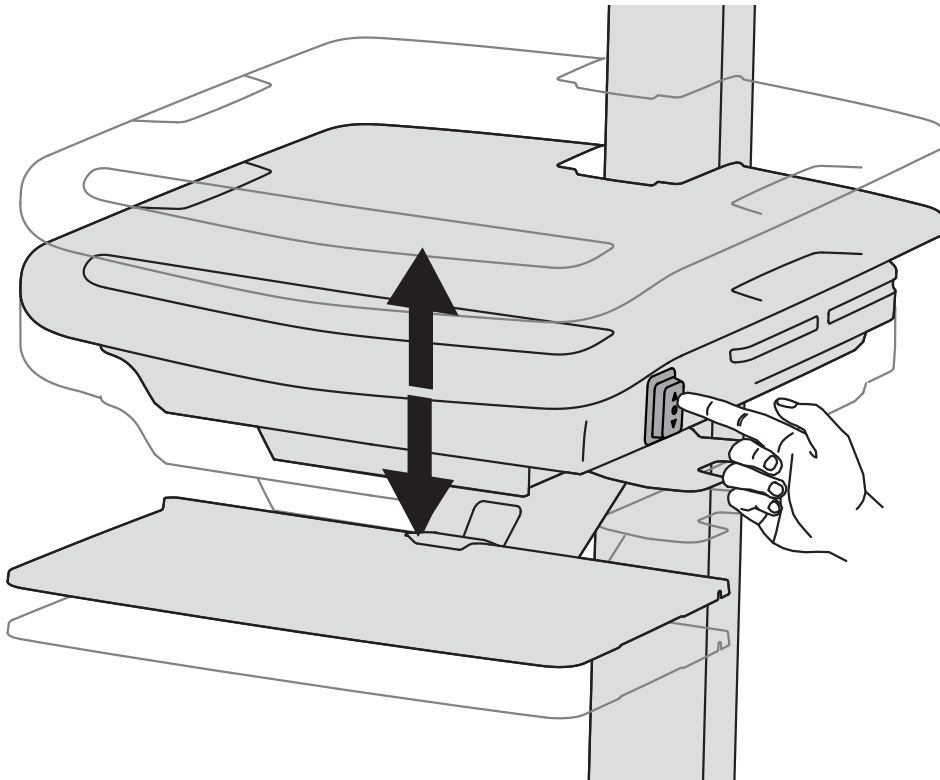


**CAUTION:** DO NOT EXCEED MAXIMUM LISTED WEIGHT CAPACITY. SERIOUS INJURY OR PROPERTY DAMAGE MAY OCCUR!

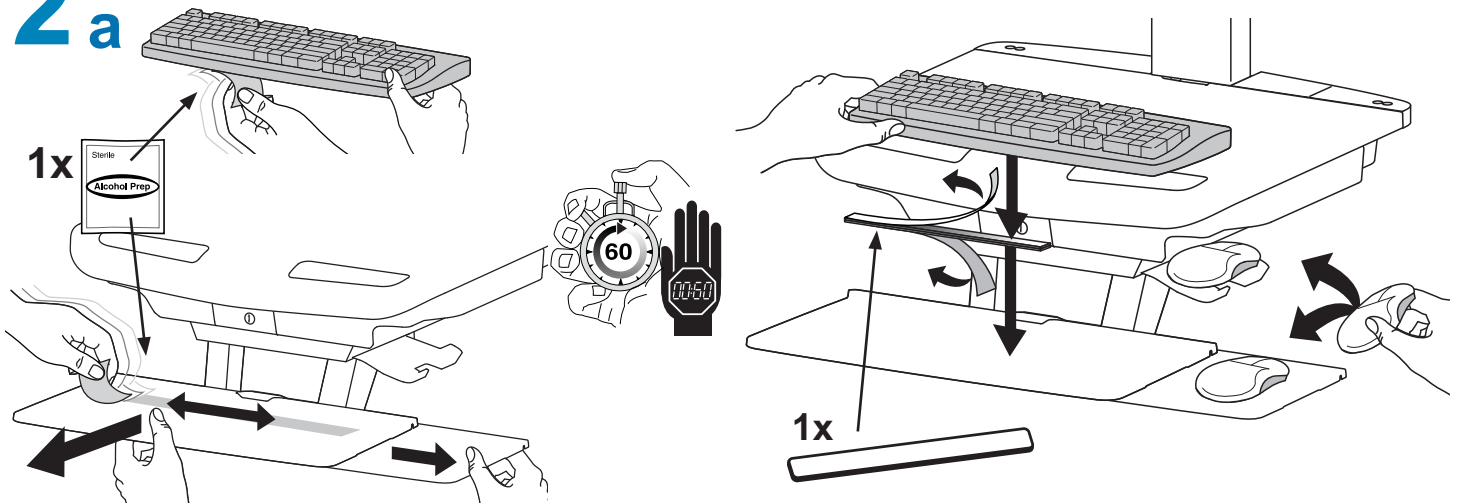
## Set-up

**1** Push and hold button to lift or lower.

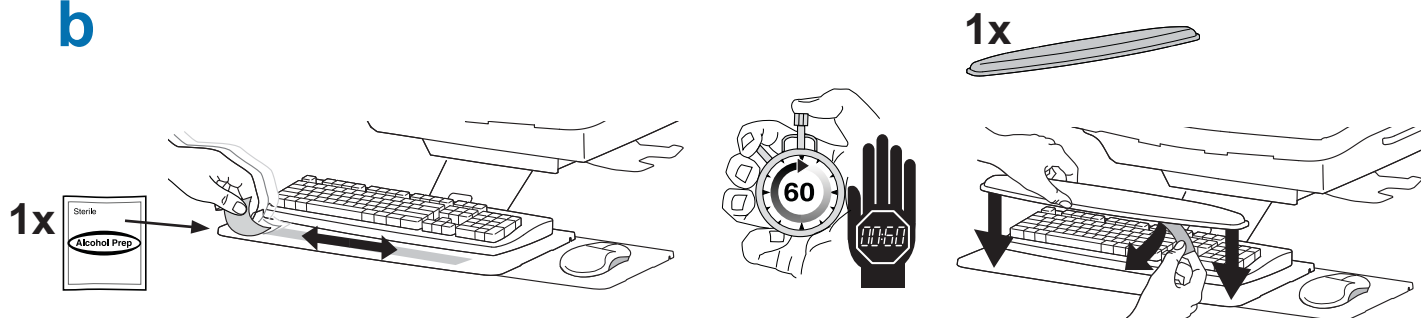
 CAUTION: Avoid obstacles when raising or lowering the cart.



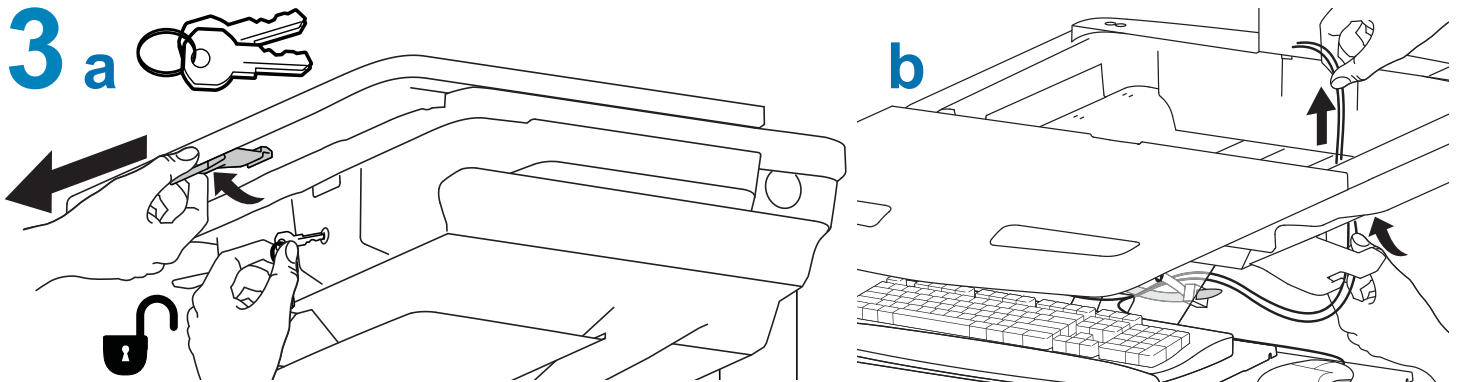
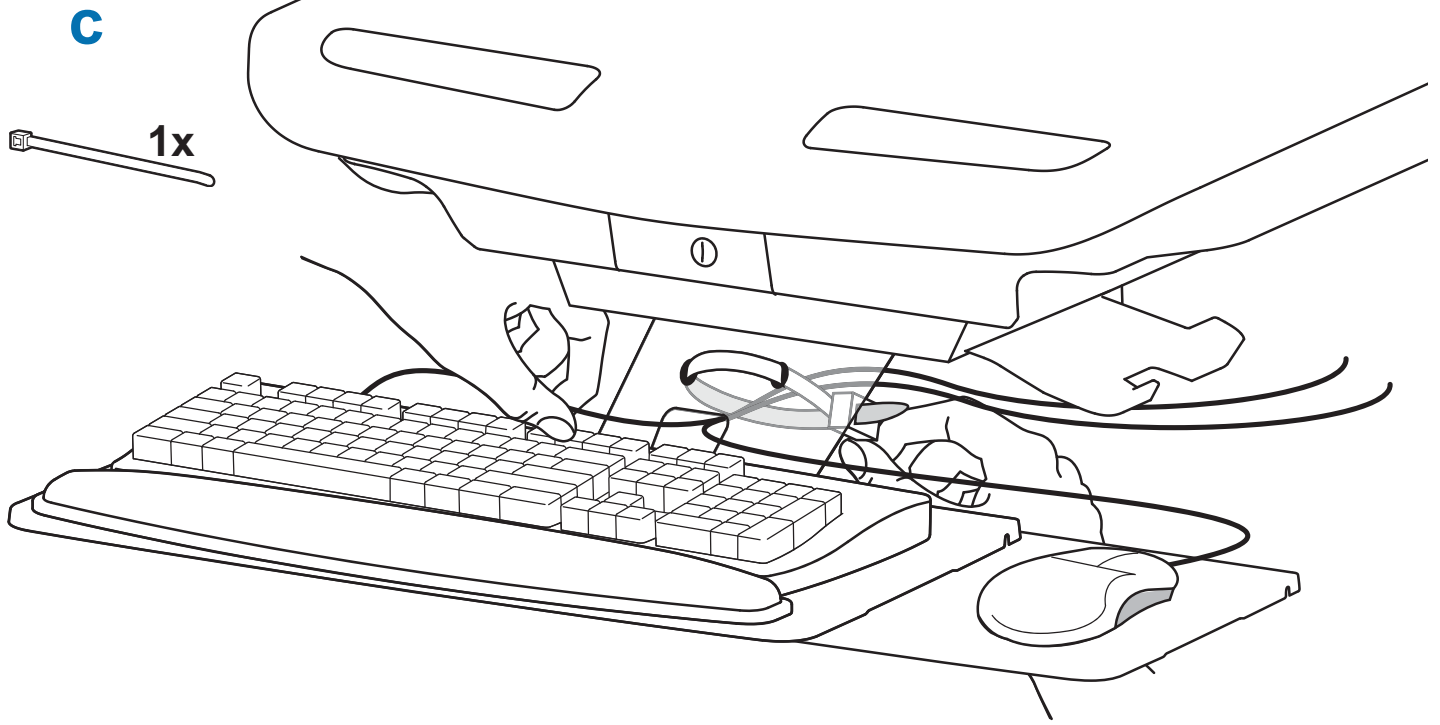
**2 a**



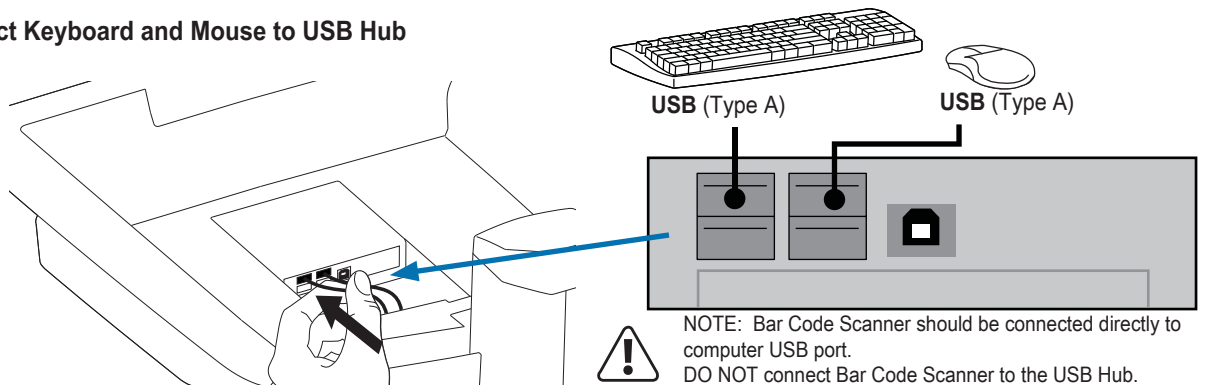
**b**

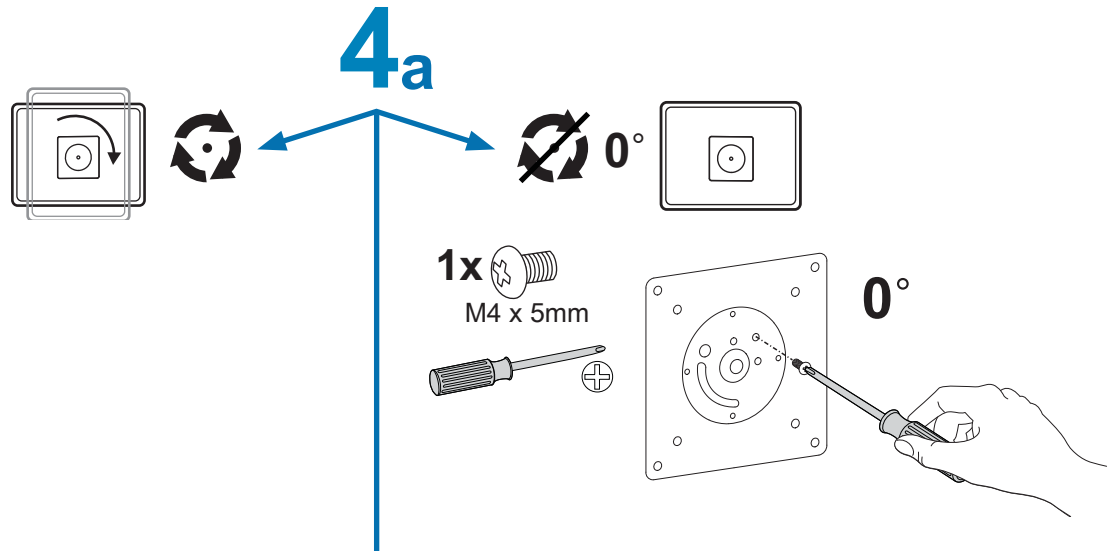


## Set-up



**C** Connect Keyboard and Mouse to USB Hub

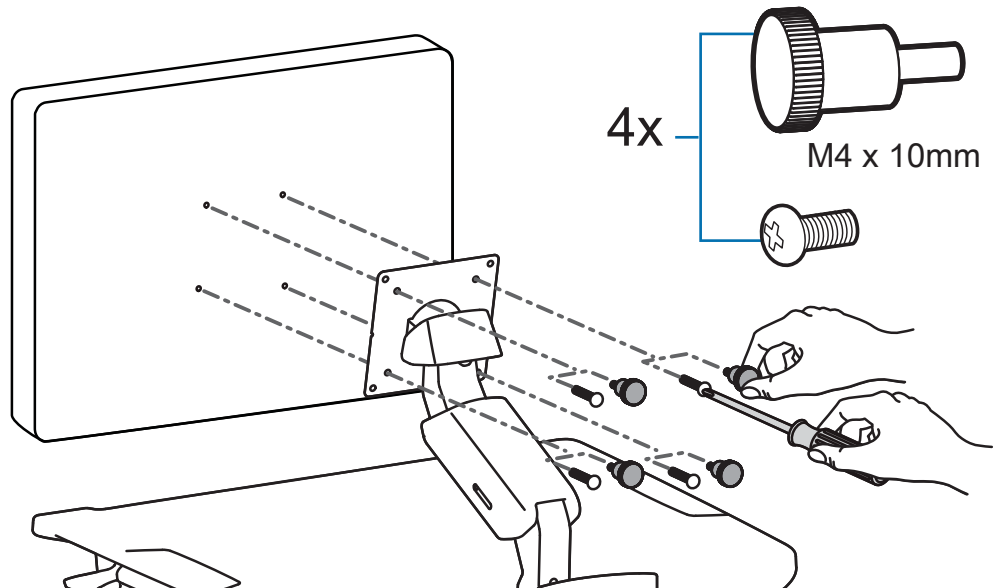




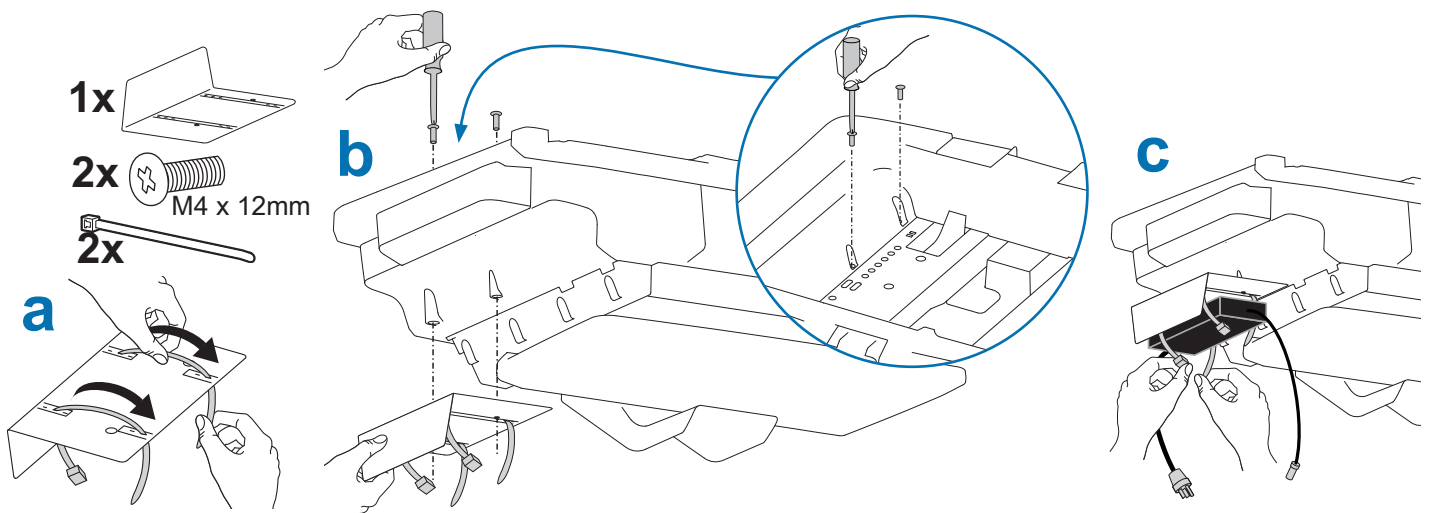
**b** 75x75mm / 100x100mm

**⚠ WARNING**  
**Impact Hazard!**  
 Moving Parts can Crush and Cut.  
 Raise monitor to top of vertical adjustment BEFORE removing.  
 Failure to heed this warning may result in serious personal injury or property damage!  
 826-504

**⚠ AVERTISSEMENT**  
**Danger d'impact!**  
 Les parties en mouvement peuvent écraser et couper. Élevez l'écran au plus haut de l'ajustement vertical AVANT de le retirer.  
 Il existe un risque de blessure corporelle ou d'endommagement matériel en cas de non respect de cet avertissement.  
 827-404



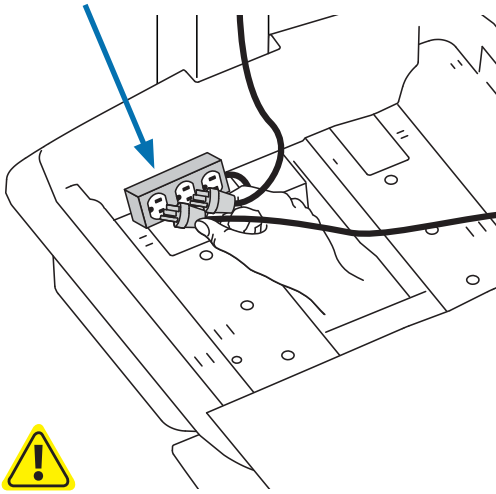
To increase space and improve airflow, power brick may be stored under the storage area.



## Set-up

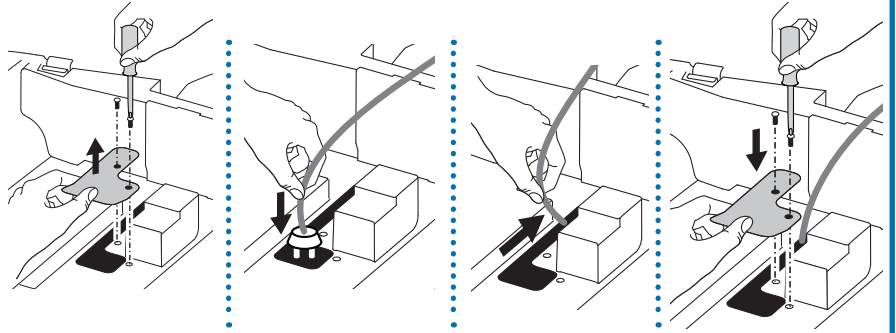
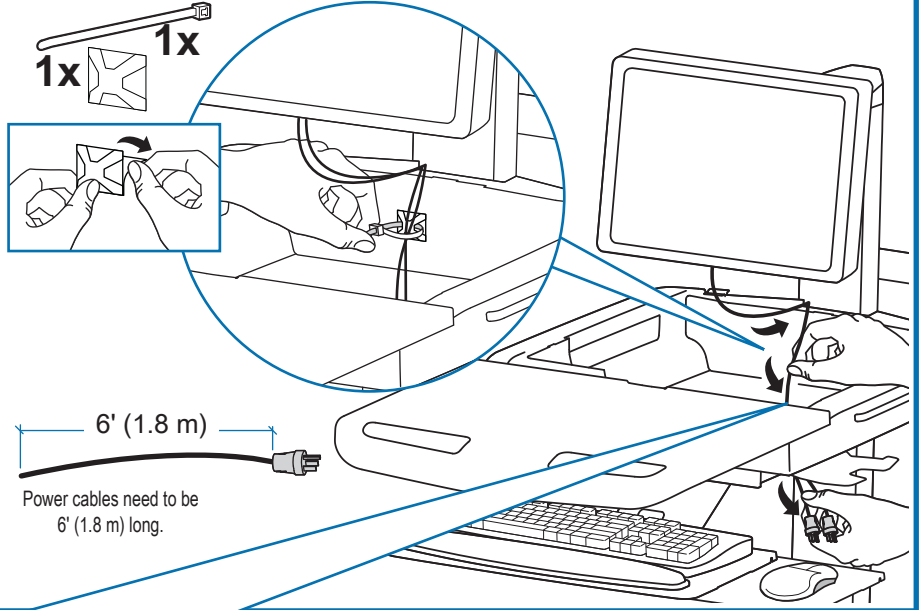
### 5 Plug in power cables.

If you do not have power outlets located here, then follow steps 'a' - 'd' to route power cables.



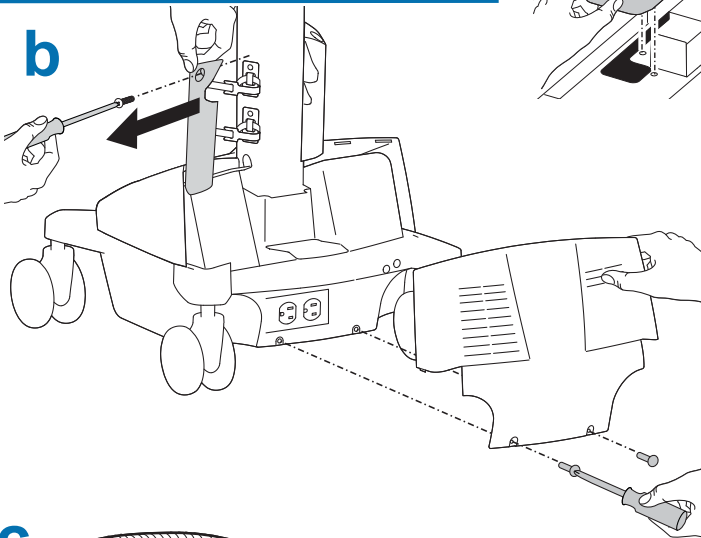
**WARNING!** Connecting electrical equipment to the outlet effectively leads to creating a medical system and the result can be a reduced level of safety.

### a Route power cable down along tower.

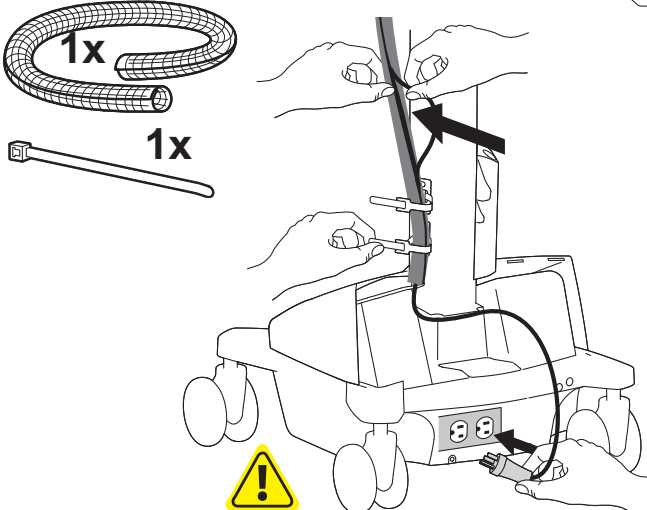


**WARNING! DO NOT OPERATE WITHOUT GUARD IN PLACE.** Only remove guard when routing a cable with a large connector through the bottom of the compartment. Replace guard immediately after routing cable. Failure to replace guard may result in equipment damage and or personal injury.

### b

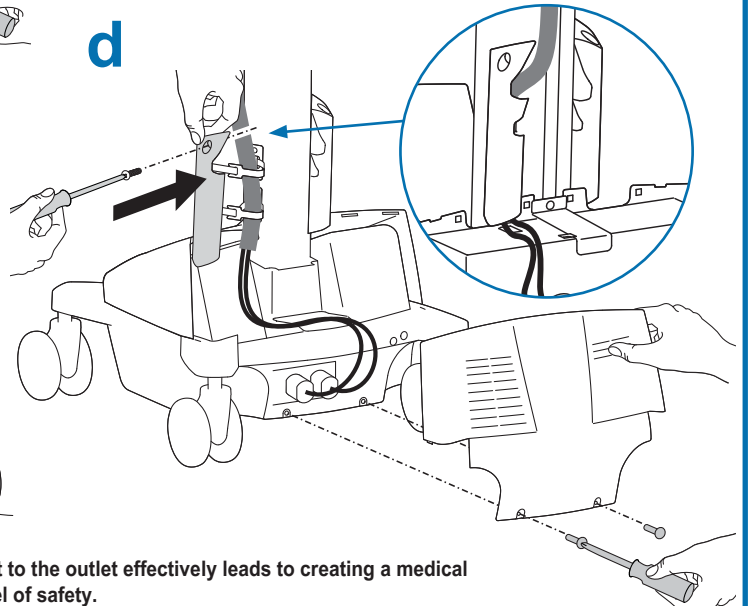


### c



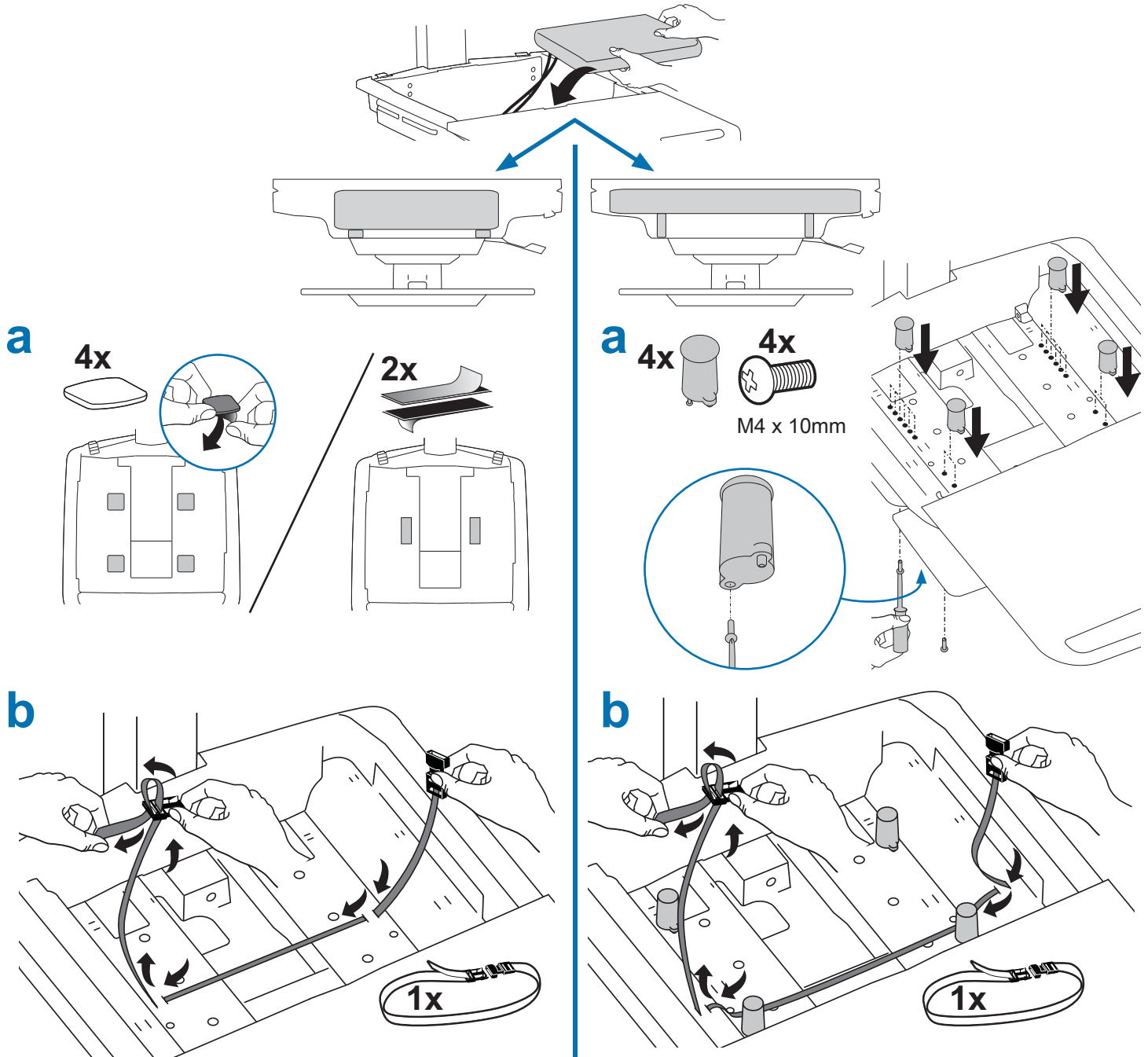
**WARNING!** Connecting electrical equipment to the outlet effectively leads to creating a medical system and the result can be a reduced level of safety.

### d

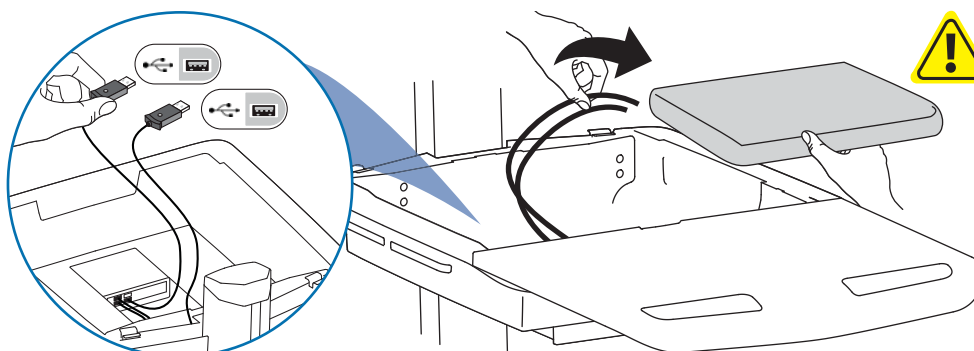


# 6

Place computer and AC power adaptors in compartment. Do not place power bricks near computer or compartment air vents.



- C** Plug the following factory connected cables into your computer.
- USB:** This cable runs from the USB Hub to your computer and uses your computer to power the USB Hub, Keyboard Lights and Fan. (NOTE: Your computer must be turned on for the USB Hub, Keyboard Lights and Fan to function).
  - Optional StyleLink:** This USB cable runs from the power system to your computer for StyleLink Software. For more info on StyleLink visit: <http://4support.ergotron.com>.

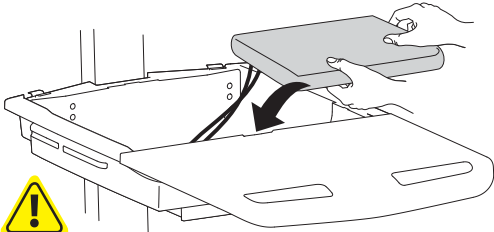


**WARNING:** Fan must always be running when computer is on. Operating computer without fan may lead to overheating, resulting in reduced equipment performance.



# Set-up

d



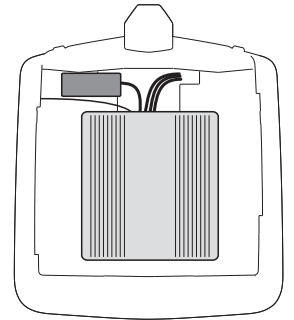
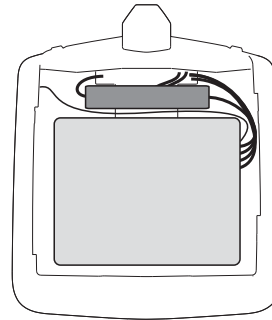
**DO NOT OBSTRUCT AIR VENTS!**  
Obstructing air vents may cause overheating and result in equipment damage.



Placement of CPU's in Secure Storage Area:

USFF (Ultra Small Form Factor)

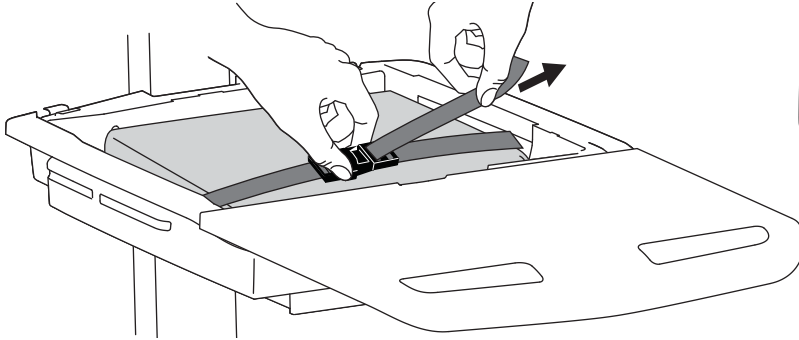
Thin Client



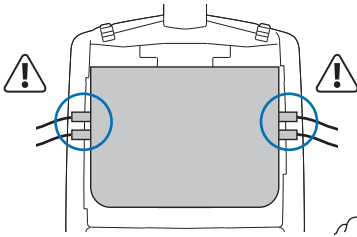
Center CPU in storage area.

To increase space and improve airflow, power brick may be stored under the storage area.

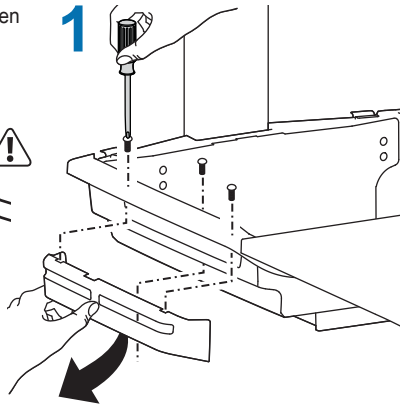
e



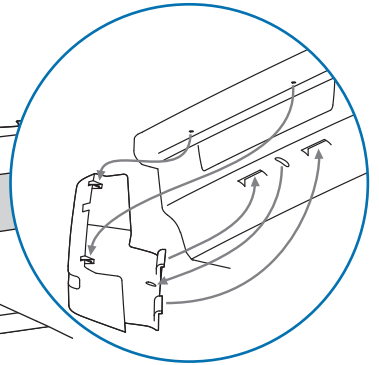
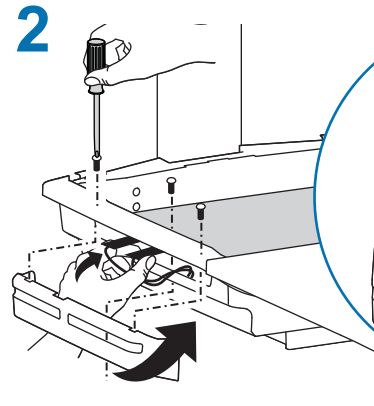
If computer with cables is too wide, then follow these instructions.



1



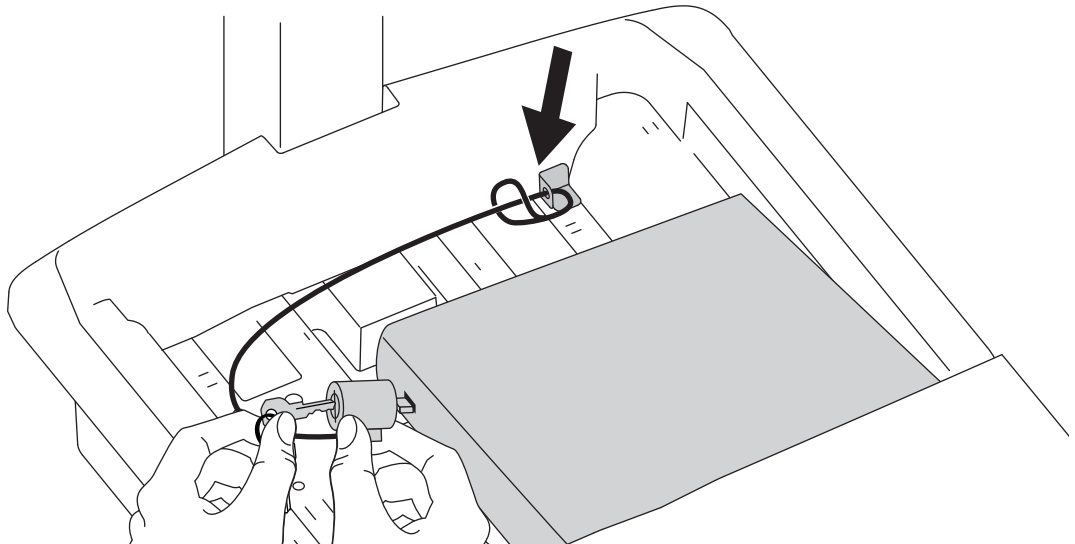
2



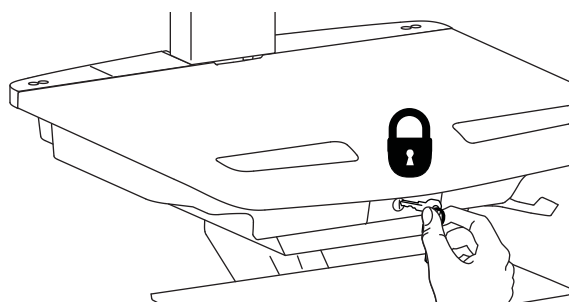
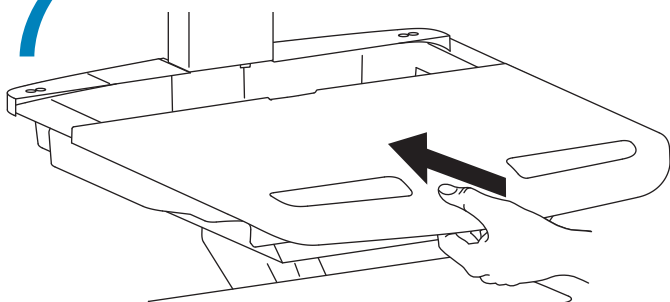
f



1x

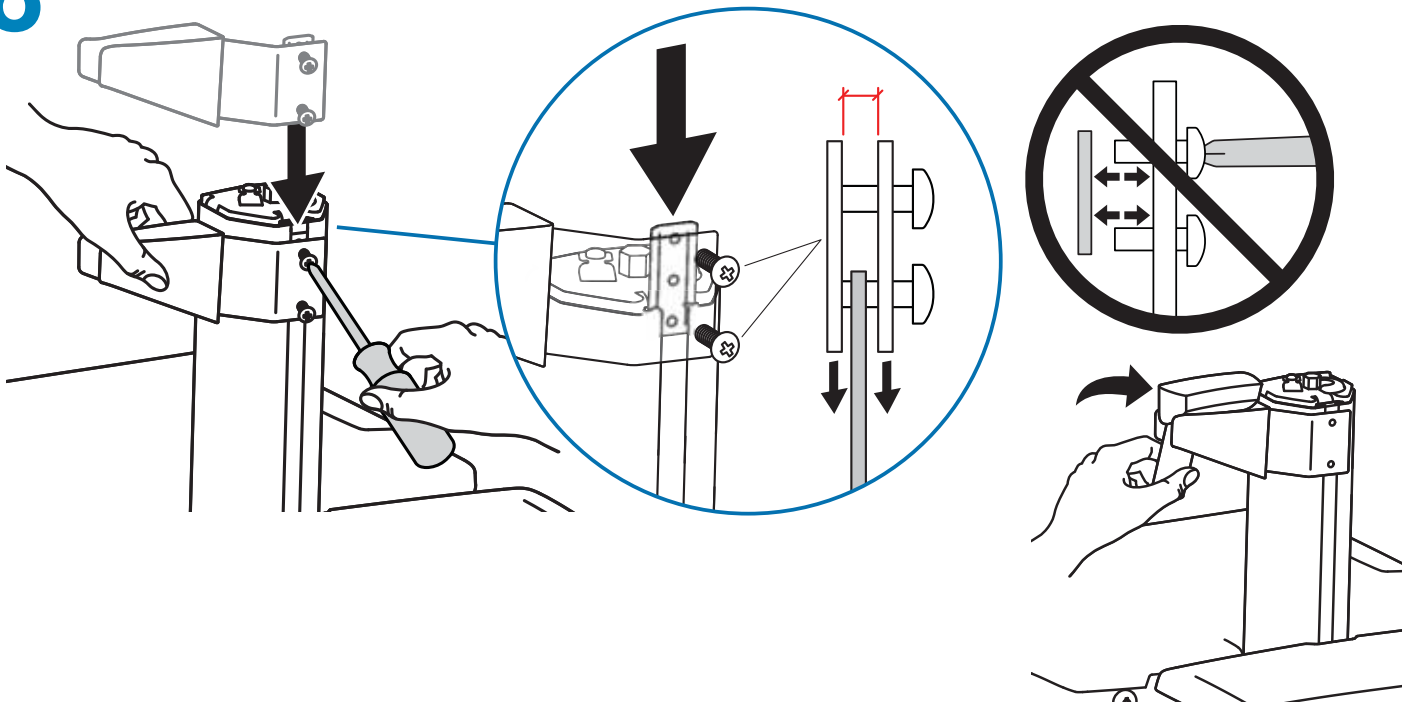


7

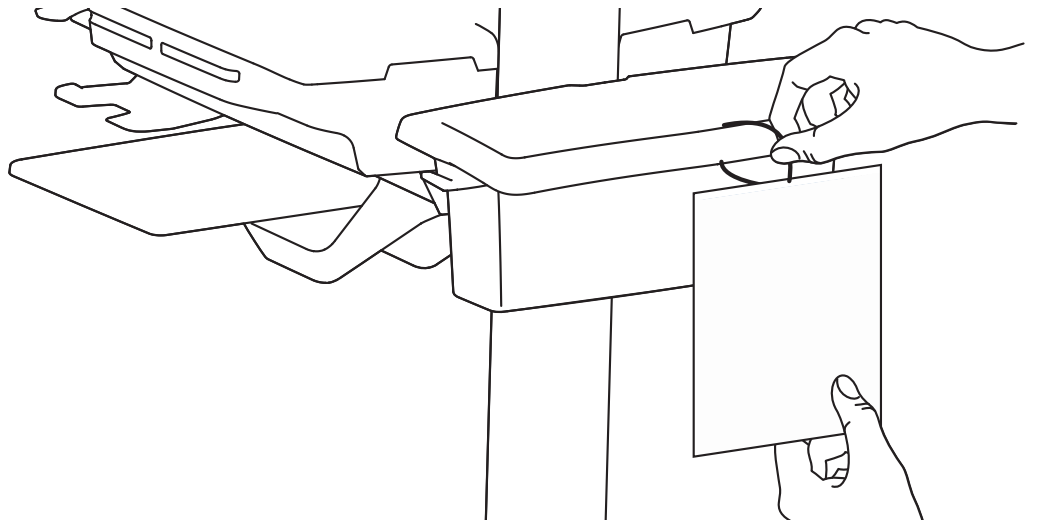
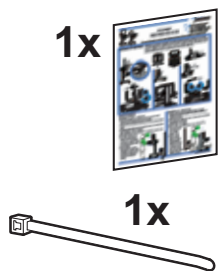


Set-up

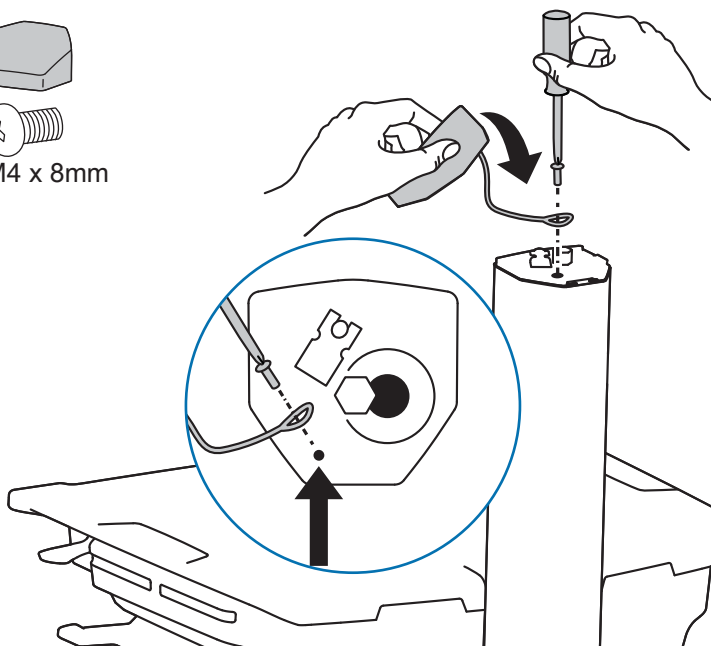
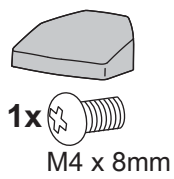
8



9



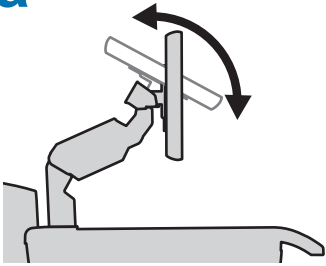
10



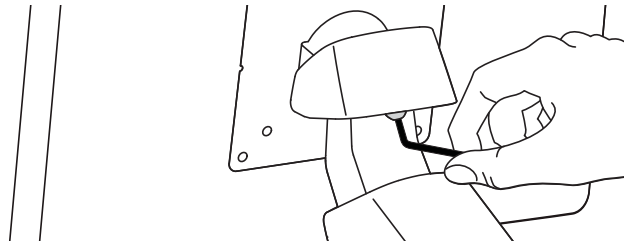
## Adjustment

# 11

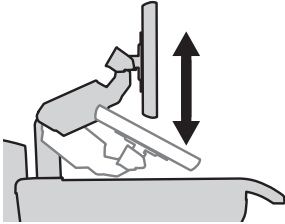
### a Tilt – Forward and Backward



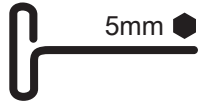
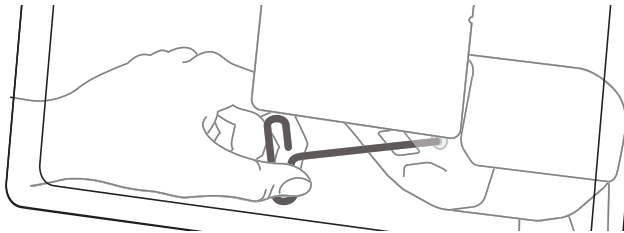
Follow these instructions to tighten or loosen tension.



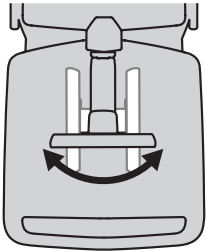
### b Lift – Up and down



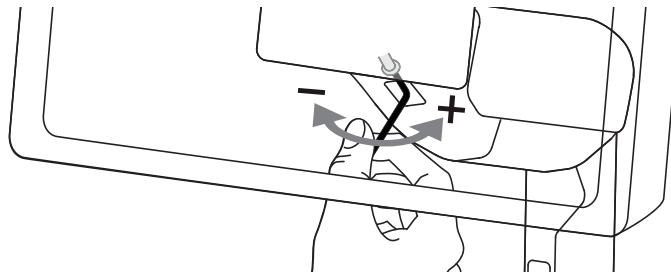
Follow these instructions to tighten or loosen tension.



### c Pan – Side-to-side

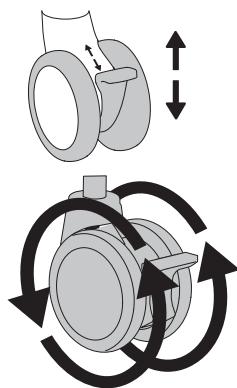
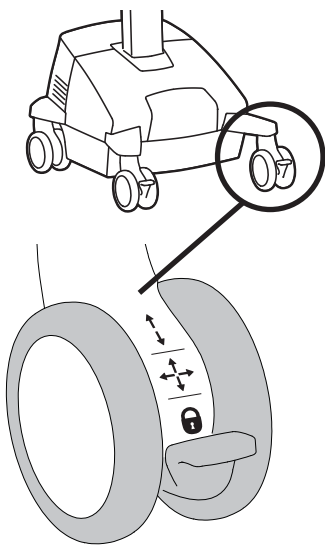


Follow these instructions to tighten or loosen tension.

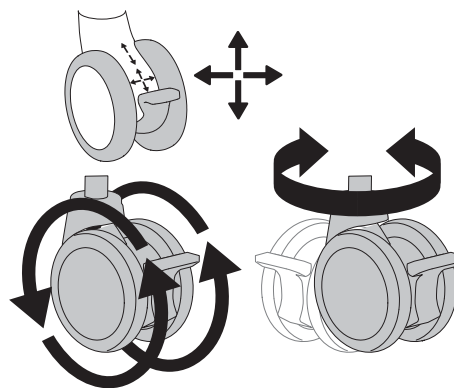


# 12

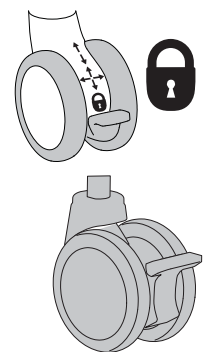
## 3 Function Caster



Wheel Rotation



Wheel Rotation and Swivel

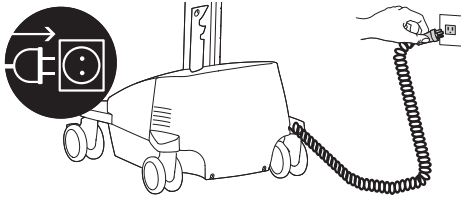


Locked

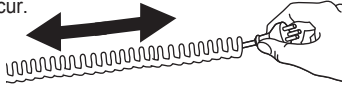
## Battery Charge/Discharge

# 13 Initial Power on/Charge Battery (takes approximately 2.5 hours to charge)

**a** Plug Cart's Power Cord into wall outlet.

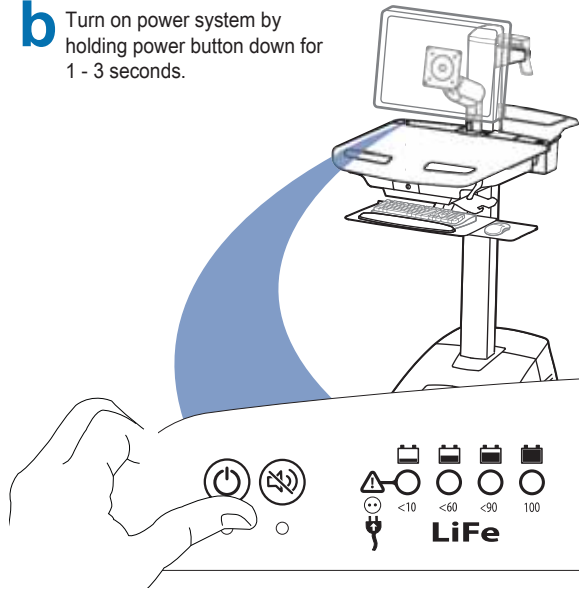


Do Not stretch coiled cord further than 8 feet (2.5 meters), damage to the cord may occur.



**CAUTION:** There is no on/off switch on this equipment; the AC power cord is the only power disconnect. The socket outlet should be easily accessible and should be installed near the equipment.

**b** Turn on power system by holding power button down for 1 - 3 seconds.



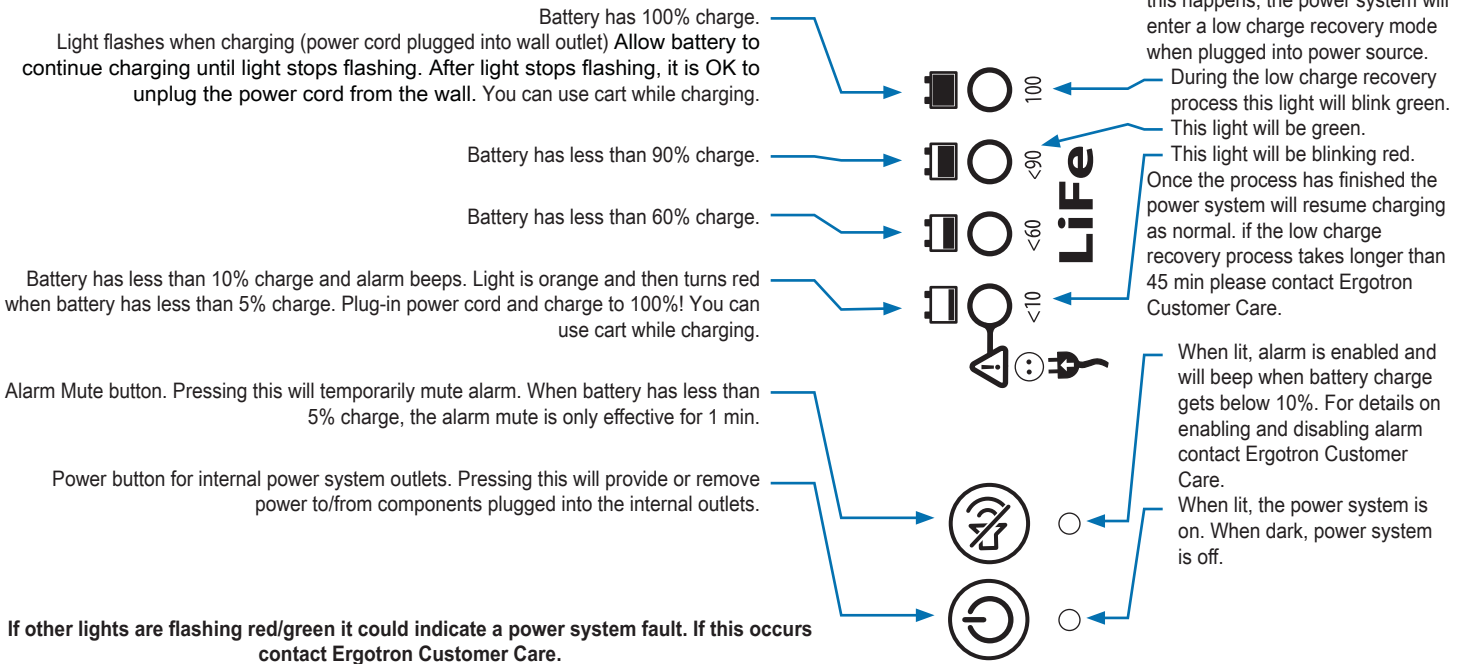
**c** With cart's power cord plugged into the wall outlet, wait until cart is at 100% charge. (takes approximately up to 2.5 hours to charge)



This power system interface will alert you to the percentage of charge remaining in the cart battery with a series of steady or flashing red, yellow or green lights, and an alarm that will beep when charge gets below 10%. Remember, the battery needs to be charged to 100% every day, and you can use the cart while charging, so plug-in cord as often as possible to avoid running out of power!

NOTE: Put monitor in power save mode to optimize battery run time.

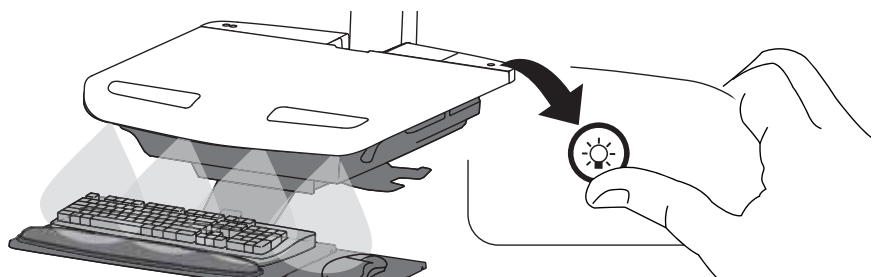
If the battery is stored too long without recharging, the electronics in the battery may cause the battery voltage to drop too low. If this happens, the power system will enter a low charge recovery mode when plugged into power source.



NOTE: Frequent operation of the cart while battery charge levels are below 10% may reduce the life of your battery.

# 14 Keyboard Light

1. Turn Computer on.
2. Test Keyboard Light. Keyboard Light will automatically turn off after 15 minutes if not manually turned off.

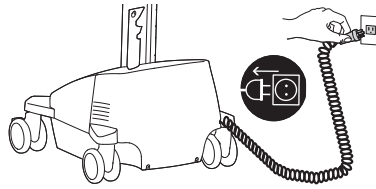


# How to Change Fuse

**1** Turn off all mounted equipment.



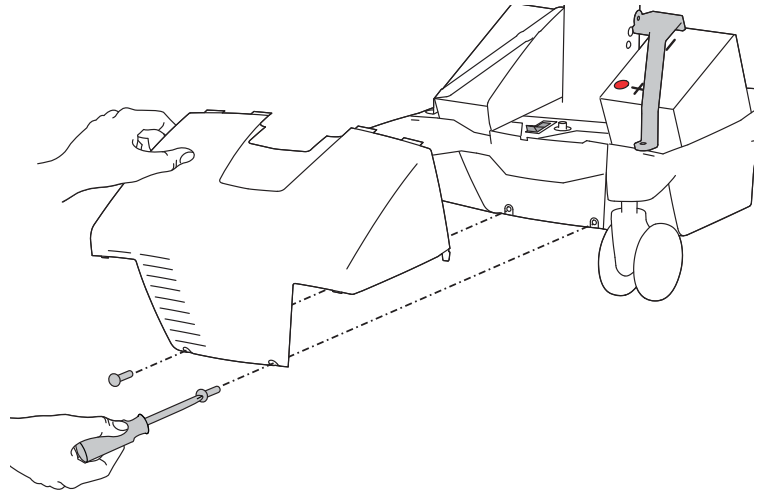
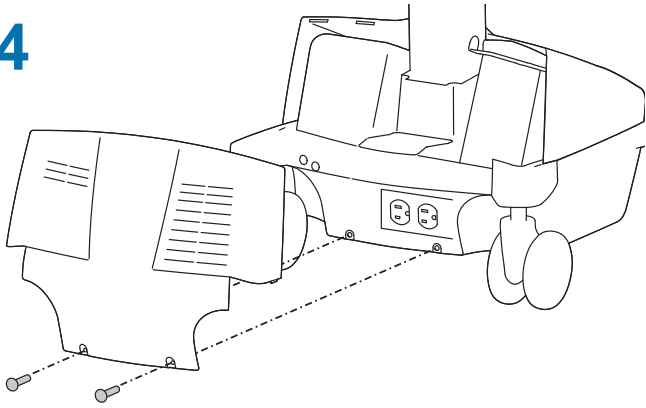
**2** Disconnect Power System from power source.



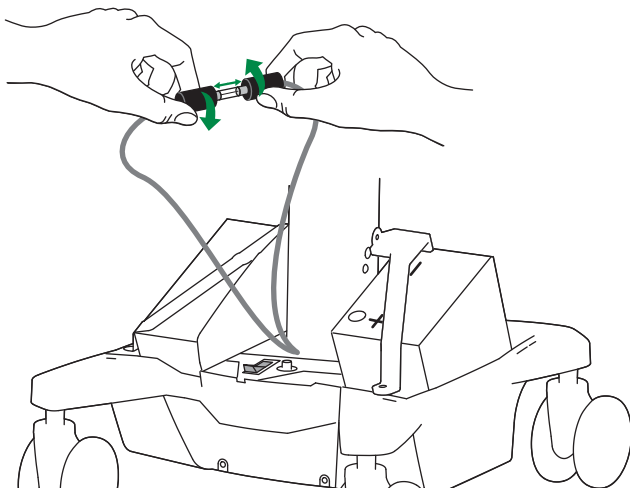
**3** Turn power system off by holding down the AC Outlet Power button for 1 - 3 seconds. Power light will shut off.



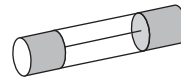
**4**



**5** 5 Amp Fuse

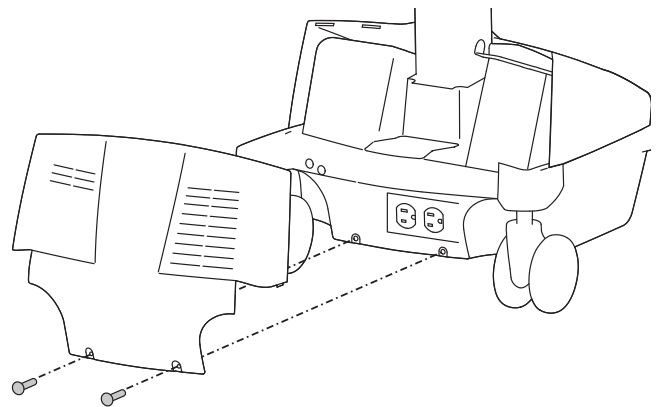
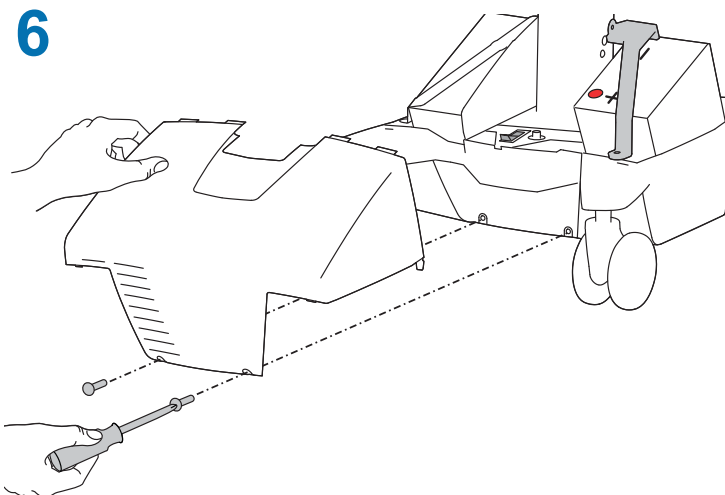


Recommended:  
Littelfuse 312005HXP



FUSE RATING	
VOLTAGE	250V
CURRENT	5A
OPERATING SPEED	FAST-ACTING
BREAKING CAPACITY	200A @ 250VAC 10000A @125VAC

**6**



# How to Change Power System Battery

## **⚠ WARNING: RISK OF ELECTRICAL DISCHARGE**

- Do NOT swap battery cables, doing so will cause arcing and trip the circuit breaker.
- Do not remove or replace the batteries while cart is located in an oxygen rich or hazardous environment, arcing may occur and cause combustion.
- Replace first battery before removing second battery to reduce the risk of cables touching terminals and causing arcing.

- Always replace both batteries!
- Replace first battery before removing second battery.
- Replace batteries with same Amp/Hour rating batteries only.
- Only Ergotron-specified batteries may be used in the StyleView Power System. Please call customer care for more details.
- Recycle battery or contact Ergotron for proper battery disposal guidelines.



## **⚠ WARNING/AVERTISSEMENT**

### BATTERY REPLACEMENT

Only the following lithium batteries are compatible with this system:

Lithium Werks U1-12RJ 1008896	Inventus U1-45 07-56179-401
Inventus U1-40 07-56178-001	Inventus U1-45 07-56179-501
Inventus U1-40 07-56178-101	ACE YL20015
Inventus U1-45 07-56179-101	

Installing batteries other than the battery listed above will void the product warranty and result in power system malfunction. Failure to heed this warning may result in severe damage to batteries, power module and possible fire hazard.

### REPLACEMENT DE LA BATTERIE

Seule la batterie suivante est compatible avec ce système :

Lithium Werks U1-12RJ 1008896	Inventus U1-45 07-56179-401
Inventus U1-40 07-56178-001	Inventus U1-45 07-56179-501
Inventus U1-40 07-56178-101	ACE YL20015
Inventus U1-45 07-56179-101	

L'installation de toute batterie autre que la batterie indiquée ci-dessus rendra nulle la garantie du produit et entraînera le dysfonctionnement du système d'alimentation. Si vous ne vous conformez pas à cette précaution d'utilisation, les batteries et le module d'alimentation risquent d'être sérieusement endommagés, ce qui pourrait provoquer un incendie.

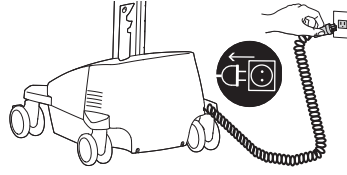
826-505

**⚠ WARNING:** The replacement of Lithium batteries by inadequately trained personnel could result in a hazard.

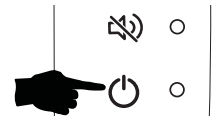
**1 a** Turn off all mounted equipment.



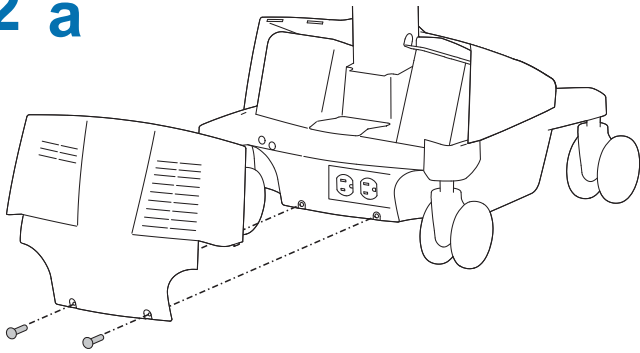
**b** Disconnect Power System from power source.



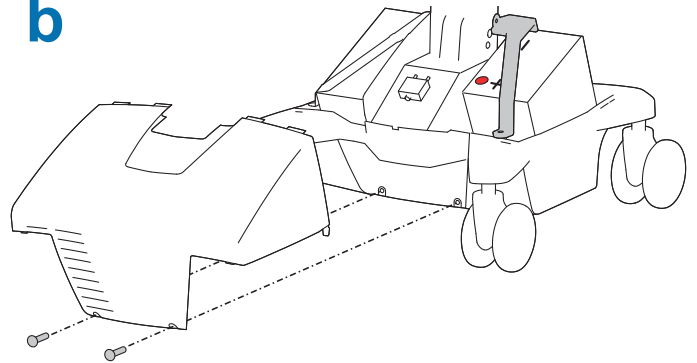
**c** Turn power system off by holding down the AC Outlet Power button for 1 - 3 seconds. Power light will shut off.



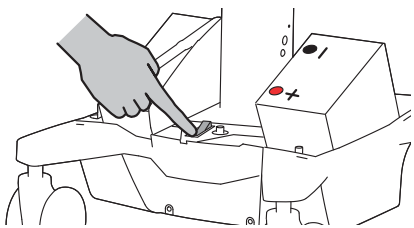
**2 a**



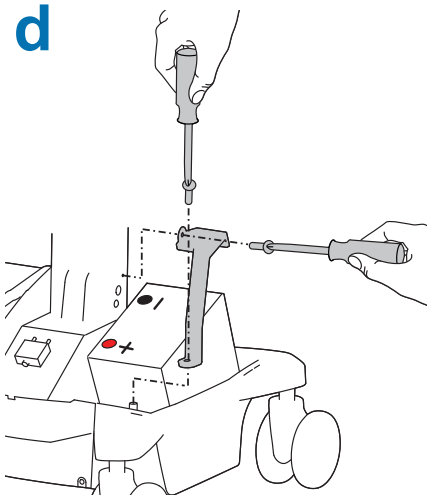
**b**



**c "OFF"**

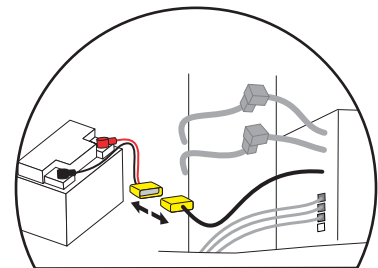
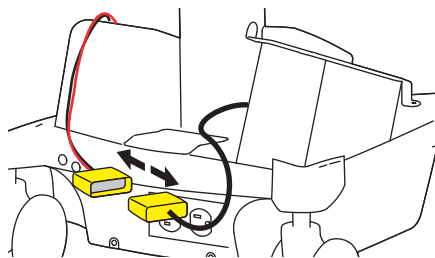


**d**

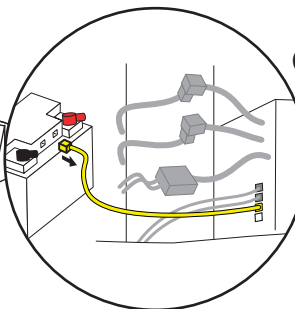
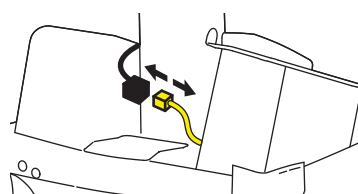


**3** Disconnect cables

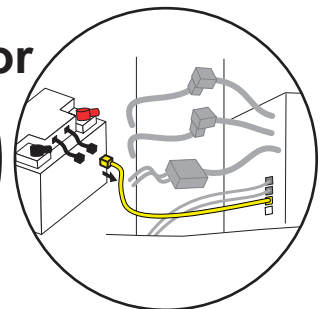
Battery Harness



Battery "Yellow" Comm 3

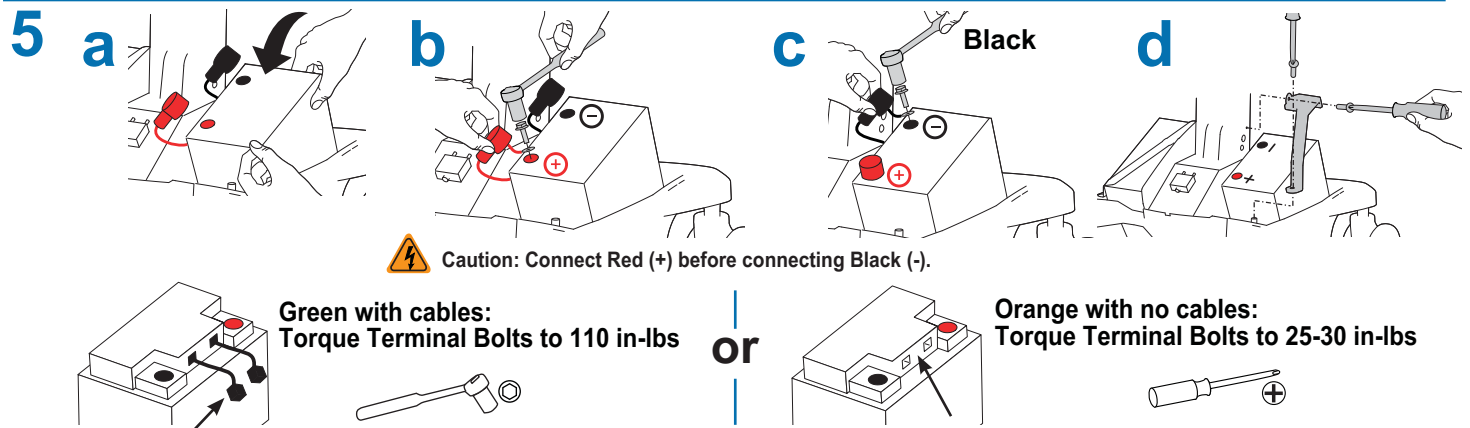
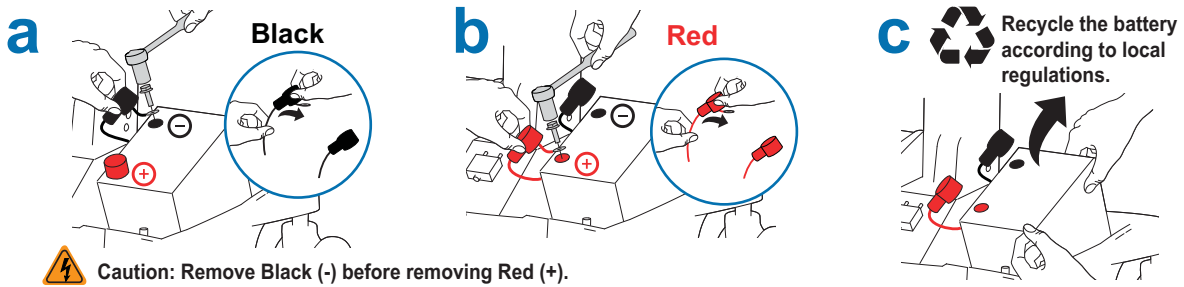


or



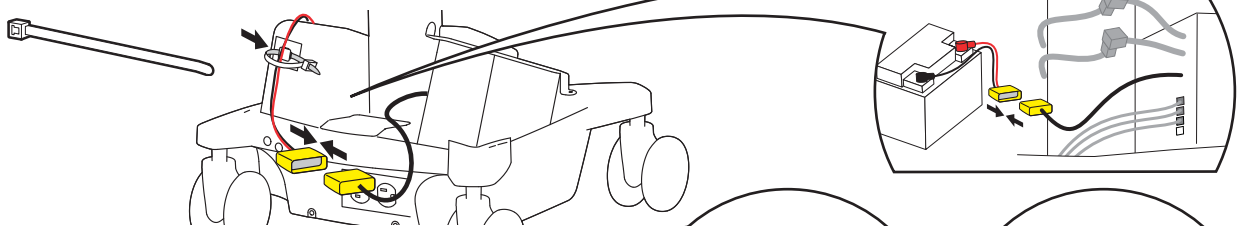
# How to Change Power System Battery

**4** ⚠️ Caution: Do NOT swap battery cables, doing so will cause sparking and trip the circuit breaker.

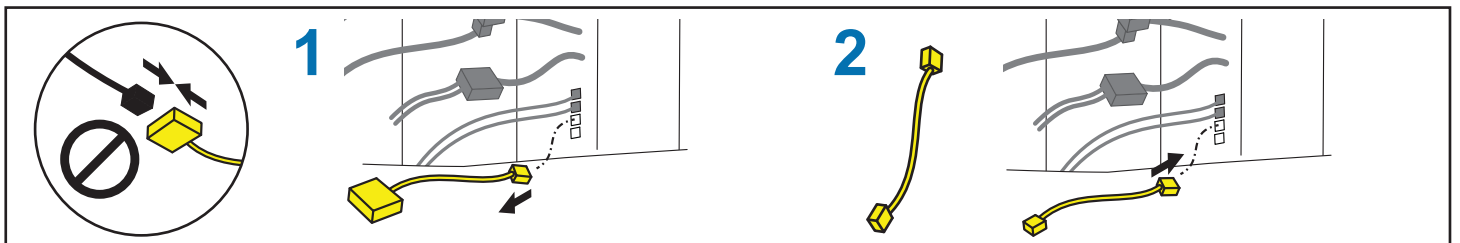
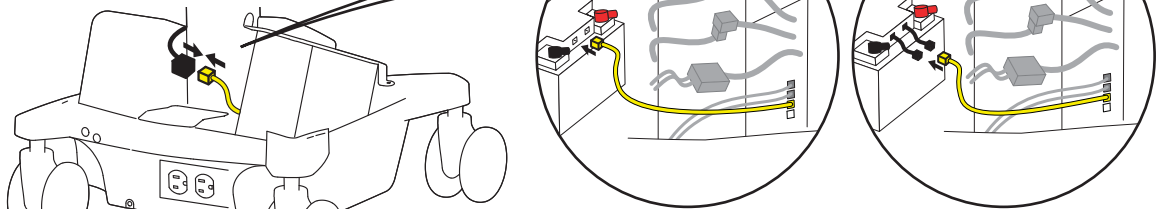


## 6 PLUG BATTERY HARNESS IN FIRST!

**a** Battery Harness

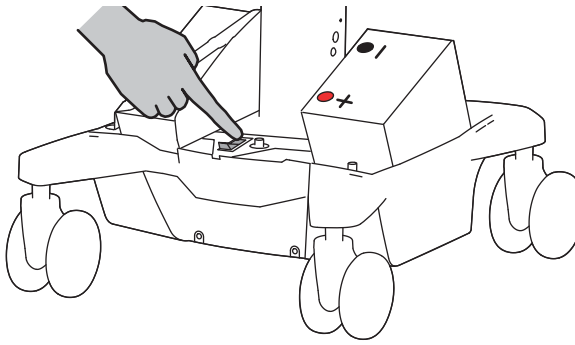


**b** Battery "Yellow" Comm 3

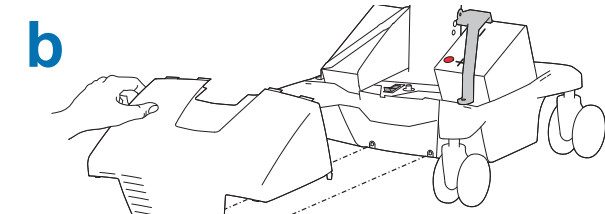


## How to Change Power System Battery

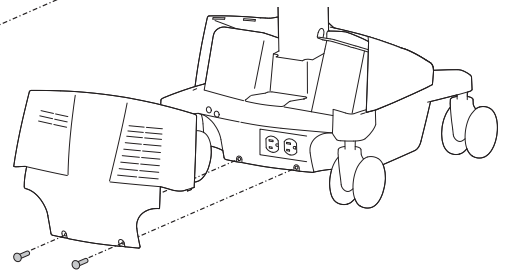
### 7 a "RESET"



b



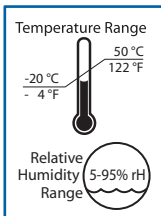
c



### 8 Follow Battery Charge/Discharge Initial Power on steps a, b, c.

## Cart Storage Instructions

**Storage** - The battery needs to be fully charged before storing and the battery must be recharged a minimum of every 90 days.



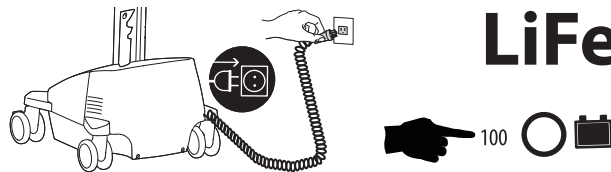
• The recommended cart storage temperature is 25°C (77°F). At this temperature, the battery's age-related capacity loss is minimized. The minimum storage temperature is -20°C (-4°F) and the maximum storage temperature is 50°C (122°F). The recommended humidity range for storage is 5-95% rH.

#### Storage

- 1 Turn off all mounted equipment.



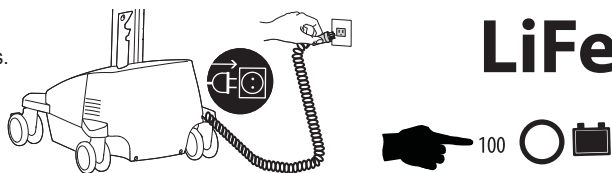
- 2 Plug power cord into appropriate wall outlet to fully charge battery to 100% (all indicator lights will be illuminated). Power system must be fully charged before storing!



- 3 Once battery has been charged to 100%, turn power system off.  
Turn power system off by holding down the AC Outlet Power button for 1 - 3 seconds. Power light will shut off.



- 4 Recharge battery a minimum of every 90 days.



#### ⚠ NOTICE:

Warranty on fully charged batteries left in an unused state for more than three (3) consecutive months is automatically void.  
Warranty on fully discharged batteries left in an unused state for more than three (3) consecutive days is automatically void.

If the battery is stored too long without recharging, the electronics in the battery may cause the battery voltage to drop to an unsafe level. If this happens, the power system will enter a low charge recovery mode when plugged into power source. Once the process has finished the power system will resume charging as normal. If the low charge recovery process takes longer than 45 min please contact Ergotron Customer Care.

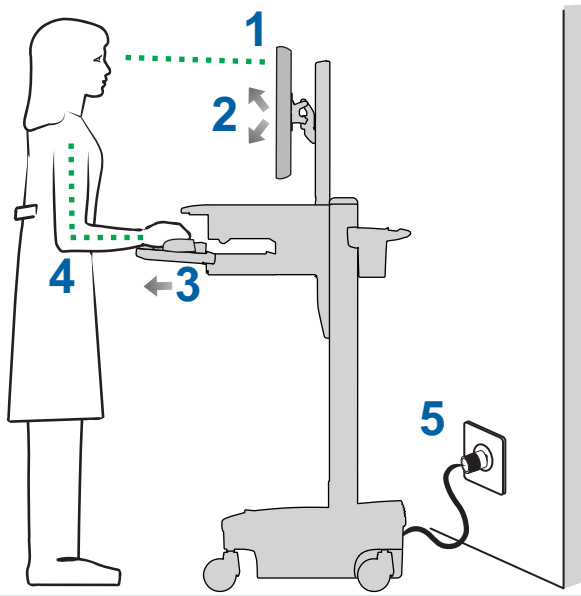


# Ergonomics

## Working

customize - to your size

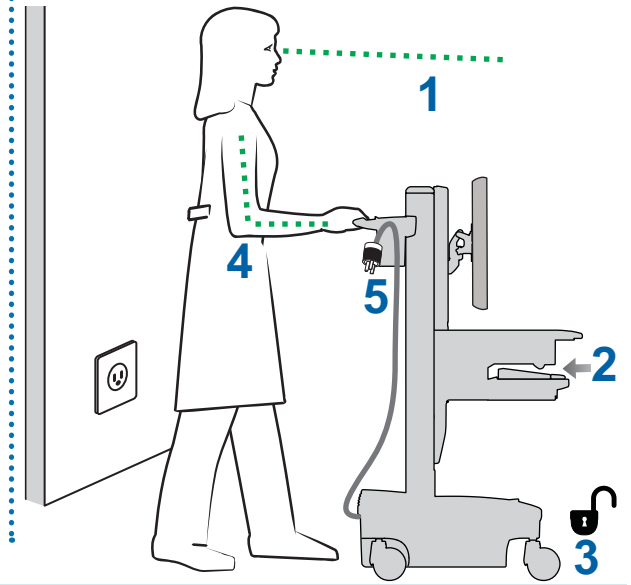
- 1 Set top of monitor screen about one inch below eye level - Lift or lower riser as needed.
- 2 Tilt screen for comfortable viewing and to reduce eye and neck strain.
- 3 Pull keyboard tray forward and position mouse tray on right or left, as needed.
- 4 Work with elbows bent at about 90° to minimize muscle strain.
- 5 If the riser moves up and down with difficulty, or if it drifts out of set position, consult the product manual for adjustment information.
- 6 Stay in charge!  
Powered carts should be plugged into outlet as often as possible to keep battery charged and computer running.



## Moving

stow - before you go

- 1 During normal movement, Lower worksurface to lowest position for optimal stability and unobstructed view.
- 2 Tuck away open trays and return mouse, scanner and other accessories to their places. Clear worksurface
- 3 Unlock both front casters.
- 4 Push cart from rear with elbows bent at about 90° to maximize control and minimize muscle strain.
- 5 Don't run out!  
Before moving, make sure cord is unplugged from outlet and hooked to basket for safe travel. Remember, charge battery fully 100% every day!



# Maintenance & Safety

## Hazard Symbols Review

The Meaning of Symbols appearing in this Guide, on the Cart or on the Power System  
These symbols alert you to a safety condition that demands your attention. You should be able to recognize and understand the significance of the following Safety Hazards if you encounter them on the Cart or within Cart documentation such as this Set-up Guide.



Symbol	Signal Word/ Color	Level of Hazard
	<b>DANGER</b>	Indicates an imminently hazardous situation which, if not avoided, will result in death or serious injury.
	<b>WARNING</b>	Indicates a potentially hazardous situation which, if not avoided, could result in death or serious injury.
	<b>CAUTION</b>	Indicates a potentially hazardous situation which, if not avoided, may result in minor or moderate injury.
	<b>CAUTION</b>	Used without the safety alert symbol indicates a potentially hazardous situation which, if not avoided, may result in property damage.
	<b>INSTRUCTIONS</b>	Follow operating instructions.
	<b>INSTRUCTIONS</b>	Follow operating instructions.
	<b>POWER</b>	"ON" / "OFF" (push-push) NOTE: Each position "ON" / "OFF" is a stable position.


## EQUIPMENT & ACCESSORIES DISPOSAL


1. Please dispose of all batteries in accordance with local law
2. All Electronics should be recycled through an electronics recycler.
3. Remaining plastics and metals can be recycled through a commercial recycler.


## Maintenance & Safety

### Cleaning and Maintenance

The following procedures are not guaranteed to control infection. The hospital infection control administrator or epidemiologist should be consulted regarding cleaning procedures and processes.


 To avoid risk of electric shock, do not expose electrical components to water, cleaning solutions or other potentially corrosive liquids or substances.


 Do not immerse Cart or Cart components in liquid or allow liquids to flow into the Cart. Wipe all cleaners off surface immediately using a damp cloth. Thoroughly dry surface after cleaning.


 Do not use flammable cleaners on Cart surfaces due to close proximity of electrical power and equipment.


All paints and plastic Cart components will withstand cleaning by most commonly used, diluted, non-abrasive solutions such as quaternary ammonia compounds, ammonia enzyme cleaners, bleach or alcohol solutions.


- Pen and permanent and dry erase markers can be removed with 91% isopropyl alcohol and a soft cloth.
  - Iodine stains can be removed with commonly used cleaners and a soft cloth.
  - Never use steel wool or other abrasive materials that will damage the surface finish.
  - Do not use strong solvents such as trichloroethylene and acetone. These solvents will damage the surface finish.
- It is recommended that any cleaning solution be tested on a small, inconspicuous area to ensure surface is not harmed.

 Adjustment, Service, Replacement - DO NOT attempt to adjust, service or replace any part of the StyleView Cart unless directed to do so through Ergotron-approved documentation (i.e. installation instructions). Only Ergotron, Inc. or an Ergotron-certified entity may adjust, service or replace StyleView Cart components. If any component on the Cart is missing or damaged, the Cart must not be used, contact Ergotron Customer Care immediately to request a replacement part.

 Cables - Keep cables neatly organized on the Cart (a variety of solutions are provided with your cart for this purpose). Excess cables should be routed away from moving components with cable clips. Review Cable Routing section of this guide, or contact Ergotron Customer Care for more information.

 Casters - Check casters periodically to make sure they are clean and free of debris that would prevent smooth travel. Avoid moving Cart across uneven, dirty or damaged surfaces.

 Customer Equipment- Make sure equipment is balanced and mounted securely to Cart. Do not reposition Cart components on riser or tower unless instructed to do so in the installation instructions. Moving Cart components too high or too low on the Riser may create an unstable condition, leading to equipment damage or even personal injury. Contact Ergotron Customer Care for information about moving Cart components.

 WARNING: In rare cases, if the power system and battery protection features fail, the battery may become overcharged and in some instances it may become extremely hot, possibly melting the plastics and releasing smoke. If a battery begins to smoke or melt:

- Unplug the cart, or if possible disconnect the battery from the power system immediately.
- Move the cart to a well ventilated area.
- Use a Carbon Dioxide, Dry Chemical or appropriate foam fire extinguisher to spray the hot battery.

If a fire extinguisher is not available, use copious amounts of water, or cover the battery with sand.

If exposed to battery contents seek immediate medical attention and follow the below guidelines.

Exposure to vapor released from the battery is irritating to the eyes, skin, mucous membranes and respiratory tract. This may cause nausea, dizziness and headache.

In case of direct contact to the battery's electrolyte:


- Immediately flush eyes with water for at least 15 minutes.
- Thoroughly rinse hands and other affected areas with water.
- Promptly remove and wash any contaminated clothing.

In All Cases, Seek Immediate Medical Attention!

## Safety Alerts Associated with this Product


The following Warnings/Cautions appear in this reference guide or on the cart:


NOTE: Failure to adhere to these guidelines may result in equipment damage or personal injury.

 CAUTION: DO NOT load riser with equipment totaling more than the maximum weight capacity specified by Ergotron.

 CAUTION: Do not operate StyleView Cart with missing or damaged components! Do not remove, modify or substitute Cart components without consulting Ergotron. If you encounter problems with Cart installation or operation, contact Ergotron Customer Care.


 CAUTION: DO NOT overtighten fasteners. Overtightening may cause damage to your equipment.

 CAUTION: DO NOT loosen, tighten or remove any other nuts or bolts on the riser or top of tower. Tampering with nuts or bolts may result in an unstable Cart, leading to equipment damage and/or personal injury.

 CAUTION: Avoid obstacles when raising or lowering the cart.

 WARNING: In the event that repair of the StyleView Cart is needed, contact Ergotron Customer Care immediately. Cart repair can only be performed by Ergotron, Inc. or by an Ergotron authorized agent.


 WARNING: This cart is not intended for use in a flammable, anesthetic mixture or oxygen rich environment.


 WARNING: In the event that the worksurface contacts an obstacle while lowering and the base is lifted off the ground, the cart can become unstable and may tip causing product damage and/or personal injury.

## Configuration & Safety

 Additional multiple socket-outlet or extension cord shall not be connected to the medical system.

 When used in a Medical Electrical system, connect only equipment that complies with IEC, ISO, UL/ANSI, or CSA standards that are relevant to that equipment.

 Risk of shock or personal injury when connecting non-medical equipment supplied as part of a system directly to the wall outlet when non-medical equipment is intended to be supplied by the multiple socket outlet.

 Risk of shock or personal injury when connecting any equipment that has not been supplied as part of the medical system to the multiple socket outlet.

# Maintenance & Safety

Recommended Periodic Inspection and Maintenance			
Component	Action	How often	By whom
UI, Ethernet, USB cables	Inspect for wear, pinching, bad connectors	Monthly	Any user
Fan on side of CPU compartment	Inspect for dust at intake, vacuum as required using a vacuum cleaner that DOES NOT generate ESD (Electrostatic Discharge)	Monthly	Any user
Casters	Inspect for wear and debris	Monthly	Any user
Maximum Load	Inspect to ensure that maximum recommended loads are not exceeded	Daily	Any user
Power System batteries	Replace lithium battery <sup>1,2</sup>	When battery runtime is 60% of original runtime	IT Personnel
Power Module	Inspect for dust at intake, vacuum as required using a vacuum cleaner that DOES NOT generate ESD (Electrostatic Discharge)	Monthly	IT Personnel
Battery harness	Inspect for wear, cracking, pinching, or other damage	Monthly	IT Personnel
Coiled Cord	Inspect for wear, damage, or stretching	Weekly	Any user

1. Please dispose of all batteries in accordance with local law.  
2. Always replace battery with approved battery.

**Earth Bond Test:** To ensure safety grounding between the power cord ground connection and any accessible metal parts on the cart, although not mandatory, the following test is recommended to be performed every two years using a calibrated medical device safety analyzer. The procedure is as follows:

1. Disconnect the cart from mains power (unplug cart from the wall).
2. Remove power from internal power system outlets by pressing the power button on the Power System Interface.
3. Set up Earth Bond Test per the medical device safety analyzer instructions.
4. Connect the Cart power cord to the medical device safety analyzer.
5. Remove cover to access Lift Tension Adjustment point.
6. Attach second medical safety device analyzer probe to Lift Tension Adjustment point on Cart.
7. Perform Test (25 amps).
8. Ensure Earth Bond is less than or equal to 0.2-ohms.
9. Remove medical device safety analyzer connections to Cart, replace cover over Lift Tension Adjustment point, return the Cart to service.

**Insulation Resistance Test:** To ensure mains power lines are adequately insulated from earth ground, the following test, although not mandatory, is recommended to be performed annually using a calibrated medical device safety analyzer. The procedure is as follows:

1. Disconnect the cart from mains power (unplug cart from the wall).
2. Remove power from internal power system outlets by pressing the power button on the Power System Interface.
3. Set up the Insulation Resistance Test per the medical device safety analyzer instructions.
4. Connect the Cart power cord to the medical device safety analyzer.
5. Perform test (500 V).
6. Ensure Insulation Resistance is greater than or equal to 1 Mohms.
7. Remove medical device safety analyzer connections to Cart and return Cart to service.

**⚠ DANGER!**

**ELECTRICAL CORDS CAN BE HAZARDOUS**  
Misuse Can Result in FIRE or DEATH by ELECTRICAL SHOCK.

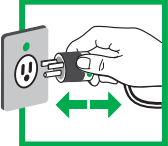


**LES CORDONS ELECTRIQUES PEUVENT ETRE DANGEREUX**  
Une mauvaise utilisation peut provoquer un INCENDIE ou la MORT par CHOC ELECTRIQUE.

820-672 Please Read and Follow Product Manual Instructions.

**THIS IS A POLARIZED CORD - HOSPITAL GRADE ONLY**

NOTE: Grounding Reliability Can Only Be Achieved When the Equipment Is Connected To An Equivalent Receptacle Marked "HOSPITAL ONLY" Or "HOSPITAL GRADE"

820-672

- Inspect Cord Thoroughly Before Each Use. DO NOT USE IF DAMAGED.
- Do Not Plug More Than SPECIFIED NUMBER OF WATTS Into Power System.
- Do Not Run Cord Through Doorways, Holes in Ceilings, Walls or Floors.
- FULLY INSERT Plug Into Outlet.
- Do Not Remove, Bend or Modify Any Metal Prongs or Pins of Cord.
- Do Not Use Excessive Force to Make Connections.
- Keep Away From Water. DO NOT USE WHEN WET.
- Keep Children Away From Cord.
- Do Not Plug Cord into An Extension Cord.
- AVOID OVERHEATING. Uncoil Cord and Do Not Cover It With Any Material.
- Do Not Drive, Drag or Place Objects Over Cord. Do Not Walk On Cord.
- GRASP PLUG to REMOVE FROM Outlet. Do Not Unplug By Pulling On Cord.

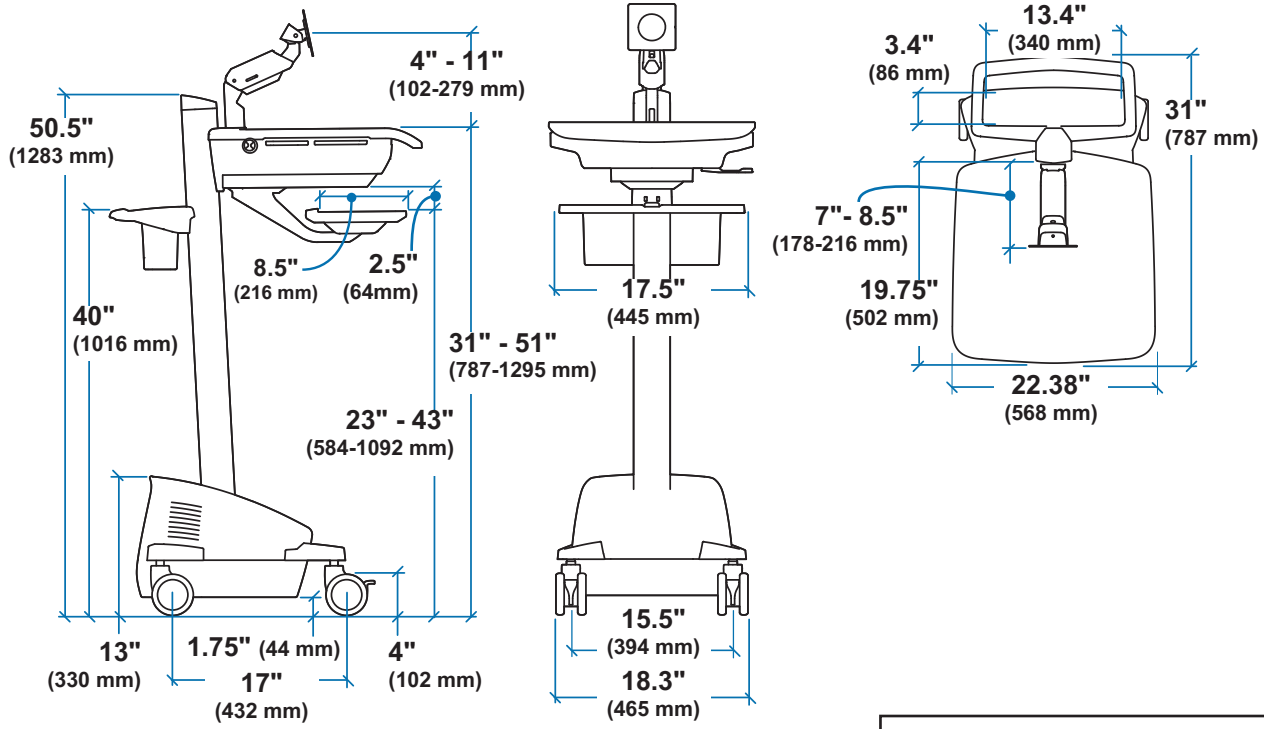
# Maintenance & Safety

## Ergotron Electromagnetic Guidance and Manufacturer's Declaration

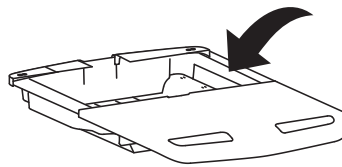
Guidance and Manufacturer's Declaration – Electromagnetic Emissions		
The Powered Computer Cart is intended for use in the electromagnetic environment specified below. The customer or the user of the Powered Computer Cart should assure that it is used in such an environment.		
Emissions Test	Compliance	Electromagnetic environment – guidance
RF Emissions CISPR 11	Group 1	The Powered Computer Cart uses RF energy only for its internal function. Therefore, its RF emissions are very low and unlikely to cause any interference in nearby electronic equipment.
RF Emissions CISPR 11	Class A	The Powered Computer Cart is suitable for use in all establishments other than domestic and those directly connected to the public low-voltage power supply network that supplies buildings used for domestic purposes.
Harmonic Emissions IEC 61000-3-2	Class A	
Voltage fluctuations/ flicker emissions IEC 61000-3-3	Complies	

Guidance and Manufacturer's Declaration – Electromagnetic Immunity			
The Powered Computer Cart is intended for use in the electromagnetic environment specified below. The customer or the user of the Powered Computer Cart should assure that it is used in such an environment.			
Immunity Test	IEC 60601 Test Level	Compliance Level	Electromagnetic environment - guidance
Electrostatic Discharge (ESD) IEC 61000-4-2	±8 kV contact ±15 kV air	Complies	Floors should be wood, concrete, or ceramic tile. If floors are covered with synthetic material, the relative humidity should be at least 30%
Radiated RF EM fields IEC 61000-4-3	3 V/m 80 MHz - 2.7 GHz 80% AM at 1 kHz	Complies	Radiated Electromagnetic Fields from nearby electrical equipment, Wireless transmitters, and cellular equipment should be that of a typical commercial or hospital environment.
Proximity fields from RF wireless communications equipment IEC 61000-4-3	9 V/m to 28V/m 380MHz to 5800MHz Ref. IEC60601-1-2 clause 8.10 for specific test frequencies	Complies	Radiated Electromagnetic Fields from nearby electrical equipment, Wireless transmitters, and cellular equipment should be that of a typical commercial or hospital environment.
Electrical Fast Transient/Burst IEC 61000-4-4	±2 kV for power supply lines	Complies	Mains power quality should be that of a typical commercial or hospital environment.
Surge IEC 61000-4-5	±1 kV differential mode ±2 kV common mode	Complies	Mains power quality should be that of a typical commercial or hospital environment
Conducted disturbances induced by RF fields <sup>c) d) e)</sup> IEC 61000-4-6	3 V 0.15 MHz - 80 MHz 6 V in ISM bands between 0.15 MHz and 80 MHz 80% AM at 1 kHz	Complies	Mains power quality should be that of a typical commercial or hospital environment
Voltage Dips, short interruptions, and voltage variations on power supply input lines IEC 61000-4-11	0% $U_T$ ; 0.5 cycle at 0°, 45°, 90°, 135°, 180°, 225°, 270°, 315°	Complies	Mains power quality should be that of a typical commercial or hospital environment.
	0% $U_T$ ; 1 cycle and 70% $U_T$ ; 25 cycles Single pase: at 0°		
	0% $U_T$ ; 250 cycles		
Power Frequency (50/60 Hz) Magnetic Field IEC 61000-4-8	30 A/m	Complies	Power frequency magnetic fields should be at levels characteristic of a typical location in a typical commercial or hospital environment.
Note: $U_T$ is the AC mains voltage prior to application of the test level			

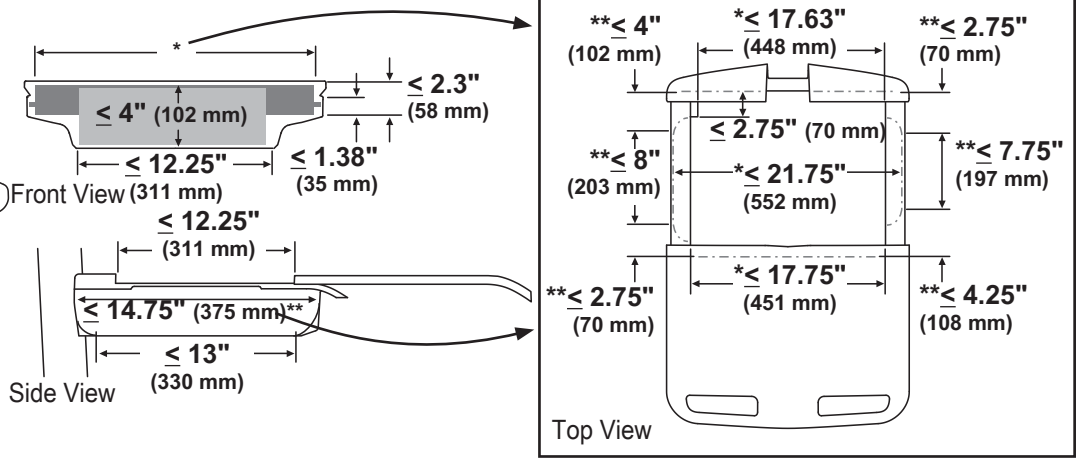
# Dimensions



## CPU Compartment



When figuring dimensions, include mounted accessories, protruding cables and port replicators or docking stations.



## Trouble Shooting

PROBLEM	SOLUTION
Head unit does not adjust up or down	<ol style="list-style-type: none"><li>1. Ensure circuit breaker switch is in the "Reset" position</li><li>2. Ensure battery is not in low charge condition</li><li>3. Ensure all cables are plugged into controller board</li></ol>
Head unit moves up, but won't move down	<ol style="list-style-type: none"><li>1. Ensure all cables are plugged into controller board</li><li>2. Ensure stop sensor window near base is not obstructed and free of debris.</li></ol>
Head unit moves up very slowly	<ol style="list-style-type: none"><li>1. Make sure cart is not overloaded per recommended loading requirements</li><li>2. Ensure battery is not in a low charge condition</li></ol>

# ergotron®

For Warranty visit: [www.ergotron.com/warranty](http://www.ergotron.com/warranty)

For Service visit: [www.ergotron.com](http://www.ergotron.com)

For local customer care phone numbers visit: <http://contact.ergotron.com>

[www.ergotron.com](http://www.ergotron.com) | USA: 1-800-888-8458 | Europe: +31 (0)33-45 45 600 | China: 400-120-3051 | Japan: [japansupport@ergotron.com](mailto:japansupport@ergotron.com)

© 2018 Ergotron, Inc. All rights reserved. StyleView™ is a registered trademark of Ergotron, Inc.

While Ergotron, Inc. makes every effort to provide accurate and complete information on the installation and use of its products, it will not be held liable for any editorial errors or omissions (including those made in the process of translation from English to another language), or for incidental, special or consequential damages of any nature resulting from furnishing this instruction and performance of equipment in connection with this instruction. Ergotron, Inc. reserves the right to make changes in the product design and/or product documentation without notification to its users. For the most current product information, or to know if this document is available in languages other than those herein, please contact Ergotron. No part of this publication may be reproduced, stored in a retrieval system, or transmitted in any form or by any means, electronic, mechanical, photocopying, recording or otherwise without the prior written consent of Ergotron, Inc., 1181 Trapp Road, Eagan, Minnesota, 55121, USA Patents Pending and Patented U.S. & Foreign. Ergotron is a registered trademark of Ergotron, Inc.