

# USER GUIDE

## CUBE Carts

TVC16PAC-CK	CUBE Charging Cart AC for up to 16 devices w/Back Panel ... 1.4"W Slots   Charcoal finish
TVC32PAC-CK	CUBE Charging Cart AC for up to 32 devices w/Back Panel ... 1.4"W Slots   Charcoal finish
TVC16PAC-RED	CUBE Charging Cart AC for up to 16 devices w/Back Panel ... 1.4"W Slots   Red finish
TVC32PAC-RED	CUBE Charging Cart AC for up to 32 devices w/Back Panel ... 1.4"W Slots   Red finish
TVC16PAC-SKY	CUBE Charging Cart AC for up to 16 devices w/Back Panel ... 1.4"W Slots   Sky Blue finish
TVC32PAC-SKY	CUBE Charging Cart AC for up to 32 devices w/Back Panel ... 1.4"W Slots   Sky Blue finish

## Technical Specifications

### CAPACITY

slot width = 1.4"

TVC16PAC-XXX	1 shelf	16 devices
TVC32PAC-XXX	2 shelves	32 devices

**COMPATIBILITY** Designed for various sized laptops & chromebooks, yet versatile enough to support most tablets. Uses the device manufacturer supplied AC power cord and adapter.

**OUTSIDE DIMENSIONS** 30" W x 26.5"D x 37.5"H

**SLOT DIMENSIONS** 1.4"W x 17"D x 12"H (fixed)

<b>WEIGHT</b>	TVC16PAC-XXX	134 pounds empty 259 pounds with 16 ea 5 lb devices + an allowable 45 lbs in the bottom shelf area
	TVC32PAC-XXX	143 pounds empty 303 pounds with 32 ea 5 lb devices

**POWER MANAGER** Digital

**POWER REQUIREMENTS** 120Vac, 50/60Hz, 12A

**SHIPPING** Ships fully assembled, ready to load devices

**WARRANTY** For product specific warranty information, please visit: [bretford.com/warranty](http://bretford.com/warranty)



# General Use

## STEEL CONSTRUCTION

Designed to store, secure, transport & charge up to 32 devices. All-steel construction is sturdy and provides strength to support 32 devices.

## WARNING:

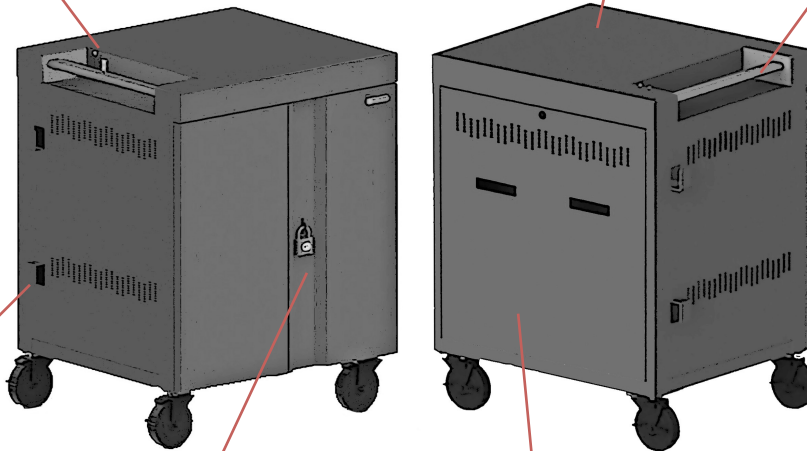
This cart is not intended to hold items on the top surface. Do not place any item weighing more than 1 pound on the top surface of the cart to avoid damage.

## POWER SWITCH

Located on the top of the cart, directly in front of the Push Bar

## INTEGRATED HANDLE

Handle integrated into the top of the cart for pushing and moving the cart.



Front View

Rear View

## POWER CORD WINDER

Located on the left side of the cabinet, provides a cord winder for the 7-foot power cord

## DOOR LOCK SHROUD

Protects the padlock during transport

## REAR ACCESS SECURITY PANEL

Held securely in place with a key lock. Once unlocked, the panel easily lifts off to expose the back of the cart, where the adapters and cord sets are kept in cable bins.

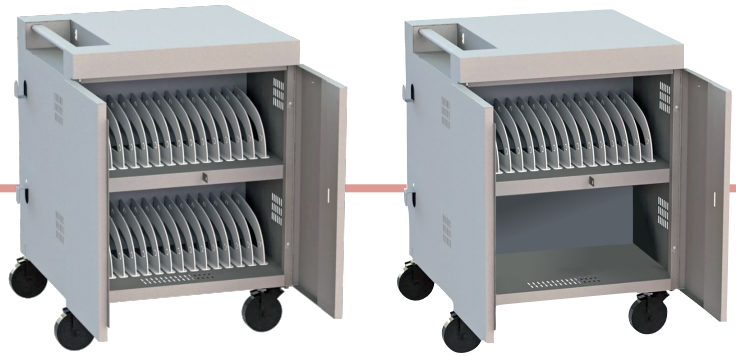
## LOCKING 5" CASTERS

Allow the cart to be easily maneuvered into small spaces. When engaged, lock the cart into position.

## SETTING THE COMBINATION LOCK

Your new CUBE Cart comes equipped with a resettable Combination Padlock. You can program the lock with your own combination. The lock starts with 0-0-0-0. Follow the directions with the lock for changing the combination. Remember to depress the shackle before disengaging it from the lock.



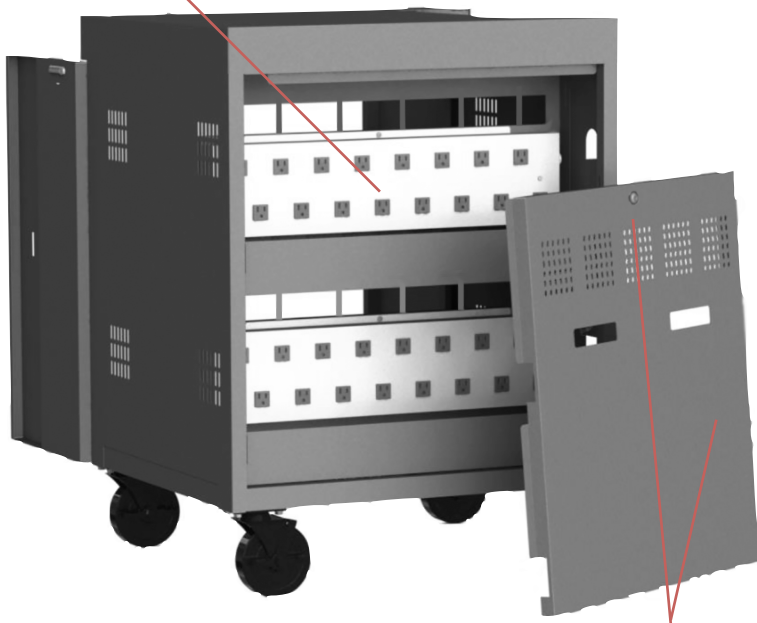


TVC32PAC-XXX

TVC16PAC-XXX

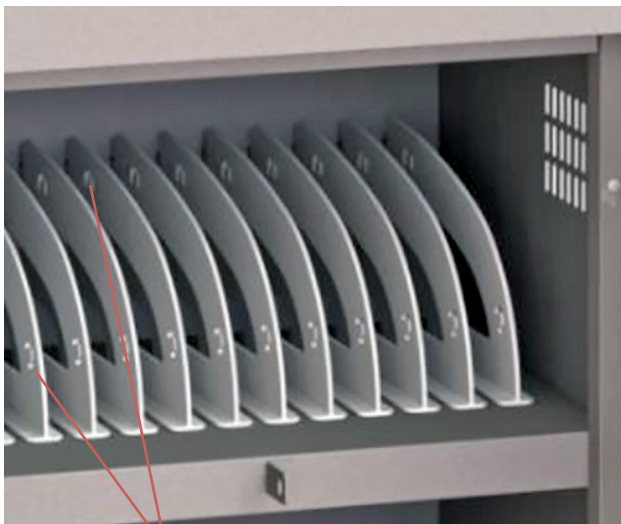
### POWER OUTLET MODULES

16 AC outlets per shelf, matches the quantity of slots in the front of the cart



### REAR ACCESS PANEL

Locks in position with the keys from the hardware pack



### PLASTIC DIVIDERS

features slots for routing the computer plug cable to the plug-in spot on the computer - high or low, left or right. NOTE: Plastic dividers are not removable or resettable.

## Device Storage & Cable Management

1. At the back of the cart, use the key from the hardware pack to unlock the rear access panel.
2. The two keys included in the hardware pack are for the person(s) responsible for managing the computer adapters and cable sets, through the rear access panel.
3. Lift the rear access panel off of the chassis. This exposes the power outlet modules for the shelves.
4. Starting in the rear of the cart with the rear access panel removed, insert a power adapter in the storage bin for the associated device storage shelf (top or bottom).
5. Measure the amount of cable necessary to reach from the power adapter located in the bin to the front of the cart (over the AC outlet box, from the back to the front of the cart, through the cable management slots that are integrated into the plastic dividers.)
6. Leave sufficient slack for the power connector to plug into the device.
7. Plug the device AC adapter plug into one of the outlets nearest to where the power adapter is located in the bin.
8. Repeat the above process for the total number of devices' power adapters & cable sets.
9. In the front of the cart, insert a device into each of the slots, and plug in the power connector to each device.
10. Replace the Rear Access Panel and lock the panel using the key from the Hardware Pack.
11. Place the cart near a wall outlet and plug the cart in.
12. Turn on the power switch - located in front of the push handle
13. In the TVC32PAC-XXX CUBE Cart for 32 devices, once the cart is turned on, the power manager begins rotating power to the power strips every 5 minutes. This allows efficient charging of the devices in the cart from one single 15 amp circuit.



**"WARNING":** This Safe User Label is attached to the side of the cart, warning that the cart may tip over if transported incorrectly, which could cause injury.

- Do not allow children under 16 to move cart. Only adults should move this cart.
- Move the cart slowly
- Apply moving force on the narrow dimension.
- Always push using the handles. Push the cart, do not pull it.
- Engage the directional lock casters when moving the cart for added stability & safety.

**"WARNING":** Relocating audio and/or video devices to a cart not specifically designed to support audio and/or video devices may result in death or serious injury due to the cart collapsing or over turning onto a child.

**"WARNING":** Death or serious injury may occur when children climb on a cart. A remote control or toys placed on the cart may encourage a child to climb on the cart and as a result, the cart may tip over on to the child.

## Safe Use Instructions

- This cart may be intended for institutional use.
- The socket outlet shall be installed near the cart and shall be easily accessible.
- Make sure all devices do not exceed the maximum load rating of 12 amps.
- Power strips inside cart are intended only for charging compatible devices. Any other use may cause overload.
- Do not move cart by pulling the power cord. Before moving cart from one room to the next, wrap power cord around the cord winder located on the side of the cart.
- Do not plug the cart in if the switch, receptacle(s), or power cord has been damaged. Contact Bretford or a qualified electrician before attempting to make any type of electrical repair or parts replacement.
- Engage locking casters when cart is not in transit.

Do not block ventilation holes on cart. Proper air flow is required for safe operation.

Cart is not designed to be operated by a child or student. Adult operation and supervision is recommended at all times.

Liquids should not be stored in, set on or placed inside the cart.

Only clean the surfaces of cart with soft dry cloth. Do not use liquid or spray or abrasive cleansers. Use only disinfecting wipes containing no bleach.

Product is for indoor use only.

User can plug in up to 32 devices at one time.

Turn power switch off before plugging in devices

Turn power switch off before unplugging the cart.

Do not pull the cart. Always push cart using the handles. Use extra caution on ramps and thresholds.

- Do not plug the power cord into another extension cord or re-locatable power tap.
- Be sure to turn power switch off and unplug cart before moving to a different location.
- Ensure casters are locked before opening the cart doors.
- Be sure to lock up cart in a secure environment after every use.
- Do not share the lock combination code with any unauthorized persons.

