



IN WIN

A1

Mini-ITX Tower

User Manual



Product Story

The A1 presents a perfect combination of innovation and classy materials. The modern Scandinavian style design is complemented with tempered glass and sleek anodized aluminium, which is suitable to any environment.

The A1 possesses detailed craftsmanship from top to base. The square structure provides hassle-free installation, and the capacity to house powerful hardware despite its compact size. An In Win 600W, 80 PLUS Bronze PSU is prebuilt within the A1 with cables already managed. A wireless charger makes life easier and charges your mobile device anytime!

The A1 not only presents the elegant aesthetics of simplicity, but also shows the spirit of In Win's motto, "Contemporary and Innovative."



Specifications

A1 case

Model	A1
Part Number	A1Black , IW-A1-BLA-P A1White , IW-A1-WHI-P
Colors	Black , White
Case Type	Mini-ITX Tower
Case Materials	SECC Steel , Tempered Glass
M/B Compatibility	Mini-ITX
Expansion Slots	PCI-E x 2
Maximum Compatibility	VGA Card Length: 300mm CPU Heatsink Height :160mm
Front Ports	2 x USB 3.0 HD Audio
Internal Drive Bays	2 x 2.5"
Thermal Solution	1 x 120mm Side Fan
Compatibility	1 x 120mm Rear Fan / 120mm Radiator 2 x 120mm Bottom Fan
Power Supply	In Win 600W PSU Included
Compatibility	
Product Dimensions (H x W x D) with screw & handle height	273 x 216 x 355.5mm (10.7" x 8.2" x 14")
Product Dimensions (H x W x D)	273 x 210 x 355.5mm (10.7" x 8.2" x 14")
Package Dimensions (H x W x D)	344 x 295 x 414 mm (13.5" x 11.6" x 16.2")
Net Weight	6 kg/ 13.2lbs
Gross Weight	6.9 kg/ 15.3lbs

- In Win products comply with RoHS regulation.
 - Specifications may vary based on different regions.
-

In Win 600W power

Model	IP-P600KQ3-2
Total Power	600W
Material	SECC Steel
Type	ATX12V V2.4
PFC	Active PFC
Efficiency	80 PLUS Bronze
MTBF (Hours)	> 100,000
AC Input	100 – 240Vac. 50-60Hz
Hold-up time (ms)	> 16ms
Fan	120mm
Operating Temperature Range(°C)	0~50°C
Full Protection	OCP/OVP/UVP/SCP/OTP/OPP
Safety Certifications	TUV/cTUVus/BSMI/CB/CE/FCC/EAC/RCM
Dimensions(L x W x D)	140 x 150 x 86 mm
Warranty	3 Years
Connectors	Motherboard 24-pin 1
	CPU 4+4-pin 1
	PCIE 6+2 pin 2
	Peripherals 0
	SATA 3
	Floppy Power 0
	Micro USB 1

- In Win products comply with RoHS regulations
- Specifications may vary based on different regions

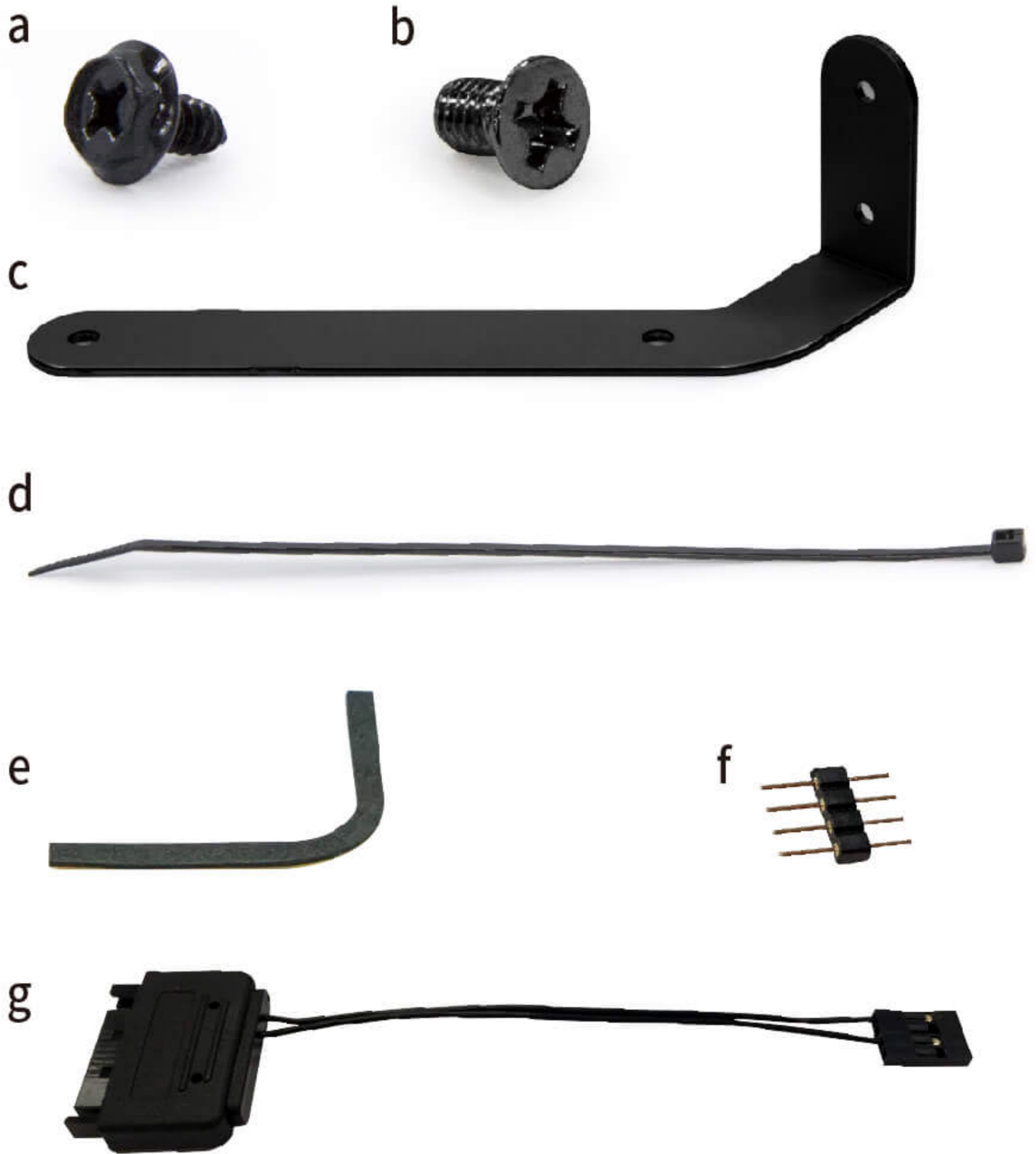


Package Content



- **A1 Chassis**
- **QR Code Card**
- **Accessories Bag**

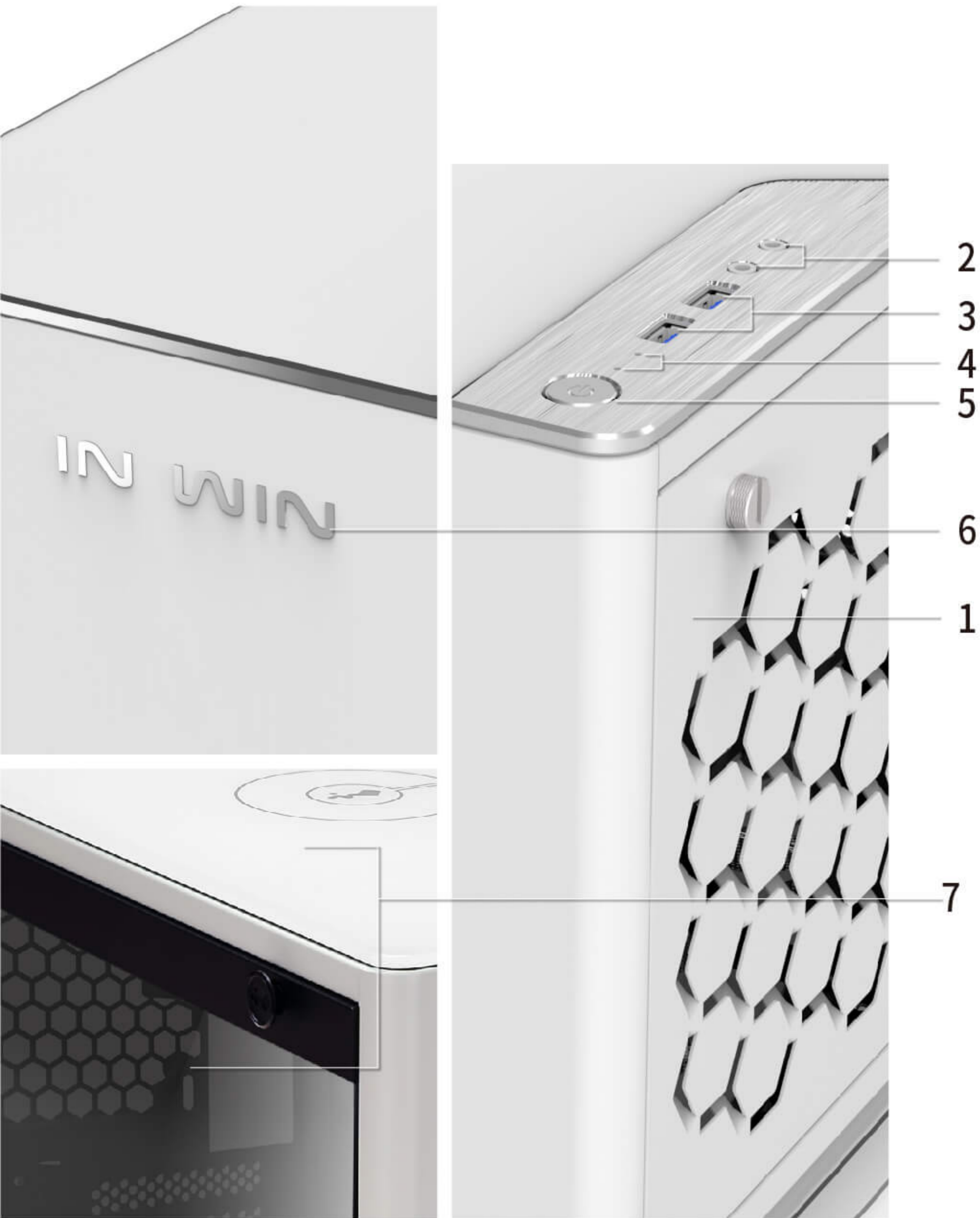
Accessories Bag



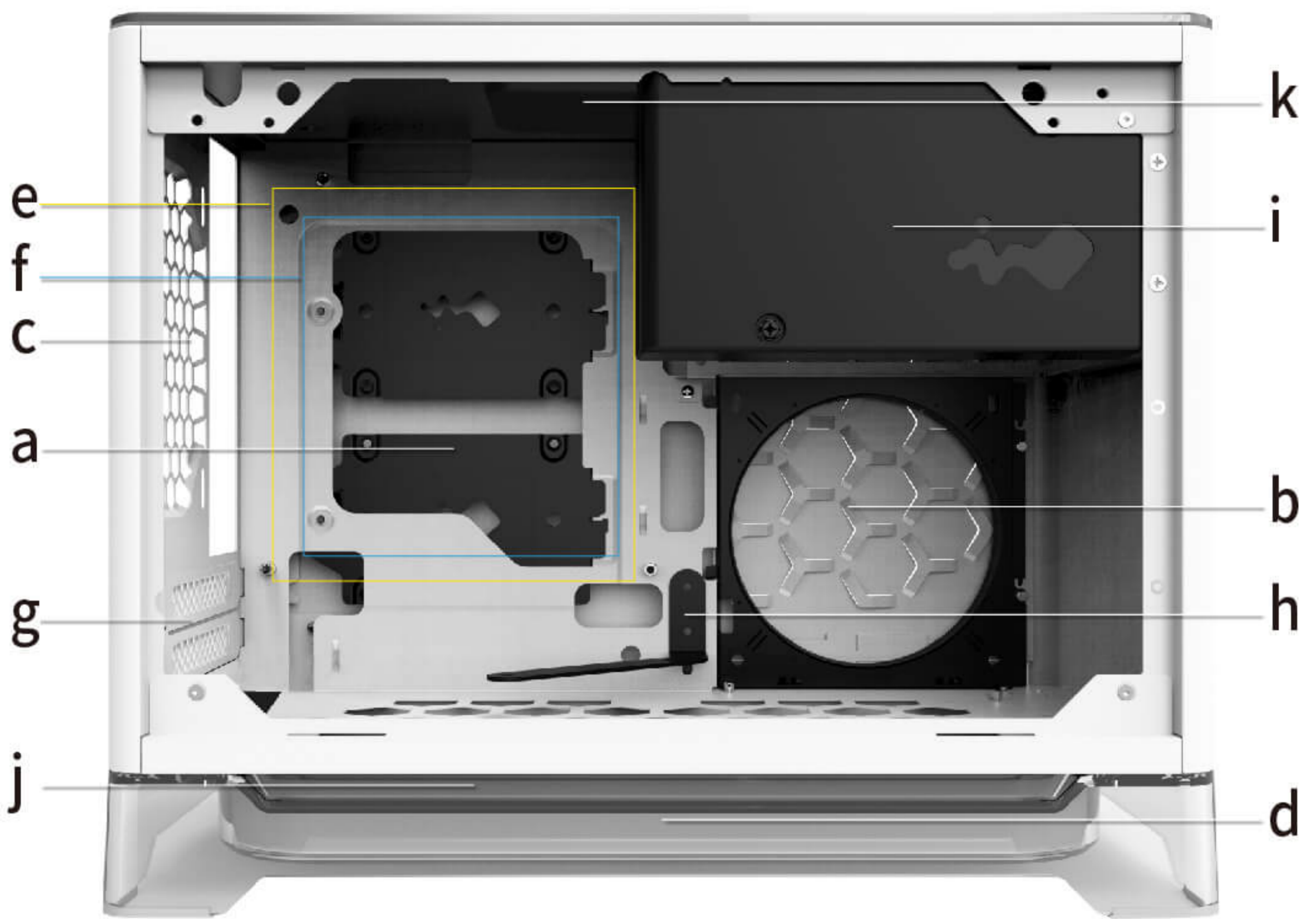
- a. Hexagon Head Screws X 8
- b. 2.5" HDD Screws X 10
- c. Graphic Card Holder X 1
- d. Cable Ties X 5
- e. Anti-Slip Strips X 4
- f. LED 4-Pin Header X 1
- g. LED-SATA Connector X 1

▲ If your motherboard doesn't have an RGB header, please use the provided LED-SATA connector and LED 4-Pin header to set default LEDs.

Case Structure



1. SECC Front/ Side Panel
2. Audio Ports (Earphone and Microphone)
3. USB 3.0 Ports
4. HDD/Power LED Indicator
5. Power Button
6. Logo
7. Tempered Glass



- a. 2.5 Drive Bay
- b. Side Fan Mounting Area
- c. Rear Fan/ Radiator Mounting Area
- d. Bottom Fan Mounting Area
- e. Motherboard Mounting Area
- f. CPU Cooler Installation Cut-Out Hole
- g. PCI-E Expansion Slot
- h. Extra PCI-E Supporting Mounting Hole
- i. Power Supply Area
- j. Fan Dust Filter
- k. Wireless Mobile Device Charging Area

Installation Guide

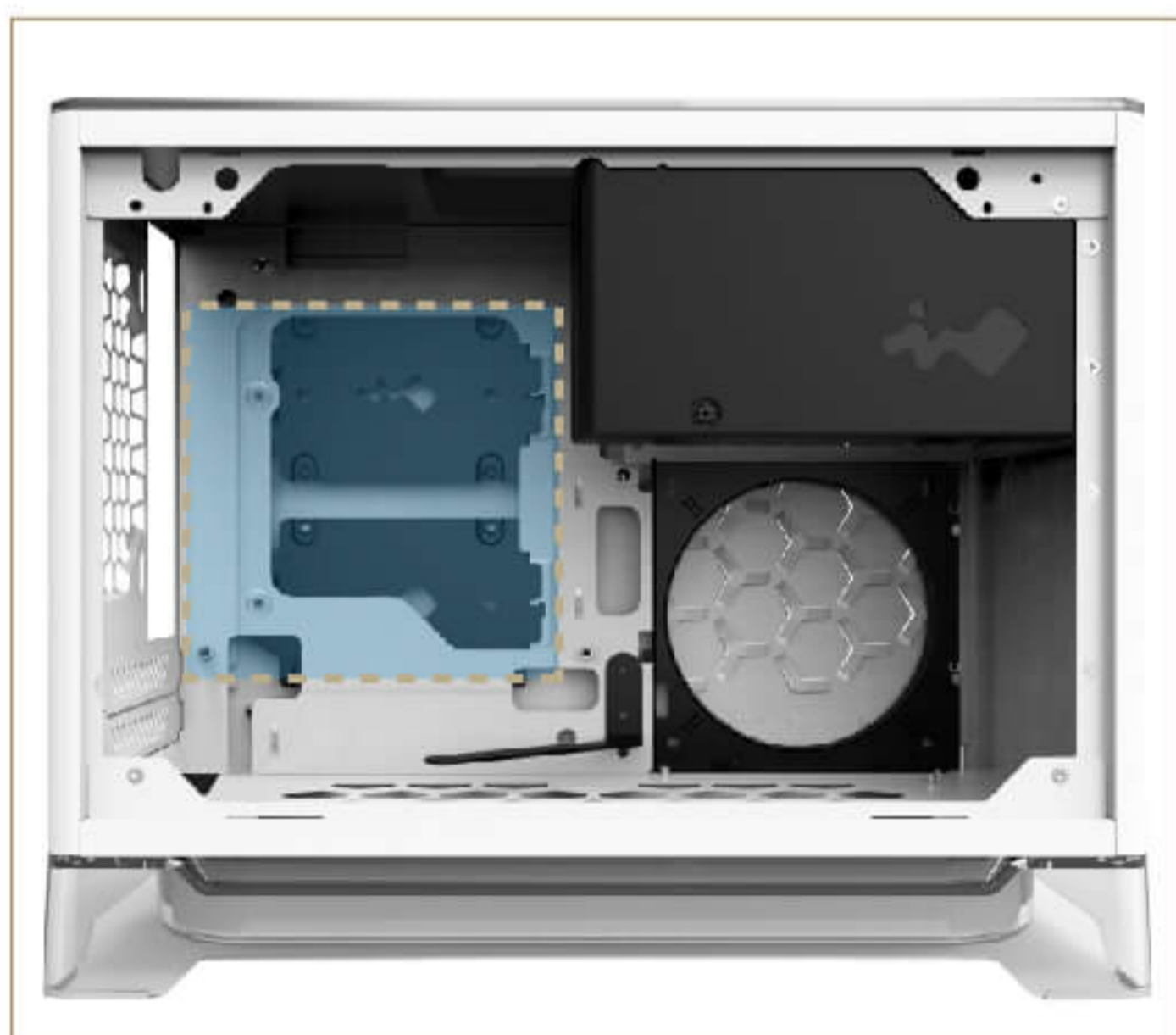
Please follow the related chapters to assemble



01

Opening the Chassis

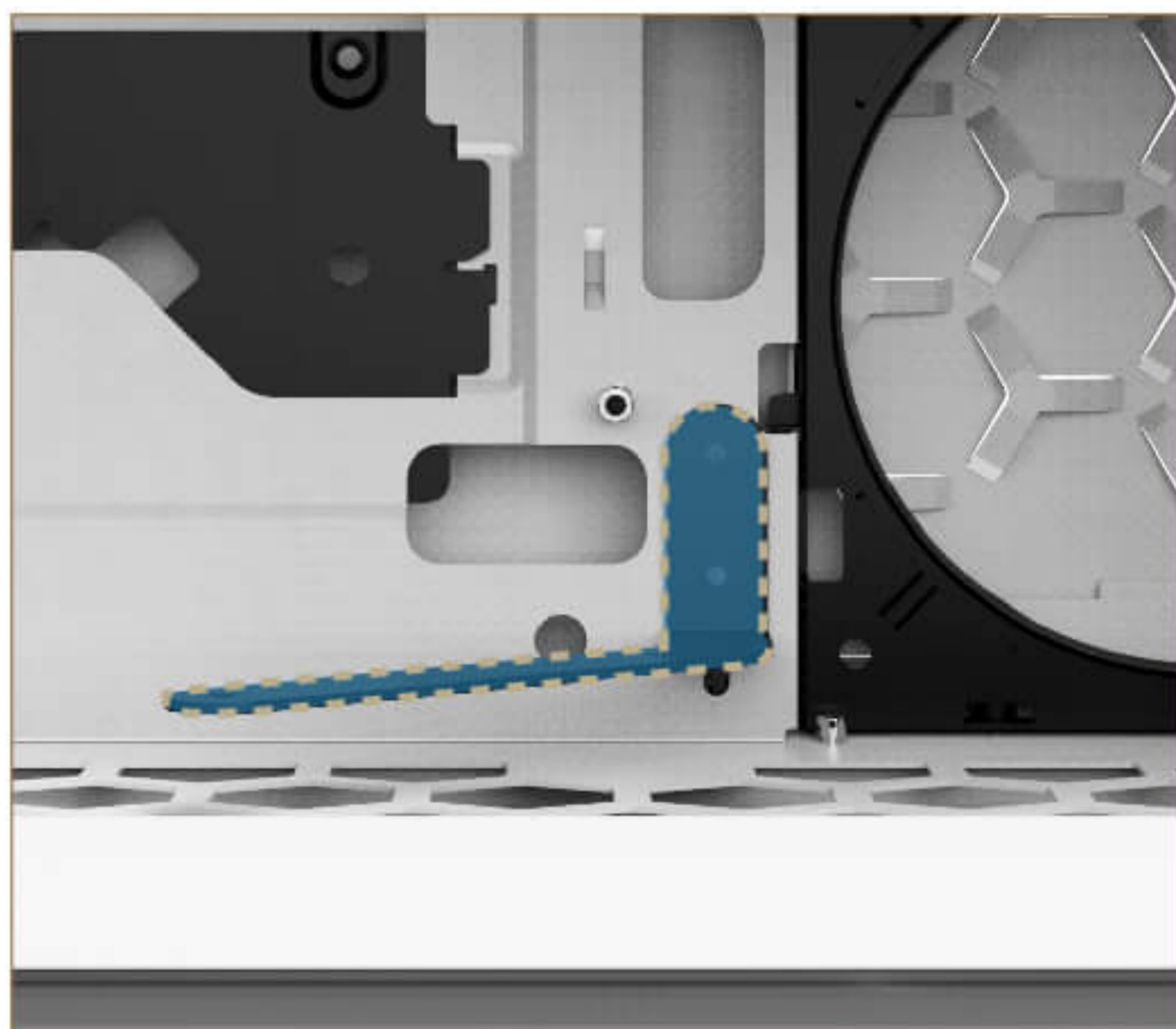
For the side panel, please pull the two tool-less tabs and lift up.



02

Motherboard Installation

Parts Required: Hexagon Head Screws



03

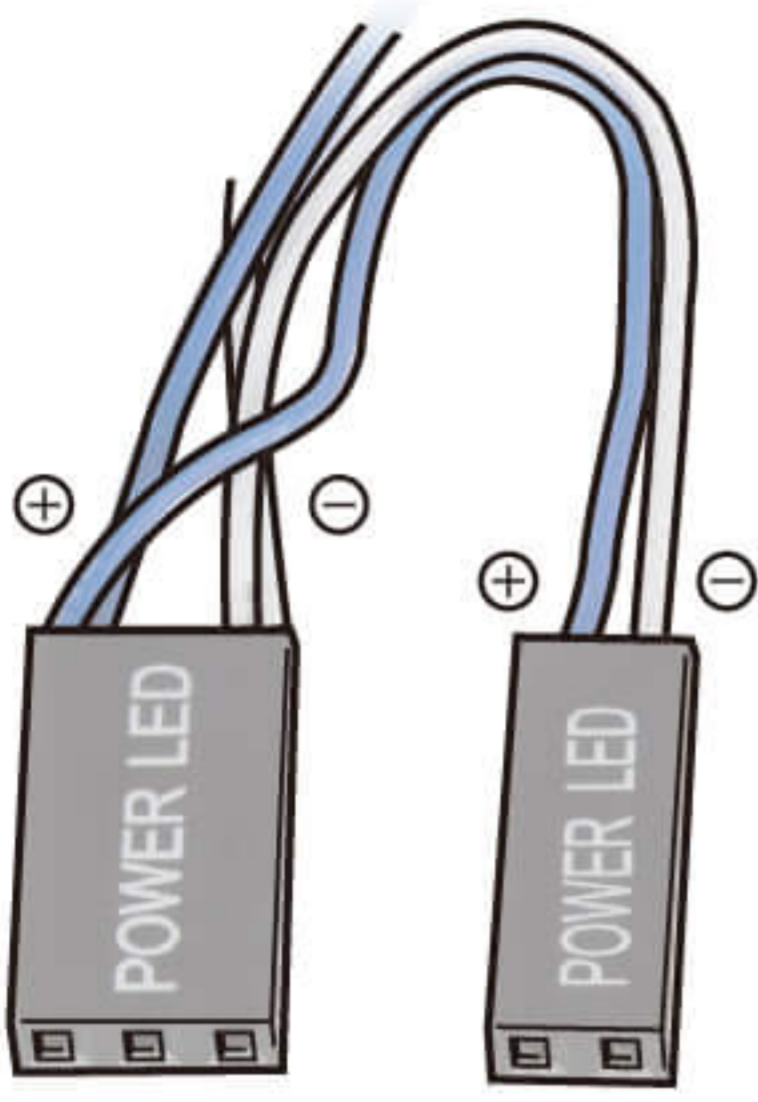
Expansion Card Installation

Parts Required:
Hexagon Head Screws,
Graphics Card Holder

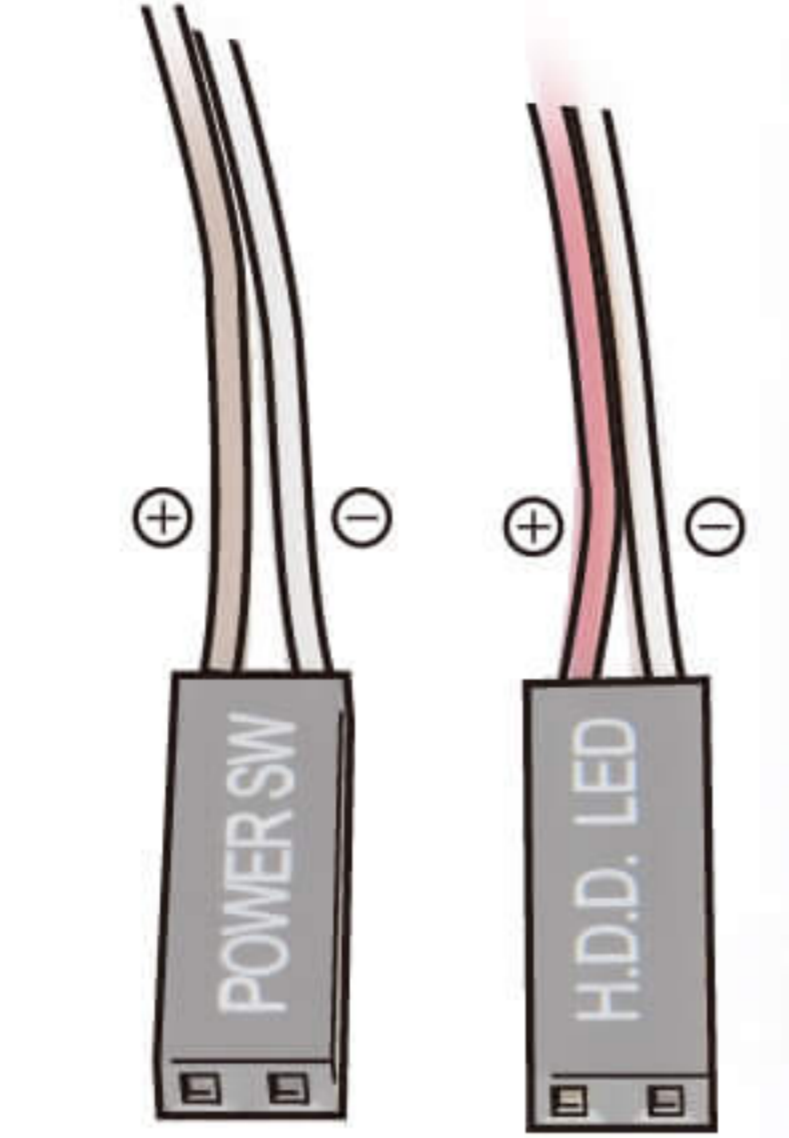


04

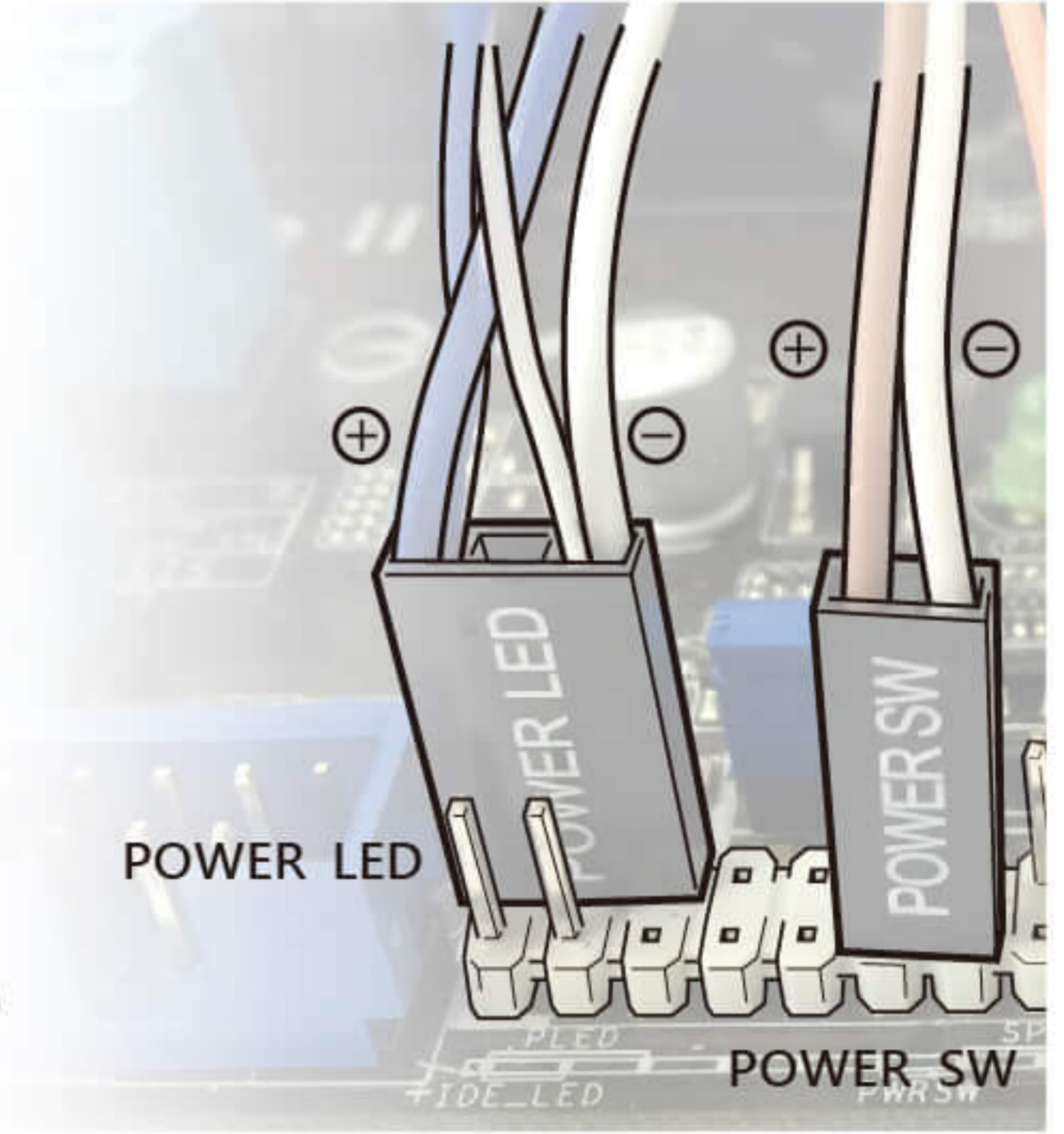
I/O Wires Installation



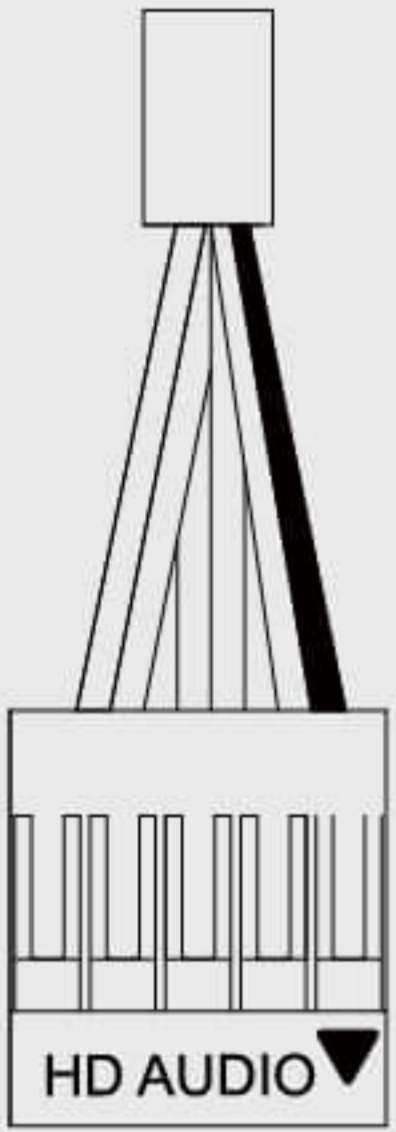
POWER LED
Depend on mortarboard to plug in 3 pin or 2 pin



POWER SW **H.D.D. LED**

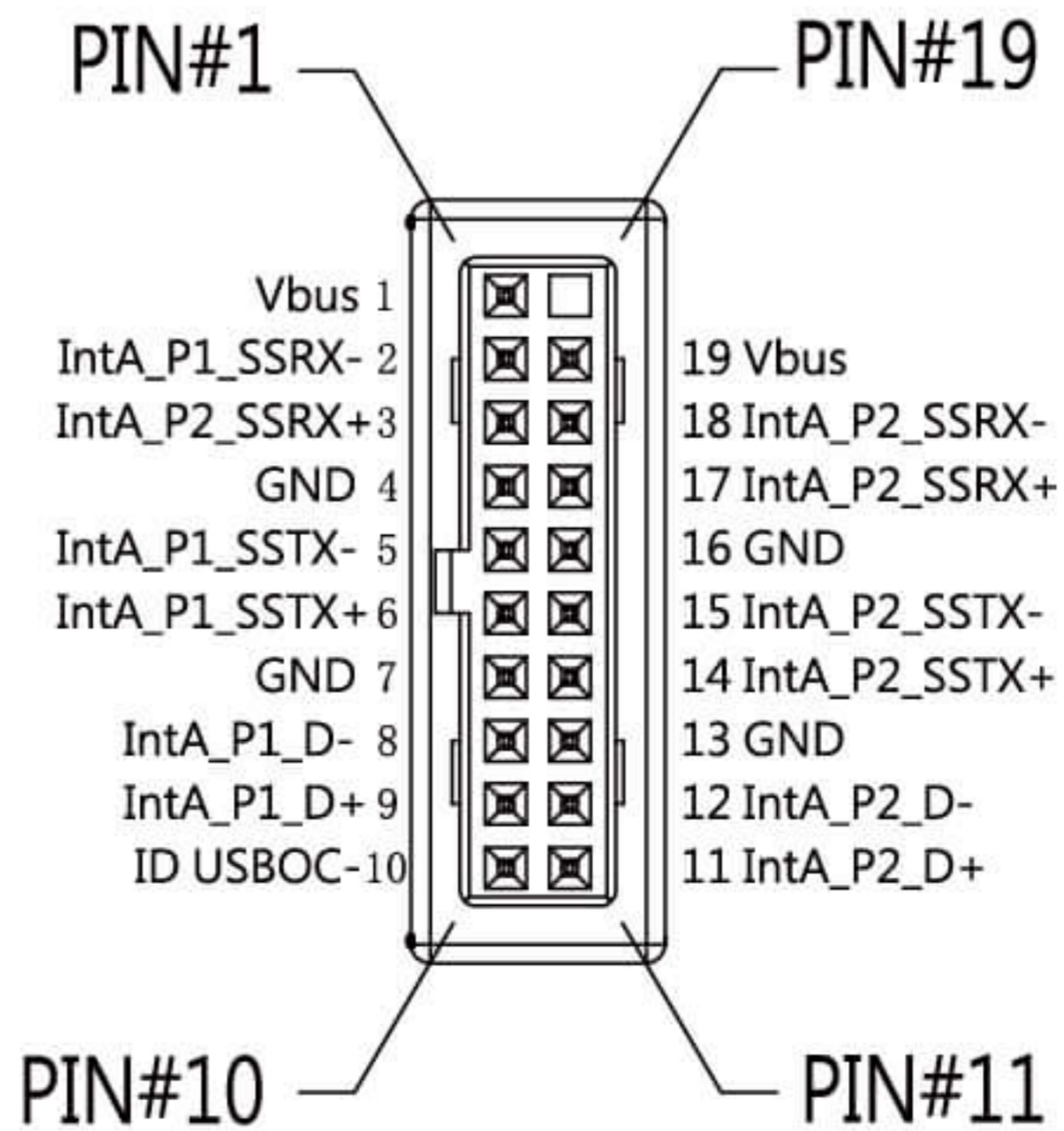
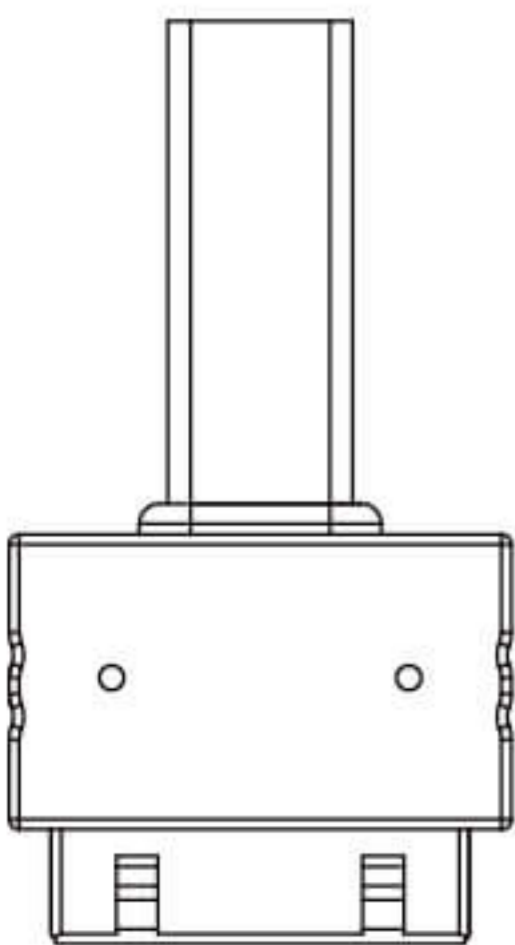


HD Audio Header



PORT2_L	BLUE	10	9	BROWN	SENSE2_R
SENSE_SEND	PURPLE	8	7		KEY
PORT2_R	YELLOW	6	5	WHITE	SNSE1_R
PORT1_R	RED	4	3	ORANGE	PRESENCE#
PORT1_L	GREEN	2	1	BLACK	GND

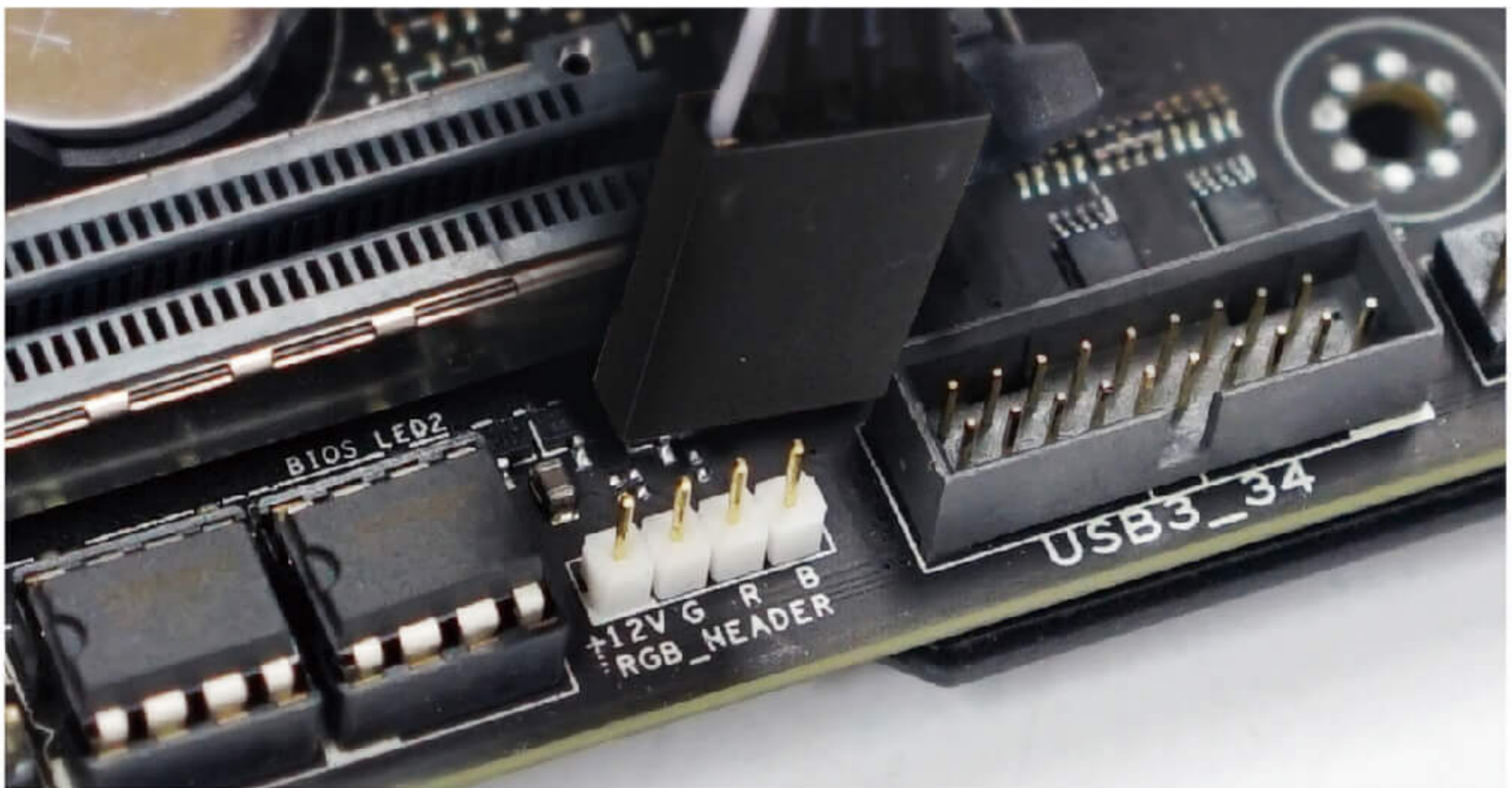
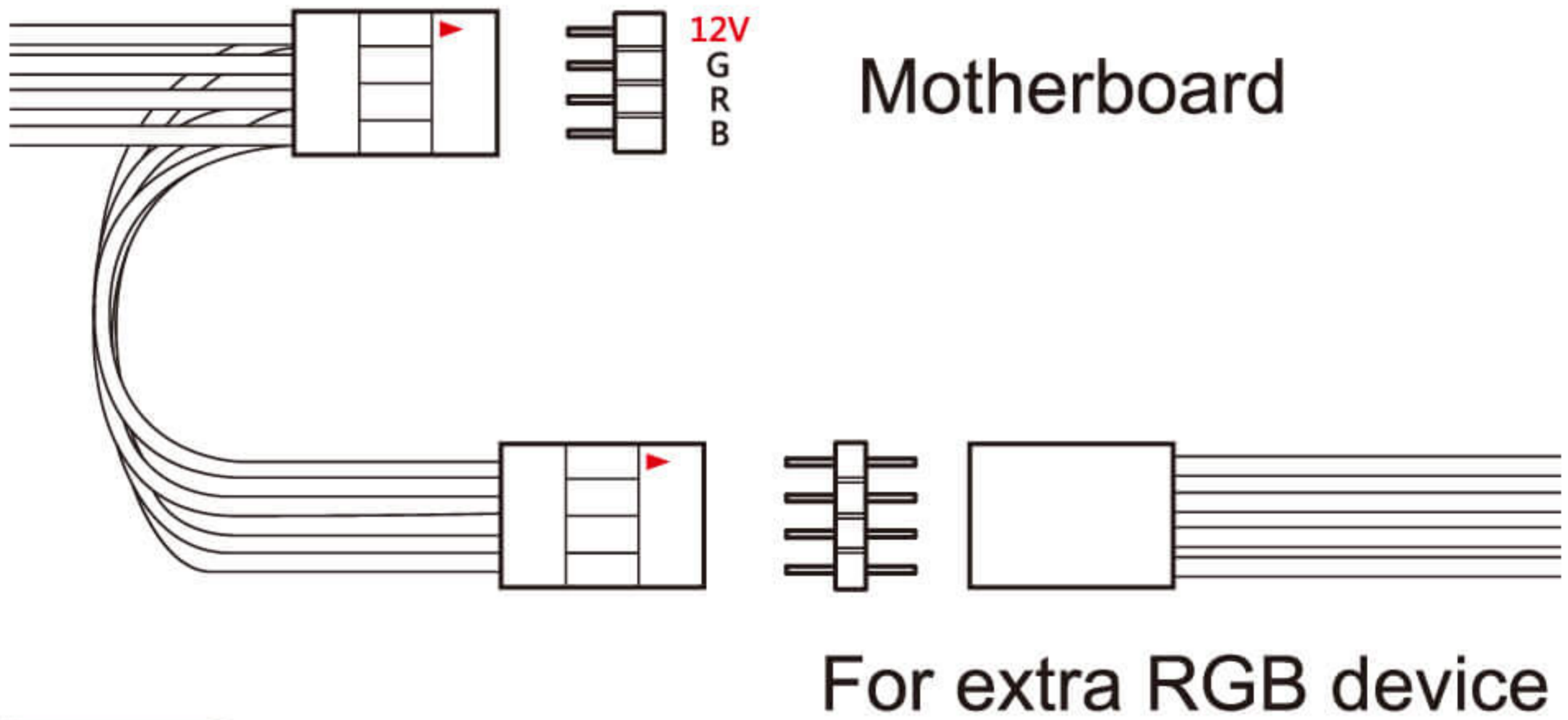
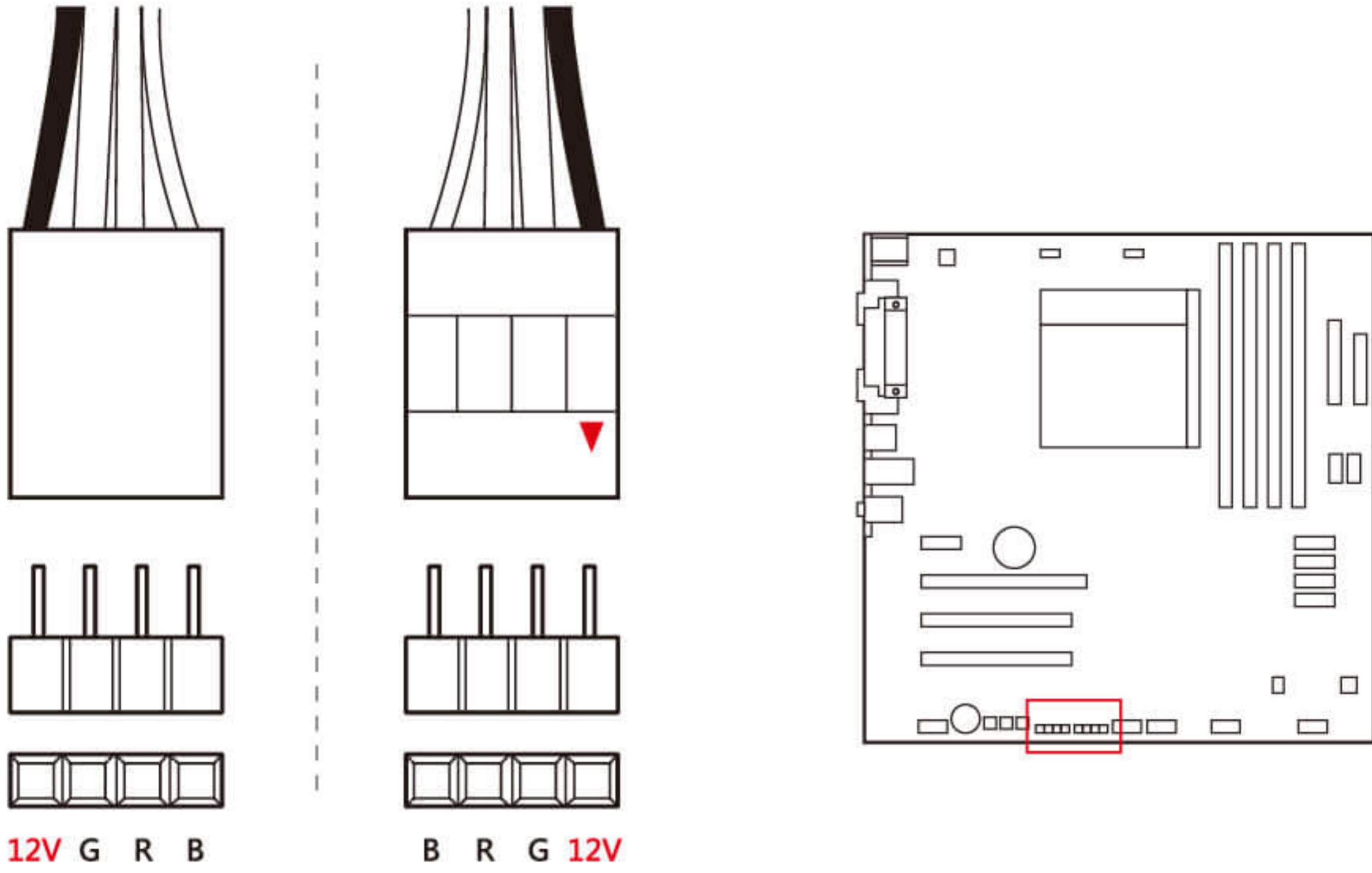
USB3.0 Header



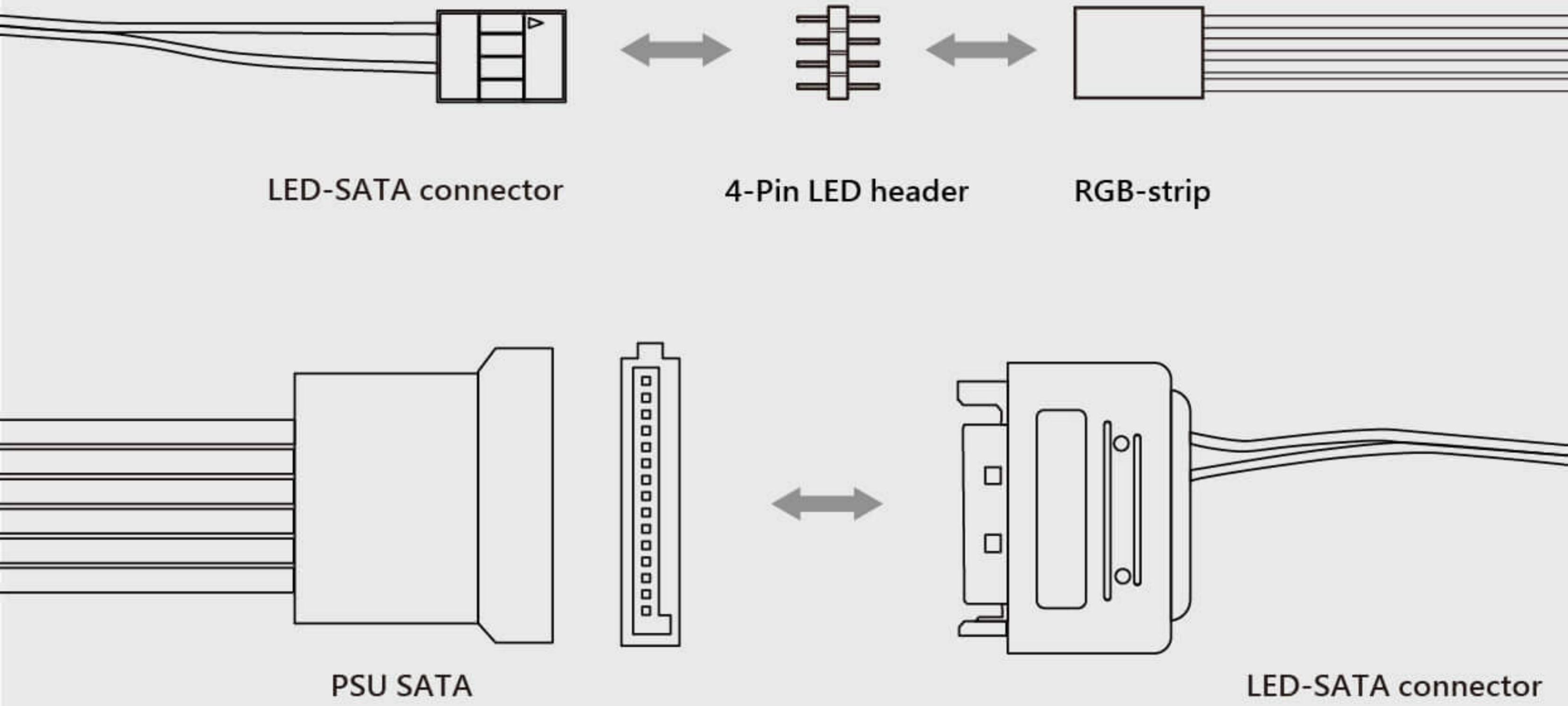
05

RGB-Strip Installation

If your motherboard support the RGB luminous effect, please follow the direction of sign and insert RGB-strip into the 4-pin RGB-strip header directly on the motherboard.



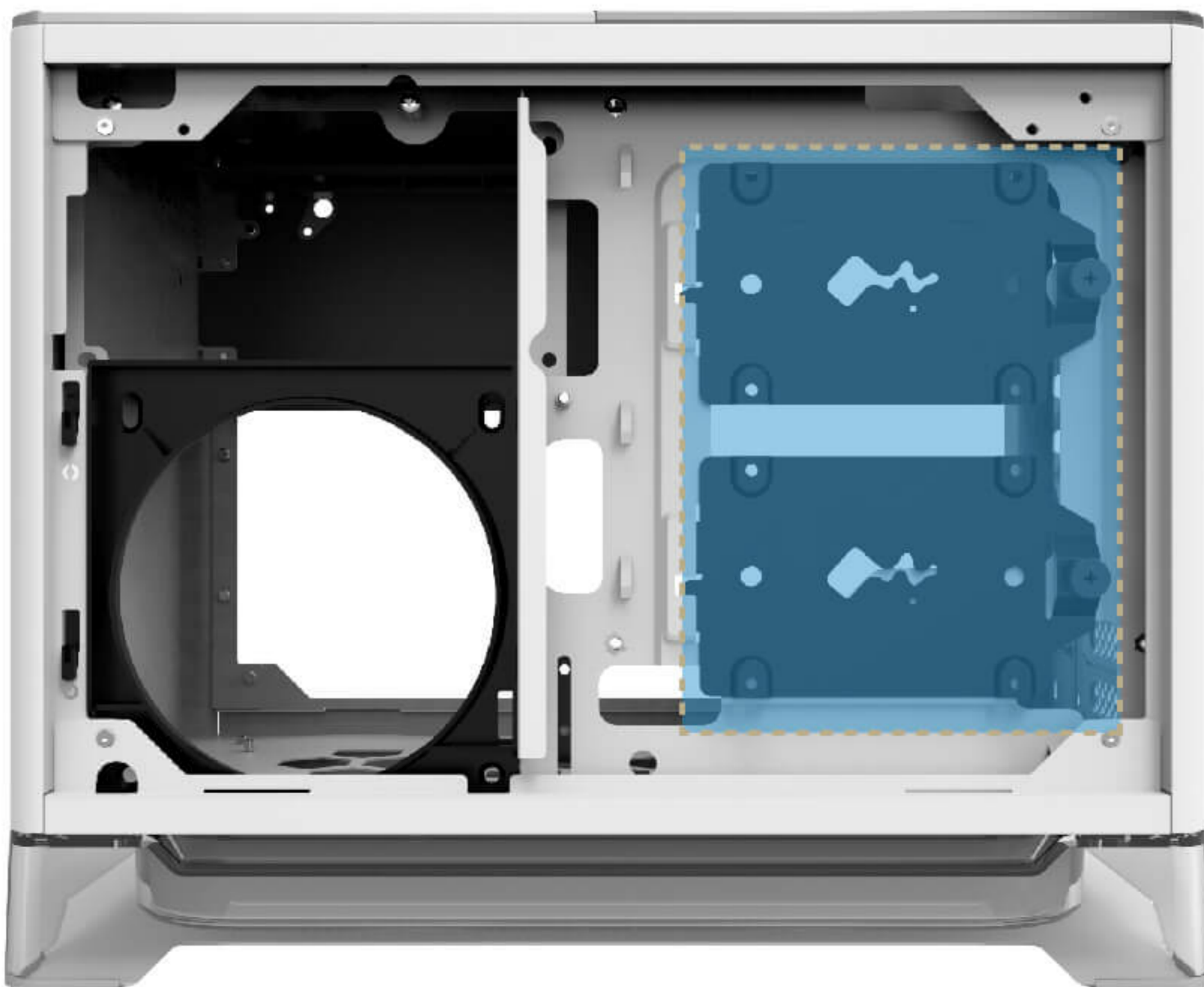
If your motherboard doesn't have an RGB header, please connect the provided dual 4-Pin LED header to the RGB-strip and the LED-SATA connector. Then connect to the PSU to set the default LEDs.



06

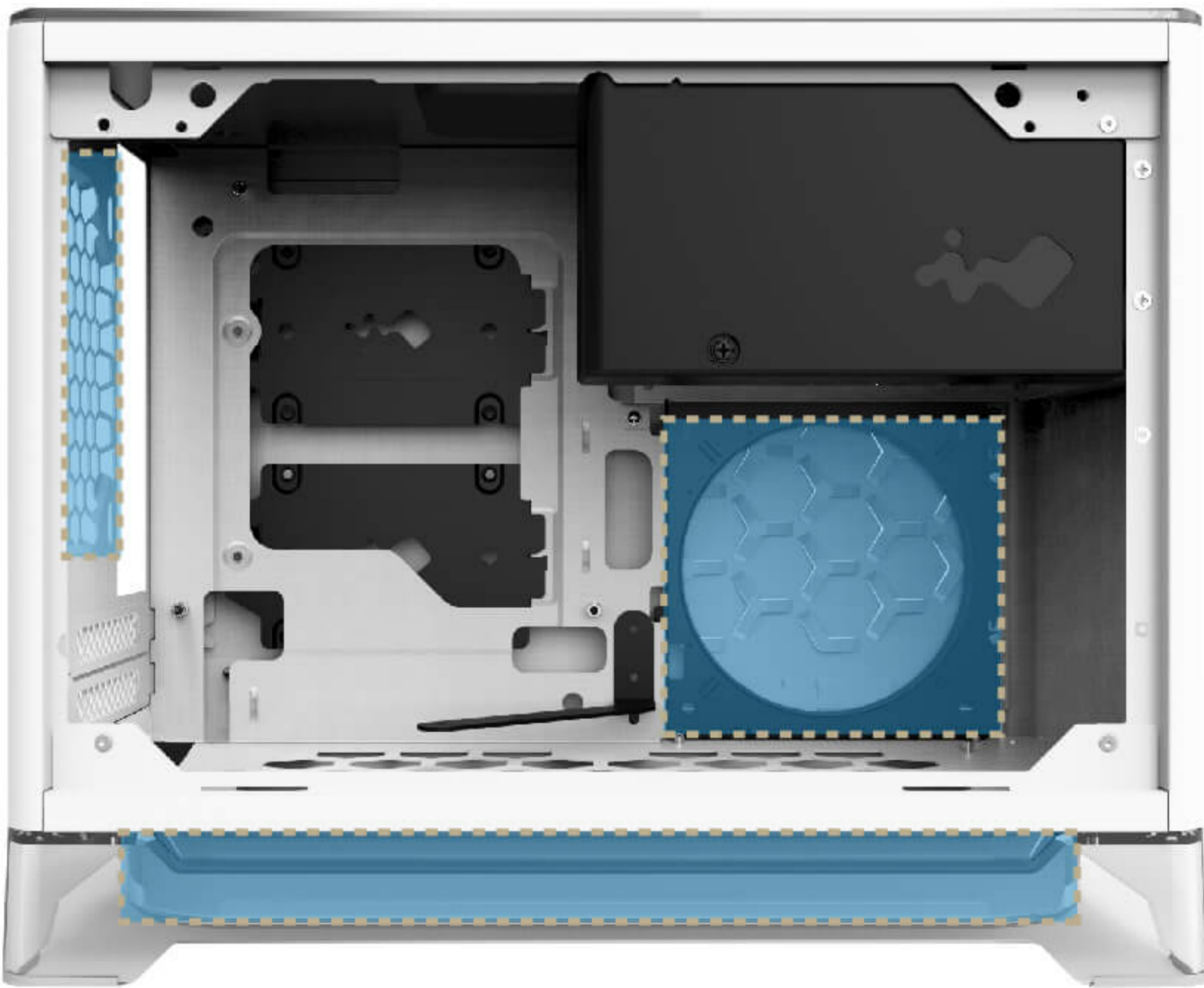
2.5" Drive Bays Installation

Parts Required: 2.5" HDD Screws



07

Fan/ Liquid Cooling Radiator Installation



08

Anti-Slip Strips Installation

Parts Require: Anti-Slip Strips

Remove the tap covers, then place them under each corner



09

Completing Installation

Parts Required: Cable Ties



Mini-ITX Tower



Notices and Warranty

■ Notices

1. Please follow the user manual for installation guidelines.
2. When installing the computer components, please use the antistatic precautions to prevent ESD (electrostatic discharge) damage. This can cause injury to the installer and/or damage to the machine. Incorrect installation may burnout the motherboard and other system components.
3. To avoid any damages, please do not use this product for any other purpose than its intended use.
4. Any modifications may damage the product.
5. Please remove all internal devices before shipping or moving. (Including power supply, hard drives, CD-ROM, motherboard, CPU, etc.)

■ Warranty

* For more detailed warranty information, please visit the In Win retail website at www.in-win.com.

* The actual product is subject to change without prior notice. In Win Development Inc. reserves the right to make final modifications.

IW-WT01

In Win IW-WT01 Wireless Charger User Manual

Specifications

- **Input** ----- 5V/2A
- **Output** ----- Support Qi 5V/1A
- **Power Transfer Efficiency** ----- 75%-78%
- **Product Dimension (H x W x D)** ----- 72 x 49 x 8 mm
- **Warranty** ----- 1 year limited warranty
(Effective date based on the purchasing date from consumers)

User Guide

- Please make sure the power is connected.
- Place the mobile device on the charging platform on the top panel.
Charging will begin after a “beeping” sound.



■ Note to use

1. To avoid any computer and computer-related component damage, please use IW-WT01 In Win approved products.
2. To indicate that the mobile device battery is at a full charge, the platform will continuously beep. To cease the beeping sounds, simply remove the device.
3. Please check if the receiver is compatible with WPC Qi.
The full compatibility list can be found in the IW-WT01 user manual.

Wireless charger compatibility list

- Apple iPhone 8/ iPhone 8 Plus/ iPhone X
- ASUS Zenfone 4/5/6, Padfone 5
- Samsung Galaxy S7/S7 Edge/S6/S6 Edge/S6 Edge +/ S6 Active S8/S8 Edge, Galaxy Note 5/ Note 7/ Note 8
- Google Nexus 7/6/5/4
- Nokia Lumia 1520/1020, Lumia 930/928/925/920, Lumia 830/822/820/735/720
- Microsoft Lumia 950/950XL/950 Dual SIM
- HTC 8X_(US version), Droid DNA, Incredible 2 , Rezound, Thunderbolt
- Moto Maxx, Moto Droid 3/4/Turbo 2/Turbo/Mini/Maxx, Motorola Moto 360 Smart Watch
- LG Spectrum/ Spectrum2, Lucid1/2, Optimus 2, Optimus G/G pro, G2_(US version), G3_(international version only)
- SONY Xperia Z4v/Z3V/N3
- SHARP AQUOS SH-02D/SH-04D/SH-04E/SH-06E/ SH-13C/SH-07D/SH-09D/ SH90B
- BlackBerry Z30, Classic
- Panasonic ELUGA VP-06D/ X P-02E/03E
- KYOCERA Hydro Elite, Urbanno L01/L03, Torque/ TorqueG02
- CAT CATphone S50, MTT Master, YOTAPHONE 2, VERTU Signature Touch
- Smart Watch: Samsung Gear, Motorola Moto360
- Other Qi integrated smart phones/devices
- Other Qi add-ons such as Qi receiver/backcover/case



IN WIN

CONTEMPORARY & INNOVATIVE

w w w . i n - w i n . c o m

