



T1618300, T1618300K Open Frame Transformer

Specification Chart:

Model #	Input (Primary)	Output (Secondary)	Agency Listing
T1618300(K)	115VAC, 50/60Hz, 2.7A	16VAC/300VA (18.7A) or 18VAC/300VA (16.7A)	

Installation Instructions:

Installation:

T1618300:

- a. Mount T1618300 in the desired location/enclosure (refer to T1618300 Bracket Dimensions, pg. 2).

T1618300K:

- a. Push the mounting bolt through the square hole from the rear of backplane (Fig. 1, pg. 1, Step 1).
- b. Place first rubber washer on the bolt (Fig. 1, pg. 1, Step 2).
- c. Mount T1618300K on the bolt (Fig. 1, pg. 1, Step 2).
- d. Place second rubber washer on the bolt. Mount concave metal plate on top of the rubber washer as shown on Fig. 1, pg. 1, Step 2.
- e. Place second metal washer on the bolt. Tighten assembly with the nut (Fig. 1, pg. 1, Step 2).

Wiring:

1. Connect AC power 115VAC, 50/60Hz to black and white primary leads (Fig. 2, pg. 1).
2. Measure output voltage across the secondary leads before connecting devices (Fig. 2, pg. 1). This helps avoiding potential damage.
 - **Yellow and Brown for 16VAC** (open circuit voltage @ 115VAC approx. 16.6VAC).
 - **Black and Brown for 18VAC** (open circuit voltage @ 115VAC approx. 18.8VAC).
3. Connect 16VAC device(s) to Yellow and Brown leads or 18VAC device(s) to Black and Brown leads (refer to Wiring Configuration below).

WARNING: This installation should be made by qualified service personnel and should conform to the National Electrical Code and all local codes.

Fig. 1 - Mounting T1618300K on a backplane:

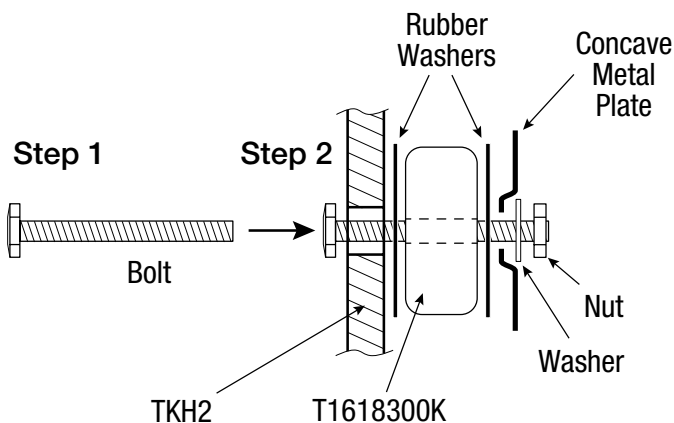
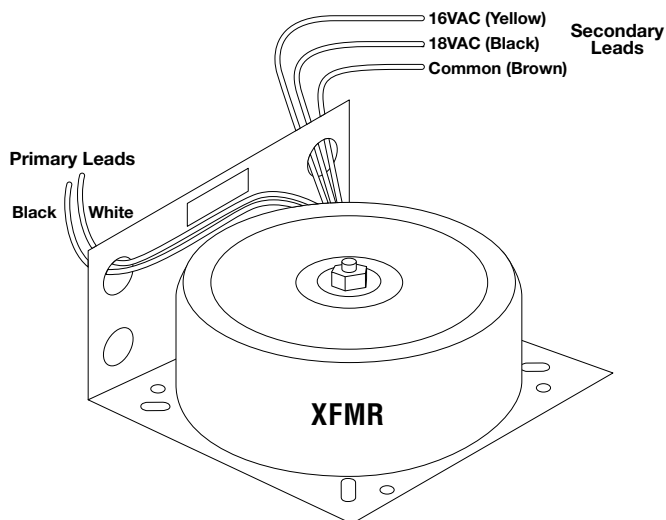
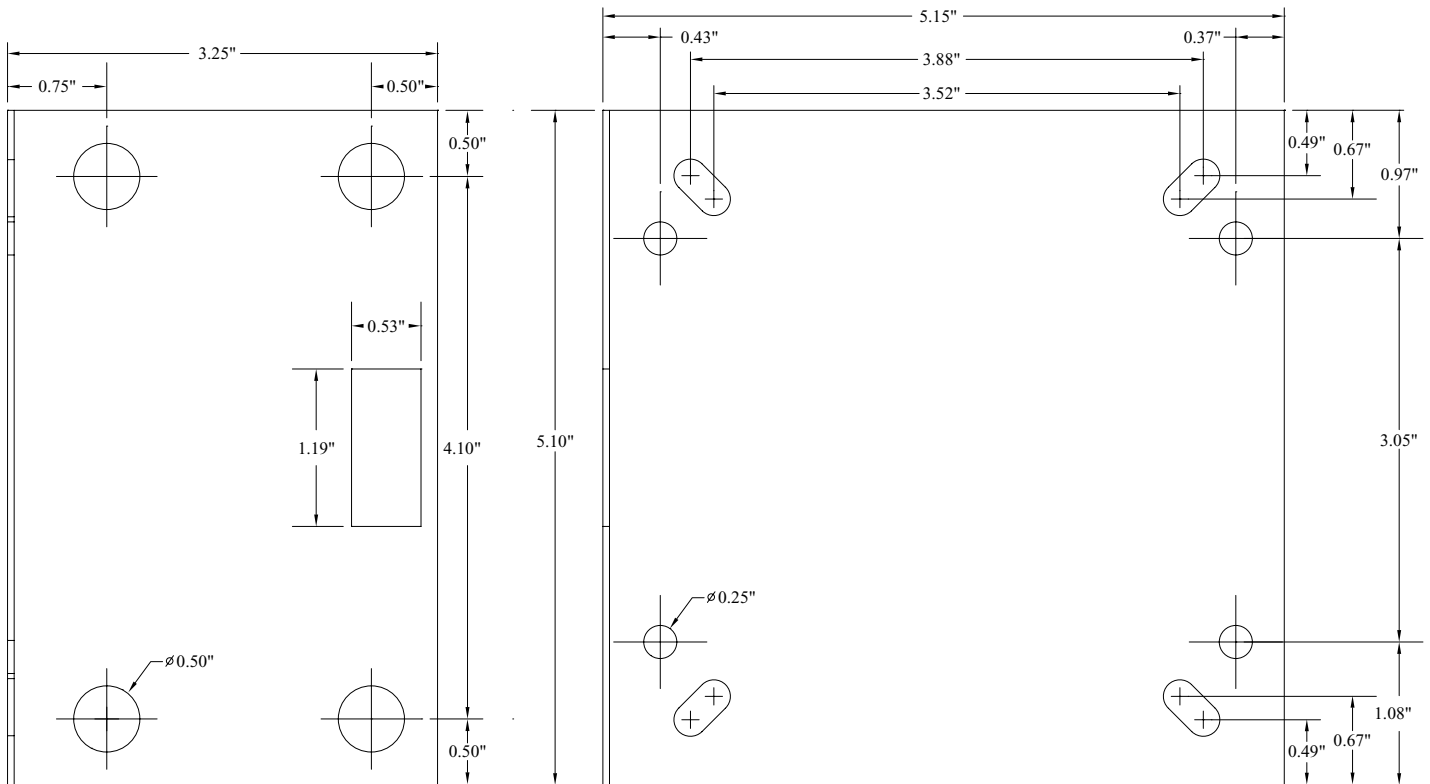


Fig. 2 - Wiring Configuration:



T1618300 Bracket Dimensions (W x L x H, approx.):

3.25" x 5.1" x 5.15" (82.6mm x 129.5mm x 130.8mm)



Altronix is not responsible for any typographical errors. Product specifications are subject to change without notice.

140 58th Street, Brooklyn, New York 11220 USA | phone: 718-567-8181 | fax: 718-567-9056
website: www.altronix.com | e-mail: info@altronix.com.

IIT1618300, T1618300K - Rev. 021418

E02R

