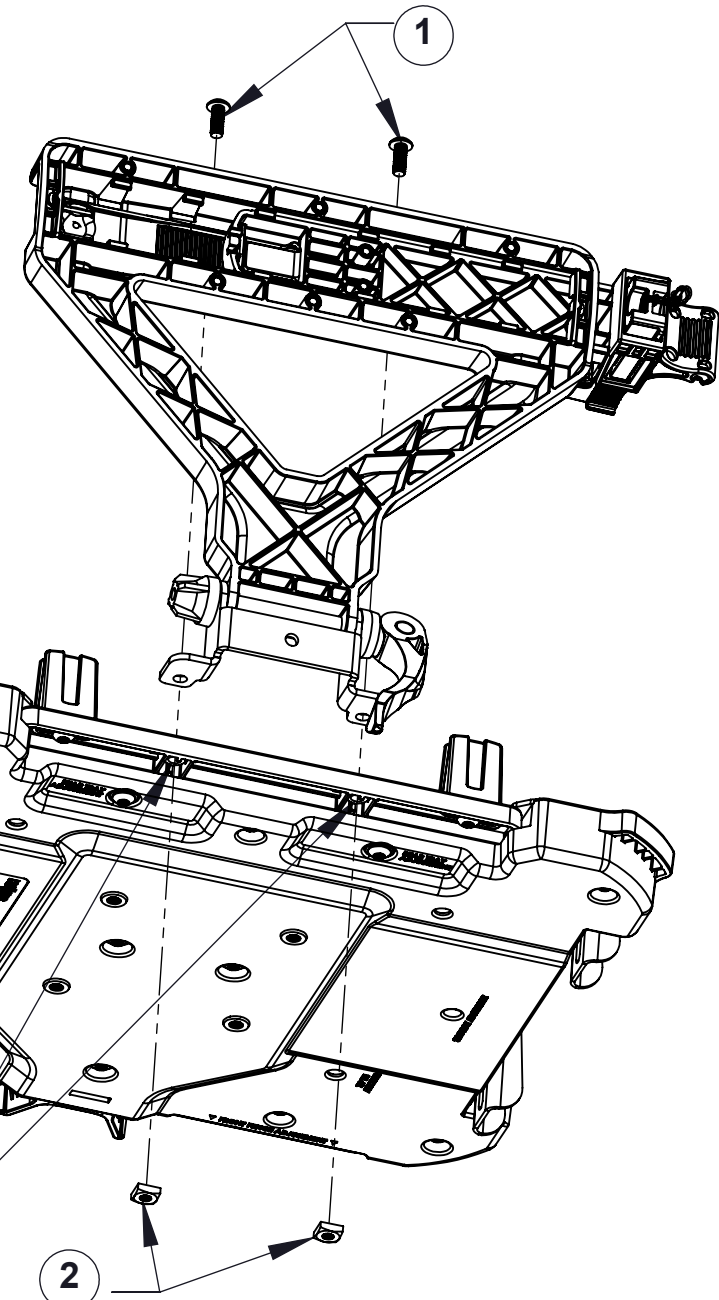




THESE BUMPERS CAN BE REPLACED WITH HARDWARE KIT ITEM #3 IF THE LAPTOP SCREEN IS THIN AND NEEDS ADDITIONAL SUPPORT

UT-1000 SERIES SHOWN FOR REFERENCE (NOT INCLUDED)

HARDWARE ITEM #2 NESTS INSIDE THE REAR TRAY AT THESE LOCATIONS



## INSTALLATION INSTRUCTIONS:

**NOTE:** Universal Tray depicted may not match identically to product purchased. However, all installation instructions are still applicable unless otherwise noted.

1. TO INSTALL SCREEN SUPPORT, POSITION BRACKET OF THE SCREEN SUPPORT SO MOUNTING HOLES LINE UP WITH THE THROUGH HOLES ON THE REAR MOVING TRAY.
  2. INSTALL 2X #10-32 X 1/2" (ITEM #1) THROUGH BRACKET, THROUGH THE HOLES OF THE REAR TRAY AND INTO THE #10-32 SQUARE NUTS (ITEM #2) THAT REST INSIDE THE POCKETS ON THE UNDERSIDE OF THE REAR TRAY. TORQUE FASTENERS TO 20 IN-LBS ±10% USING THE L-KEY PROVIDED WITH YOUR UNIVERSAL TRAY FOR ADJUSTMENT OR A T25 PIN-IN TORX DRIVER.
- NOTE:** When a pre-applied thread-locking patch is not present on hardware, it is recommended to apply a drop of medium strength (blue) thread locking adhesive to the threads of the hardware prior to assembly.
3. MOUNT COMPUTER IN UNIVERSAL TRAY.
  4. EXTEND EXTENSION ARM OUT ALL THE WAY TO END OF TRAVEL.
  5. EXTEND SCREEN HOLDER OUT TO LIMIT OF ITS TRAVEL WITHOUT IT COMING OUT OF EXTENSION ARM.
  6. OPEN SCREEN OF COMPUTER TO DESIRED ANGLE. LOOSEN CLAMP AND BRING MAIN SCREEN SUPPORT UP TO BACK OF SCREEN AND TIGHTEN CLAMP.
  7. SLIDE EXTENSION ARM IN SO THAT SCREEN HOLDER TOUCHES SIDE OF SCREEN.
  8. ADJUST SCREEN HOLDER IN SO IT FITS TIGHT AGAINST SCREEN.
  9. IF THE SCREEN HOLDER IS NOT TIGHT AGAINST THE SCREEN REPLACE THE SHORTER BUMPERS IN THE SCREEN SUPPORT WITH THE TALLER BUMPERS IN THE HARDWARE KIT (ITEM #3).

**NOTE:**  
 - SCREEN HOLDER IS DESIGNED TO DETACH AND BE HELD BY TETHER WHEN SCREEN IS CLOSED.

- CLAMP CAN BE TIGHTENED BY LOOSENING LEVER ARM, ROTATING NUT AND THEN RETIGHTENING LEVER ARM.

- NIGHT EYES:USB (DS-DA-102) CAN BE INSTALLED ONTO BRACKET USING P-CLAMP AND SCREW PROVIDED IN NIGHT EYES HARDWARE KIT. PLACE P-CLAMP AROUND NIGHT EYES, AS SHOWN. ALIGN WITH HOLE ON BACK OF MAIN SCREEN SUPPORT AND INSTALL SCREW. TIGHTEN TO 10 IN-LBS. ±10%.

HARDWARE KIT CONTENTS				
ITEM #	DESCRIPTION	QTY.	FINISH	DRIVE STYLE/SIZE
1	MACHINE SCREW, BH PIN-IN TORX #10-32 X 1/2" LONG	2	PLAIN W/ PATCH	T25
2	NUT, #10-32 X 0.375" SQUARE X 0.130"	2	PLAIN	3/8" SQUARE
3	LARGE PUSH IN BUMPER	3		

**WARNING:** ALL HAVIS INC. PRODUCTS ARE DESIGNED WITH SAFETY OF USE AND INSTALLATION IN MIND. HOWEVER, IT IS THE SOLE RESPONSIBILITY OF THE OWNER/OPERATOR OF A VEHICLE USING HAVIS INC. MOUNTING AND DOCKING EQUIPMENT, TO INSURE THAT THE EQUIPMENT IS INSTALLED SO THAT IT WILL NOT INTERFERE WITH VEHICLE OPERATION, INTERFERE WITH SAFETY DEVICES, OBSTRUCT VIEW OF DRIVING CONDITIONS, OR IN ANY WAY DEGRADE OCCUPANT SAFETY. IMPROPER INSTALLATION CAN CAUSE SERIOUS INJURY IN THE EVENT OF AN ACCIDENT. INSTALLATION SHOULD ONLY BE PERFORMED BY QUALIFIED PROFESSIONALS. COMPUTERS AND MOTION DEVICES MUST BE MOVED TO AND STOWED/SECURED IN THEIR SAFE DRIVING POSITIONS BEFORE OPERATING VEHICLE.

PRODUCT DESCRIPTION  
**THIS PRODUCT SUPPLIES SUPPORT FOR THE SCREEN OF THE COMPUTER WHEN DOCKED.**

**DRAWING NUMBER:  
 DS-DA-421\_INST\_10-17**

PRODUCT I.D.	DATE
<b>DS-DA-421</b>	<b>10/02/17</b>

PRODUCT NAME  
**SCREEN SUPPORT  
 UT-1000 SERIES**

**HAVIS**  
 1-800-524-9900  
 WWW.HAVIS.COM

WEIGHT: (GMS)  
 REV. DATE