

ThinkCentre[®]

M710q

User Guide and Hardware Maintenance Manual

Machine Type (MT):

10MQ, 10MR, 10MS, 10MT, 10QR

Energy Star MT:

10MQ, 10MR, 10MS, 10MT, 10QR



Lenovo[®]

Overview



Locations of indicators, connectors, and controls provided on your computer



Computer locks



Locking devices for your computer



Specifications



Specifications of your computer



Replaceable parts



Locations of the replaceable parts on your computer



Replacing CRUs



Replacing instructions for customer-replaceable units (CRUs)



Replacing FRUs



Replacing instructions for field-replaceable units (FRUs) (for technicians only)



Contents

Overview 3

Front view.....	3
Rear view.....	4
System board.....	6
Machine type and model label.....	7

I/O box 8

Overview.....	8
Using the I/O box.....	9

Computer locks 10

Attaching a Kensington-style cable lock.....	10
--	----

Specifications..... 11

Replacing hardware 12

Before replacing hardware.....	12
Handling static-sensitive devices.....	12
Knowing replaceable parts.....	13
Customer-Replaceable Units (CRUs).....	13
Field-Replaceable Units (FRUs).....	13
CRUs and FRUs locations.....	14

Replacing CRUs 17

Before replacing CRUs.....	17
Replacing the keyboard or wireless keyboard.....	19
Replacing the keyboard.....	19
Replacing the wireless keyboard.....	19
Replacing the mouse or wireless mouse.....	20
Replacing the mouse.....	20
Replacing the wireless mouse.....	20
Replacing the power adapter.....	22
Replacing the vertical stand.....	23
Replacing the VESA mount bracket.....	24
Replacing the external optical drive box.....	25

Replacing the external I/O box.....	26
Replacing the power adapter bracket.....	27
Removing the computer cover and dust shield ...	28
Replacing the storage drive.....	29
Replacing the internal speaker.....	30
Replacing the system fan.....	31
Replacing the Wi-Fi card.....	32
Replacing the bottom cover.....	34
Replacing the memory module.....	35
Replacing the M.2 storage drive.....	36
Completing the parts replacement.....	37

Replacing FRUs 38

Before replacing FRUs.....	38
Replacing the illuminated red dot cable.....	40
Replacing the advanced speaker.....	41
Replacing the Wi-Fi antennas.....	42
Replacing the front Wi-Fi antenna.....	42
Replacing the rear Wi-Fi antenna.....	43
Replacing the storage drive cable.....	44
Replacing the heat sink.....	45
Replacing the microprocessor.....	46
Replacing the coin-cell battery.....	48
Replacing the antenna bracket, system board, and chassis.....	50

Notices & Trademarks 52

Notices.....	52
Trademarks.....	53

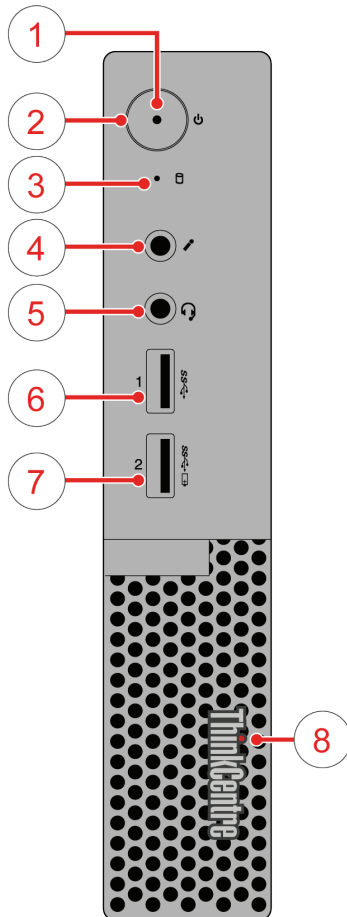
Overview

Front view



Note

Your computer model might look slightly different from the illustration.



1

Power indicator

This indicator is on when the computer is on.

2

Power button

Used to turn on your computer. When you cannot shut down the computer from the operating system, press and hold the power button for four or more seconds to turn off the computer.

3

Storage drive status indicator

This indicator is on when the storage drive is in use.

4

Microphone connector

Used to connect a microphone to your computer. You can use the microphone to record sounds or interact with the computer using speech-recognition software.

5

Headset connector

Used to connect a headset or headphones to your computer.

6

USB 3.0 connector

Used to connect a USB-compatible device, such as a USB keyboard, mouse, scanner, printer, or personal digital assistant (PDA). For optimal data transfer, connect a USB 3.0 device to a USB 3.0 connector instead of a USB 2.0 connector.

7

Always On USB 3.0 connector

Used to connect a device that requires a USB 2.0 or USB 3.0 connection, such as a keyboard, a mouse, a scanner, a printer, or a personal digital assistant (PDA). With the power adapter connected, you can charge the automatically detected device even when the computer is in hibernation mode or turned off.

8

Illuminated red dot

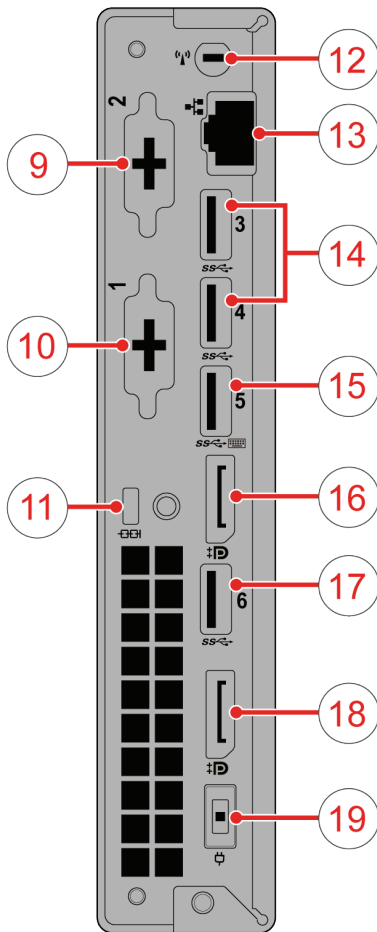
This indicator is on when the computer is powered on.

Rear view



Note

Your computer model might look slightly different from the illustration.



- 9 Optional connector 1**
Depending on the computer model, the connector might vary.

- 10 Optional connector 2**
Depending on the computer model, the connector might vary.

- 11 Security-lock slot**
Used to secure a Kensington-style cable lock.

- 12 Wi-Fi antenna slot**
Used to install the rear Wi-Fi antenna cable connector that is available only on some models. The rear Wi-Fi antenna is installed on the rear Wi-Fi antenna cable connector.

- 13 Ethernet connector**
Used to connect an Ethernet cable for network access.

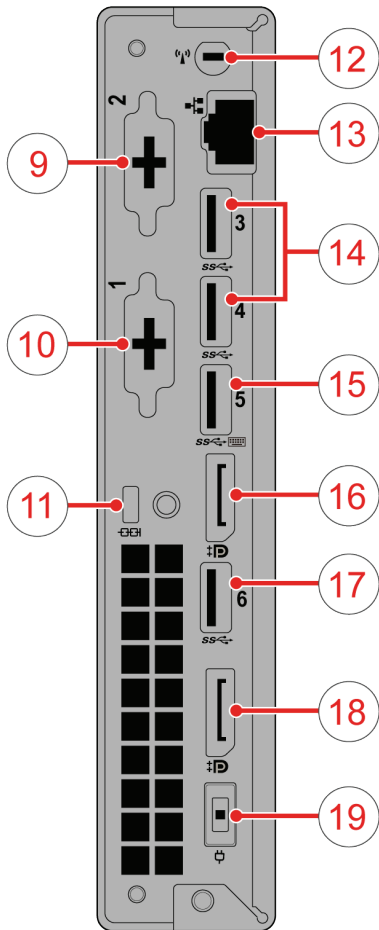
- 14 USB 3.0 connectors (2)**
Used to connect a device that requires a USB 2.0 or USB 3.0 connection.

- 15 USB 3.0 connectors**
Used to connect a device that requires a USB 2.0 or USB 3.0 connection.



Note

The USB 3.0 connector supports the smart power on feature that enables you to turn on the computer or wake it up from S4 hibernation mode by pressing Alt+P on the keyboard. You can enable or disable the smart power on feature from the Setup Utility program. For detailed information, see *Important Product Information Guide*.



16

DisplayPort® connector

Used to send or receive audio and video signals. You can attach a compatible audio or video device to this connector, such as a high-performance monitor.

17

USB 3.0 connector

Used to connect a device that requires a USB 2.0 or USB 3.0 connection.

18

DisplayPort connector

Used to send or receive audio and video signals. You can attach a compatible audio or video device to this connector, such as a high-performance monitor.

19

Power adapter connector

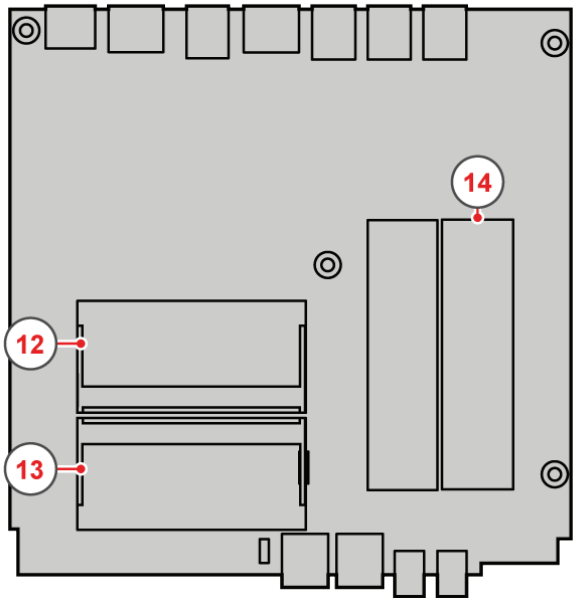
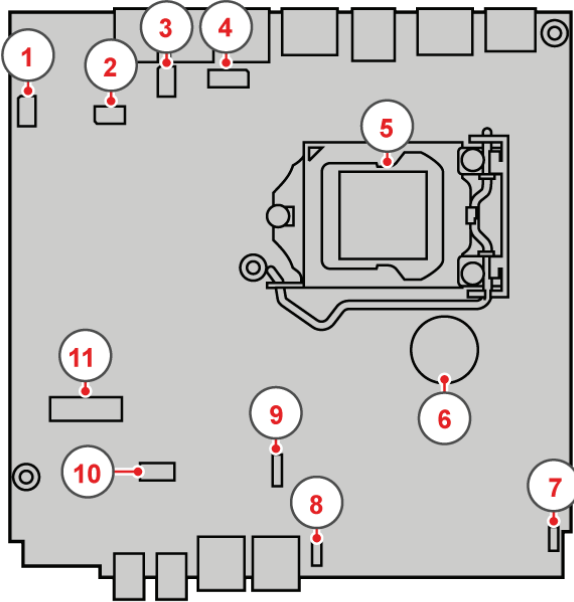
Used to connect the power adapter to your computer for power supply.

System board



Note

See [Front view](#) or [Rear view](#) for additional component descriptions.

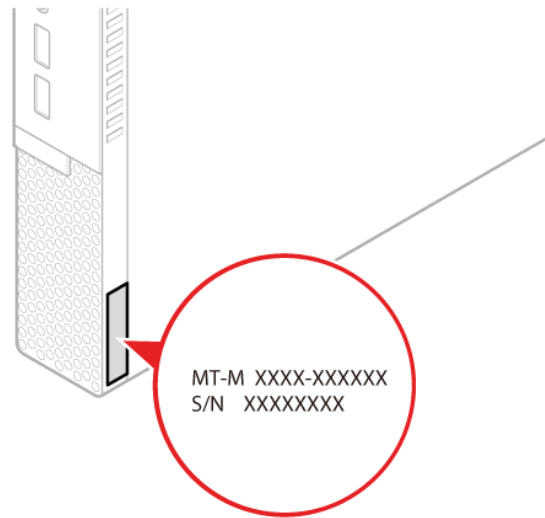


- ① Serial connector 1
- ② Serial connector 2
- ③ USB 3.0 connector
- ④ Storage drive fan connector
- ⑤ Microprocessor socket
- ⑥ Coin-cell battery
- ⑦ Illuminated red dot connector
- ⑧ Internal speaker or advanced speaker connector
- ⑨ System fan connector
- ⑩ SATA storage drive connector
- ⑪ M.2 Wi-Fi card slot
- ⑫ Memory slot (DIMM1)
- ⑬ Memory slot (DIMM2)
- ⑭ M.2 storage drive slot

Machine type and model label

The machine type and model label identifies your computer. When you contact Lenovo for help, the machine type and model information helps support technicians to identify your computer and provide faster service.

The machine type and model label is attached on the side of your computer as shown.



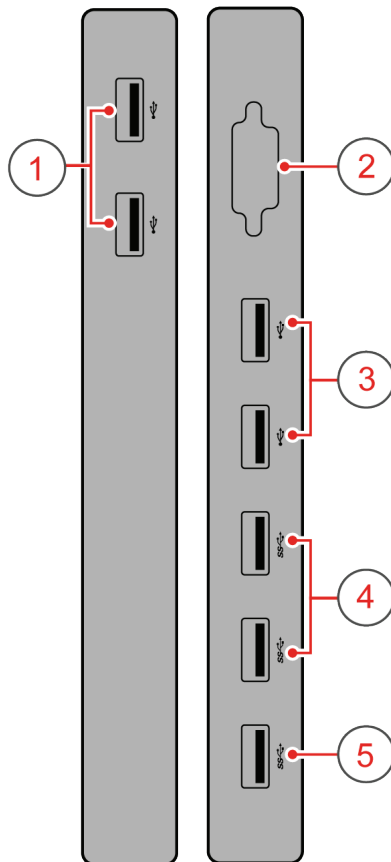
I/O box

Overview



Note

Depending on your computer model, the I/O box might be optional.



- ① USB 2.0 connectors (2)
- ② Serial connector (optional)
- ③ USB 2.0 connectors (2)
- ④ USB 3.0 connectors (2)
- ⑤ USB 3.0 connector
(for connecting to the computer)

Using the I/O box

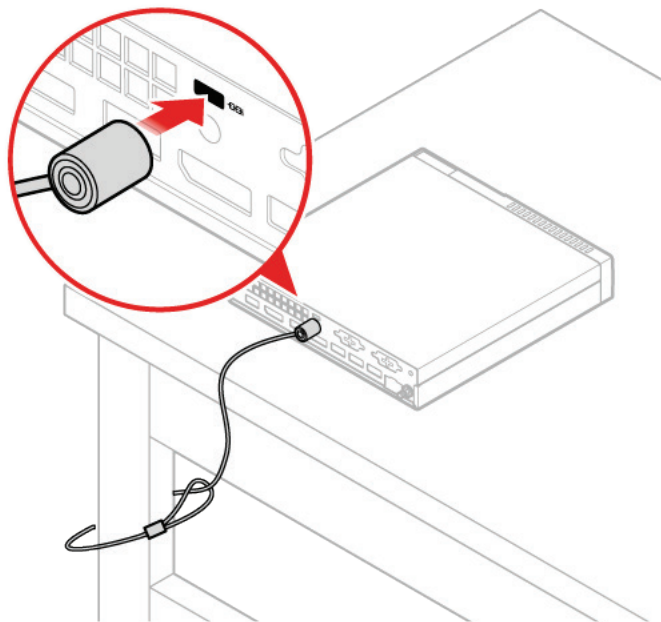
When you use the I/O box with the ThinkCentre tiny computer, note the following:

- The I/O box supports a maximum current rating of 5 A. It is recommended that you connect low-current devices to the I/O box and connect high-current devices directly to the ThinkCentre tiny computer to ensure the best performance of the devices.
- The USB 2.0 connectors and USB 3.0 connectors on the I/O box provide a current of 500 mA and 900 mA current, respectively. When you connect a high-current storage drive to only one USB connector, the system might not recognize the device. You can connect the storage drive to two USB connectors on the I/O box.
- The serial connector does not support hot swapping. Do not connect a device to the connector or remove a device from the connector while the system is running.
- The connectors on the I/O box cannot be enabled or disabled individually. To enable or disable any of the connectors on the I/O box, enable or disable the USB connectors on the rear of the computer.
- The I/O box enables you to wake up the computer from standby mode through operations on devices connected to the I/O box connectors.

Computer locks

Attaching a Kensington-style cable lock

You can use a Kensington-style cable lock to secure your computer to a desk, table, or other nonpermanent fixture. The cable lock connects to the security-lock slot at the rear of your computer. Depending on the type selected, the cable lock can be operated with a key or combination. The cable lock also locks the buttons used to open the computer cover. This is the same type of lock used with many notebook computers. You can order such a cable lock directly from Lenovo by searching for Kensington at: <http://www.lenovo.com/support>.



Specifications

Power supply	<ul style="list-style-type: none">• 65 watt automatic voltage-sensing power supply• 90 watt automatic voltage-sensing power supply (optional)
---------------------	--

Storage drives	Up to two storage drives
-----------------------	--------------------------

Video features	The integrated graphics card supports the following: <ul style="list-style-type: none">• DisplayPort connectors
-----------------------	---

Audio features	The integrated audio card supports the following: <ul style="list-style-type: none">• Advanced speaker (optional)• Headset connector• Internal speaker• Microphone connector
-----------------------	---

Input/Output (I/O) features	<ul style="list-style-type: none">• Audio connectors (headset and microphone)• DisplayPort connectors• Ethernet connector• Serial connectors (optional)• USB connectors
------------------------------------	---

Expansion	<ul style="list-style-type: none">• External I/O box (optional)• External optical drive box (optional)• Memory slots
------------------	--

Network features	<ul style="list-style-type: none">• Ethernet LAN• Wireless LAN (optional)• Bluetooth (optional)
-------------------------	---

Physical dimensions	<ul style="list-style-type: none">• Width: 35 mm (1.4 inches)• Height: 183 mm (7.2 inches)• Depth: 179 mm (7.1 inches)
----------------------------	--

Weight (without the package)	<ul style="list-style-type: none">• Maximum configuration as shipped: 1.3 kg (2.9 lb)
---	---

Replacing hardware

Before replacing hardware



Attention

Do not open your computer or attempt any repairs before reading the *Important Product Information Guide*.

Read these notes before replacing hardware:

- Some of the hardware components explained in this manual are optional.
- Use computer components provided only by Lenovo.
- When installing or replacing an option, use the appropriate instructions explained in this manual along with the instructions that come with the option.
- In most areas of the world, Lenovo requires the return of defective CRUs (Customer Replaceable Units). Information about this will come with the CRU or will come a few days after the CRU arrives.

Handling static-sensitive devices

Do not open the static-protective package containing the new component until the defective component has been removed and you are ready to install the new component. Static electricity, although harmless to you, can seriously damage computer components.

When you handle parts and other computer components, take these precautions to avoid static damage:

- Limit your movement. Movement can cause static electricity to build up around you.
- Always handle parts and other computer components carefully. Handle PCI/PCI-Express cards, memory modules, system boards, and microprocessors by the edges. Never touch any exposed circuitry.
- Prevent others from touching the parts and other computer components.
- Touch the static-protective package containing the part to a metal expansion-slot cover or other unpainted metal surface on the computer for at least two seconds. This reduces static electricity from the package and your body before you install or replace a new part.
- When possible, remove the new part from the static-protective package, and install it directly in the computer without setting the part down. When this is not possible, place the static-protective package that the part came in on a smooth, level surface and place the part on the package.
- Do not place the part on the computer cover or other metal surface.

Knowing replaceable parts

Customer-Replaceable Units (CRUs)

CRUs are computer parts that a user can upgrade or replace. There are two types of CRUs: self-service and optional-service.

Self-service CRUs

You can install self-service CRUs easily. These CRUs might be standalone, latched, or secured by up to two screws.

Examples of self-service CRUs include the keyboard, mouse, any USB device, and the power cord. Other self-service CRUs might include memory modules, adapter cards, hard disk drives, and optical drives.



Note

Users are responsible for replacing all self-service CRUs.

Optional-service CRUs

Handling optional-service CRUs requires some technical skills and simple tools (such as a screwdriver).

These CRUs are isolated parts within the computer. They are usually concealed by an access panel that is secured by more than two screws. You must remove the screws and panel to access the specific CRU.

Optional-service CRUs can be removed and installed by users or, during the warranty period, by a Lenovo service technician.

Field-Replaceable Units (FRUs)

FRUs are computer parts that a trained technician can upgrade or replace.

For detailed FRU information, such as the FRU part numbers and supported computer models, go to: <http://www.lenovo.com/serviceparts-lookup>

CRUs and FRUs locations

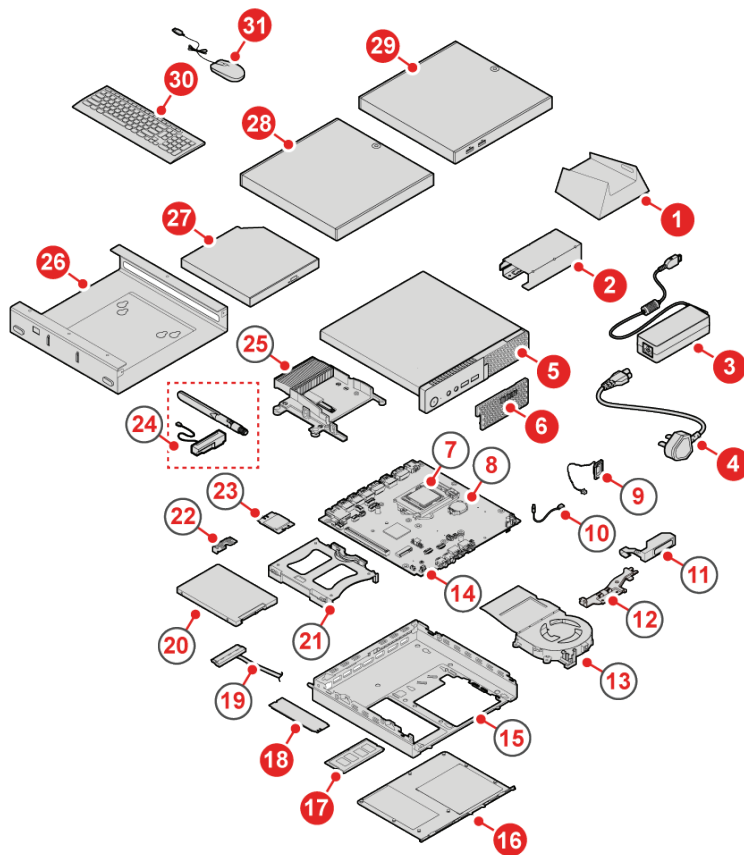
Refer to the following illustrations to check the locations of CRUs and FRUs within the computer.



Note

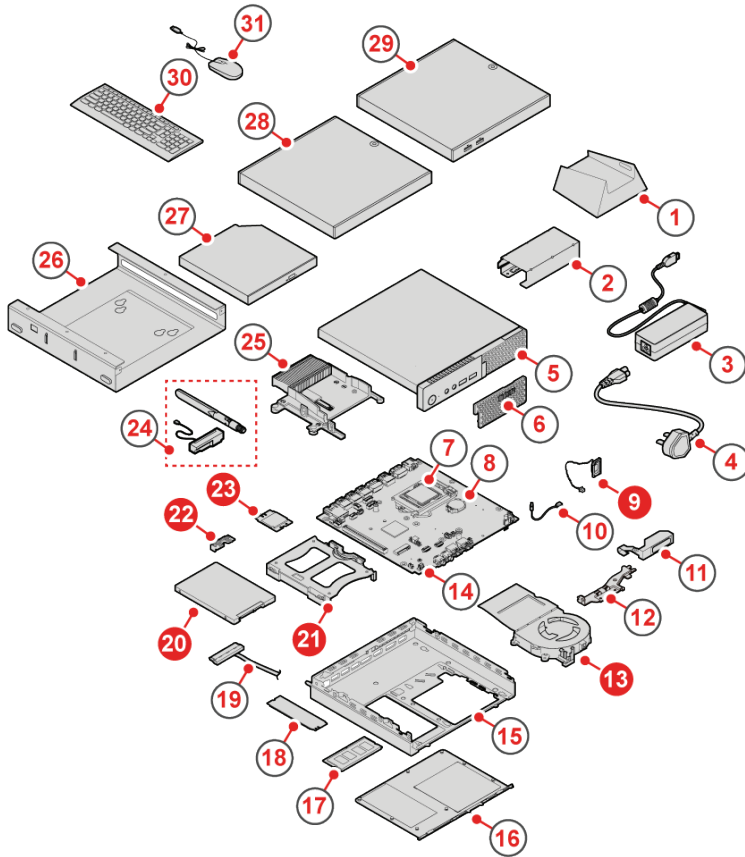
Some of the following parts are optional on some models.

Self-service CRU



- 1 Vertical stand [p. 23](#)
- 2 Power adapter bracket [p. 27](#)
- 3 Power adapter [p. 22](#)
- 4 Power cord [p. 22](#)
- 5 Computer cover [p. 28](#)
- 6 Dust shield [p. 28](#)
- 16 Bottom cover [p. 34](#)
- 17 Memory module [p. 35](#)
- 18 M.2 storage drive [p. 36](#)
- 26 VESA® mount bracket [p. 24](#)
- 27 External optical drive [p. 25](#)
- 28 External optical drive box [p. 25](#)
- 29 External I/O box [p. 26](#)
- 30 Keyboard or wireless keyboard [p. 19](#)
- 31 Mouse or wireless mouse [p. 20](#)

Optional-service CRU



9 Internal speaker [p. 30](#)

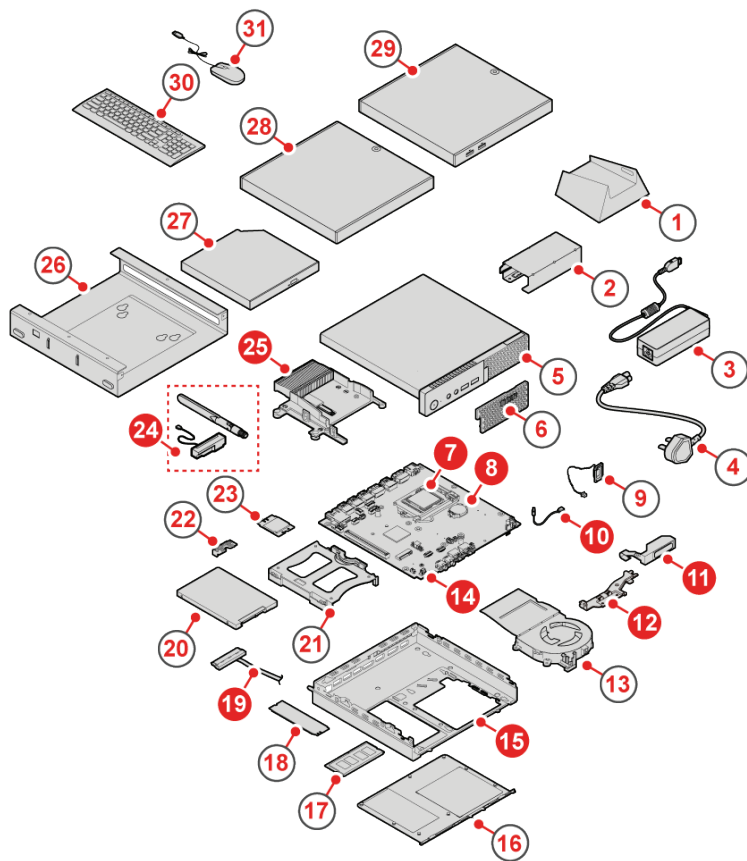
13 System fan [p. 31](#)

20 Storage drive [p. 29](#)

21 Storage drive bracket [p. 29](#)

22 Wi-Fi card shield [p. 32](#)

23 Wi-Fi card [p. 32](#)



- 7** Microprocessor [p. 46](#)

- 8** Coin-cell battery [p. 48](#)

- 10** Illuminated red dot cable [p. 40](#)

- 11** Advanced speaker [p. 41](#)

- 12** Antenna bracket [p. 50](#)

- 14** System board [p. 50](#)

- 15** Chassis [p. 50](#)

- 19** Storage drive cable [p. 44](#)

- 24** Wi-Fi antennas [p. 42](#)

- 25** Heat sink [p. 45](#)

Replacing CRUs

Before replacing CRUs

Customer Replaceable Units (CRUs) are computer parts that a user can upgrade or replace. There are two types of CRUs: self-service and optional-service.

To check the locations of CRUs, see [CRUs and FRUs locations](#).



Attention

Do not open your computer or attempt any repairs before reading the *Important Product Information Guide*.

Before replacing a CRU, click the illustration of the part to check the brief procedures.

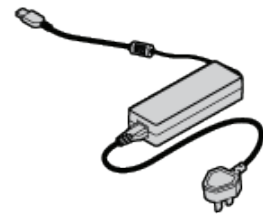
Keyboard or wireless keyboard



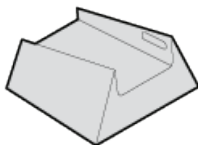
Mouse or wireless mouse



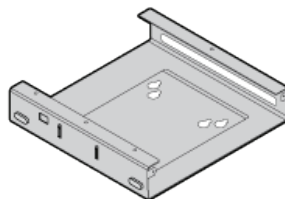
Power adapter



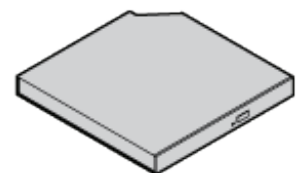
Vertical stand



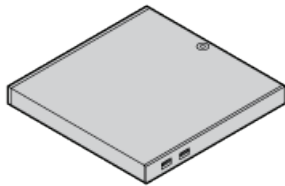
VESA mount bracket



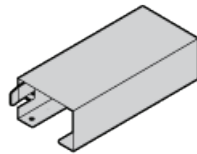
External optical drive



External I/O box



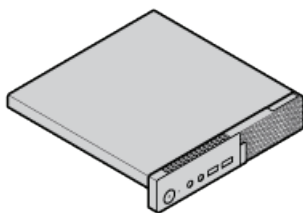
Power adapter bracket



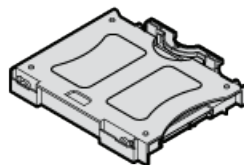
Dust shield



Computer cover



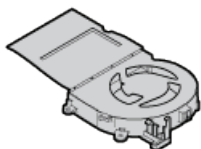
Storage drive



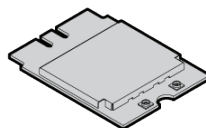
Internal speaker



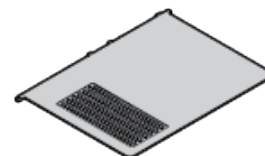
System fan



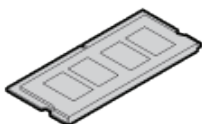
Wi-Fi card



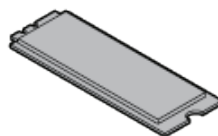
Bottom cover



Memory module



M.2 storage drive



Note

To replace a component that is not in the list above, contact a Lenovo service technician. The support phone numbers are available at <http://www.lenovo.com/support/phone>.

Replacing the keyboard or wireless keyboard

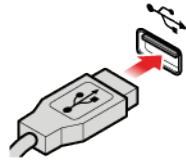


Note

The wireless keyboard is available only on some models.

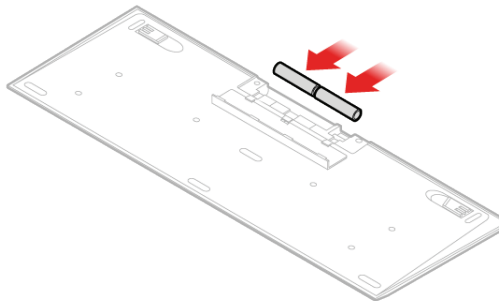
Replacing the keyboard

- 1 Disconnect the old keyboard cable from the computer.
- 2 Connect a new keyboard to the appropriate connector on the computer.



Replacing the wireless keyboard

- 1 Remove your old wireless keyboard.
- 2 Take out the new wireless keyboard from the package.
- 3 Open the battery compartment cover, and install two AAA batteries according to the polarity indicators.



- 4 Remove the USB dongle from the keyboard compartment or from the wireless mouse compartment and connect it to an available USB connector on the computer.
- 5 Close the compartment cover. The keyboard is ready for use.

Replacing the mouse or wireless mouse

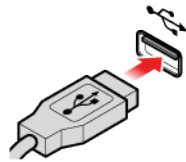


Note

The wireless mouse is available only on some models.

Replacing the mouse

- 1 Turn off the computer and disconnect all power cords from electrical outlets.
- 2 Disconnect the old mouse cable from the computer.
- 3 Connect a new mouse to the appropriate connector on the computer.

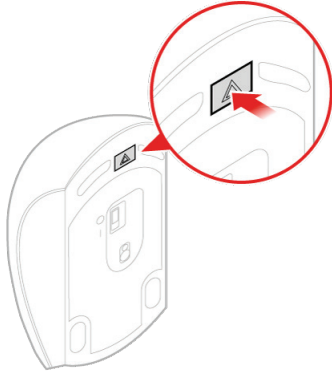


Replacing the wireless mouse

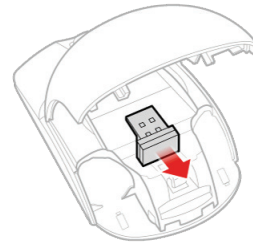
- 1 Disconnect the USB dongle from your computer. Then, remove your old wireless mouse.
- 2 Remove the new wireless mouse from the package.

3 Replace the wireless mouse.

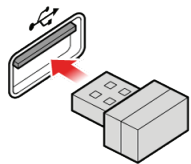
1



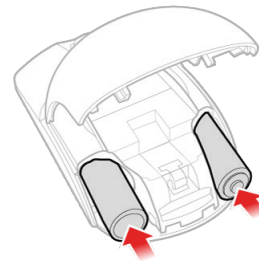
2



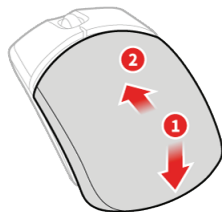
3



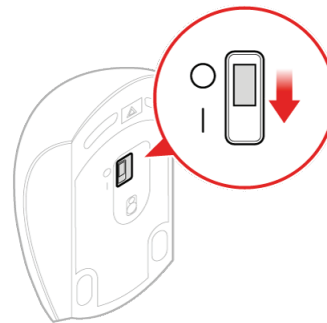
4



5



6



Note

- The green LED indicates that the mouse is ready for use.
- The flashing amber LED indicates a low battery level.
- Push the power switch to the off position when you are not using the mouse to extend the battery life.
- After disconnecting the USB dongle from your computer, store it in the wireless mouse compartment or in the wireless keyboard compartment.

Replacing the power adapter



Attention

Do not open your computer or attempt any repairs before reading the *Important Product Information Guide*.

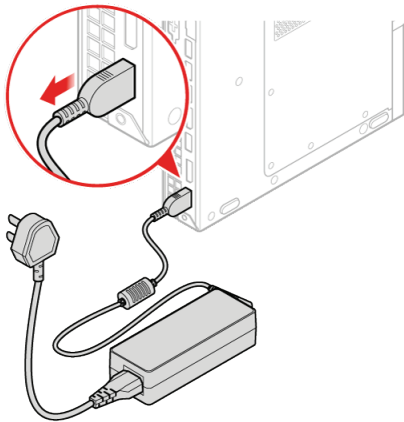
- 1 Remove any media from the drives and turn off all connected devices and the computer.
- 2 Disconnect all power cords from electrical outlets and disconnect all cables that are connected to the computer.
- 3 Replace the power adapter.



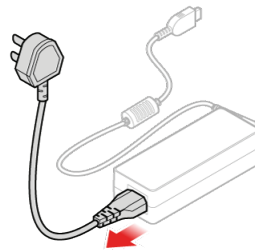
Note

Your power cord might look different from the one illustrated.

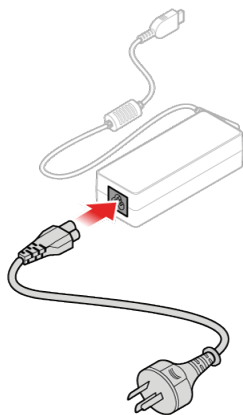
1



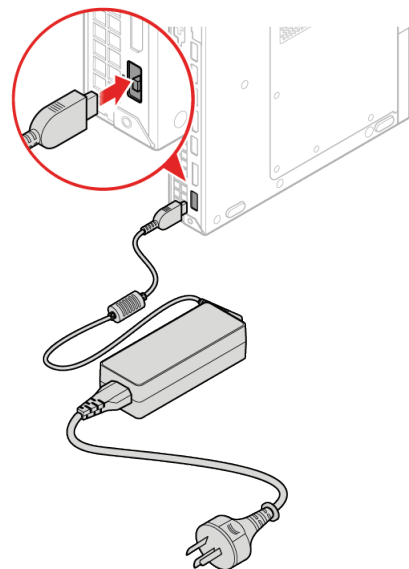
2



3



4



Replacing the vertical stand

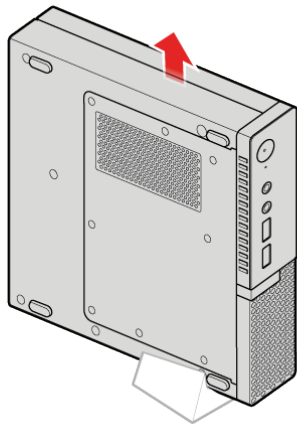


Attention

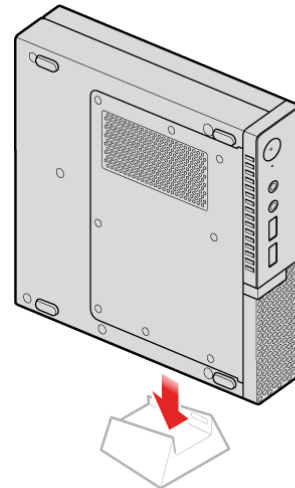
Do not open your computer or attempt any repairs before reading the *Important Product Information Guide*.

- 1 Remove any media from the drives and turn off all connected devices and the computer.
- 2 Disconnect all power cords from electrical outlets and disconnect all cables that are connected to the computer.
- 3 Replace the vertical stand.

1



2



Replacing the VESA mount bracket

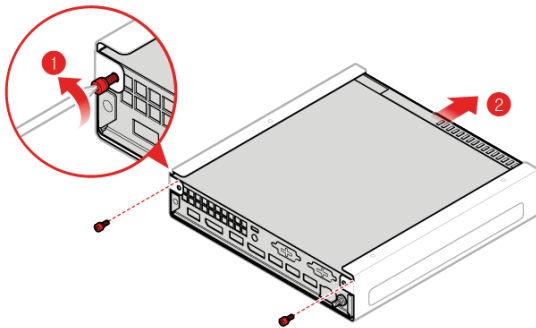


Attention

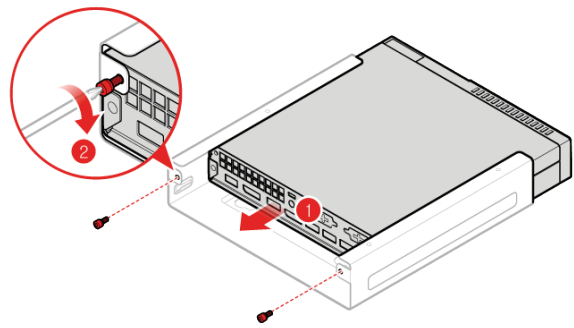
Do not open your computer or attempt any repairs before reading the *Important Product Information Guide*.

- 1 Remove any media from the drives and turn off all connected devices and the computer.
- 2 Disconnect all power cords from electrical outlets and disconnect all cables that are connected to the computer.
- 3 Replace the VESA mount bracket.

1



2



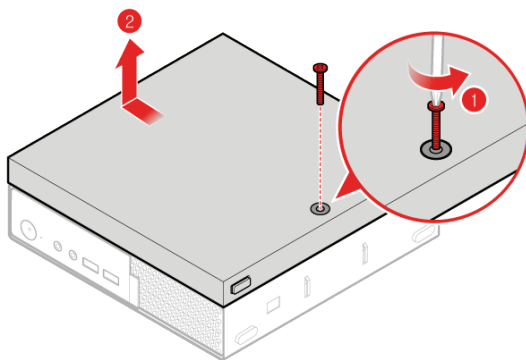
Replacing the external optical drive box

! Attention

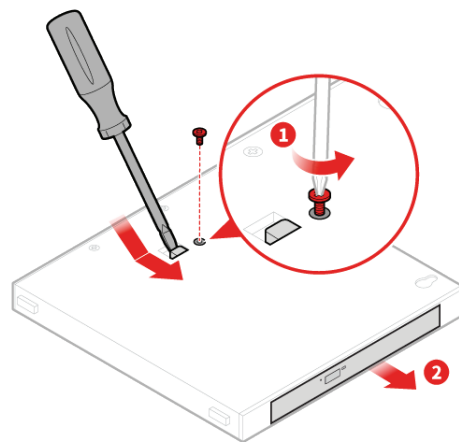
Do not open your computer or attempt any repairs before reading the *Important Product Information Guide*.

- 1 Remove any media from the drives and turn off all connected devices and the computer.
- 2 Disconnect all power cords from electrical outlets and disconnect all cables that are connected to the computer.
- 3 Replace the external optical drive box.

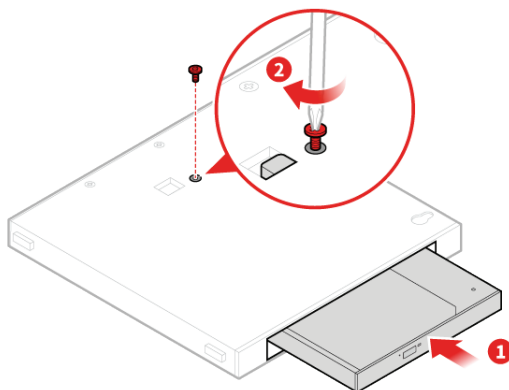
1



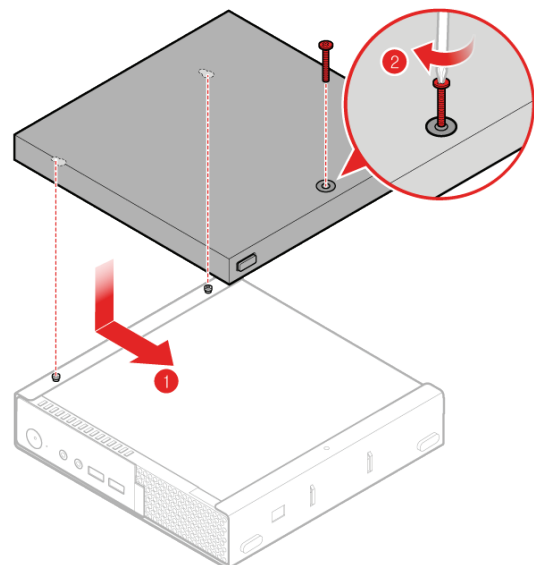
2



3



4



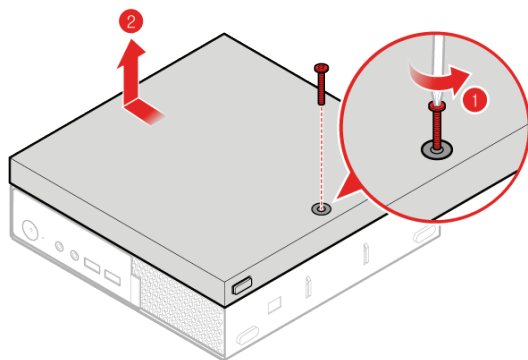
Replacing the external I/O box

⚠ Attention

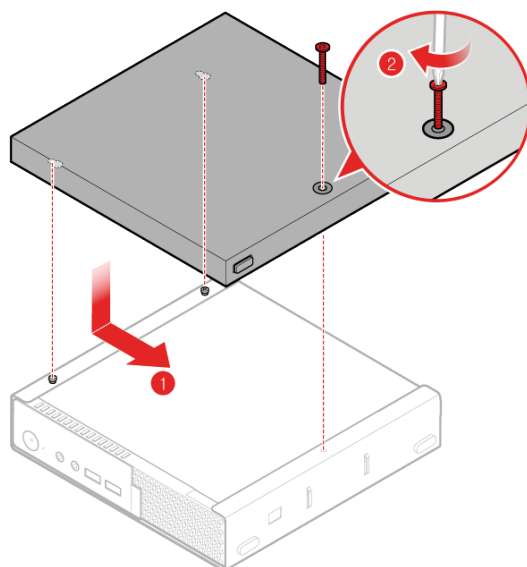
Do not open your computer or attempt any repairs before reading the *Important Product Information Guide*.

- 1 Remove any media from the drives and turn off all connected devices and the computer.
- 2 Disconnect all power cords from electrical outlets and disconnect all cables that are connected to the computer and the external I/O box.
- 3 Replace the external I/O box.

①



②



Replacing the power adapter bracket

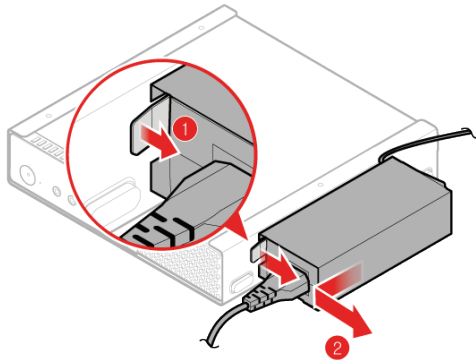


Attention

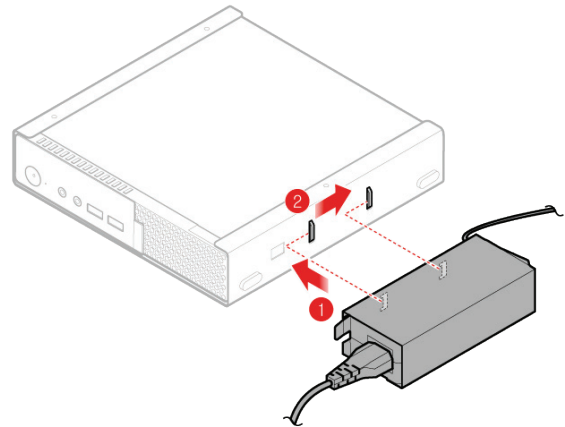
Do not open your computer or attempt any repairs before reading the *Important Product Information Guide*.

- 1 Remove any media from the drives and turn off all connected devices and the computer.
- 2 Disconnect all power cords from electrical outlets and disconnect all cables that are connected to the computer.
- 3 Replace the power adapter bracket.

1



2



Removing the computer cover and dust shield



Note

The dust shield is available only on some models.

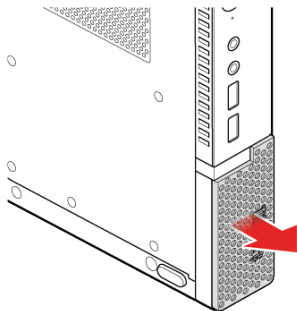


Attention

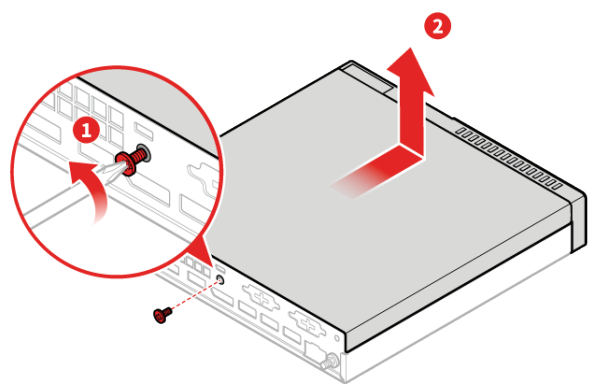
Do not open your computer or attempt any repairs before reading the *Important Product Information Guide*.

- 1 Remove any media from the drives and turn off all connected devices and the computer.
- 2 Disconnect all power cords from electrical outlets and disconnect all cables that are connected to the computer.
- 3 Remove the computer cover and dust shield.

1



2

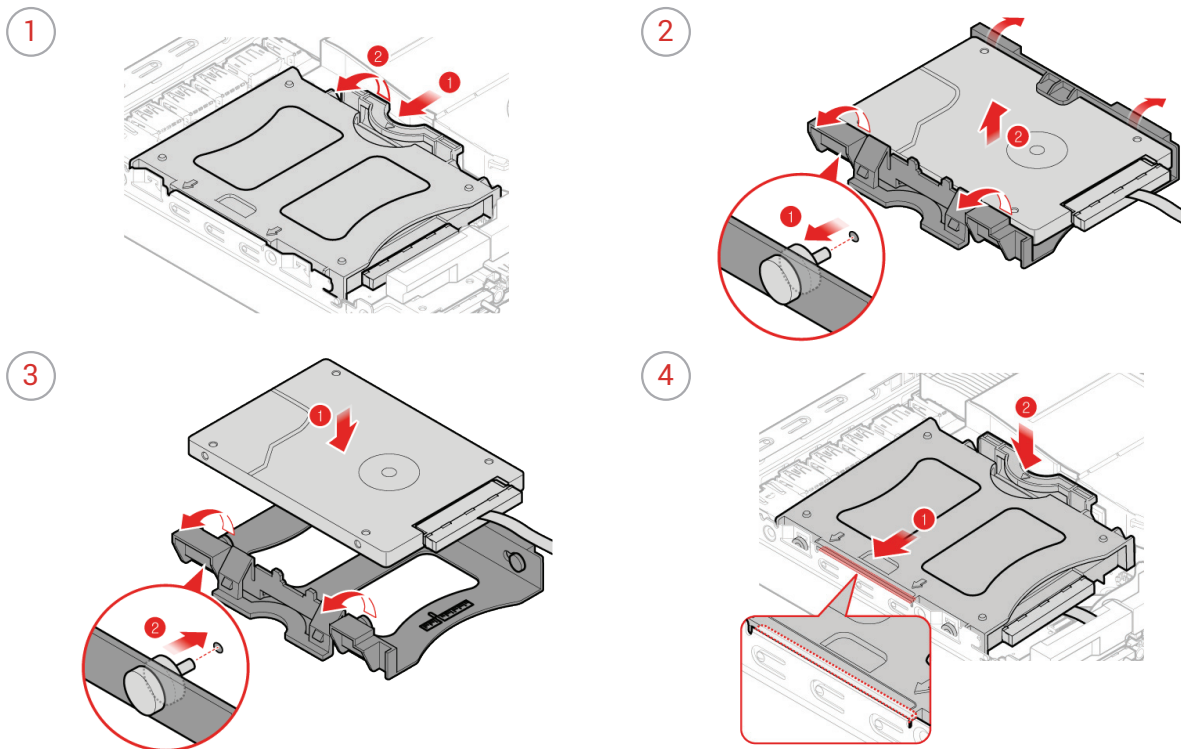


Replacing the storage drive

⚠ Attention

Do not open your computer or attempt any repairs before reading the *Important Product Information Guide*.

- 1 Remove any media from the drives and turn off all connected devices and the computer.
- 2 Disconnect all power cords from electrical outlets and disconnect all cables that are connected to the computer.
- 3 If your computer is installed with a front Wi-Fi antenna, disconnect the front Wi-Fi antenna cable from the Wi-Fi card.
- 4 Remove the computer cover. For details, see [Removing the computer cover and dust shield](#).
- 5 Disconnect the storage drive cables from the system board.
- 6 Replace the storage drive.



- 7 Connect the storage drive cables to the system board.
- 8 Reinstall the computer cover and reconnect the cables. For details, see [Completing the parts replacement](#).

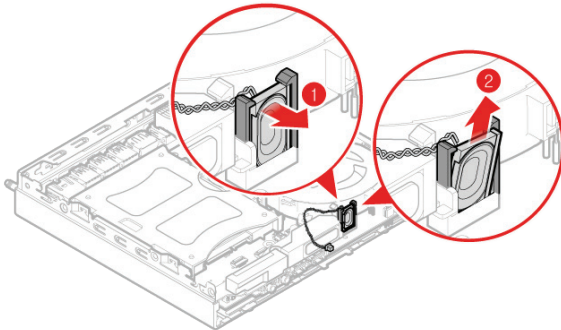
Replacing the internal speaker

⚠ Attention

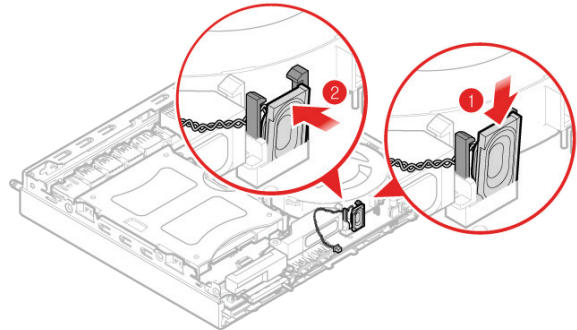
Do not open your computer or attempt any repairs before reading the *Important Product Information Guide*.

- 1 Remove any media from the drives and turn off all connected devices and the computer.
- 2 Disconnect all power cords from electrical outlets and disconnect all cables that are connected to the computer.
- 3 Remove the computer cover. For details, see [Removing the computer cover and dust shield](#).
- 4 Disconnect the internal speaker cable from the internal speaker connector on the system board.
- 5 Replace the internal speaker.

①



②



- 6 Connect the internal speaker cable to the internal speaker connector on the system board.
- 7 Reinstall the computer cover and reconnect the cables. For details, see [Completing the parts replacement](#).

Replacing the system fan

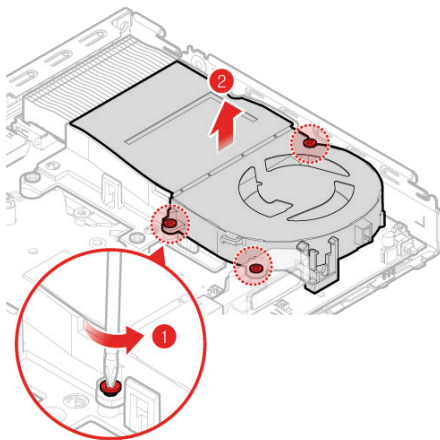


Attention

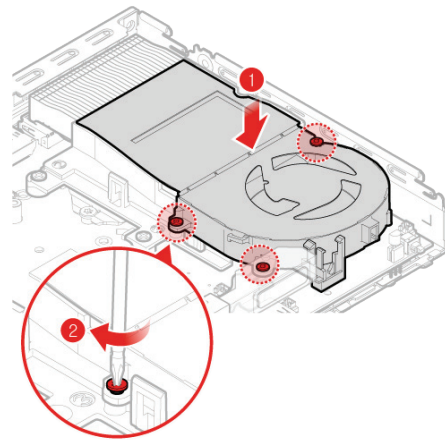
Do not open your computer or attempt any repairs before reading the *Important Product Information Guide*.

- 1 Remove any media from the drives and turn off all connected devices and the computer.
- 2 Disconnect all power cords from electrical outlets and disconnect all cables that are connected to the computer.
- 3 Remove the computer cover. For details, see [Removing the computer cover and dust shield](#).
- 4 Remove the storage drive. For details, see [Replacing the storage drive](#).
- 5 Remove the internal speaker. For details, see [Replacing the internal speaker](#).
- 6 Release the illuminated red dot cable from the system fan.
- 7 Disconnect the system fan cable from the system fan connector on the system board.
- 8 Replace the system fan.

1



2



- 9 Connect the system fan cable to the system fan connector on the system board.
- 10 Install the illuminated red dot cable to the new system fan.
- 11 Reinstall the computer cover and reconnect the cables. For details, see [Completing the parts replacement](#).

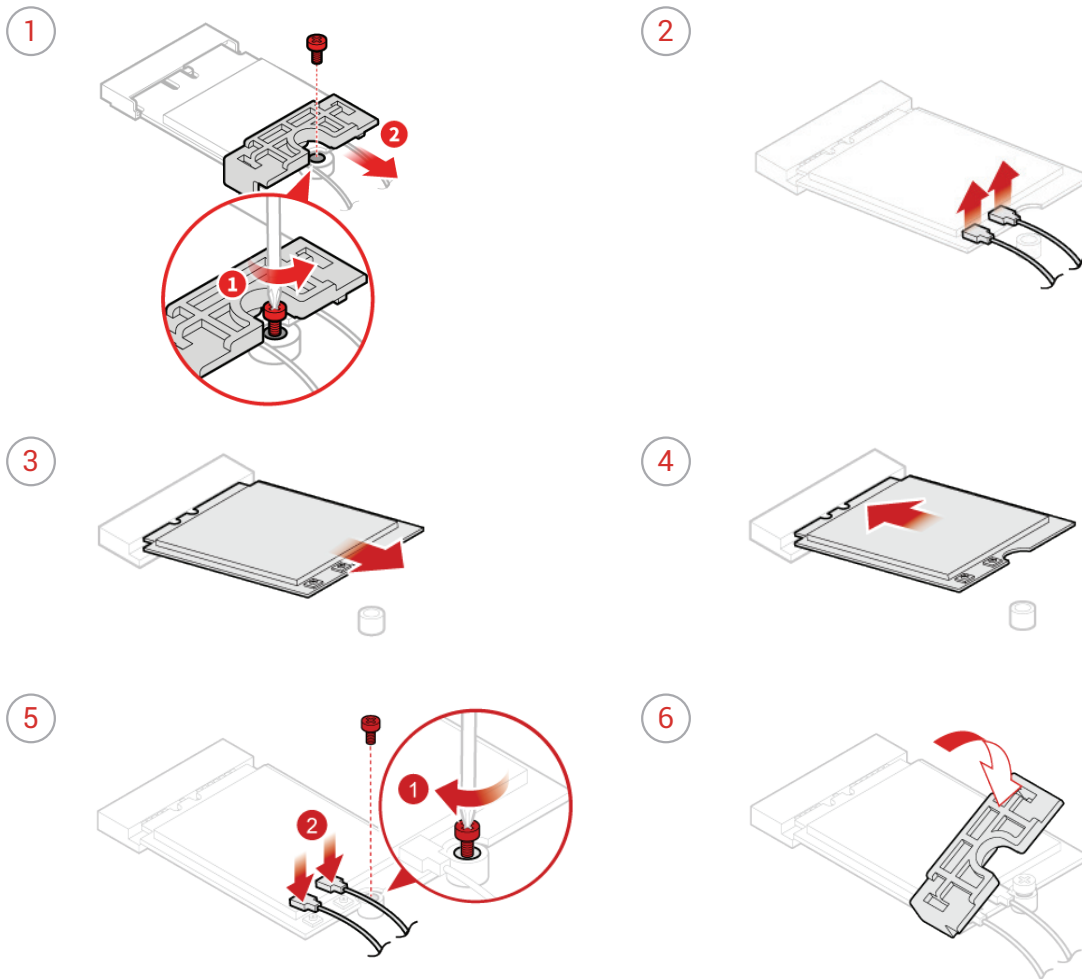
Replacing the Wi-Fi card

! Attention

Do not open your computer or attempt any repairs before reading the *Important Product Information Guide*.

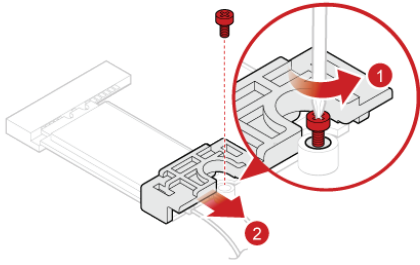
- 1 Remove any media from the drives and turn off all connected devices and the computer.
- 2 Disconnect all power cords from electrical outlets and disconnect all cables that are connected to the computer.
- 3 Remove the computer cover. For details, see [Removing the computer cover and dust shield](#).
- 4 Remove the storage drive. For details, see [Replacing the storage drive](#).
- 5 Depending on your computer model, refer to one of the following to replace the Wi-Fi card.

- Type 1

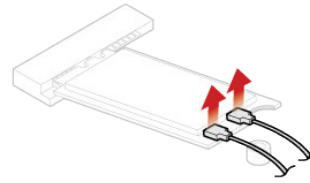


• Type 2

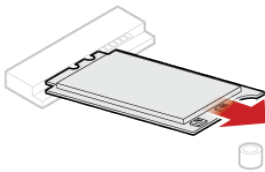
1



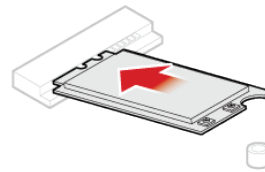
2



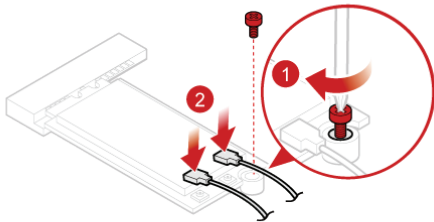
3



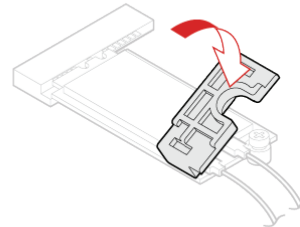
4



5



6



6 Reinstall the computer cover and reconnect the cables. For details, see [Completing the parts replacement.](#)

Replacing the bottom cover

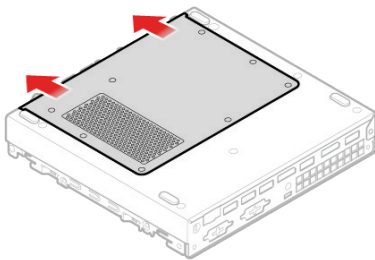


Attention

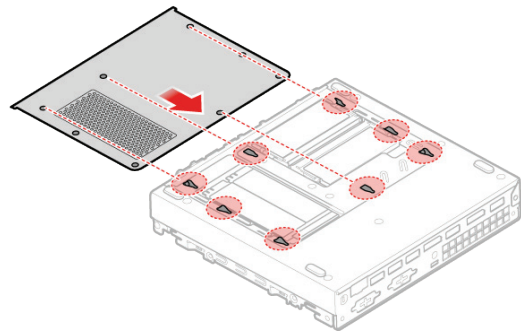
Do not open your computer or attempt any repairs before reading the *Important Product Information Guide*.

- 1 Remove any media from the drives and turn off all connected devices and the computer.
- 2 Disconnect all power cords from electrical outlets and disconnect all cables that are connected to the computer.
- 3 Remove the computer cover. For details, see [Removing the computer cover and dust shield](#).
- 4 Replace the bottom cover.

1



2



- 5 Reinstall the computer cover and reconnect the cables. For details, see [Completing the parts replacement](#).

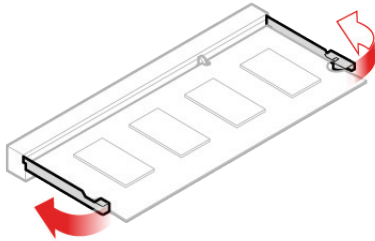
Replacing the memory module

⚠ Attention

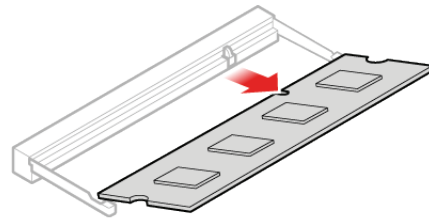
Do not open your computer or attempt any repairs before reading the *Important Product Information Guide*.

- 1 Remove any media from the drives and turn off all connected devices and the computer.
- 2 Disconnect all power cords from electrical outlets and disconnect all cables that are connected to the computer.
- 3 Remove the computer cover. For details, see [Removing the computer cover and dust shield](#).
- 4 Remove the bottom cover. For details, see [Replacing the bottom cover](#).
- 5 Replace the memory module.

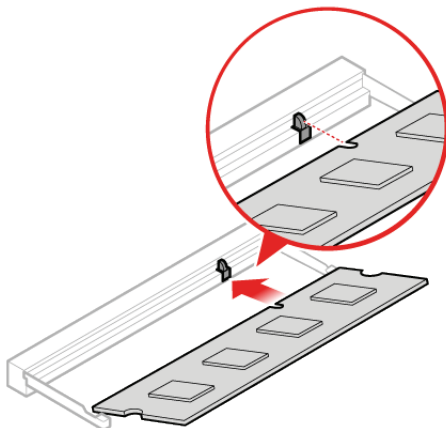
1



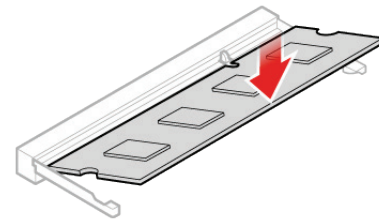
2



3



4



- 6 Reinstall the removed parts and computer cover. For details, see [Completing the parts replacement](#).

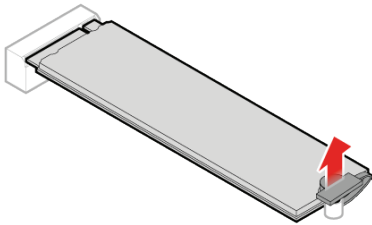
Replacing the M.2 storage drive

⚠ Attention

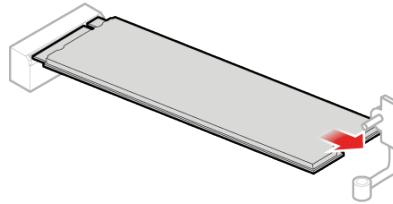
Do not open your computer or attempt any repairs before reading the *Important Product Information Guide*.

- 1 Remove any media from the drives and turn off all connected devices and the computer.
- 2 Disconnect all power cords from electrical outlets and disconnect all cables that are connected to the computer.
- 3 Remove the computer cover. For details, see [Removing the computer cover and dust shield](#).
- 4 Remove the bottom cover. For details, see [Replacing the bottom cover](#).
- 5 Replace the M.2 storage drive.

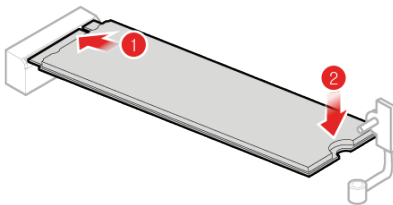
1



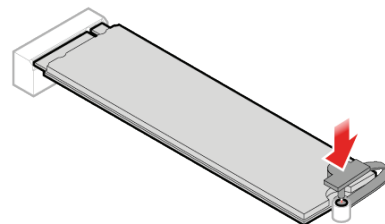
2



3



4



- 6 Reinstall the removed parts and computer cover. For details, see [Completing the parts replacement](#).

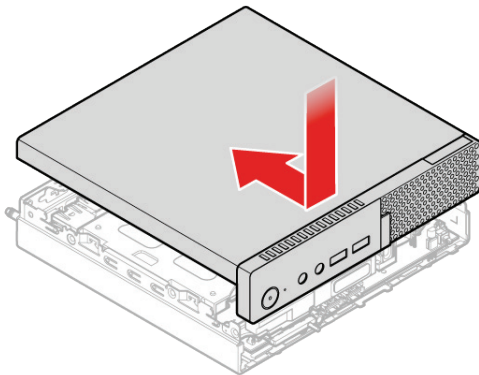
Completing the parts replacement

After completing the installation or replacement for all parts, reinstall the computer cover and reconnect the cables.

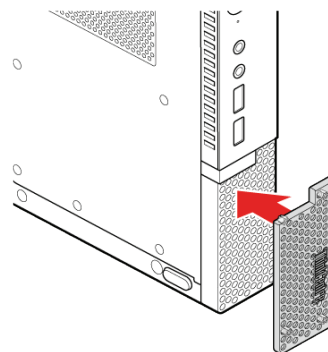
To reinstall the computer cover and reconnect the cables to your computer, do the following:

- 1 Ensure that all components have been reassembled correctly and that no tools or loose screws are left inside your computer. See [System board](#) for the locations of various components in your computer.
- 2 Ensure that the cables are routed correctly before reinstalling the computer cover. Keep cables clear of the hinges and sides of the computer chassis to avoid interference when reinstalling the computer cover.
- 3 Install the computer cover and dust shield.

1



2



- 4 Install the screw to secure the computer cover.
- 5 Place the computer in an upright position.
- 6 If a locking device is available, use it to lock the computer. See [Locking the computer](#).
- 7 Reconnect the external cables and power cords to the corresponding connectors on the computer. See [Front view](#) or [Rear view](#) for the locations of various components in your computer.

Replacing FRUs

Before replacing FRUs

Before replacing any Field Replaceable Units (FRUs), read the following:

- **Only certified and trained personnel can service the computer.**
- **Before replacing an FRU, read the entire section about replacing the part.**
- **Be extremely careful during writing operations such as copying, saving, or formatting.**
The sequence of the drives in the computer that you are servicing might have been altered. If you select an incorrect drive, data or programs might be overwritten.
- **Replace an FRU only with another FRU of the correct model.**
When you replace an FRU, ensure that the model of the machine and the FRU part number are correct by referring to the website <http://www.lenovo.com/serviceparts-lookup>.
- **An FRU should not be replaced because of a single, unreproducible failure.**
Single failures can occur for a variety of reasons that have nothing to do with a hardware defect, such as cosmic radiation, electrostatic discharge, or software errors. Consider replacing an FRU only when a problem recurs. If you suspect that an FRU is defective, clear the error log and run the test again. If the error does not recur, do not replace the FRU.
- **Only replace a defective FRU.**

To check the locations of FRUs, see [CRUs and FRUs locations](#).



Attention

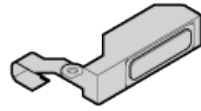
Do not open your computer or attempt any repairs before reading the *Important Product Information Guide*.

Before replacing an FRU, click the illustration of the part to check the brief procedures.

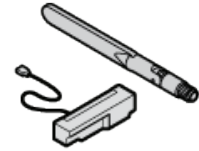
Illuminated red dot cable >



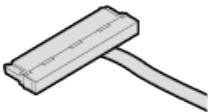
Advanced speaker >



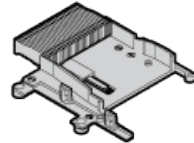
Wi-Fi antennas >



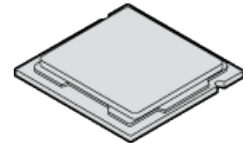
Storage drive cable >



Heat sink >



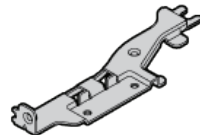
Microprocessor >



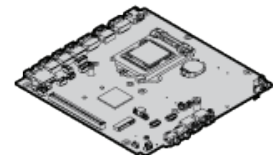
Coin-cell battery >



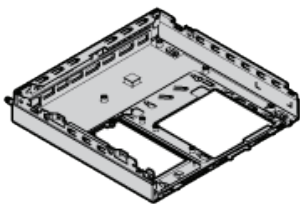
Antenna bracket >



System board >



Chassis >



Note

To replace a component that is not in the list above, contact a Lenovo service technician.

The support phone numbers are available at <http://www.lenovo.com/support/phone>.

Replacing the illuminated red dot cable

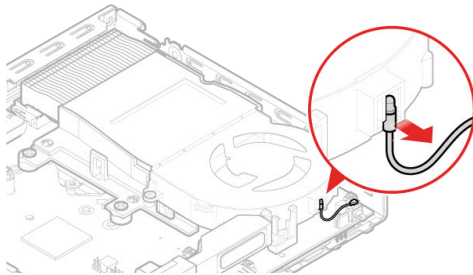


Attention

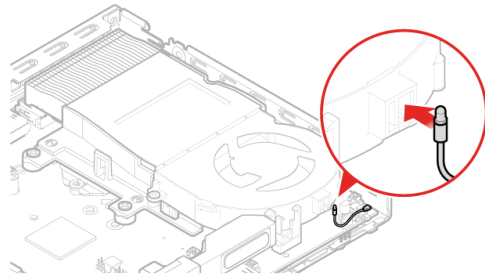
Do not open your computer or attempt any repairs before reading the *Important Product Information Guide*.

- 1 Remove the computer cover. For details, see [Removing the computer cover and dust shield](#).
- 2 Disconnect the illuminated red dot cable from the system board. See [System board](#).
- 3 Replace the illuminated red dot cable.

1



2



- 4 Connect the illuminated red dot cable to the system board. See [System board](#).
- 5 Reinstall the removed parts and computer cover. For details, see [Completing the parts replacement](#).

Replacing the advanced speaker



Note

The advanced speaker is available only on some models.

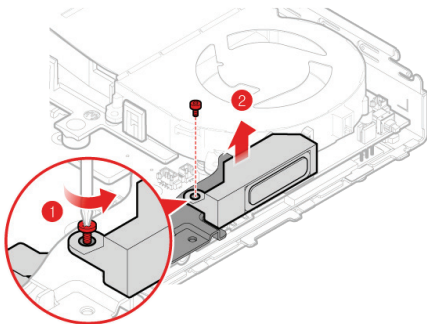


Attention

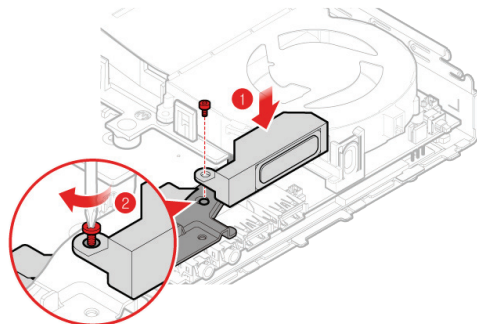
Do not open your computer or attempt any repairs before reading the *Important Product Information Guide*.

- 1 Remove the computer cover. For details, see [Removing the computer cover and dust shield](#).
- 2 Remove the storage drive. For details, see [Replacing the storage drive](#).
- 3 Disconnect the advanced speaker cable from the advanced speaker connector on the system board. See [System board](#).
- 4 Replace the advanced speaker.

1



2



- 5 Connect the advanced speaker cable to the advanced speaker connector on the system board. For details, see [System board](#).
- 6 Reinstall the removed parts and computer cover. For details, see [Completing the parts replacement](#).

Replacing the Wi-Fi antennas



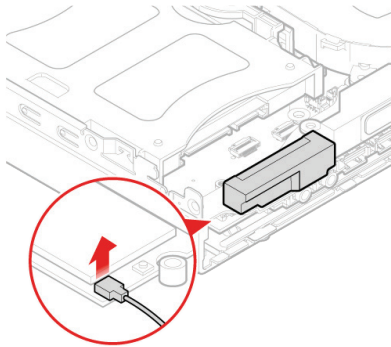
Attention

Do not open your computer or attempt any repairs before reading the *Important Product Information Guide*.

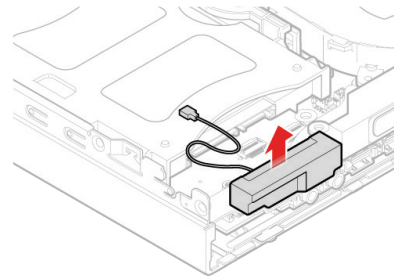
Replacing the front Wi-Fi antenna

- 1 Remove the computer cover. For details, see [Removing the computer cover and dust shield](#).
- 2 Remove the storage drive. For details, see [Replacing the storage drive](#).
- 3 Replace the front Wi-Fi antenna.

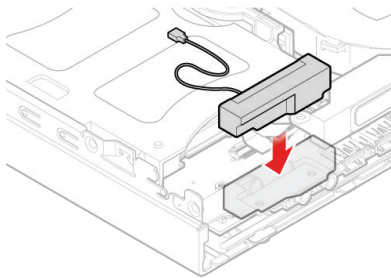
1



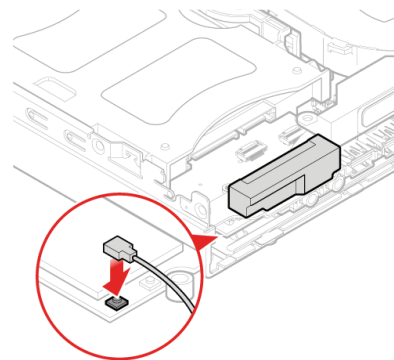
2



3



4



- 4 Reinstall the removed parts and computer cover. For details, see [Completing the parts replacement](#).

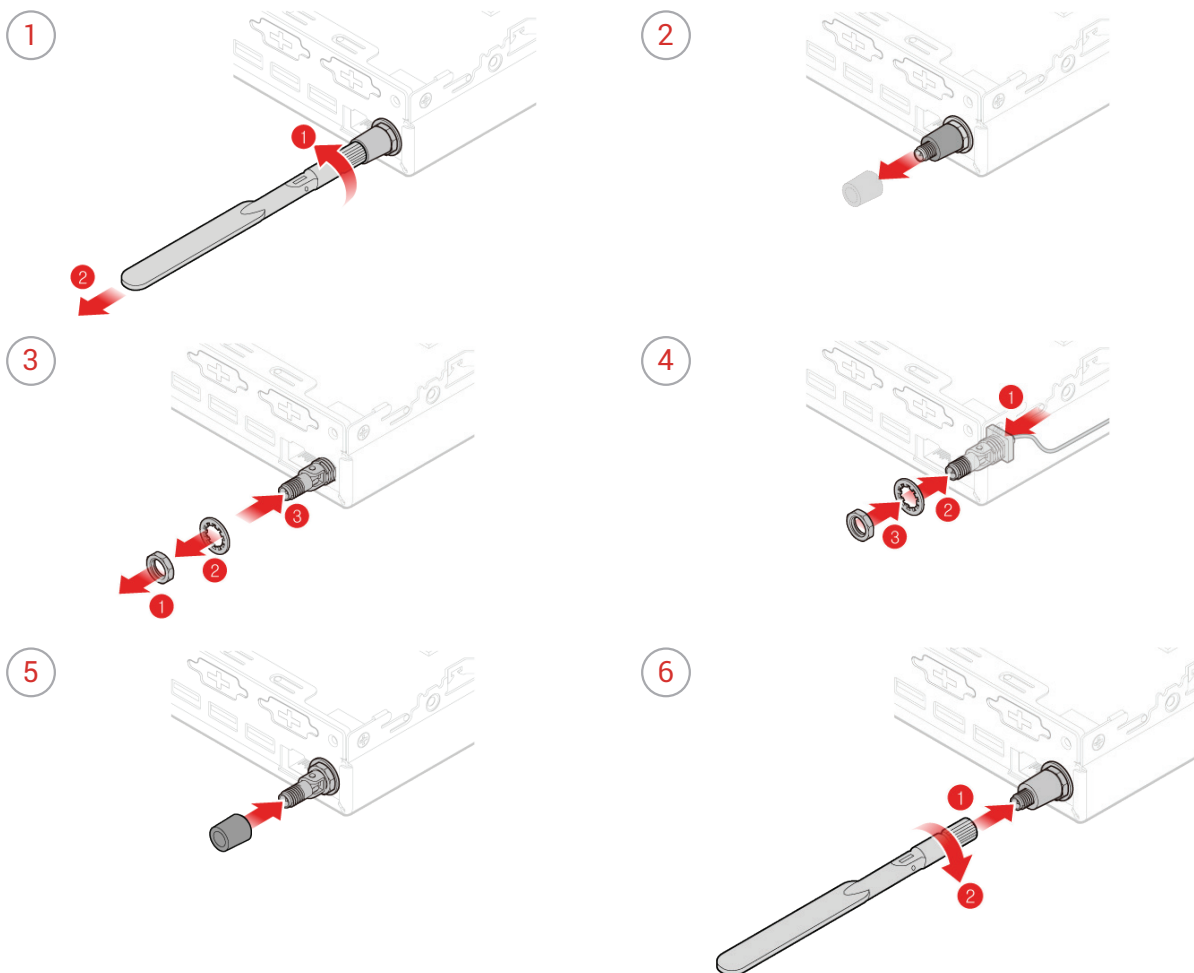
Replacing the rear Wi-Fi antenna

- 1 Remove the computer cover. For details, see [Removing the computer cover and dust shield.](#)
- 2 Remove the storage drive. For details, see [Replacing the storage drive.](#)
- 3 Disconnect the rear Wi-Fi antenna cable from the Wi-Fi card.
- 4 Replace the rear Wi-Fi antenna.



Note

Record the cable routing before removing the rear Wi-Fi antenna cable.



- 5 Connect the rear Wi-Fi antenna cable to the Wi-Fi card.
- 6 Reinstall the removed parts and computer cover. For details, see [Completing the parts replacement.](#)

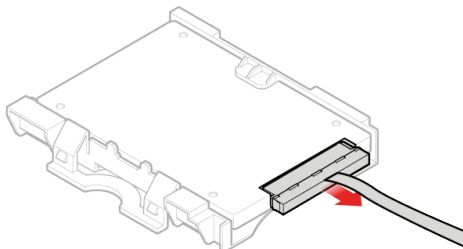
Replacing the storage drive cable

Attention

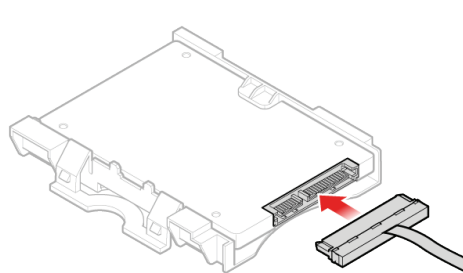
Do not open your computer or attempt any repairs before reading the *Important Product Information Guide*.

- 1 Remove the computer cover. For details, see [Removing the computer cover and dust shield](#).
- 2 Remove the storage drive. For details, see [Replacing the storage drive](#).
- 3 Replace the storage drive cable.

1



2



- 4 Reinstall the removed parts and computer cover. For details, see [Completing the parts replacement](#).

Replacing the heat sink

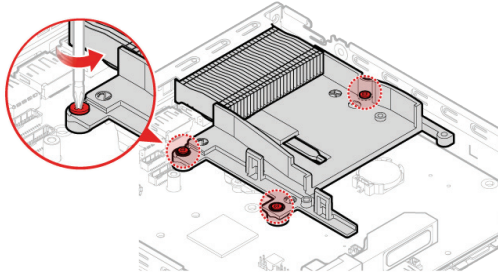


Attention

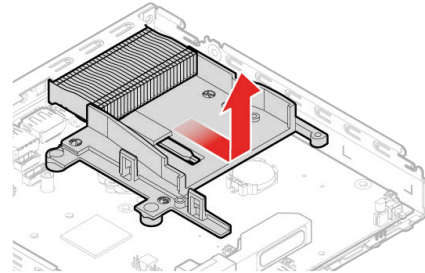
Do not open your computer or attempt any repairs before reading the *Important Product Information Guide*.

- 1 Remove the computer cover. For details, see [Removing the computer cover and dust shield](#).
- 2 Remove the storage drive. For details, see [Replacing the storage drive](#).
- 3 Remove the internal speaker. For details, see [Replacing the internal speaker](#).
- 4 Remove the system fan. For details, see [Replacing the system fan](#).
- 5 Replace the heat sink.

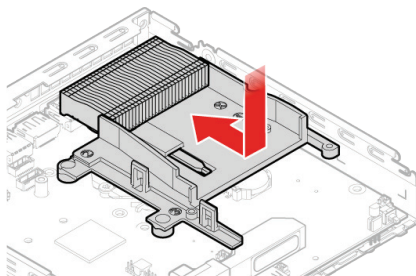
1



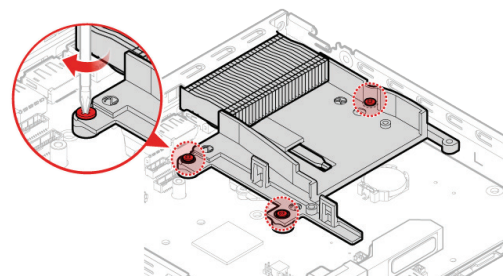
2



3



4



- 6 Reinstall the computer cover and reconnect the cables. For details, see [Completing the parts replacement](#).

Replacing the microprocessor



Attention

Do not open your computer or attempt any repairs before reading the *Important Product Information Guide*.



Caution

The heat sink and microprocessor might be very hot. Before you open the computer cover, turn off the computer and wait several minutes until the computer is cool.

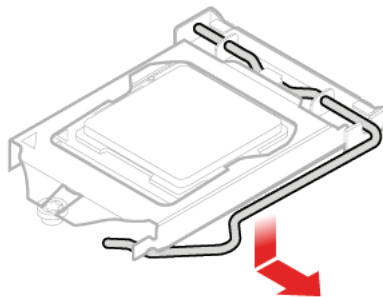
- 1 Remove the computer cover. For details, see [Removing the computer cover and dust shield](#).
- 2 Remove the storage drive. For details, see [Replacing the storage drive](#).
- 3 Remove the internal speaker. For details, see [Replacing the internal speaker](#).
- 4 Remove the system fan. For details, see [Replacing the system fan](#).
- 5 Remove the heat sink. For details, see [Replacing the heat sink](#).
- 6 Replace the microprocessor.



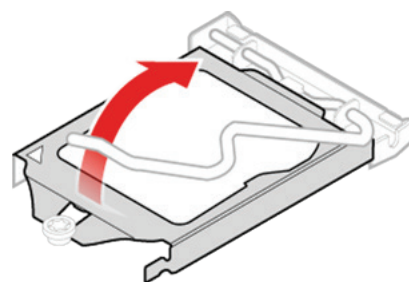
Note

- Your microprocessor and socket might look different from the one illustrated.
- Touch only the edges of the microprocessor. Do not touch the gold contacts on the bottom.
- Do not drop anything onto the microprocessor socket while it is exposed. The socket pins must be kept as clean as possible.

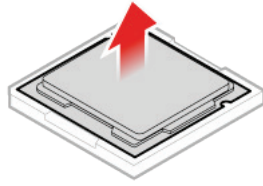
1



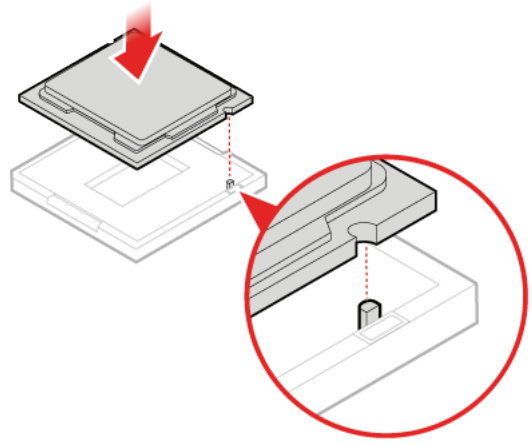
2



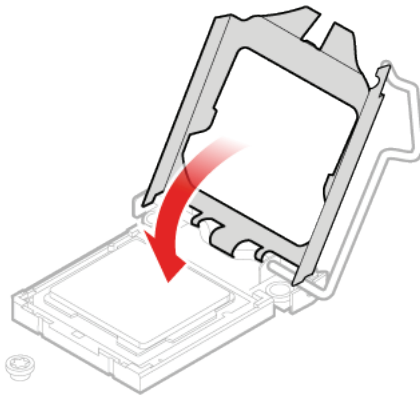
3



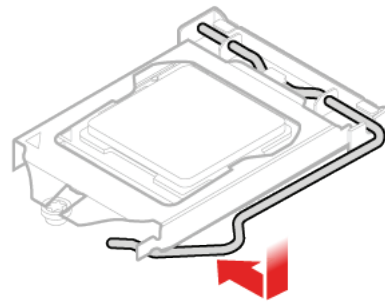
4



5



6



7 Reinstall the removed parts and computer cover. For details, see [Completing the parts replacement.](#)

Replacing the coin-cell battery

Attention

Do not open your computer or attempt any repairs before reading the *Important Product Information Guide*.

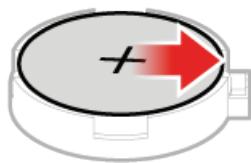
Your computer has a special type of memory that maintains the date, time, and settings for built-in features, such as parallel connector assignments (configurations). A coin-cell battery keeps this information active when you turn off the computer.

The coin-cell battery normally requires no charging or maintenance throughout its life; however, no coin-cell battery lasts forever. If the coin-cell battery fails, the date, time, and configuration information (including passwords) are lost. An error message is displayed when you turn on the computer.

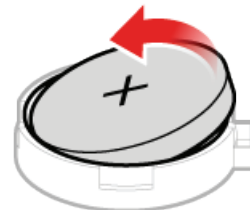
To replace the coin-cell battery,

- 1 Remove the computer cover. For details, see [Removing the computer cover and dust shield](#).
- 2 Remove the storage drive. For details, see [Replacing the storage drive](#).
- 3 Remove the internal speaker. For details, see [Replacing the internal speaker](#).
- 4 Remove the system fan. For details, see [Replacing the system fan](#).
- 5 Remove the heat sink. For details, see [Replacing the heat sink](#).
- 6 Replace the coin-cell battery.

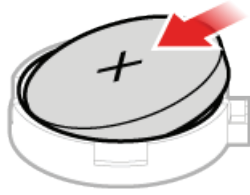
1



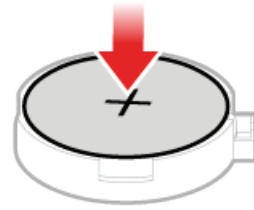
2



3



4



7 Reinstall the removed parts and computer cover. For details, see **Completing the parts replacement.**

To dispose of the coin-cell battery, refer to the "Lithium coin-cell battery notice" topic in the *Safety and Warranty Guide*.

Replacing the antenna bracket, system board, and chassis



Attention

Do not open your computer or attempt any repairs before reading the *Important Product Information Guide*.

- 1 Remove the computer cover. For details, see [Removing the computer cover and dust shield](#).
- 2 Remove the storage drive. For details, see [Replacing the storage drive](#).
- 3 Remove the internal speaker. For details, see [Replacing the internal speaker](#).
- 4 Remove the system fan. For details, see [Replacing the system fan](#).
- 5 Remove the heat sink. For details, see [Replacing the heat sink](#).
- 6 Remove the Wi-Fi card. For details, see [Replacing the Wi-Fi card](#).
- 7 Remove the Wi-Fi antennas. For details, see [Replacing the Wi-Fi antennas](#).
- 8 Remove the microprocessor. For details, see [Replacing the microprocessor](#).
- 9 Remove the bottom cover. For details, see [Replacing the bottom cover](#).
- 10 Remove the memory module. For details, see [Replacing the memory module](#).
- 11 Remove the M.2 storage drive. For details, see [Replacing the M.2 storage drive](#).
- 12 Record the cable routing and cable connections, and then disconnect all cables from the system board. See [System board](#).

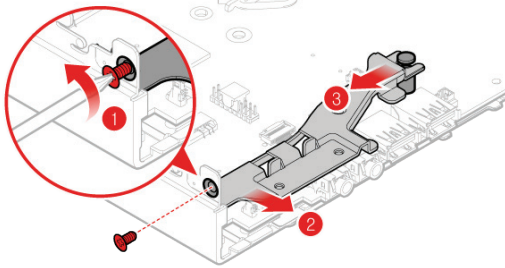
13 Replace the antenna bracket, system board, and chassis.



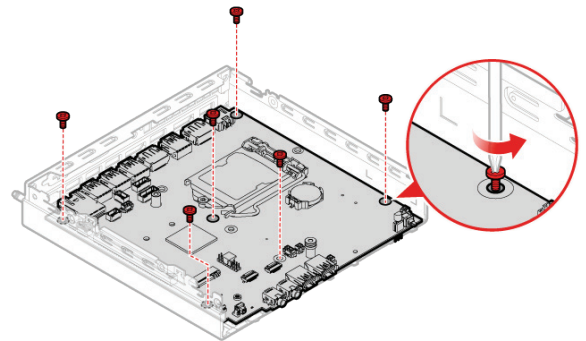
Note

Carefully handle the system board by its edges.

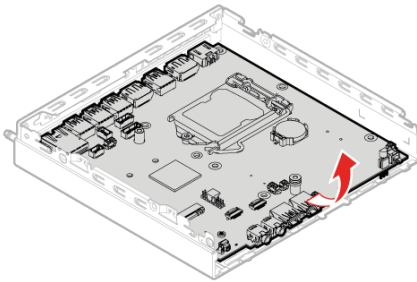
1



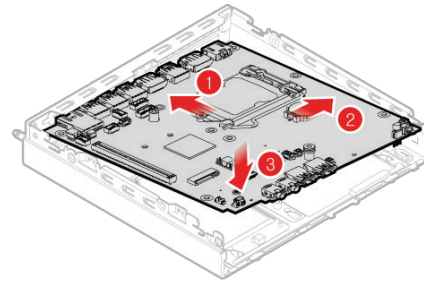
2



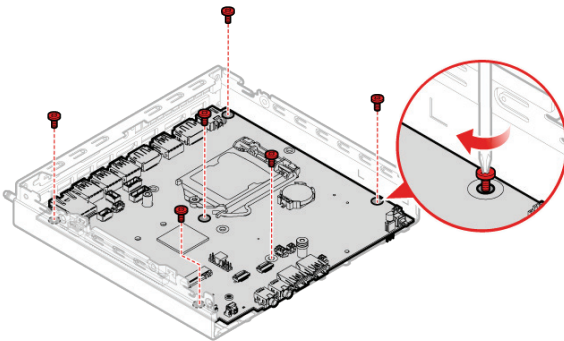
3



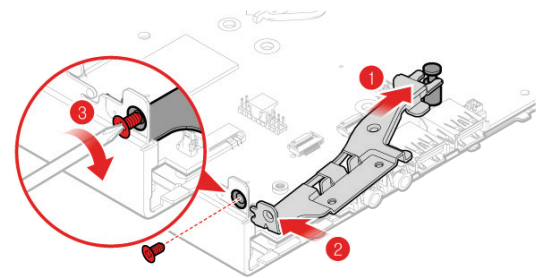
4



5



6



14 Route all the cables that you disconnected from the failing system board, and then reconnect the cables to the new system board. See [System board](#).

15 Reinstall the removed parts and computer cover. For details, see [Completing the parts replacement](#).

Notices & Trademarks

Notices

Lenovo may not offer the products, services, or features discussed in this document in all countries. Consult your local Lenovo representative for information on the products and services currently available in your area. Any reference to a Lenovo product, program, or service is not intended to state or imply that only that Lenovo product, program, or service may be used. Any functionally equivalent product, program, or service that does not infringe any Lenovo intellectual property right may be used instead. However, it is the user's responsibility to evaluate and verify the operation of any other product, program, or service.

Lenovo may have patents or pending patent applications covering subject matter described in this document. The furnishing of this document does not give you any license to these patents. You can send license inquiries, in writing, to:

Lenovo (United States), Inc.
1009 Think Place - Building One
Morrisville, NC 27560
U.S.A.
Attention: Lenovo Director of Licensing

LENOVO PROVIDES THIS PUBLICATION AS IS WITHOUT WARRANTY OF ANY KIND, EITHER EXPRESS OR IMPLIED, INCLUDING, BUT NOT LIMITED TO, THE IMPLIED WARRANTIES OF NON-INFRINGEMENT, MERCHANTABILITY OR FITNESS FOR A PARTICULAR PURPOSE. Some jurisdictions do not allow disclaimer of express or implied warranties in certain transactions, therefore, this statement may not apply to you.

This information could include technical inaccuracies or typographical errors. Changes are periodically made to the information herein; these changes will be incorporated in new editions of the publication. Lenovo may make improvements and/or changes in the product(s) and/or the program(s) described in this publication at any time without notice.

The products described in this document are not intended for use in implantation or other life support applications where malfunction may result in injury or death to persons. The information contained in this document does not affect or change Lenovo product specifications or warranties. Nothing in this document shall operate as an express or implied license or indemnity under the intellectual property rights of Lenovo or third parties. All information contained in this document was obtained in specific environments and is presented as an illustration. The result obtained in other operating environments may vary.

Lenovo may use or distribute any of the information you supply in any way it believes appropriate without incurring any obligation to you.

Any references in this publication to non-Lenovo Web sites are provided for convenience only and do not in any manner serve as an endorsement of those Web sites. The materials at those Web sites are not part of the materials for this Lenovo product, and use of those Web sites is at your own risk.

Any performance data contained herein was determined in a controlled environment. Therefore, the result obtained in other operating environments may vary significantly. Some measurements may have been made on development-level systems and there is no guarantee that these measurements will be the same on generally available systems. Furthermore, some measurements may have been estimated through extrapolation. Actual results may vary. Users of this document should verify the applicable data for their specific environment.

Trademarks

The following terms are trademarks of Lenovo in the United States, other countries, or both:

Lenovo

The Lenovo logo

DisplayPort is a trademark of the Video Electronics Standards Association.

VESA is a Trademark of the Video Electronics Standards Association.

Other company, product, or service names may be trademarks or service marks of others.