



ET5X



Enterprise Tablet

User Guide for Microsoft[®] Windows[®]



ET5X ENTERPRISE TABLET USER GUIDE FOR MICROSOFT® WINDOWS®

MN001843A02

Rev. A

March 2016

© 2016 Symbol Technologies LLC, a subsidiary of Zebra Technologies Corporation. All rights reserved.

No part of this publication may be reproduced or used in any form, or by any electrical or mechanical means, without permission in writing from Zebra. This includes electronic or mechanical means, such as photocopying, recording, or information storage and retrieval systems. The material in this manual is subject to change without notice.

The software is provided strictly on an “as is” basis. All software, including firmware, furnished to the user is on a licensed basis. Zebra grants to the user a non-transferable and non-exclusive license to use each software or firmware program delivered hereunder (licensed program). Except as noted below, such license may not be assigned, sublicensed, or otherwise transferred by the user without prior written consent of Zebra. No right to copy a licensed program in whole or in part is granted, except as permitted under copyright law. The user shall not modify, merge, or incorporate any form or portion of a licensed program with other program material, create a derivative work from a licensed program, or use a licensed program in a network without written permission from Zebra. The user agrees to maintain Zebra’s copyright notice on the licensed programs delivered hereunder, and to include the same on any authorized copies it makes, in whole or in part. The user agrees not to decompile, disassemble, decode, or reverse engineer any licensed program delivered to the user or any portion thereof.

Zebra reserves the right to make changes to any software or product to improve reliability, function, or design.

Zebra does not assume any product liability arising out of, or in connection with, the application or use of any product, circuit, or application described herein.

No license is granted, either expressly or by implication, estoppel, or otherwise under any Zebra Technologies Corporation, intellectual property rights. An implied license only exists for equipment, circuits, and subsystems contained in Zebra products.

Revision History

Changes to the original guide are listed below:

Change	Date	Description
A01 Rev A	10/2015	Initial release.
A02 Rev A	3/2016	Add expansion Back, and Power Pack accessories.

TABLE OF CONTENTS

Revision History	iii
------------------------	-----

About This Guide

Introduction	ix
Documentation Set	ix
Configurations	ix
Chapter Descriptions	x
Notational Conventions	x
Related Documents and Software	xi
Service Information	xi
Checking Operating System Version	xi

Chapter 1: Getting Started

Introduction	1-1
Unpacking	1-1
Features	1-2
Getting Started	1-4
Installing a micro SIM Card (ET55 Only)	1-5
Install a microSD Card	1-8
Charging the ET5X	1-9
Removing the microSD Card	1-13
Turning Off the ET5X	1-14
Turning Off the Screen	1-14
Turning Off the Radios	1-14
Adjusting the Volume	1-16
Checking Battery Status	1-16
Main Battery	1-16
Power Pack	1-18
Battery Management	1-20
Battery Saving Tips	1-20
Changing the Power Settings	1-20
Manually Changing the Display Brightness	1-20
Automatically Changing the Display Brightness	1-21

Screen Orientation	1-21
Resetting the ET5X	1-21

Chapter 2: Using the Tablet

Introduction	2-1
Start Screen	2-1
Accessing the Start Screen	2-2
Using the Multi-Touch Screen	2-2
Using the On-Screen Keyboard	2-3
Using the Active Stylus	2-3
Using the Camera	2-5
Reading NFC Cards and RFID Tags	2-6

Chapter 3: Wireless

Determining Mobile Network	3-1
Wireless Local Area Networks	3-2
Connecting to a Wi-Fi Network	3-2
View Network Information	3-3
Proxy Settings	3-4
Adding a Wi-Fi Network	3-5
Connecting to a Mobile Network	3-6
Sharing the Internet Connection	3-6
Using Bluetooth Devices	3-8
Adaptive Frequency Hopping	3-8
Security	3-8
Bluetooth Profiles	3-9
Pairing with a Bluetooth Device	3-9
Unpairing a Bluetooth Device	3-10

Chapter 4: Data Capture

Scanning Considerations	4-1
Imaging	4-2
Expansion Back	4-2
Using the SE4750 Expansion Back	4-2
Using the SE4710 Expansion Back	4-3
RS507 Hands-Free Imager	4-4
Using the RS507 Hands-free Imager	4-5
Pairing the RS507 Hands-Free Imager Bluetooth HID	4-6
Using the CS4070	4-8
Deleting Bar Codes	4-8
Pairing the CS4070	4-9
PIN Entry Bar Codes	4-12

Chapter 5: Accessories

Introduction	5-1
Charge Only Cradle	5-4

Installing the Insert	5-5
Communication and Charging Cradle	5-6
Installing the Insert	5-7
Rugged Communication and Charging Cradle	5-8
Power Pack	5-10
Charging the Power Pack	5-11
Using Dock	5-11
Using USB Power Adapter	5-11
Active Stylus	5-13
Battery Installation	5-13

Chapter 6: Maintenance and Troubleshooting

Introduction	6-1
Maintaining the ET5X	6-1
Battery Safety Guidelines	6-1
Cleaning	6-2
Materials Required	6-2
Cleaning the ET5X	6-2
Housing	6-2
Display	6-3
Power Connector	6-3
Cleaning Cradle Connectors	6-3
Cleaning Frequency	6-4
Troubleshooting	6-5
ET5X	6-5
Charge Only Cradle	6-6
Communication and Charging Cradles	6-6
Expansion Backs	6-7
Stylus	6-7

Appendix A: Specifications

Technical Specifications	A-1
ET5X	A-1

ABOUT THIS GUIDE

Introduction

This guide provides information about using the ET5X tablet and accessories.

✓ **NOTE** Screens and windows pictured in this guide are samples and can differ from actual screens.

Documentation Set

The documentation set for the ET5X is divided into guides that provide information for specific user needs.

- **ET5X Quick Reference Guide** - describes how to get the ET5X tablet up and running.
- **ET5X User Guide** - describes how to use the ET5X tablet.
- **ET5X Integrator Guide** - describes how to configure the ET5X and accessories.

Configurations

This guide covers the following configurations:

Configuration	Operating System	Radios	Display	Memory	Data Capture
ET50NE	Windows [®] 8.1 Pro	WLAN: 802.11a/b/g/n WPAN: Bluetooth	8" color	4 GB RAM/ 64 GB Flash	Optional RS507, CS4070, SE4710 or SE4750 Expansion Backs
ET55AE	Windows [®] 8.1 Pro	WLAN: 802.11a/b/g/n WPAN: Bluetooth WWAN: NA - LTE	8" color	4 GB RAM/ 64 GB Flash	Optional RS507, CS4070, SE4710 or SE4750 Expansion Backs
ET55RE	Windows [®] 8.1 Pro	WLAN: 802.11a/b/g/n WPAN: Bluetooth WWAN: ROW - LTE	8" color	4 GB RAM/ 64 GB Flash	Optional RS507, CS4070, SE4710 or SE4750 Expansion Backs

Configuration	Operating System	Radios	Display	Memory	Data Capture
ET50NT	Windows® 8.1 Pro	WLAN: 802.11a/b/g/n WPAN: Bluetooth	10" color	4 GB RAM/ 64 GB Flash	Optional RS507, CS4070, SE4710 or SE4750 Expansion Backs
ET55AT	Windows® 8.1 Pro	WLAN: 802.11a/b/g/n WPAN: Bluetooth WWAN: NA - LTE	10" color	4 GB RAM/ 64 GB Flash	Optional RS507, CS4070, SE4710 or SE4750 Expansion Backs
ET55RT	Windows® 8.1 Pro	WLAN: 802.11a/b/g/n WPAN: Bluetooth WWAN: ROW - LTE	10" color	4 GB RAM/ 64 GB Flash	Optional RS507, CS4070, SE4710 or SE4750 Expansion Backs

Chapter Descriptions

Topics covered in this guide are as follows:

- [Chapter 1, Getting Started](#), provides information on getting the tablet up and running for the first time.
- [Chapter 2, Using the Tablet](#), explains how to use the tablet. This includes instructions for powering on and resetting the tablet, entering and capturing data.
- [Chapter 3, Wireless](#), explains how to perform Bluetooth functionality on the tablet.
- [Chapter 4, Data Capture](#), explains how to capture data using the optional scanners.
- [Chapter 5, Accessories](#), describes the accessories available for the tablet and how to use the accessories with the tablet.
- [Chapter 6, Maintenance and Troubleshooting](#), includes instructions on cleaning and storing the tablet, and provides troubleshooting solutions for potential problems during tablet operation.
- [Appendix A, Specifications](#), includes a table listing the technical specifications for the tablet.

Notational Conventions

The following conventions are used in this document:

- “Tablet” refers to the Zebra ET5X tablet.
- *Italics* are used to highlight the following:
 - Chapters and sections in this guide
 - Related documents

- **Bold** text is used to highlight the following:
 - Dialog box, window and screen names
 - Drop-down list and list box names
 - Check box and radio button names
 - Icons on a screen
 - Key names on a keypad
 - Button names on a screen.
- Bullets (•) indicate:
 - Action items
 - Lists of alternatives
 - Lists of required steps that are not necessarily sequential.
- Sequential lists (e.g., those that describe step-by-step procedures) appear as numbered lists.

Related Documents and Software

The following documents provide more information about the ET5X tablets.

- *ET5X Quick Reference Guide*, p/n MN001844Axx
- *ET5X Integrator Guide*, p/n MN-002776-xx

For the latest version of this guide and all guides, go to: <http://www.zebra.com/support>.

Service Information

If you have a problem with your equipment, contact Zebra Global Customer Support for your region. Contact information is available at: <http://www.zebra.com/support>.

When contacting support, please have the following information available:

- Serial number of the unit
- Model number or product name
- Software type and version number. See [Checking Operating System Version on page xi](#)

Zebra responds to calls by email, telephone or fax within the time limits set forth in support agreements.

If your problem cannot be solved by Zebra Customer Support, you may need to return your equipment for servicing and will be given specific directions. Zebra is not responsible for any damages incurred during shipment if the approved shipping container is not used. Shipping the units improperly can possibly void the warranty.

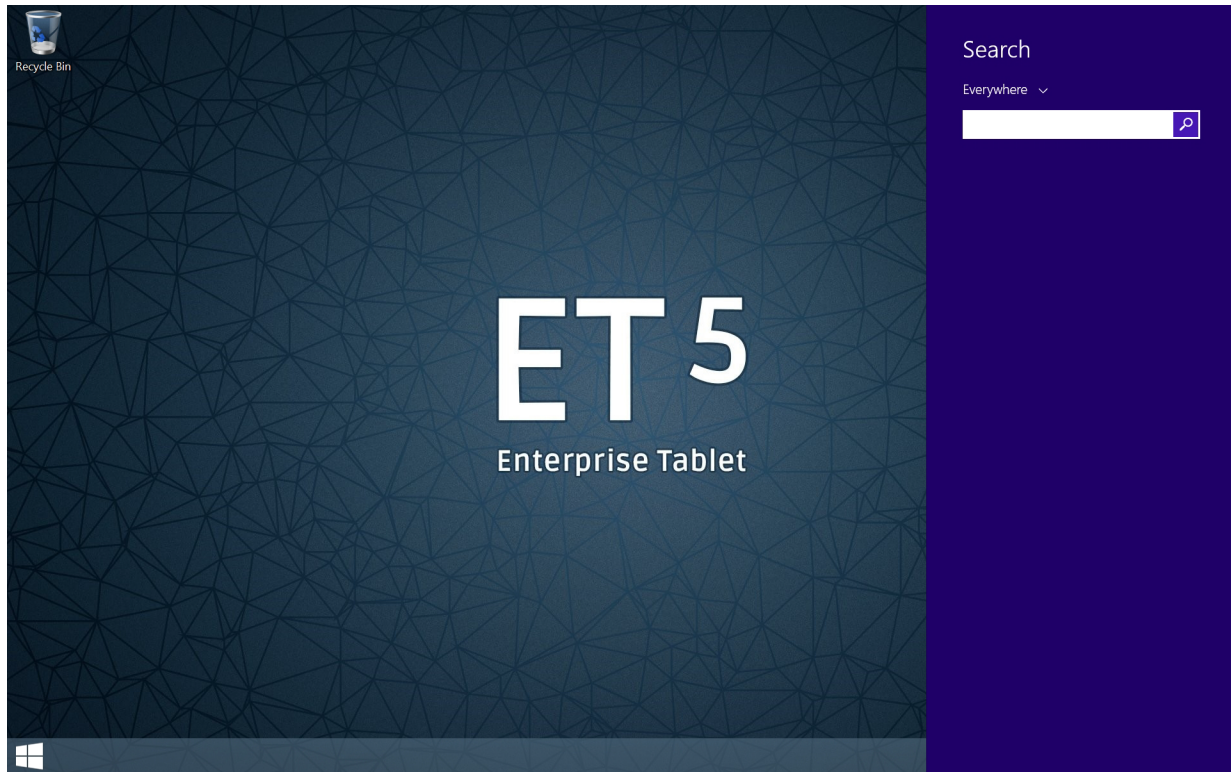
If you purchased your Zebra business product from a Zebra business partner, contact that business partner for support.

Checking Operating System Version

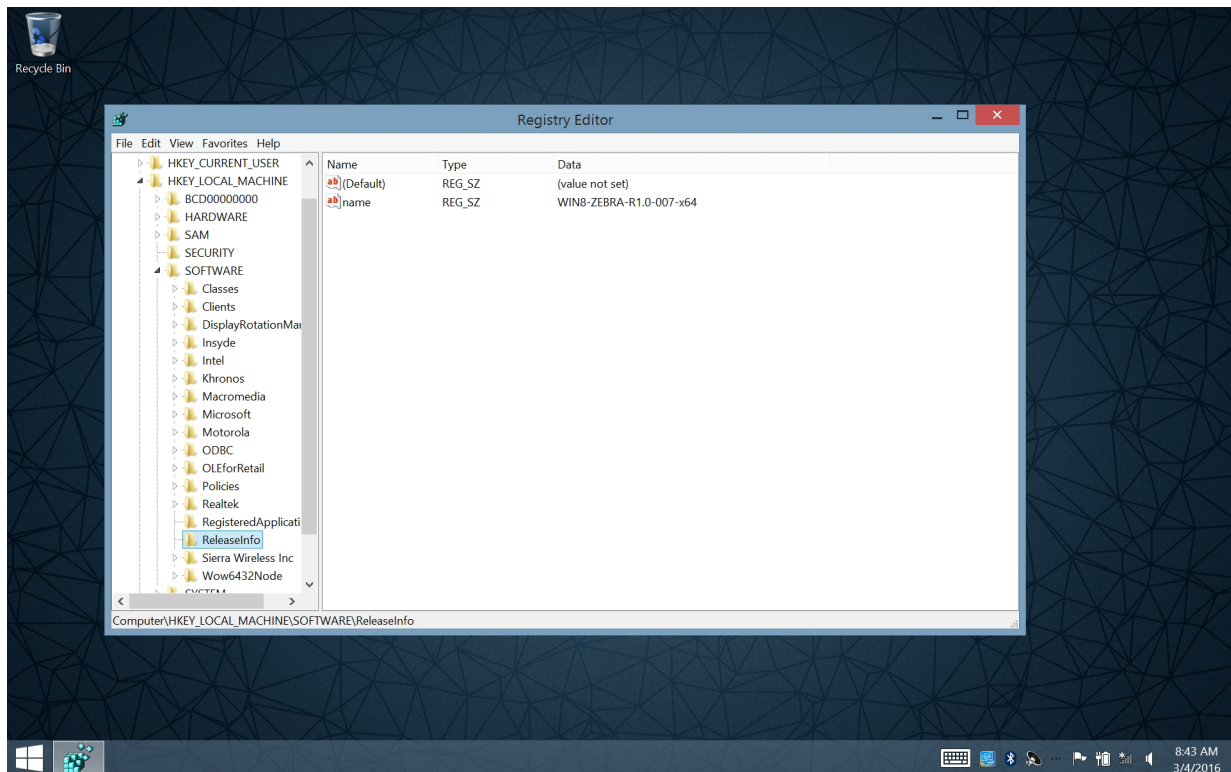
To check the current version of the operating system:

1. Slide from right edit.

2. Touch Search icon.



3. In the Search text box, type `regedit`.
4. Touch **Enter**.
5. In **User Account Control** dialog box, touch **Yes**. The **Registry Editor** window appears.



6. Navigate to **HKEY_LOCAL_MACHINE > SOFTWARE > releaseinfo**. The version appears in the **Data** column.

CHAPTER 1 GETTING STARTED

Introduction

This chapter explains how to set the device up for the first time.

Unpacking

Carefully remove all protective material from around the ET5X and save the shipping container for later storage and shipping.

Verify that you received all equipment listed below:

- Tablet with lithium-ion battery
- Quick Reference Guide.

Inspect the equipment for damage. If you are missing any equipment or if you find any damaged equipment, contact the Zebra Support Center immediately. See [Service Information on page xi](#) for contact information.

Features

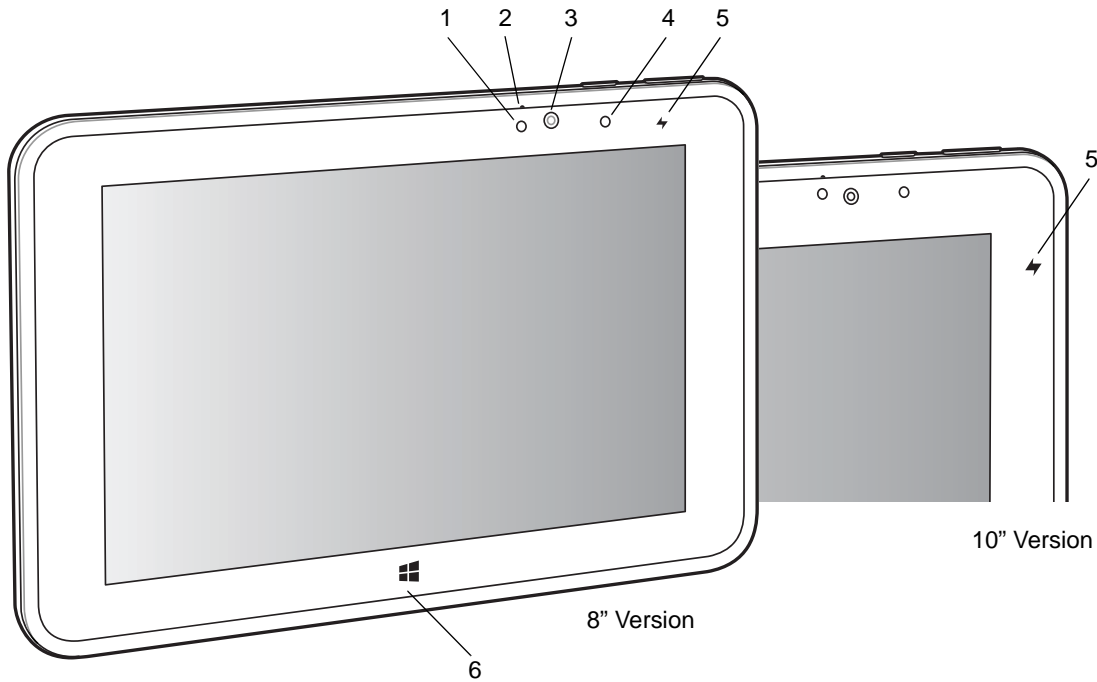


Figure 1-1 *Front View*

Table 1-1 *Front View*

Item	Description
1	Ambient Light Sensor - Recognizes the ambient light and adjusts the display brightness (if enabled).
2	Front Microphone - Use for voice communications.
3	Front Facing Camera - Use for video conferencing.
4	Camera Indicator LED - Lights red when the camera is activate. Momentarily lights red when the device boots and shuts down.
5	Charging Indicator LED - Indicates charging status. <ul style="list-style-type: none"> • OFF - device is not connected to charger. • ORANGE - device is charging. • GREEN - device is connected and fully charged. • RED - charge error.
6	Windows Button - Press to launch the Windows Home screen.

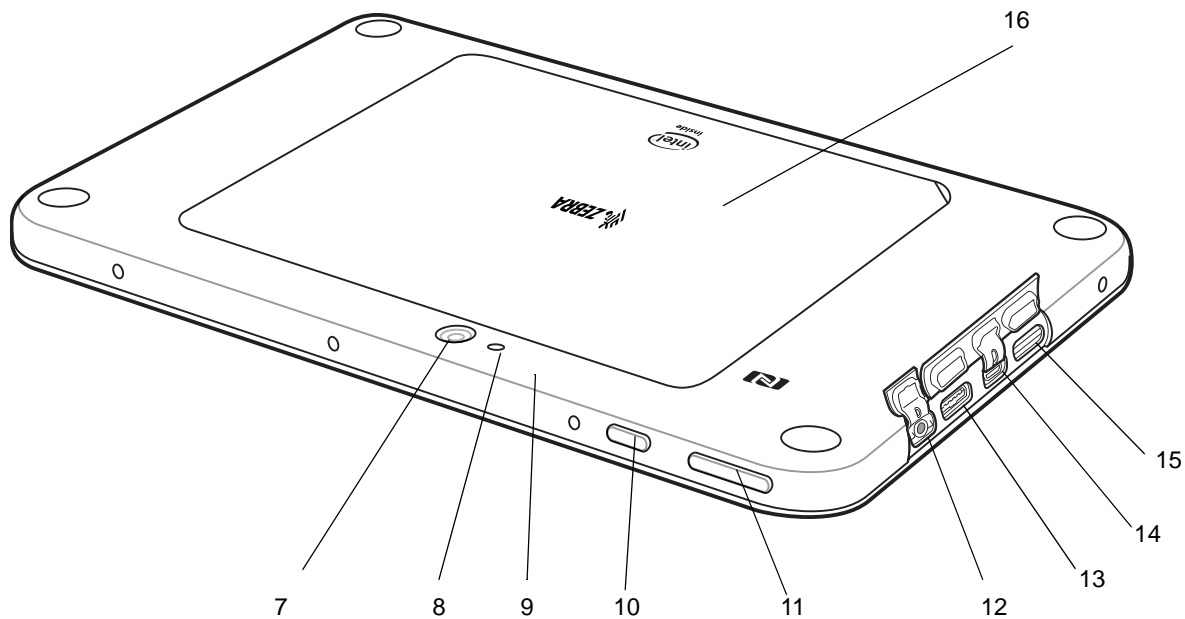


Figure 1-2 Back View

Table 1-2 Back View

Item	Description
7	Rear Camera - 8MP auto-focus camera for high resolution images and video.
8	Camera LED Flash - Provides illumination for the camera.
9	Rear Microphone - Use during video recordings.
10	Power Button - Push once to start the ET5X; push it again to enable sleep mode. Push and hold it to shut down the ET5X.
11	Volume Key - Push the left side to reduce the volume. Press the right side to increase the volume.
12	3.5 mm Audio Jack - Use to connect to headset with microphone.
13	USB 2.0 Port - Provides input for USB devices.
14	Micro USB Interface (charging only) - Provides for charging the ET5X using USB cable and power supply.
15	MicroSD Card Slot - Provides storage for microSD Card (up to 2 TB).
16	Back Cover - Covers the service replaceable battery.

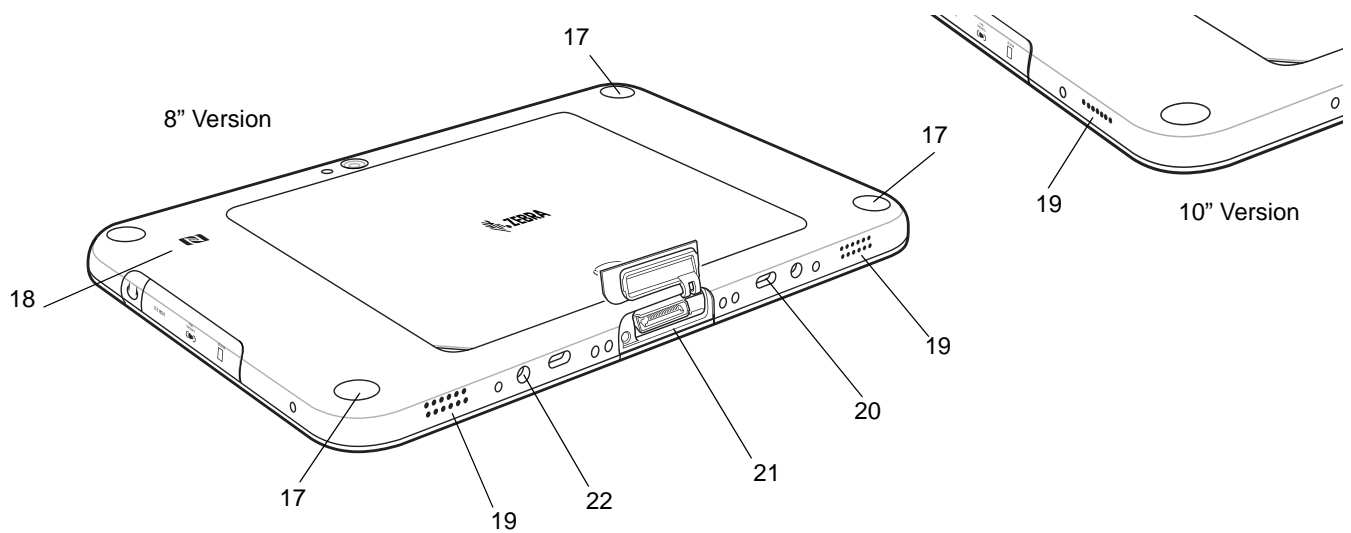


Figure 1-3 Bottom View

Table 1-3 Bottom View

Item	Description
17	Mechanical Fixing Points - Use to attach accessories. Three mounting points under discs (8" version only).
18	NFC Antenna Position - Use to read NFC cards and RFID tags.
19	Stereo Speakers - Provides audio playback.
20	Latching Slots - Provides locking mechanism when docking the tablet to the Communication and Charging Cradles.
21	Docking Connector - Interfaces with the cradle.
22	Alignment Holes - Use to align the tablet with the cradles.

Getting Started

In order to start using the ET5X for the first time:

- install the micro SIM Card (ET55 only)
- install microSD card (optional)
- start the ET5X
- configure the ET5X.

The main battery can be charged before or after it is installed. Use one of the spare battery chargers to charge the main battery (out of the ET5X), or one of the cradles to charge the main battery installed in the ET5X.

Installing a micro SIM Card (ET55 Only)



CAUTION Do not use nano to micro SIM card adapters.

To install a micro SIM card:

1. Press the Power button to turn off the ET55.
2. Lift the notched corner of the battery cover.

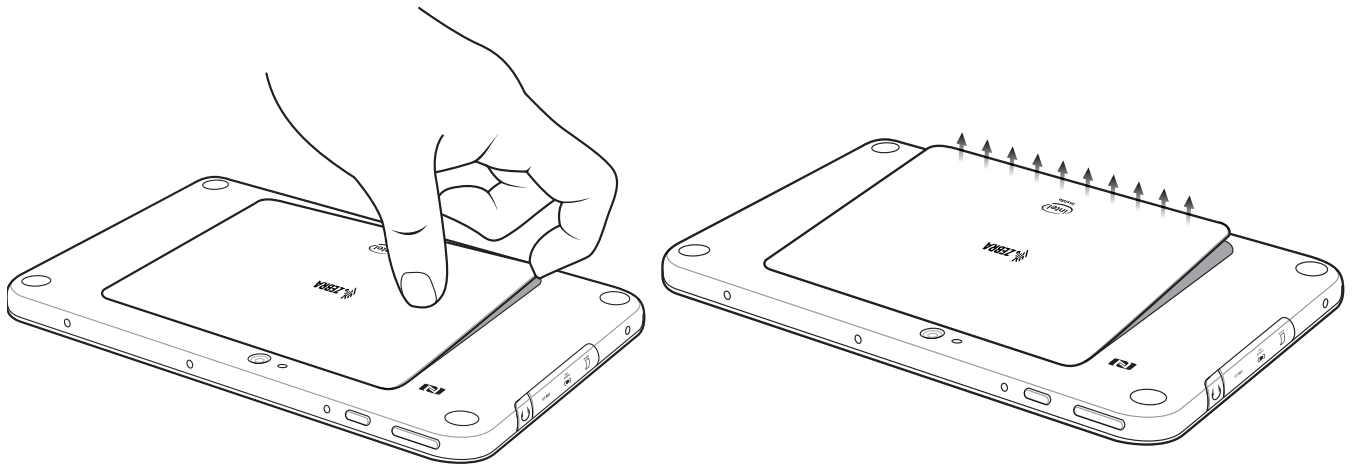
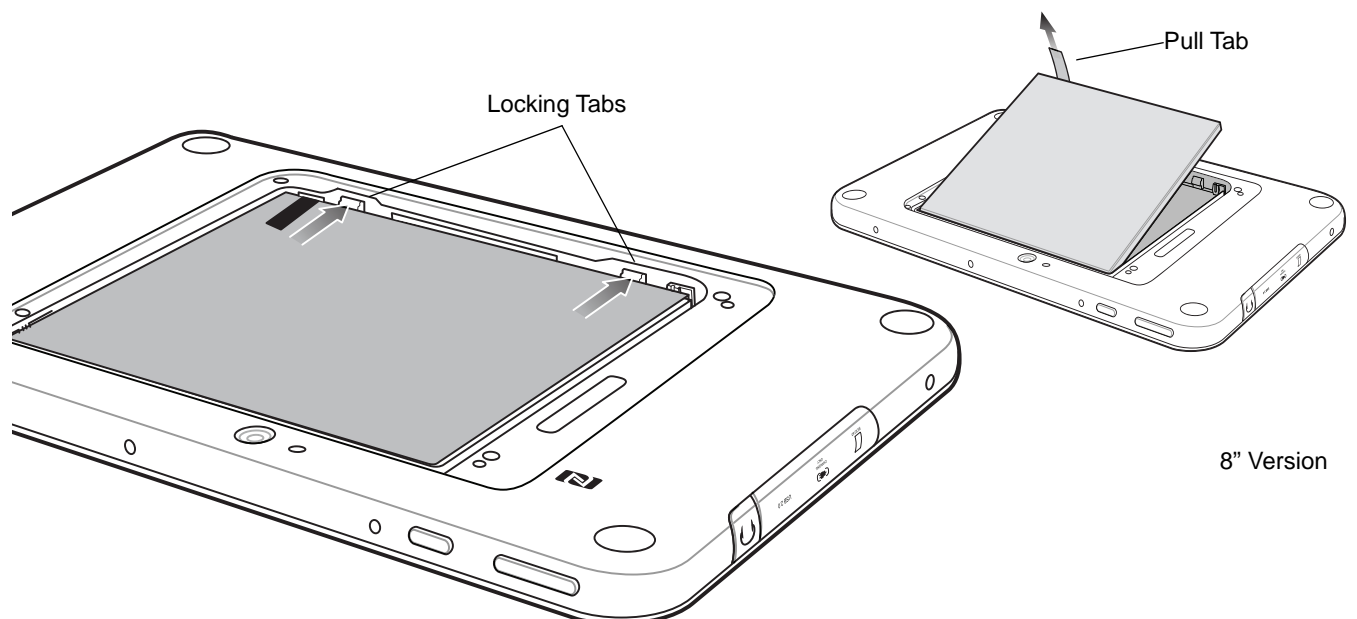


Figure 1-4 Removing the Battery Cover

3. Carefully lift the battery cover off the ET55.
4. On the 8" version, push the two locking tabs up, then pull up on the tab to remove battery.
On the 10" version, push the two locking tabs up (1), then, using index fingers, lift the battery up (2).



8" Version

Figure 1-5 Removing the Battery - 8"

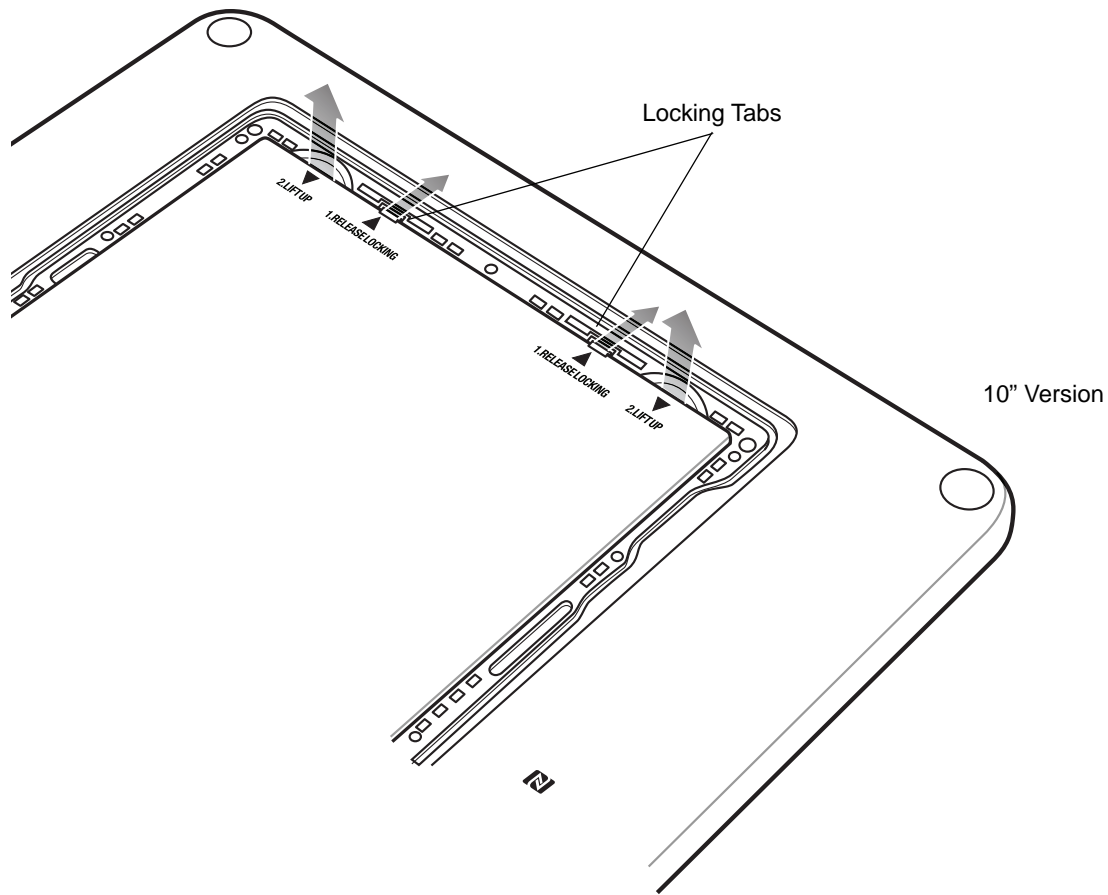


Figure 1-6 Removing the Battery - 10"

5. Insert the micro SIM card with contacts facing down.

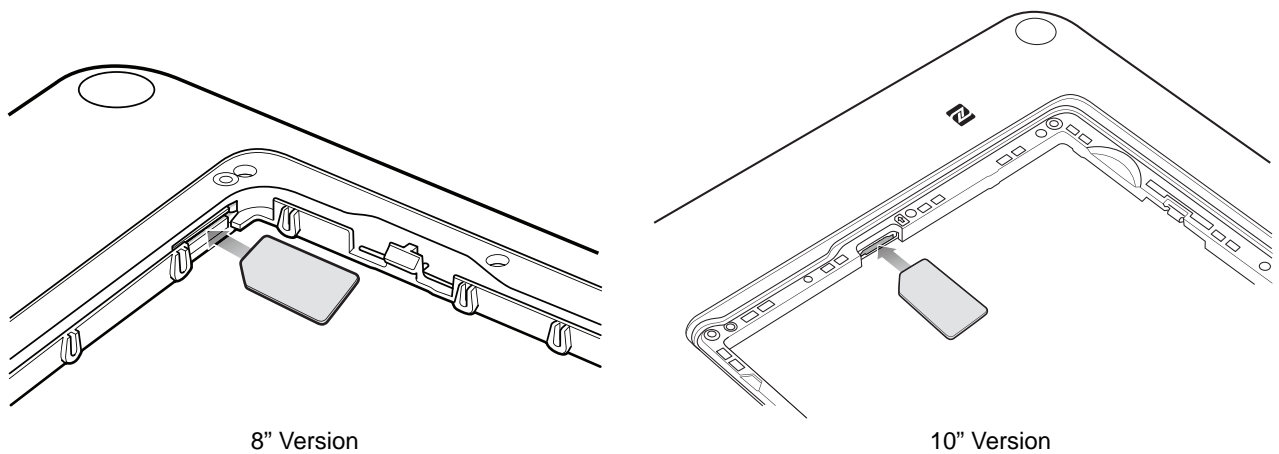


Figure 1-7 Insert micro SIM Card

6. Push the micro SIM card in and ensure that it locks into place.
7. Replace the battery.
On the 10" version, ensure that the two battery latches engage.

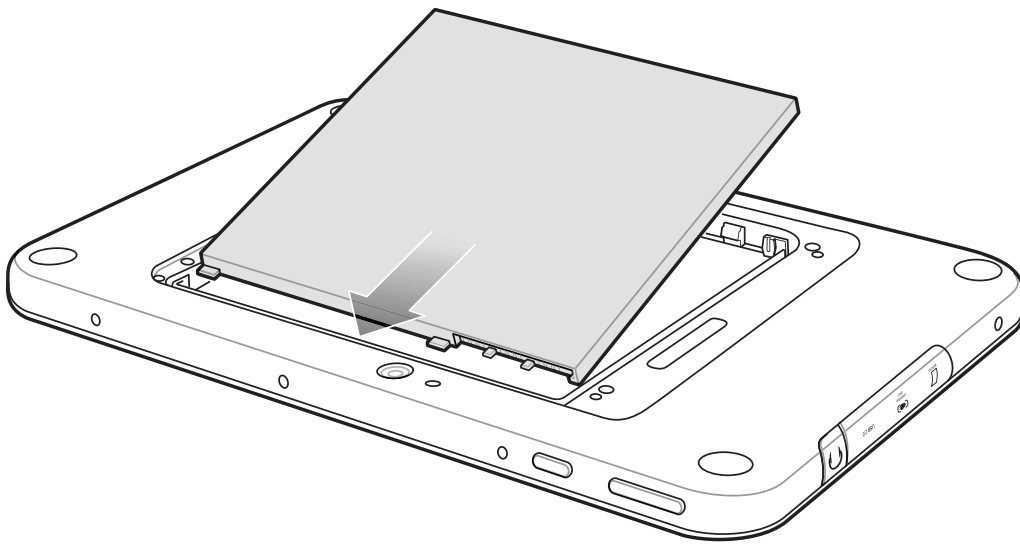



Figure 1-8 *Insert Battery*

 **CAUTION** Be aware of the orientation of the battery cover. Failure to replace the battery cover properly may damage the battery cover.

8. Align the tabs on the underside of the cover with the slot around the battery well. Make sure that the notch on the battery cover is at the bottom left corner of the ET5X.

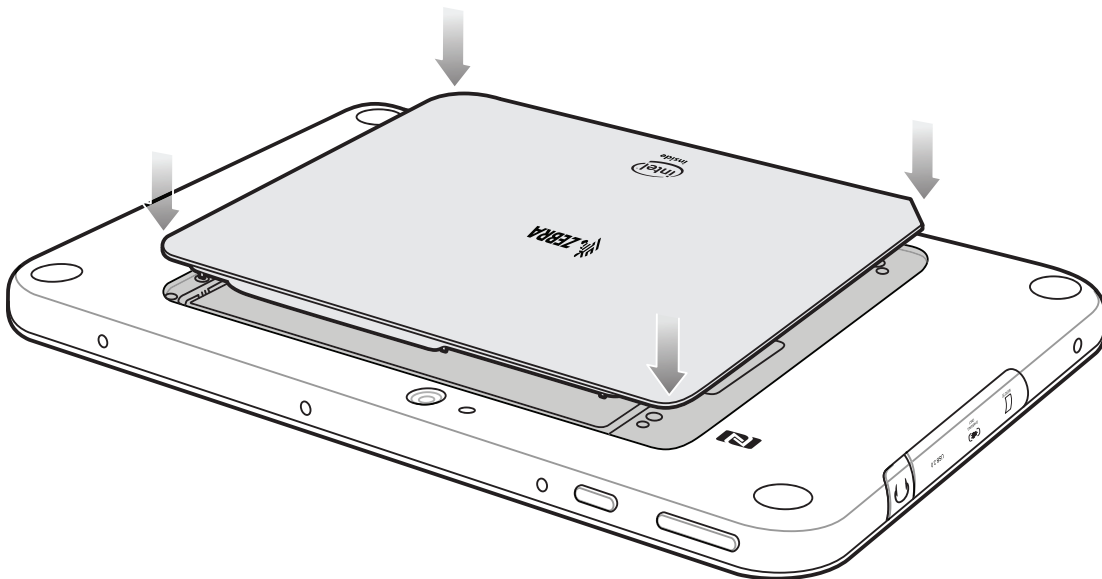


Figure 1-9 *Align Battery Cover*

9. Carefully press down around the edge of the cover. Make sure that the cover is seated properly.

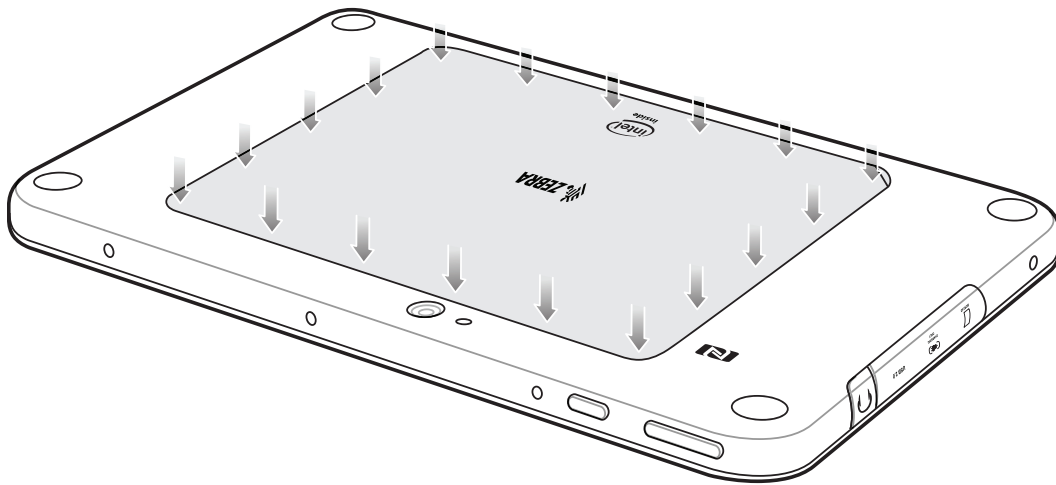


Figure 1-10 *Press Down on Battery Cover*

10. Press Power button to turn on the ET55.

Install a microSD Card

To install a microSD card:

1. Open access door.

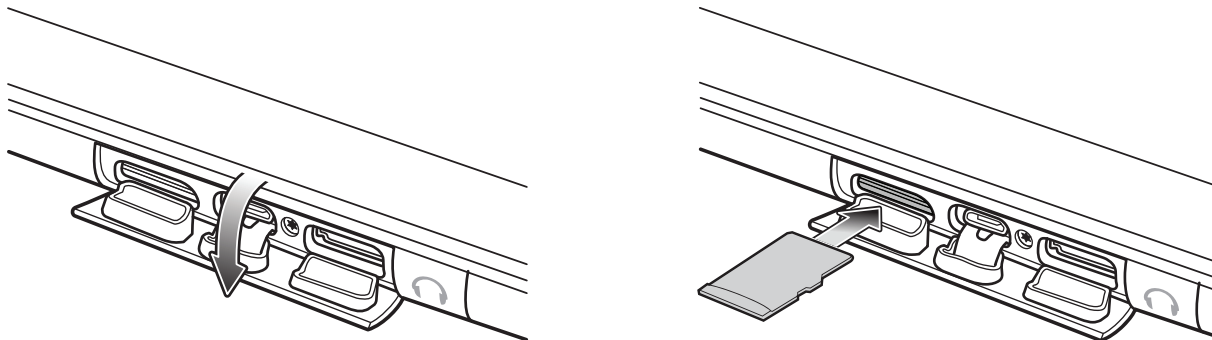


Figure 1-11 *Open Access Door*

2. Insert microSD card into slot with contacts facing down.
3. Press the card in to ensure that it is seated properly.
4. Close access door.

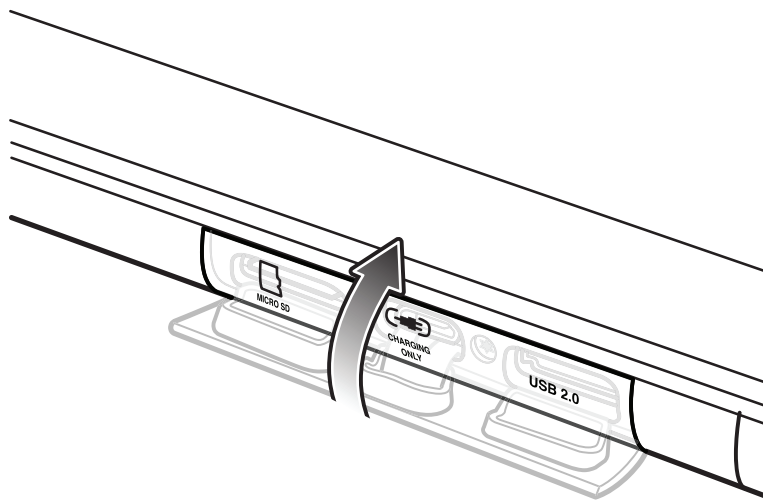


Figure 1-12 Close Access Door

Charging the ET5X

Use the Communication and Charging Cradle, Rugged Communication and Charging Cradle or Charge Only Cradle to charge the ET5X.

- ✓ **NOTE** The Charge Only Cradle (CRD-ET5X-1SCG1) and the Communication and Charging Cradle (CRD-ET5X-1SCOM1) come with two inserts; tall insert and short insert. Install the tall insert when using an ET5X without a Rugged Frame or Expansion Back. Install the small insert when using an ET5X with an Expansion Back and without a Rugged Frame. Do not install either insert when using the ET5X with the Rugged Frame.

The Rugged Communication and Charging Cradle (CRD-ET5X-1SCOM1R) does not come with inserts. Use with ET5X and Rugged Frame with IO Adapter.

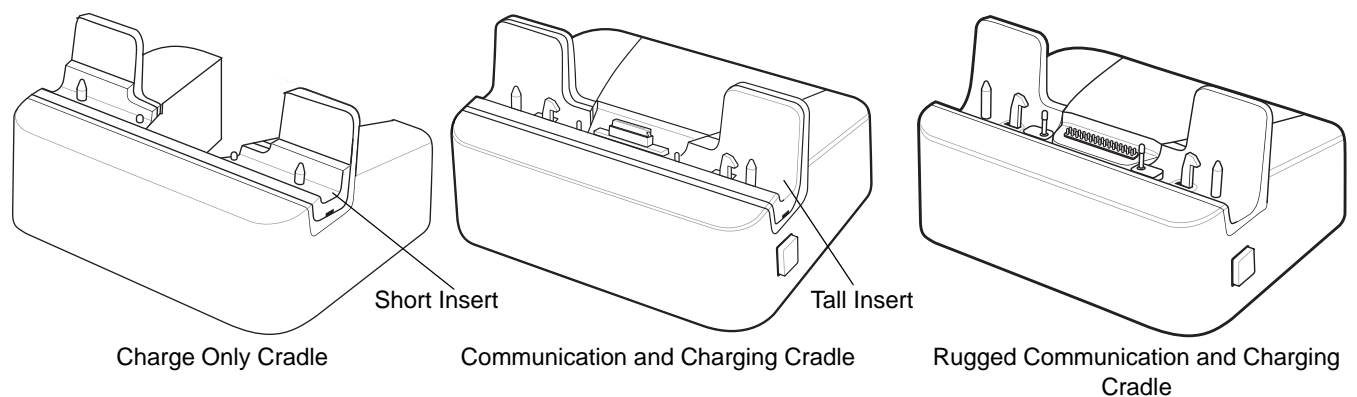


Figure 1-13 ET5X Cradles

1. If using the Communication and Charging Cradle, open the bottom access door and hold it to the back of the tablet.
2. Align the ET5X with the alignment pins on the cradle.
3. Insert the ET5X into the cradle. Note that the Communication and Charging Cradles contains a locking mechanism that locks the ET5X to the cradle.

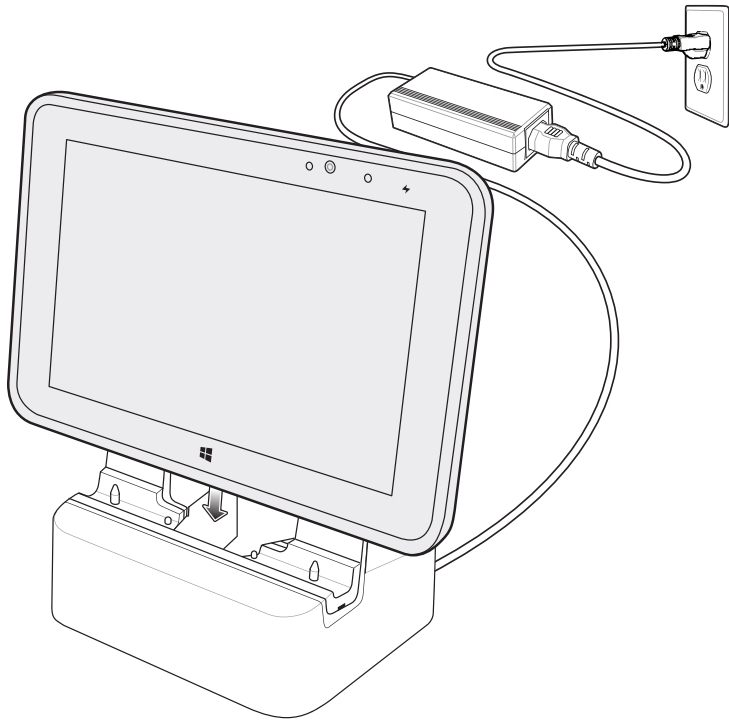


Figure 1-14 *Insert ET5X into Charge Only Cradle*

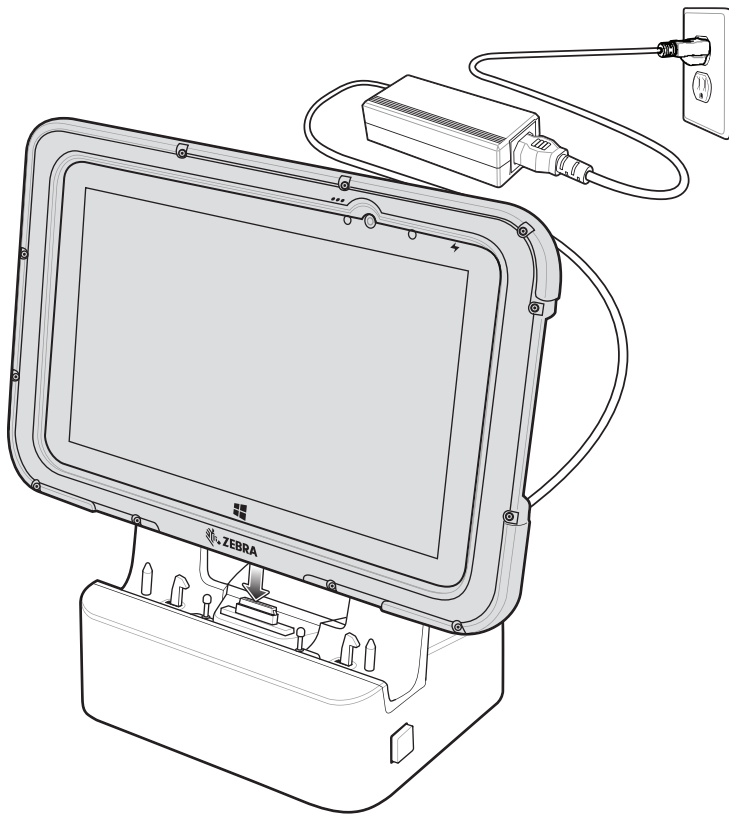


Figure 1-15 *Insert ET5X with Rugged Frame into Communication and Charging Cradle*

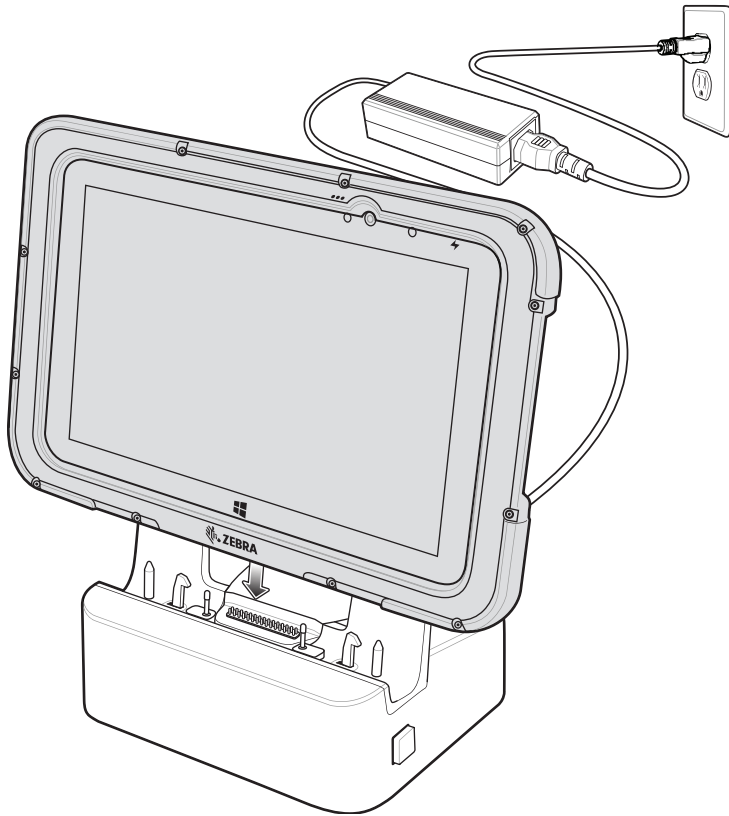


Figure 1-16 *Insert ET5X with Rugged Frame and IO Adapter into Rugged Communication and Charging Cradle*

4. The ET5X Charging LED indicates charging.
5. To remove the ET5X from the Charge Only Cradle, hold the cradle down with one hand and lift the ET5X.

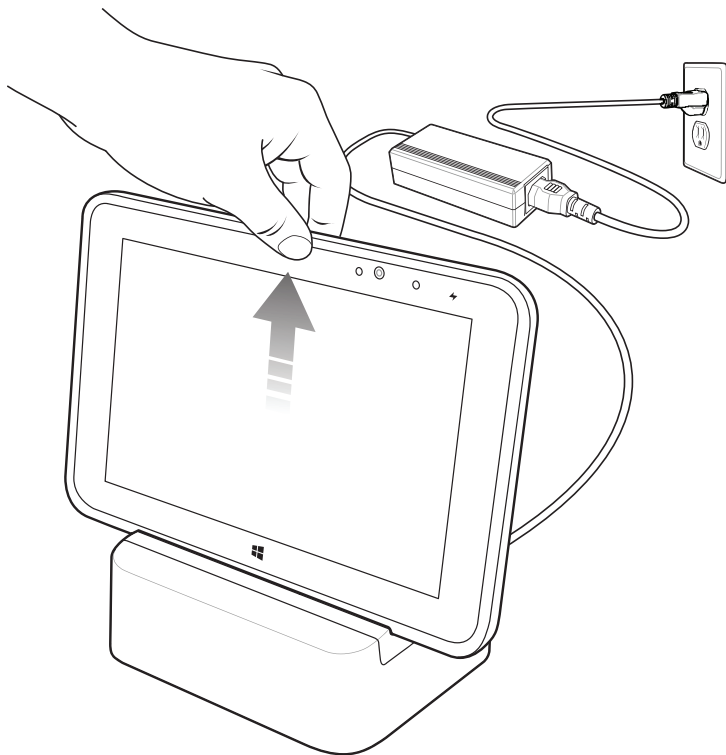


Figure 1-17 *Remove ET5X from Charge Only Cradle*

To remove the ET5X from the Communication and Charging Cradle, press the release button on the right side of the cradle and lift the ET5X. Use thumb to hold down the cradle.

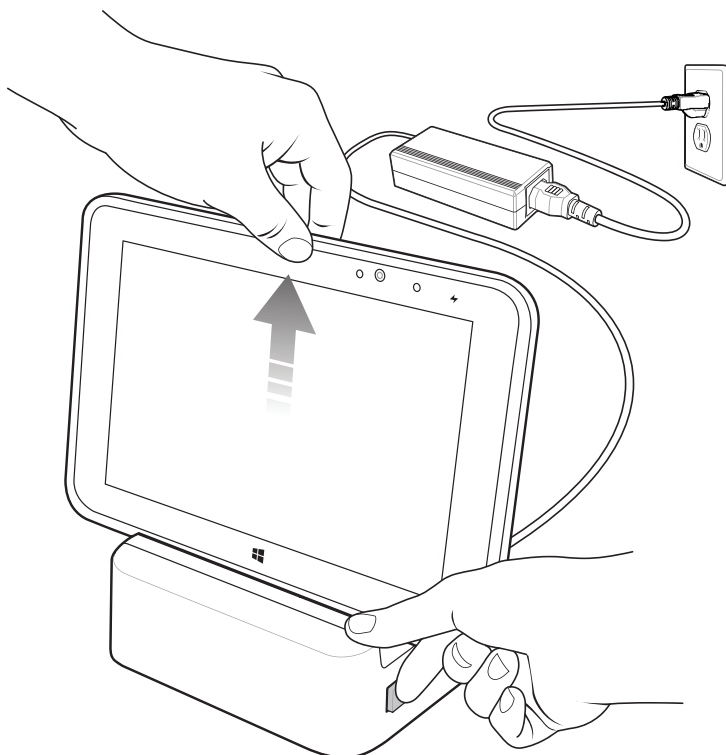


Figure 1-18 *Remove ET5X from Communication and Charging Cradles*

The main battery usually fully charges in less than three hours. If an Expansion Back is attached, the main battery fully charges in less than 4.5 hours.

✓ **NOTE** The Charging indicator only illuminates when the ET5X is connected to AC power.

Table 1-4 *Charging Indicator*

LED	Indication
Off	ET5X is not in cradle. ET5X is not seated properly. Cradle is not powered.
Orange	ET5X is charging.
Green	Charging complete. Note: When the battery is initially inserted in the ET5X.
Red	Error in charging; check placement of the ET5X.

Removing the microSD Card

To remove the microSD card:

1. Touch the Desktop tile to enter Desktop mode.
2. Touch Safely Remove Hardware in the notification area at the bottom-right corner of the screen.
3. Touch Eject SD Memory Card. A message appears confirming that the microSD card can be safely removed. If a warning message appears stating the microSD card cannot be removed, make sure all data transfers involving the microSD card are complete.
4. Open access door.

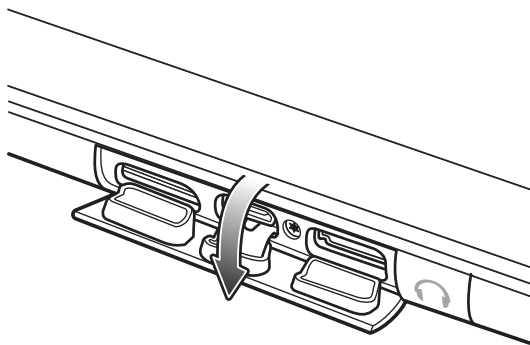


Figure 1-19 *Open Access Door*

5. Press on the microSD card to release it.
6. Close access door.

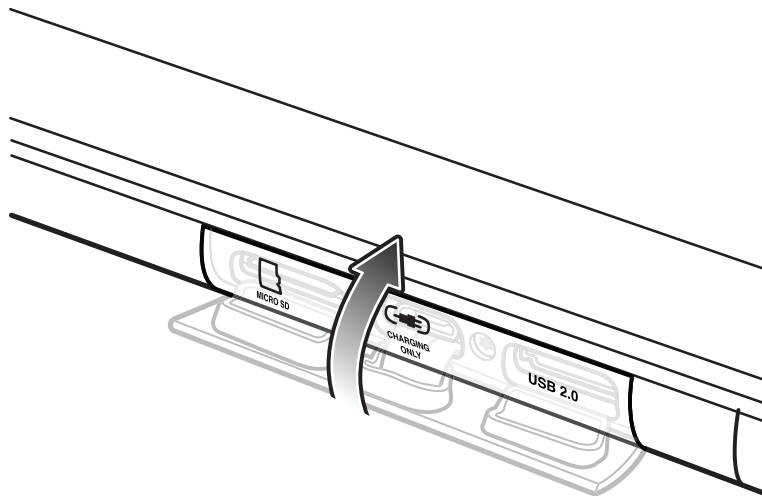


Figure 1-20 Close Access Door

Turning Off the ET5X

Using the power button:

1. Press and hold the power button for at least 4 seconds.
2. Swipe-down the shutdown confirmation screen to the bottom edge of the display to turn off the ET5X.

Using Settings:

1. Swipe-in from the right edge of the display.
2. Touch **Settings** > **Power** > **Shut down** to turn off the tablet.

Turning Off the Screen

- Using the power button:
Press the power button to turn off the screen.
- Using Settings:
Swipe-in from the right edge of the display then touch **Settings** > **Power** > **Sleep**.

✓ **NOTE** If the ET5X is in a sleep mode (tablet is on, but screen is off), press the power button or Windows button once to turn on the screen.

Turning Off the Radios

Turn on Airplane mode when traveling on an airplane or when you don't need Wi-Fi or Bluetooth for a while. Airplane mode extends the amount of time before the battery needs recharging. To place the ET5X in Airplane mode:

1. Swipe-in from the right edge of the display.

2. Touch **Settings** > Wireless network icon.

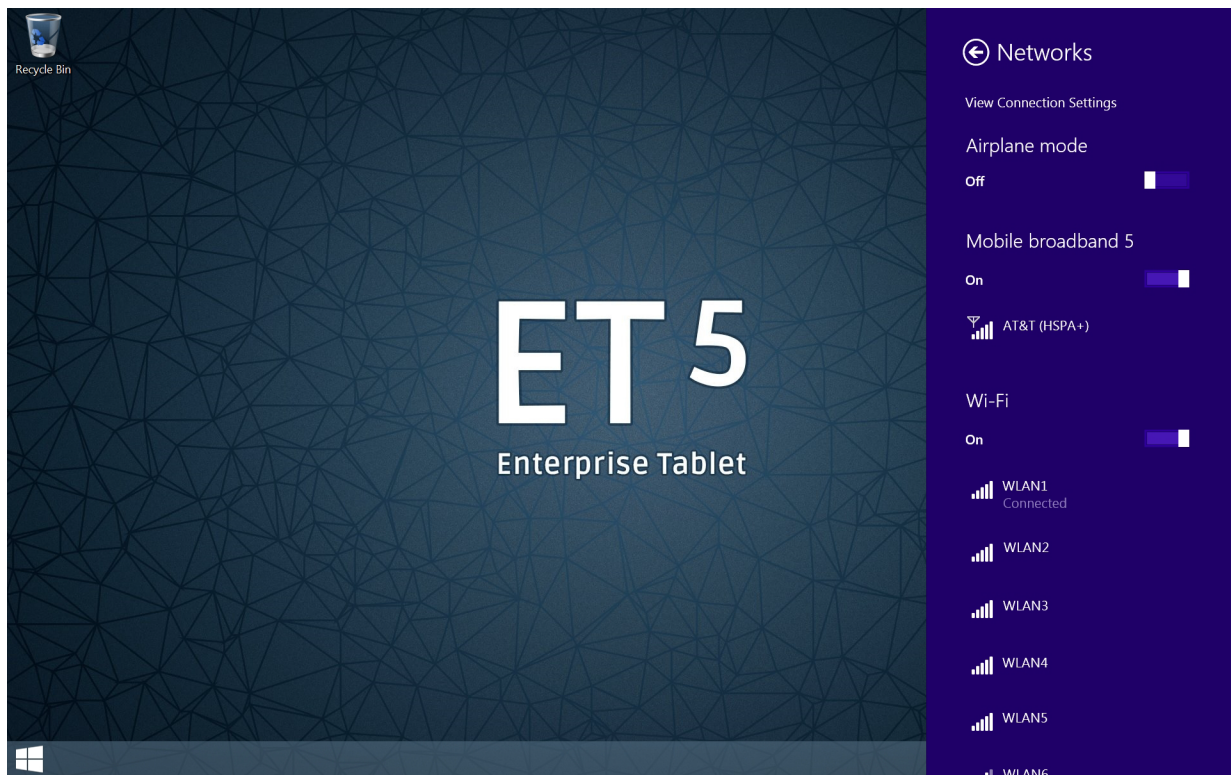



Figure 1-21 Networks Screen

3. Slide the **Airplane Mode** switch to the **On** position.

The airplane icon  appears in the Taskbar indicating that the tablet is in Airplane mode.

When Airplane mode is on, the Wi-Fi, Bluetooth, GNSS and NFC radios are turned off. You can turn on these radios but the WAN radio.

To turn on the radios in Airplane Mode:

1. Swipe-in from the right edge of the display.
2. Touch **Settings** > **Change PC settings**.
3. Touch **Network** > **Airplane Mode**.

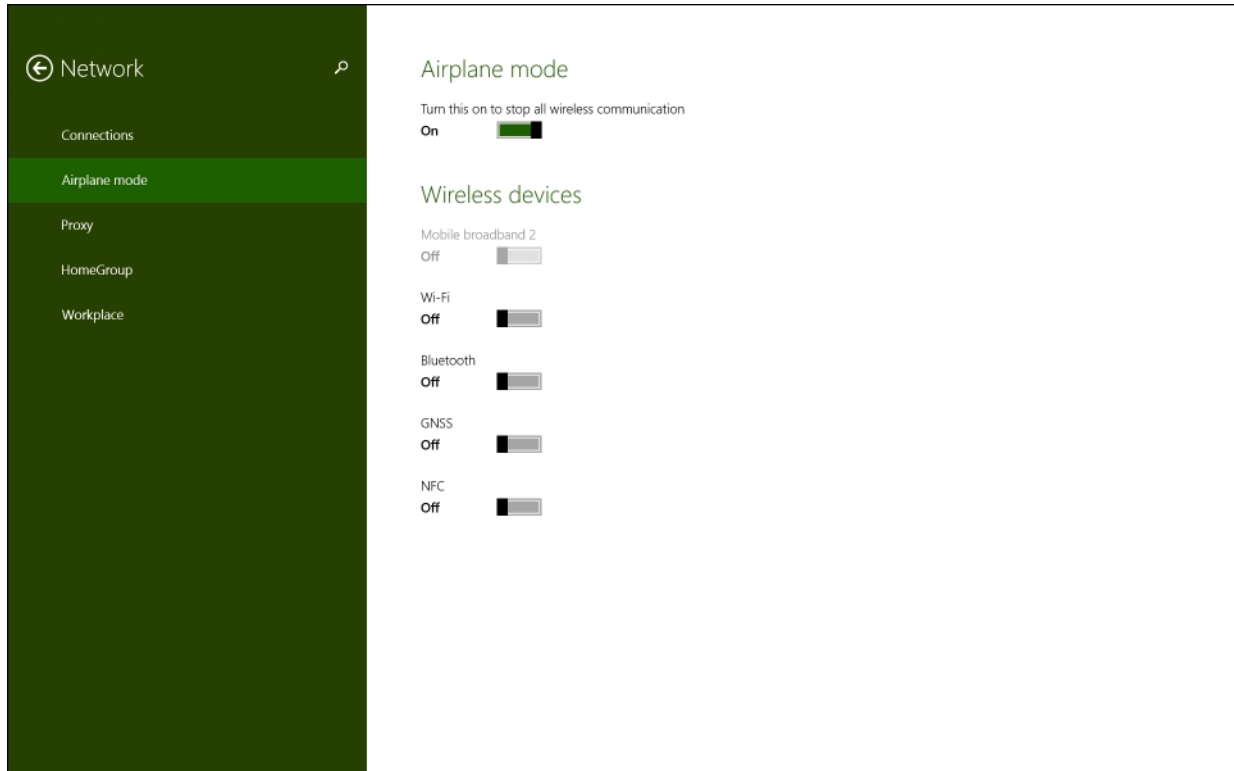


Figure 1-22 Airplane Mode Screen

4. Slide the radio switches to the **On** position.

Adjusting the Volume

You can adjust the volume:

- **Volume** - Use the volume-up /volume-down button on the top of the ET5X
- **Start screen** - Open the Settings icon, then touch the sound icon and adjust the slider.
- **Desktop taskbar** - Tap the sound icon on the desktop taskbar (lower-right corner) and adjust the slider.

Checking Battery Status

Main Battery

To check the charge level of the main battery:

- Icons. Lower-left corner of the touchscreen after you open the icon.



Figure 1-23 Start Screen

- **Lock screen** - Lower-left corner of the lock screen.



Figure 1-24 Lock Screen

- **Desktop taskbar** - Battery status appears on the desktop taskbar. Tap the battery icon to see the percentage remaining.



Figure 1-25 Desktop Taskbar

When a low battery warning displays, dock the ET5X into a cradle. If you don't recharge the battery, the ET5X eventually saves your work and shut down.

Table 1-5 Battery Status


Icon	Description
	ET5X is connected to power (external or Power Pack) and the main battery is fully charged.
	ET5X is connected to power (external or the Power Pack) and the main battery is charging.
	ET5X is on battery power and the main battery is discharging.
	ET5X is on battery power and the main battery charge is low.
	ET5X is on battery power and the main battery charge is critically low.

Power Pack

The optional Power Pack provides additional power to charge the main battery.


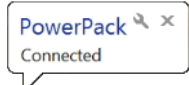

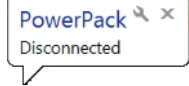

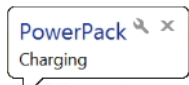




Power Pack status appears on the desktop taskbar.

✓ **NOTE** Operating system version -007 and above supports optional Power Pack charging notification.

The Power Pack Status icon appears when a notification occurs. To always display the icon, select  > **Customize**. In the **Notification Area Icons** window, check the **Always show all icons and notifications on the taskbar** and then select **OK**.

Tap the Power Pack icon to see the status.

Table 1-6 *Power Pack Status*

Icon	Bubble	Description
		Power Pack is connected to the ET5X.
		Power Pack is removed from to the ET5X.
		Power Pack is connected to the ET5X and the ET5X is in the dock charging.
		Power Pack is fully discharged.
		Power Pack is outside its operating temperature (-10°C to 50°C/14°F to 122°F).

To view the Power Pack charge level:

1. Remove the Power Pack from the Expansion Back.
2. Press the Charge Status button. The Charge Status LEDs light to indicate the charge level.

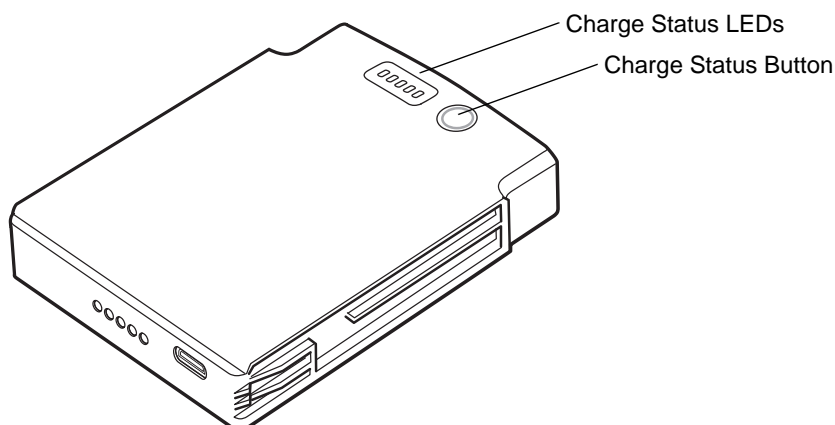








Table 1-7 Power Pack Charge Status Indicators

Power Pack Indicators	Description
	Charge level is 100%.
	Charge level is 80%.
	Charge level is 60%.
	Charge level is 40%.
	Charge level is 20%.
 Blinking	Charge level is below 20%.

Battery Management

Battery Saving Tips

- Set the ET5X to turn off after a short period of non-use.
- Set the display to turn off or dim backlight.
- Turn off all wireless radio activity when not in use.


Changing the Power Settings

To set the ET5X to turn off after a short period of non-use:

1. Swipe-in from the right edge of the display.
2. Touch **Settings** > **Change PC settings** > **PC and devices** > **Power and sleep**.
3. Under **Sleep**, choose when you want the ET5X to go to sleep (on battery and when plugged in).

Manually Changing the Display Brightness

To manually change the display brightness:

1. Swipe-in from the right edge of the display.
2. Touch **Settings** > **Screen** icon .
3. Move the slider to adjust the brightness.

Automatically Changing the Display Brightness

To toggle automatic brightness:


1. Swipe-in from the right edge of the display.
2. Touch **Settings > Change PC settings > PC and devices > Power and sleep**.
3. Slide the switch to the **On** or **OFF** position.

Screen Orientation

For optimal viewing experience, the screen orientation changes automatically to portrait or landscape depending on how you hold the ET5X. You can disable automatic screen rotation and lock the screen in portrait or landscape mode.

NOTE: Some applications may not support automatic screen rotation and are designed to work only in one orientation.

To lock the screen orientation:

1. Rotate the screen to the desired orientation.
2. Swipe-in from the right edge of the display.
3. Touch **Settings > Screen** icon .
4. Touch the Screen rotation icon. A lock appears on the Screen icon.

Resetting the ET5X



CAUTION Resetting the ET5X erases all data from the ET5X, including your account configuration, apps, music, pictures, files, and so on. Make sure that you back up all the required data before you proceed.

Resetting the ET5X returns Windows to original factory settings.

To reset the ET5X:

1. Swipe-in from the right edge of the display.
2. Touch **Settings > Change PC settings > Update and recovery > Recovery**.
3. Under **Remove everything and reinstall Windows**, touch **Get started**.
4. Read the warning and touch **Next**.

CHAPTER 2 USING THE TABLET

Introduction

This chapter provides instructions on how to use some basic applications and many of the ET5X features.

Start Screen




The Start screen displays a list of default and custom Live Tiles, which act as shortcuts to the installed apps.



Figure 2-1 Start Screen

Live Tiles on the Start screen change and update in real time to show news and sports updates, weather updates, social-networking feeds, etc.

The tile-based user interface gives direct access to the most recently used applications, emails, photos, contacts, updates from social-networking sites, and frequently viewed websites. You can pin your favorite apps as tiles to customize the Start screen.

✓ **NOTE** Live Tiles can be added or removed by using **Pin to taskbar** , **Pin to Start**  or **Unpin from Start**  options.

Accessing the Start Screen

When the ET5X boots, the Start screen appears. To access the Start screen from any other window:

- Press the Windows button  under the display.
- Swipe-in from the right edge of the display, and then touch .

Using the Multi-Touch Screen

Depending on the application, some gestures might not be available.

- **Touch:** Open an application or perform an action on an open application, such as copy, save and delete, depending on the application.
- **Touch and hold:** Open a menu.
- **Slide:** Scroll through items, such as lists, pages, and photos.
- **Drag:** Move an object.
- **Move two fingers closer together:** Zoom out.
- **Move two fingers farther apart:** Zoom in.
- **Put two or more fingers on an item and then rotate your fingers clockwise or counterclockwise:** Rotate an item.
- **Swipe in from the right edge:** Display the icons that contain system commands, such as Start, Settings, Search, Share, and Devices.
- **Swipe in from the left edge:** Cycle through and switch to open applications.
- **Swipe in and out on the left edge:** View the recently used applications or select an active applications from the list.
- **Swipe up to the top edge:** View all applications on the Start screen.
- **Swipe in from the top or bottom edge of the Start screen, touch Customize, and then tap the desired icon:** Customize tiles on the Start screen, or uninstall an application.
- **Swipe in from the top or bottom edge of an open application:** View the application commands on an open application, such as Copy, Save, and Delete, depending on the application.
- **Swipe in from the top edge to the bottom on an open application:** Close the current application.

Using the On-Screen Keyboard

Use the On-Screen Keyboard to type text, numbers, symbols, and other characters. The touch keyboard and handwriting panel also can be used to perform handwriting.

When you rotate the ET5X, the On-Screen Keyboard or the touch keyboard and handwriting panel automatically rotates to the corresponding portrait or landscape view.

To open the On-Screen Keyboard:

1. Swipe in from the right edge of the screen.
2. Touch the **Search** icon to search for **Keyboard**.
3. Tap **On-Screen Keyboard**.

To open the touch keyboard and handwriting panel:

1. Swipe in from the right edge of the screen.
2. Tap the **Settings** icon.
3. Tap **Keyboard**. Touch **keyboard and handwriting panel**.

To configure the input language:

1. From the desktop, swipe in from the right edge of the screen.
2. Tap **Settings > Control Panel**.
3. Tap **Clock, Language, and Region > Change input methods**.
4. Follow the instructions on the screen to configure the input language.

Using the Active Stylus

✓ **NOTE** Active Stylus is only supported on 10" tablet.

The optional Active Stylus provides easy writing, drawing, and navigation and accuracy with the thin tip and hovering capabilities. The stylus is designed to work on the ET5X 10" model as an alternative to finger touch input. Use the stylus to select objects, drawing, taking notes, and signing documents.

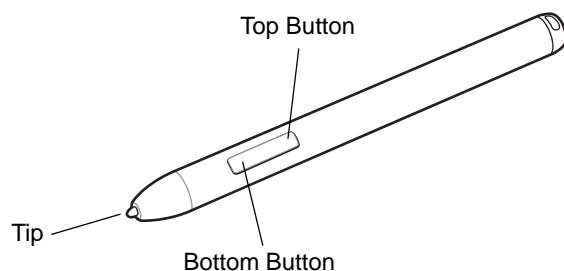


Figure 2-2 Active Stylus

To activate the stylus, press the tip against the screen. To save power, the pen automatically deactivates if the tip has no pressure for one minute. If the pen has not been used within the last minute, press the tip against the screen before using the stylus.

To perform a mouse left click, press the tip of the stylus on the object to click.

To drag and select multiple objects or text on the screen, press the tip against the screen and drag.

To perform a mouse right click, place the tip of the stylus on the object, hold down until a circle appears and then release.

To switch from stylus to touch mode, lift the pen off the screen and wait about 1.5 seconds before touching the screen.

The two position button provides additional functionality depending upon the application. For example, in the **Windows Journal** application, press the top portion of the button to activate the erase feature or the bottom of the button to activate the selection feature.

Using the Camera

To take photos or videos:

1. Open the Camera application. The Camera Indicator LED lights red.
2. Point the ET5X camera at an object.
3. Touch the on-screen shutter button to take a photo or record a video.

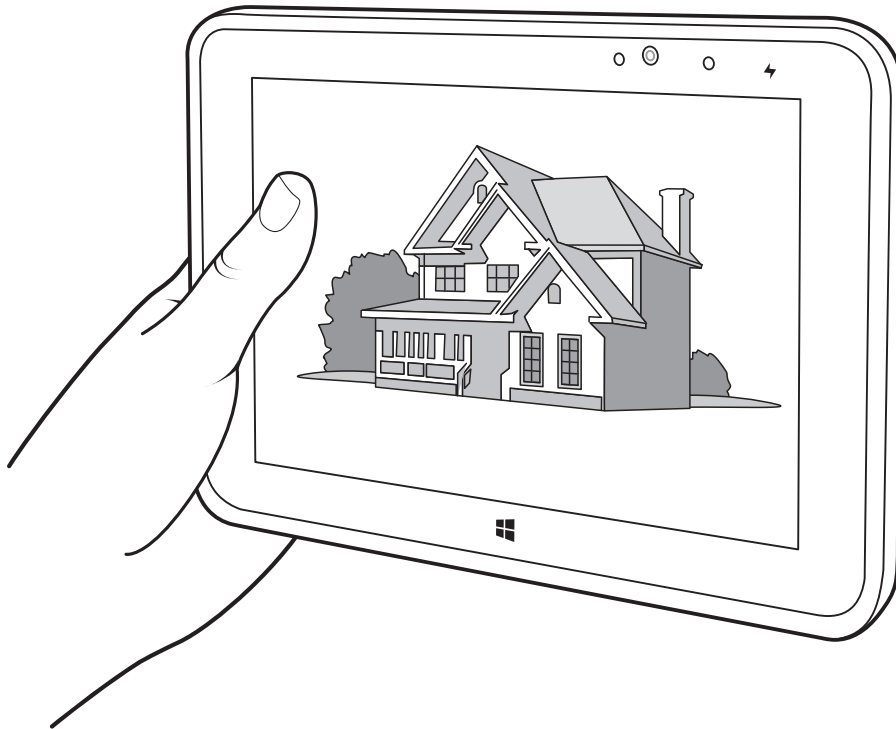


Figure 2-3 *Taking Photos*

Reading NFC Cards and RFID Tags

The ET5X supports reading NFC cards and RFID tags. The NFC antenna is located on the back of the device under the NFC logo.

With an NFC enabled application open, bring the NFC card toward the antenna. Depending upon the application, an audio or visual indication indicates successful reading of the card.

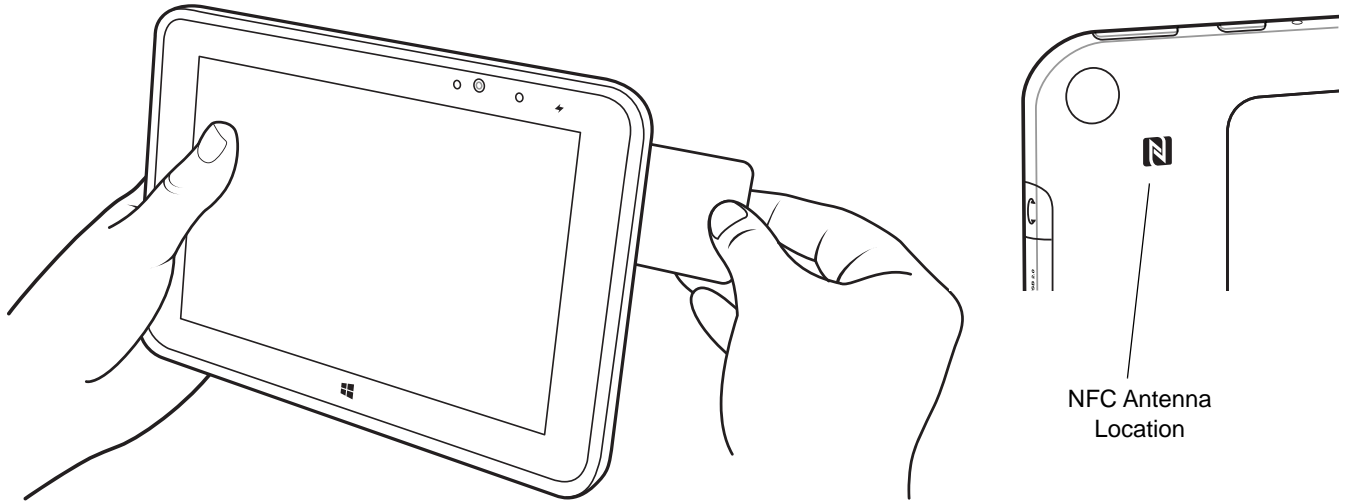


Figure 2-4 *Reading NFC Card*

CHAPTER 3 WIRELESS

The ET5X can connect to a variety of networks and devices, including mobile networks (3G or 4G), Wi-Fi data networks, Bluetooth and NFC devices.



NOTE Some configurations can connect to both mobile networks (3G or 4G) and Wi-Fi networks, while others can only connect to Wi-Fi networks. If the tablet supports Wi-Fi connection only, the information related to mobile networks does not apply to the tablet.

Determining Mobile Network

If connected to a network, you can check the network name to see which mobile network you are using.

To check the network name:

1. Swipe in from the right edge of the screen.
2. Tap the **Settings** icon. The network name displays under the network icon.
3. On the desktop, move the pointer to the network icon in the Windows notification area. The network name displays.

Wireless Local Area Networks

Wireless local area networks (WLANs) allow the ET5X to communicate wirelessly inside a building. Before using the ET5X on a WLAN, the facility must be set up with the required hardware to run the WLAN (sometimes known as infrastructure). The infrastructure and the ET5X must both be properly configured to enable this communication.

Refer to the documentation provided with the infrastructure (access points (APs), access ports, switches, Radius servers, etc.) for instructions on how to set up the infrastructure.

Once the infrastructure is set up to enforce the chosen WLAN security scheme, use the **Wireless & networks** settings to configure the ET5X to match the security scheme.

The ET5X supports the following WLAN security options:

- Open (No Authentication required)
- Wired Equivalent Privacy (WEP).
- Wi-Fi Protected Access (WPA)/WPA2 Personal (PSK).
- Extensible Authentication Protocol (EAP).
 - Protected Extensible Authentication Protocol (PEAP) - with MSCHAPV2 and GTC authentication.
 - Transport Layer Security (TLS)
 - TTLS - with MSCHAPv2
 - Subscriber Identity Module (SIM)
 - Authentication and Key Agreement (AKA).

The task tray displays icons that indicate Wi-Fi status.



NOTE Turn off Wi-Fi when not using it, to extend the life of the battery.

Connecting to a Wi-Fi Network

To establish a Wi-Fi network connection:

1. Swipe in from the right edge of the screen.
2. Touch **Settings** icon.
3. Touch the network icon. A list of available Wi-Fi networks display.

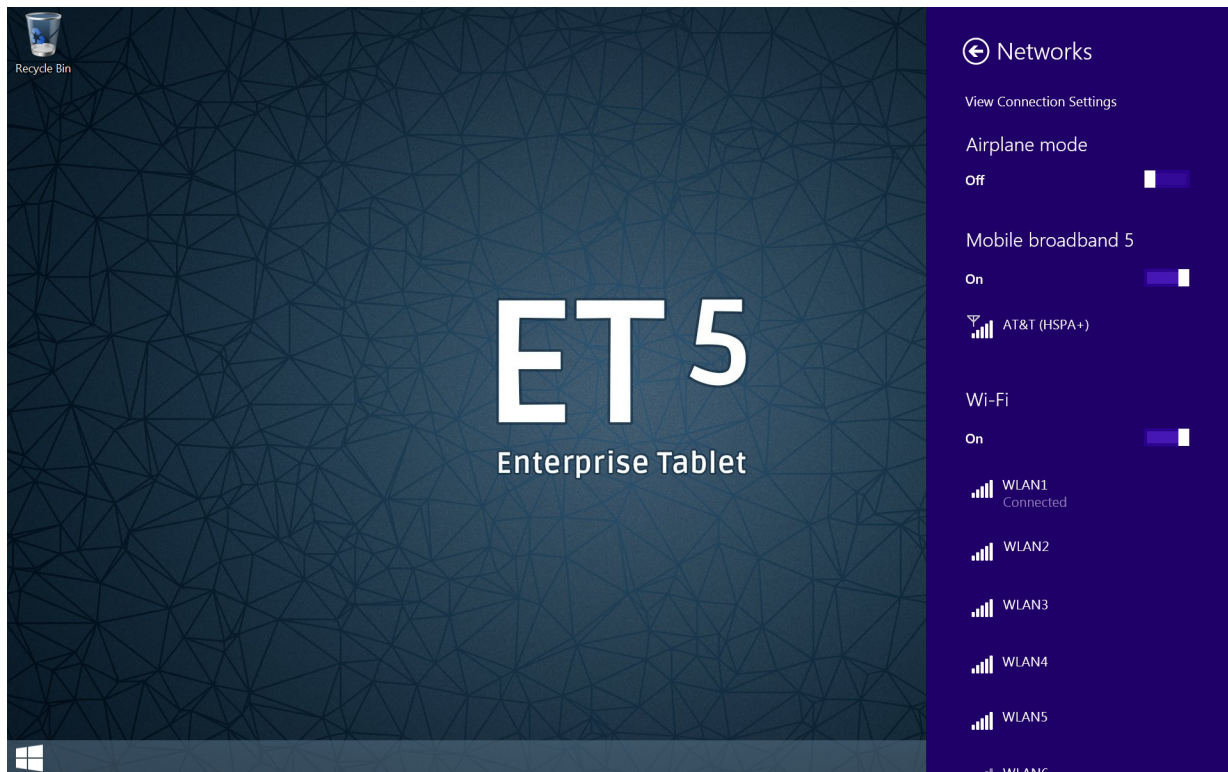


Figure 3-1 Available Networks

4. Touch the network to connect.
5. Touch the **Connect automatically** checkbox to allow the ET5 to connect automatically to this network whenever the device is on.
6. Touch **Connect**.
7. If required, enter security key and then touch **Next**.
8. Touch **Yes** to find PCs and devices on the network or **No** to not find these devices. Once connected, **Connected** appears under the network name.

View Network Information

To view security, address, and other information about the connected Wi-Fi network:

1. Swipe in from the right edge of the screen.
2. Touch **Settings > Change PC settings**.
3. In the navigation panel, touch **Network > Connections**.
4. In the **Wi-Fi** section, touch the network name to view the information.

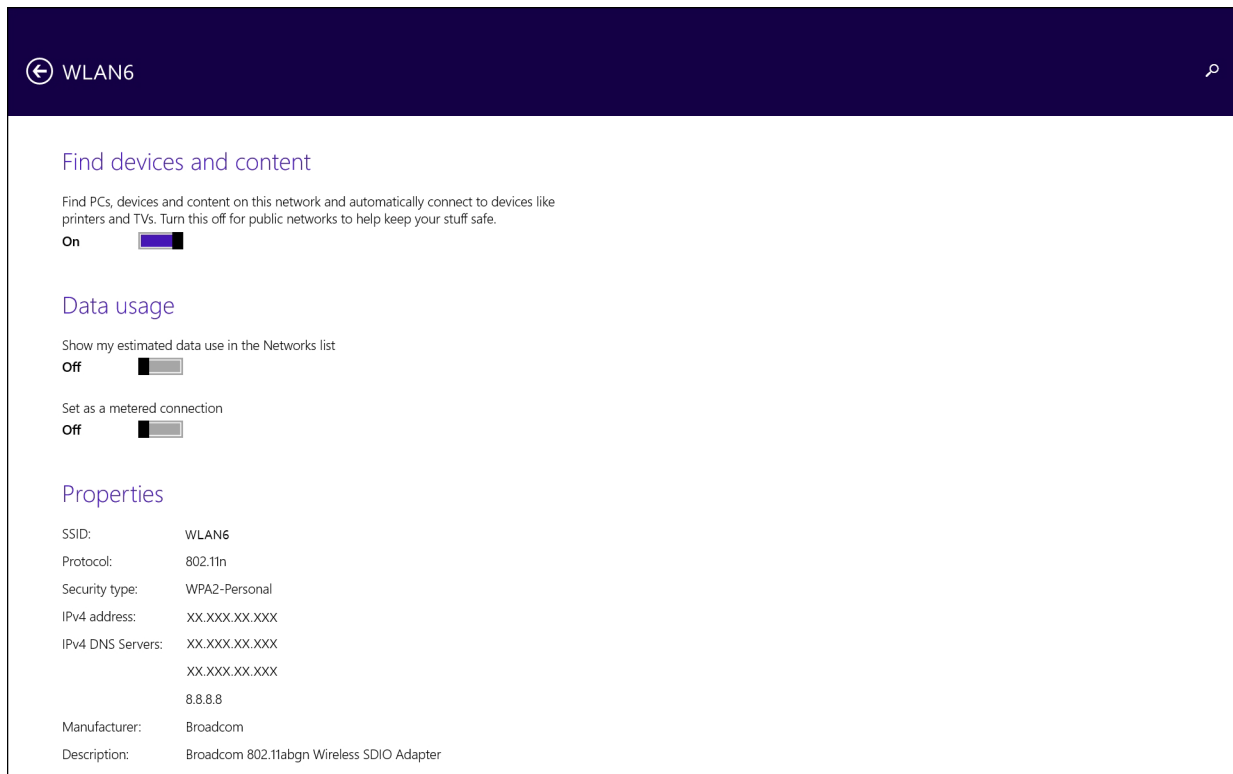


Figure 3-2 Network Information

Proxy Settings

The ET5X supports the proxy feature for Wi-Fi connection. The proxy feature enables you to access more Web-based source and browse Internet more securely. To configure the proxy settings when connecting to a Wi-Fi network:

1. Swipe in from the right edge of the screen.
2. Touch **Settings > Change PC settings**.
3. In the navigation panel, touch **Network > Proxy**.

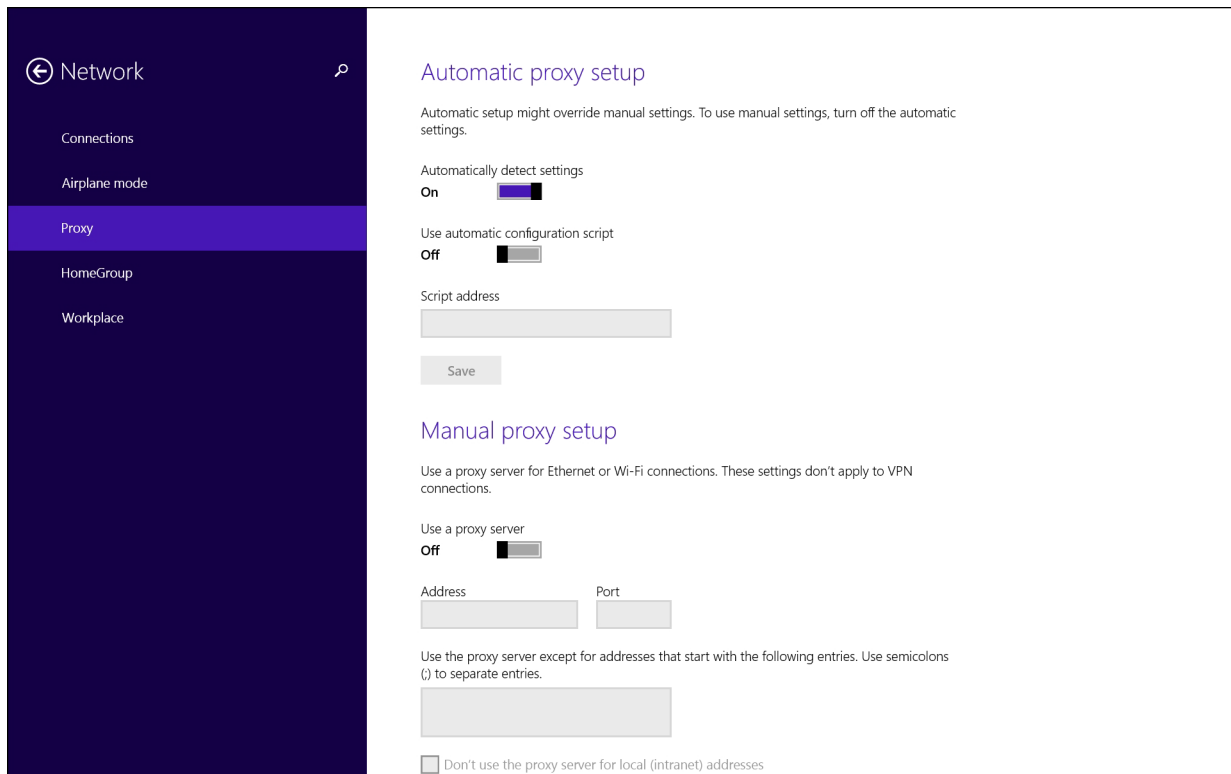


Figure 3-3 Proxy Setup

4. In the **Manual proxy setup** section, slide the **Use proxy server** switch to the right.
5. In the **Address** text box, enter the address of the proxy server.
6. In the **Port** text box, enter the port number for the proxy server.

✓ **NOTE** When entering proxy addresses, do not use spaces or carriage returns between addresses.

7. In the text box, enter addresses for web sites that do not require to go through the proxy server. Use the semicolons between addresses.
8. Touch **Save**.

Adding a Wi-Fi Network

To access a Wi-Fi network that does not broadcast its network name (also called a service set identifier or SSID), you must add that Wi-Fi network before you can connect to it.

To add a Wi-Fi network:

1. Swipe in from the right edge of the screen.
2. Touch the **Settings** icon.
3. Touch the network icon. A list of available Wi-Fi networks display.
4. Touch **Hidden network**.
5. Follow the instructions on the screen to add a Wi-Fi network.

Connecting to a Mobile Network

A micro SIM card is required to connect to a mobile network. To connect to the mobile network:

1. Swipe in from the right edge of the screen.
2. Touch the **Settings**.
3. Touch the **network** icon. A list of available networks displays.
4. In the **Mobile broadband** section, slide the control to the right to turn it on.
5. Touch the network name. A menu displays.
6. Touch **Connect**.

When you are connected to the mobile network, set the active mobile network as metered connection to reduce the amount of data you send and receive.

To set the active mobile network as metered connection:

1. Swipe in from the right edge of the screen.
2. Touch **Settings > Change PC settings**.
3. In the navigation panel, touch **Network > Connections**.
4. In the **Mobile broadband** section, touch the network name.
5. In the **Data usage** section, slide the **Set as a metered connection** control to the right to turn it on.

After setting up the mobile network as a metered connection, you can disable the Download over metered connections feature to prevent extra charges.

To disable the Download over metered connections feature:

1. Swipe in from the right edge of the screen.
2. Touch **Settings > Change PC settings**.
3. In the navigation panel, touch **PC and devices > Devices**.
4. In the **Download over metered connections** section, slide the control to the left to turn it off.

Sharing the Internet Connection

To share your Internet connection:

1. Swipe in from the right edge of the screen.
2. Touch **Settings > Change PC settings**.
3. In the navigation panel, touch **Network > Connections**.
4. In the **Mobile broadband** section, touch the network name. A menu displays.
5. In the **Share this connection** section, slide the control to the right to turn it on.

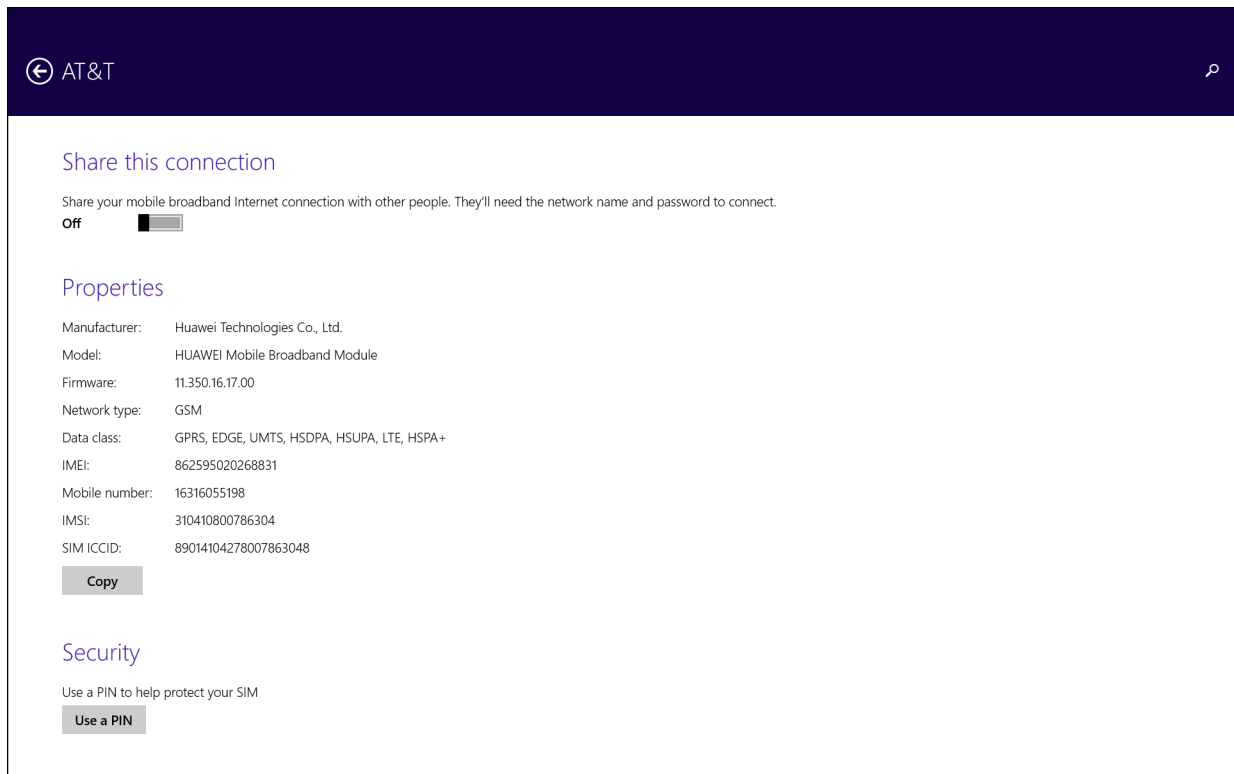


Figure 3-4 *Share This Connection*

Using Bluetooth Devices

Bluetooth-equipped devices can communicate without wires, using frequency-hopping spread spectrum (FHSS) radio frequency (RF) to transmit and receive data in the 2.4 GHz Industry Scientific and Medical (ISM) band (802.15.1). Bluetooth wireless technology is specifically designed for short-range (10 meters (32.8 feet)) communication and low power consumption.

Devices with Bluetooth capabilities can exchange information (e.g., files, appointments, and tasks) with other Bluetooth enabled devices such as printers, access points, and other mobile devices.

Adaptive Frequency Hopping

Adaptive Frequency Hopping (AFH) is a method of avoiding fixed frequency interferers, and can be used with Bluetooth voice. All devices in the piconet (Bluetooth network) must be AFH-capable in order for AFH to work. There is no AFH when connecting and discovering devices. Avoid making Bluetooth connections and discoveries during critical 802.11b communications. AFH for Bluetooth consists of four main sections:

- **Channel Classification** - A method of detecting an interference on a channel-by-channel basis, or pre-defined channel mask.
- **Link Management** - Coordinates and distributes the AFH information to the rest of the Bluetooth network.
- **Hop Sequence Modification** - Avoids interference by selectively reducing the number of hopping channels.
- **Channel Maintenance** - A method for periodically re-evaluating the channels.

When AFH is enabled, the Bluetooth radio “hops around” (instead of through) the 802.11b high-rate channels. AFH coexistence allows Enterprise devices to operate in any infrastructure.

The Bluetooth radio in this device operates as a Class 2 device power class. The maximum output power is 2.5 mW and the expected range is 10 meters (32.8 ft.). A definition of ranges based on power class is difficult to obtain due to power and device differences, and whether one measures open space or closed office space.



NOTE It is not recommended to perform Bluetooth wireless technology inquiry when high rate 802.11b operation is required.

Security

The current Bluetooth specification defines security at the link level. Application-level security is not specified. This allows application developers to define security mechanisms tailored to their specific need. Link-level security occurs between devices, not users, while application-level security can be implemented on a per-user basis. The Bluetooth specification defines security algorithms and procedures required to authenticate devices, and if needed, encrypt the data flowing on the link between the devices. Device authentication is a mandatory feature of Bluetooth while link encryption is optional.

Pairing of Bluetooth devices is accomplished by creating an initialization key used to authenticate the devices and create a link key for them. Entering a common personal identification number (PIN) in the devices being paired generates the initialization key. The PIN is never sent over the air. By default, the Bluetooth stack responds with no key when a key is requested (it is up to user to respond to the key request event). Authentication of Bluetooth devices is based-upon a challenge-response transaction. Bluetooth allows for a PIN or passkey used to create other 128-bit keys used for security and encryption. The encryption key is derived from the link key used to authenticate the pairing devices. Also worthy of note is the limited range and fast frequency hopping of the Bluetooth radios that makes long-distance eavesdropping difficult.

Recommendations are:

- Perform pairing in a secure environment
- Keep PIN codes private and do not store the PIN codes in the device
- Implement application-level security.

Bluetooth Profiles

The device supports the following Bluetooth services:

- **Generic Access Profile (GAP)** - Use for device discovery and authentication.
- **Service Discovery Protocol (SDP)** - Handles the search for known and specific services as well as general services.
- **Headset Profile (HSP)** - Provides support for Bluetooth headsets to be used with the tablet.
- **Serial Port Profile (SPP)** - Allows use of RFCOMM protocol to emulate serial cable connection between two Bluetooth peer devices. For example, connecting the device to a printer.
- **General Object Exchange Profile (GOEP)** - Provides a basis for other data profiles. Based on OBEX and sometimes referred to as such.
- **Handsfree Profile (HFP)** - Allow car hands-free kits to communicate with mobile phones in the car.
- **Advanced Audio Distribution Profile (A2DP)** - Allows the device to stream stereo-quality audio to a wireless headset or wireless stereo speakers.
- **Object Push Profile (OPP)** - Allows the device to push and pull objects to and from a push server.
- **PhoneBook Access Profile (PBAP)** - Allows exchange of Phone Book Objects between a car kit and a mobile phone to allow the car kit to display the name of the incoming caller; allow the car kit to download the phone book so the user can initiate a call from the car display.
- **Audio/Video Remote Control Profile (AVRCP)** - Allows the device to control A/V equipment to which a user has access. It may be used in concert with A2DP.
- **General Audio/Video Distribution Profile (GAVDP)** - Provides the basis for A2DP, and VDP.
- **Human Interface Device Profile (HID)** - Allows Bluetooth keyboards, pointing devices, gaming devices and remote monitoring devices to connect to the device.
- **Personal Area Network (PAN)** - Allows the use of Bluetooth Network Encapsulation Protocol to provide L3 networking capabilities over a Bluetooth link. Only PANU role is supported.
- **Message Access Profile (MAP)** - Allows exchange of messages between devices. Mostly used for automotive handsfree use and other uses that require the exchange of messages between two devices.

Pairing with a Bluetooth Device

To connect and exchange data with another Bluetooth device, pair the ET5X with the Bluetooth device:

1. Swipe in from the right edge of the screen.
2. Touch **Settings > Change PC settings**.
3. In the navigation panel, touch **PC and devices > Bluetooth**.
4. Slide the control to the right to turn it on. The ET5X searches for Bluetooth devices.
5. When the Bluetooth device you want to pair is found, touch the ID of the Bluetooth device.

6. Touch **Pair**.

Unpairing a Bluetooth Device

To unpair a Bluetooth device:

1. Swipe in from the right edge of the screen.
2. Touch **Settings > Change PC settings**.
3. In the navigation panel, touch **PC and devices > Bluetooth**.
4. Touch the ID of the Bluetooth device to unpair.
5. Touch **Remove device**. A notification prompt displays.
6. Touch **Yes**.

CHAPTER 4 DATA CAPTURE

The ET5X supports data capture using:

- SE4710 Expansion Back
- SE4750 Expansion Back
- CS4070 Scanner
- RS507 Hands-free Bluetooth Scanner.

Scanning Considerations

Scanning consists of; aim, scan and decode. Scanning performance can be optimized by considering the range and the scanning angle:

- Range

Any scanning device decodes well over a particular working range (minimum and maximum distances from the bar code). This range varies according to bar code density and scanning device optics.

Scanning within range brings quick and constant decodes; scanning too close or too far away prevents decodes. Move the scanner closer and further away to find the right working range for the bar codes being scanned. However, the situation is complicated by the availability of various integrated scanning modules. The best way to specify the appropriate working range per bar code density is through a chart called a decode zone for each scan module. A decode zone simply plots working range as a function of minimum element widths of bar code symbols.

- Angle

The scan angle is important for optimizing decode performance. When laser beams reflect directly back into the scanner from the bar code, this specular reflection can “blind” the scanner.

To avoid this, scan the bar code so that the beam does not bounce directly back. But do not scan at too sharp an angle; the scanner needs to collect scattered reflections from the scan to make a successful decode. Practice quickly shows what tolerances to work within.



NOTE Contact the Zebra Global Customer Support if chronic scanning difficulties develop. Decoding of properly printed bar codes should be quick and effortless.

Imaging

The RS507 and CS4070 have the following features:

- Omnidirectional (360°) reading of a variety of bar code symbologies, including the most popular linear, postal, PDF417, and 2D matrix code types.
- The ability to capture and download images to a host for a variety of imaging applications.
- Advanced intuitive laser aiming for easy point-and-shoot operation.

The imager uses digital camera technology to take a digital picture of a bar code, stores the resulting image in its memory, and executes state-of-the-art software decoding algorithms to extract the data from the image.

-

Expansion Back

The Expansion Backs are bar code scanning solutions for both 1D and 2D bar code symbologies. Expansion Backs are available in the following configurations:

- SE4710 Expansion Back for 8" tablet
- SE4750 Expansion Back for 8" tablet
- SE4710 Expansion Back for 10" tablet
- SE4750 Expansion Back for 10" tablet.

Install the Expansion Back prior to use. Refer to the *ET5X Integration Guide* for installation instructions.

For scanner resources, go to the Zebra Barcode Scanner Drivers and Utilities web page, <https://www.zebra.com/us/en/products/software/scanning-systems/scanner-drivers-and-utilities.html>.

Using the SE4750 Expansion Back

- ✓ **NOTE** The Expansion Backs are configured to communicate with the ET5X using HID protocol. Captured bar code data is sent to the application as keystrokes.

The application text field has to be in-focus prior to scanning.

To read a bar code:

1. Launch an application.
2. Ensure that the text field is in focus.
3. Point the Expansion Back exit window at a bar code.

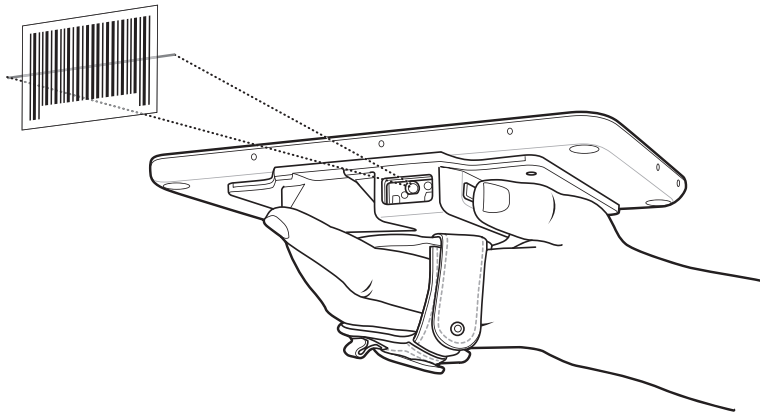


Figure 4-1 Bar Code Scanning with Expansion Back with SE4750

4. Press and hold the Scan button.

The red laser aiming pattern turns on to assist in aiming. Ensure the bar code is within the area formed by the cross-hairs in the aiming pattern. The aiming dot is used for increased visibility in bright lighting conditions.

The Expansion Back beeps to indicate the bar code was decoded successfully.

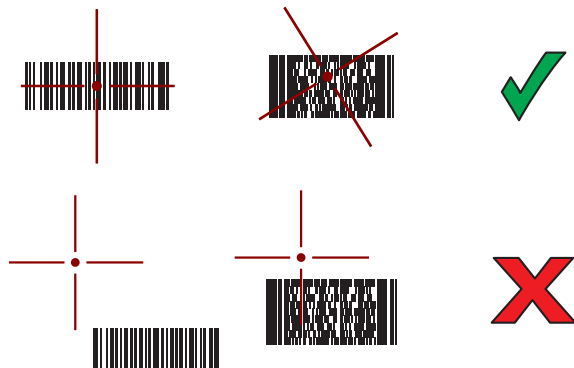


Figure 4-2 SE4750 Expansion Back Aiming Pattern

5. Release the Scan button. The bar code data displays on the screen.

Using the SE4710 Expansion Back

To read a bar code, a scan-enabled application is required.

1. Launch a scanning application.
2. Point the Expansion Back exit window at a bar code.

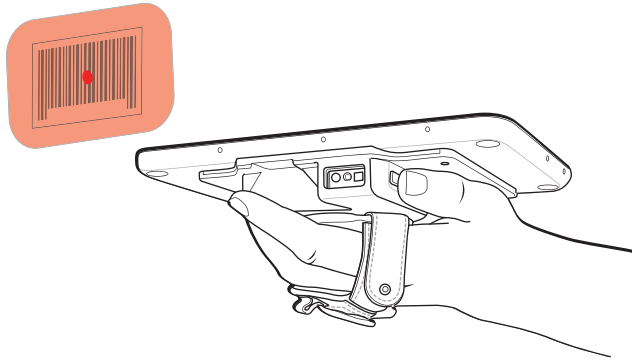


Figure 4-3 Bar Code Scanning with Expansion Back with SE4710

3. Press and hold the Scan button.

The red illumination frame and laser aiming dot turns on to assist in aiming. Ensure the bar code is within the area formed by the red illumination frame. The aiming dot is used for increased visibility in bright lighting conditions.

The Expansion Back beeps to indicate the bar code was decoded successfully.

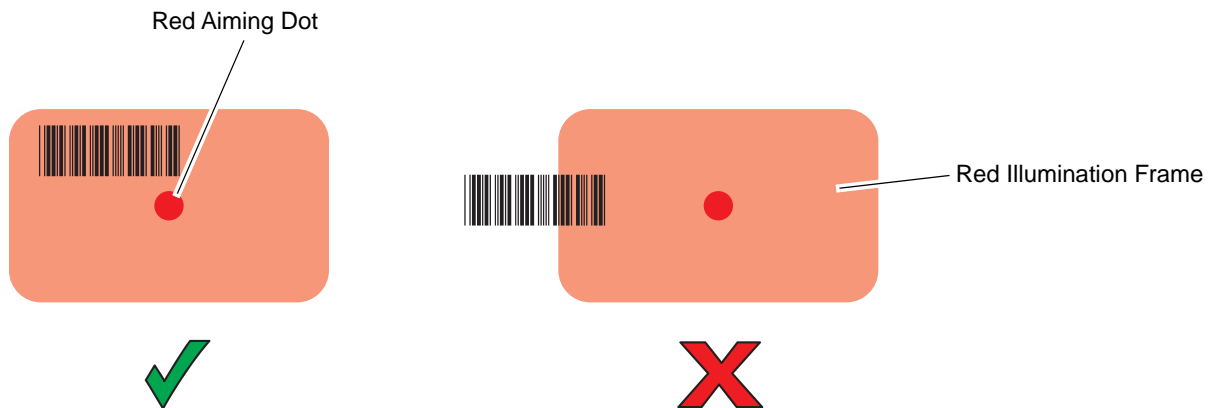


Figure 4-4 SE4710 Expansion Back Aiming Pattern

4. Release the Scan button. The bar code data displays on the screen.

RS507 Hands-Free Imager

The RS507 Hands-free Imager is a wearable bar code scan solution for both 1D and 2D bar code symbologies. The scanner supports Simple Serial Interface (SSI) and Bluetooth Human Interface Device (HID) connection to the device where the scanner emulates a keyboard.



Figure 4-5 RS507 Hands-Free Imager

Refer to the *RS507 Hands-free Imager Product Reference Guide* for more information.

Using the RS507 Hands-free Imager

An RS507 Hands-free Imager can be used with the ET5X to capture bar code data. The RS507 must first be paired to the ET5X before using.

✓ **NOTE** Only one RS507 can be paired with the ET5X at a time.

To read a bar code, a scan-enabled application is required.

1. Launch a scanning application.
2. Point the RS507 at a bar code.

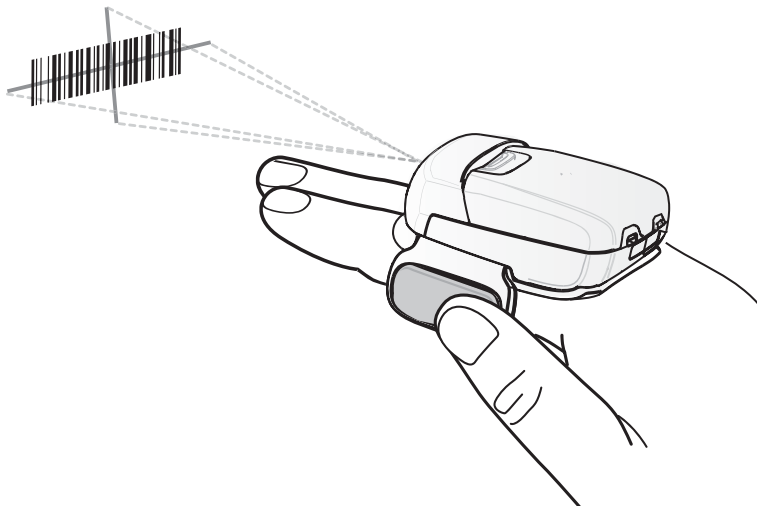


Figure 4-6 Bar Code Scanning with RS507

3. Press and hold the trigger.

The red laser aiming pattern turns on to assist in aiming. Ensure the bar code is within the area formed by the cross-hairs in the aiming pattern. The aiming dot is used for increased visibility in bright lighting conditions.

The RS507 LEDs light green, a beep sounds to indicate the bar code was decoded successfully. Note that when the RS507 is in Pick List Mode, the RS507 does not decode the bar code until the center of the crosshair touches the bar code.

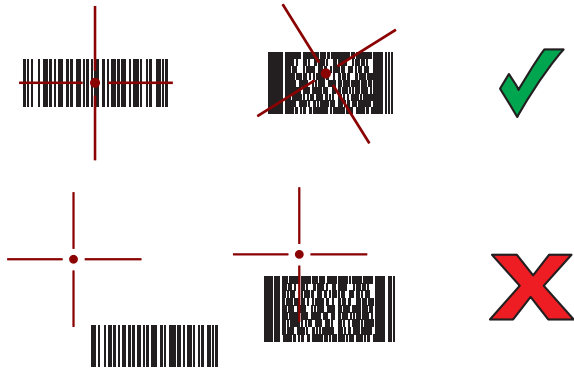


Figure 4-7 *RS507 Aiming Pattern*



Figure 4-8 *RS507 Pick List Mode with Multiple Bar Codes*

4. Release the trigger button.

Refer to the *RS507 Hands-free Imager Product Reference Guide* for more information.

Pairing the RS507 Hands-Free Imager Bluetooth HID

An RS507 Hands-free Imager can be used with the device to capture bar code data.

1. Ensure that Bluetooth is enabled on both devices.
2. Ensure that the Bluetooth device to discover is in discoverable mode.
3. Ensure that the two devices are within 10 meters (32.8 feet) of one another.
4. Place the RS507 in Human Interface Device (HID) mode. If the RS507 is already in HID mode, skip to step 5.
 - a. Remove the battery from the RS507.
 - b. Press and hold the Restore key.
 - c. Install the battery onto the RS507.
 - d. Keep holding the Restore key for about five seconds until a chirp is heard and the Scan LEDs flash green.
 - e. Scan the bar code below to place the RS507 in HID mode.



Figure 4-9 *RS507 Bluetooth HID Bar Code*

5. Remove the battery from the RS507.
6. Re-install the battery into the RS507.
7. On the ET5X, swipe in from the right edge of the screen.
8. Touch **Settings > Change PC settings**.
9. In the navigation panel, touch **PC and devices > Bluetooth**.
10. Slide the control to the right to turn it on.

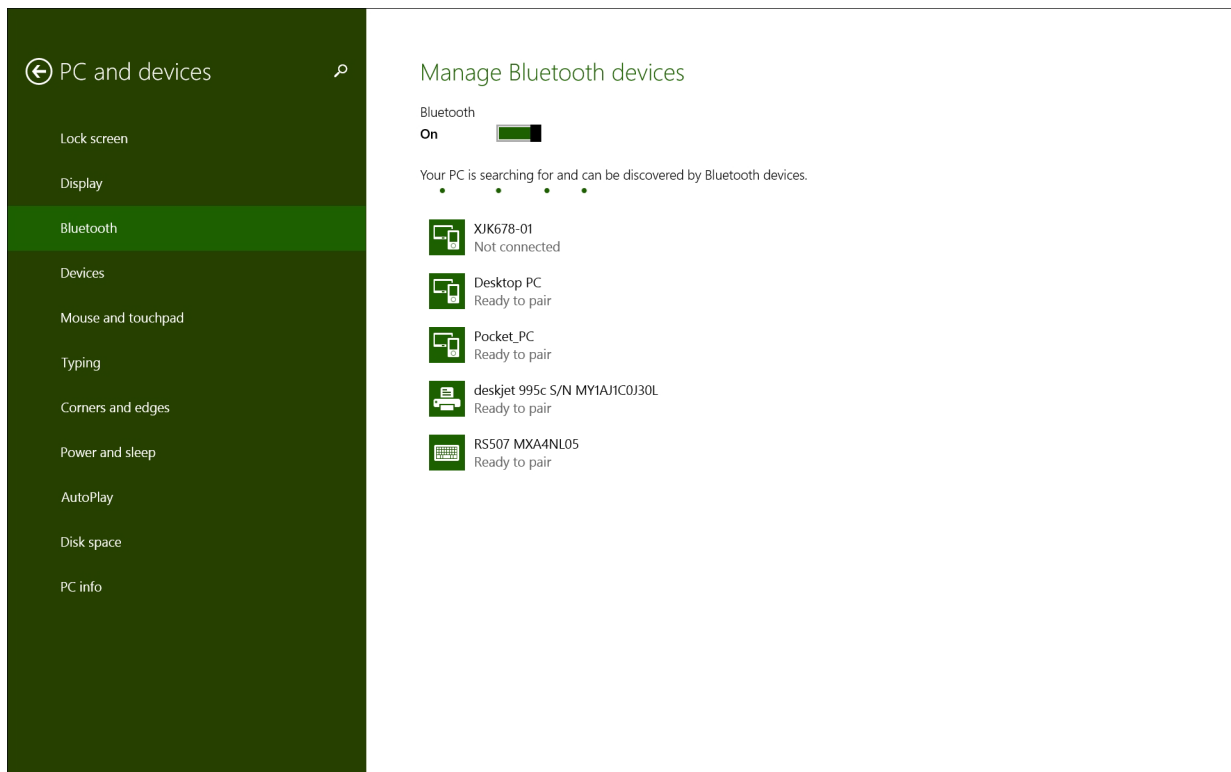


Figure 4-10 *Manage Bluetooth Devices*

11. The ET5X searches for Bluetooth devices. The RS507 appears in the list **Ready to Pair**.
12. Touch **RS507**.
13. Touch **Pair**. The ET5X pairs with the RS507. When complete **Connected** appears. The Bluetooth device is added to the Bluetooth devices list and a trusted (“paired”) connection is established.

Using the CS4070

A CS4070 can be used with the ET5X to capture bar code data. The CS4070 must first be paired to the ET5X before using.

✓ **NOTE** Only one CS4070 can be paired with the ET5X at a time.

1. Aim the scanner at the bar code.
2. Press the scan (+) button.

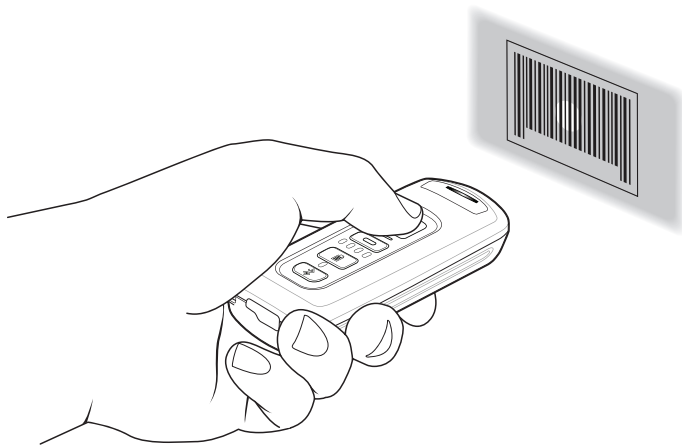


Figure 4-11 Scanning

3. Ensure the aiming dot is centered on the bar code.

The scanner beeps and the LED turns green to indicate a successful decode.

✓ **NOTE** The scanner cannot scan bar codes when it is connected to the host via the USB host cable.

✓ **NOTE** Hold down the + button for 10 seconds to toggle the beeper functionality on and off.

Deleting Bar Codes

In batch mode, to delete a bar code aim the scanner at the bar code and press the delete (-) button.

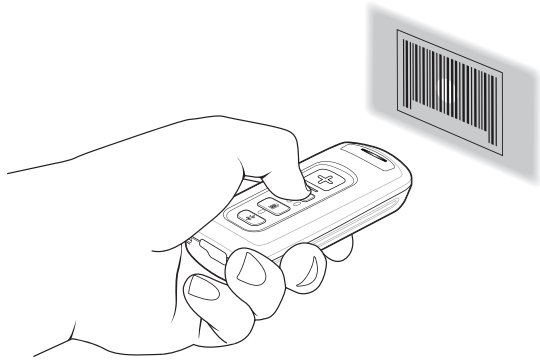


Figure 4-12 *Deleting a Bar Code in Batch Mode*

✓ **NOTE** Bar codes cannot be deleted in Bluetooth mode.

Pairing the CS4070

1. Press the scan button (+) to wake the scanner.
2. Press and hold the Bluetooth button for five seconds. The scanner beeps and the Bluetooth button blinks quickly to indicate that the scanner is discoverable by the host.
3. On the ET5X, swipe in from the right edge of the screen.
4. Touch **Settings > Change PC settings**.
5. In the navigation panel, touch **PC and devices > Bluetooth**.
6. If Bluetooth is not enabled, swipe to enable it. The CS4070 appears in the **Devices** list, indicated by its model name.
7. Select the CS4070 from the list.
8. Touch **Pair**. A window prompts for a PIN generated by the ET5X.

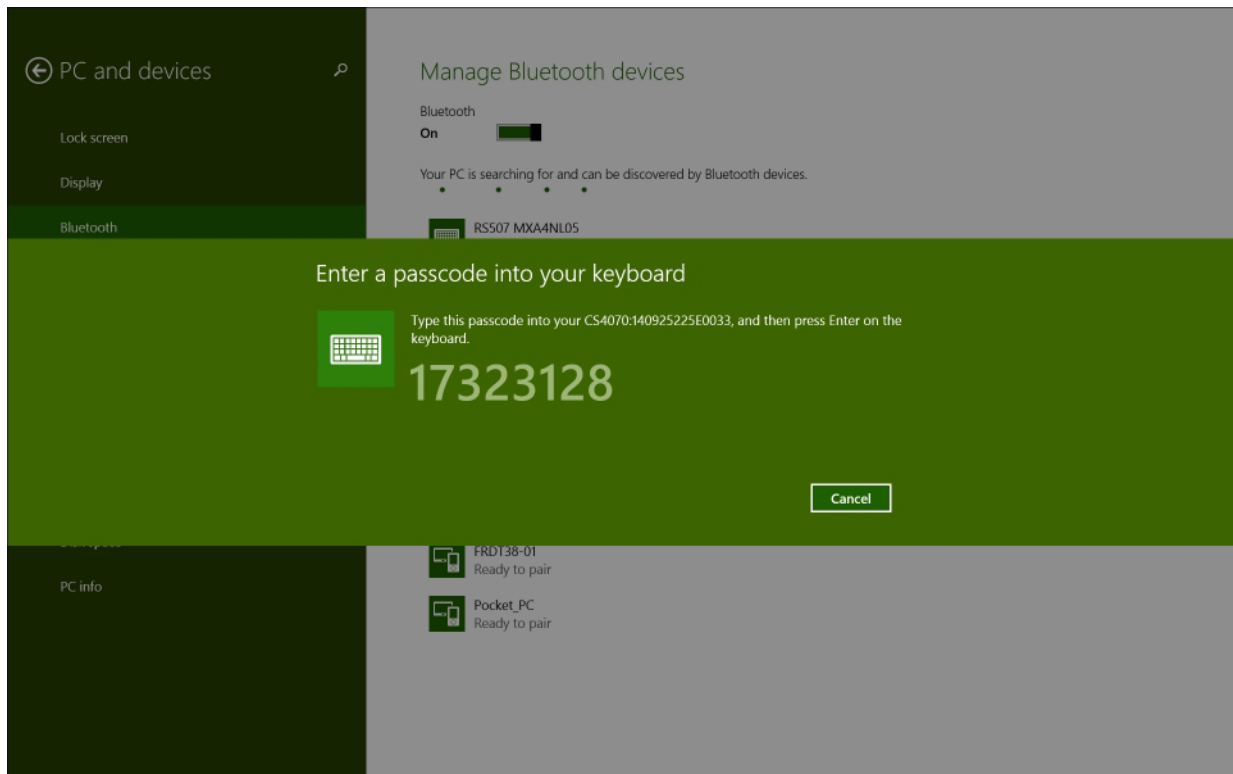


Figure 4-13 ET5X Pairing Request Window

9. With the CS4070, scan the PIN using the [PIN Entry Bar Codes on page 4-12](#) and scan **Enter**. The scanner beeps to indicate it has paired with the ET5X, and the ET5X displays Connected below the CS4070 device name.

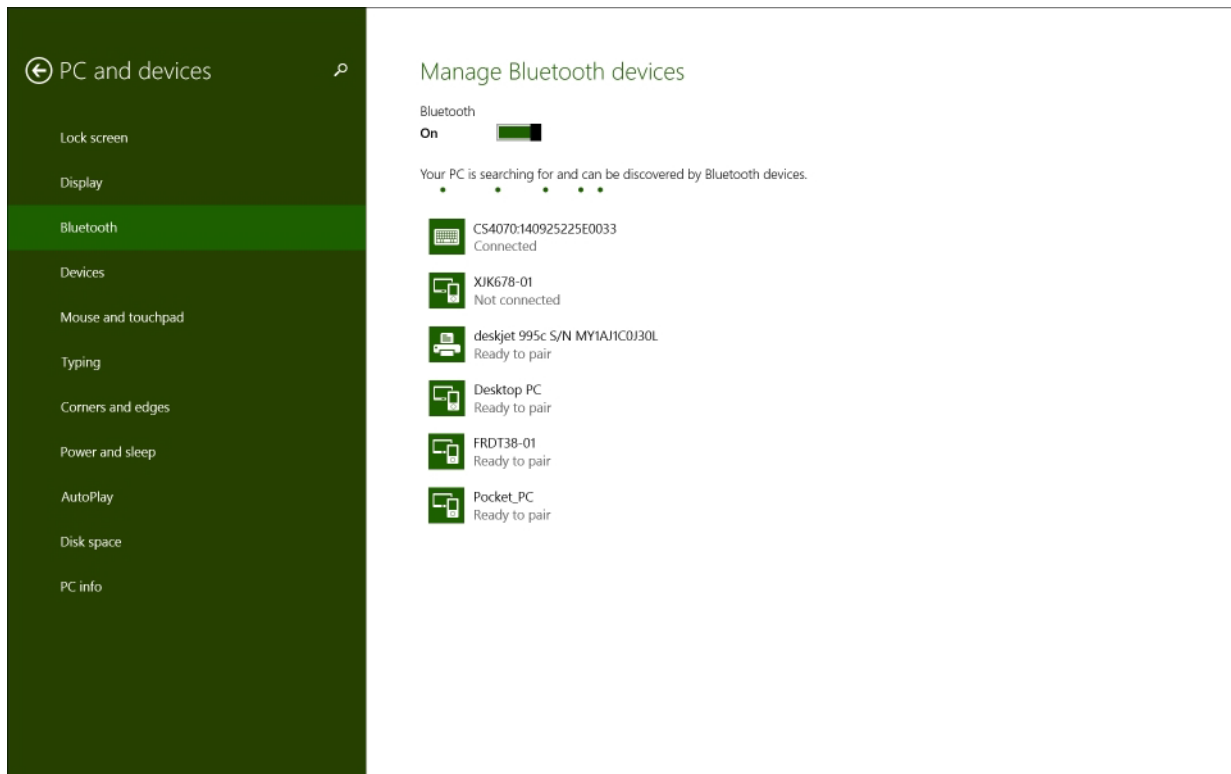


Figure 4-14 CS4070 Connected

PIN Entry Bar Codes

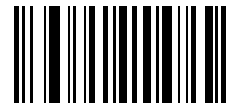
Use the following bar codes for PIN entry for Bluetooth connection.



1



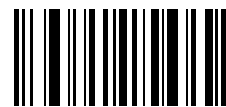
0



2



3



4

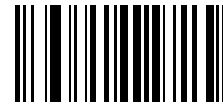


5

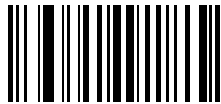
PIN Entry Bar Codes (continued)



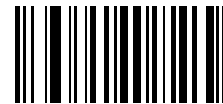
6



7



8



9



Enter



Cancel

CHAPTER 5 ACCESSORIES

Introduction

The ET5X accessories provide a variety of product support capabilities. [Table 5-1](#) lists the accessories available.

Table 5-1 *ET5X Accessories*

Accessory	Part Number	Description
Cradles		
Charge Only Cradle	CRD-ET5X-1SCG1	Charges the ET5X main battery and optional Power Pack installed in the Expansion Back. Requires power supply PWR-WGA12V60W-1WW.
Communication and Charging Cradle	CRD-ET5X-1SCOM1	Charges the ET5X main battery and optional Power Pack installed in the Expansion Back. Requires power supply PWR-WGA12V60W-1WW.
Rugged Communication and Charging Cradle	CRD-ET5X-1SCOM1R	Charges the ET5X main battery and optional Power Pack installed in the Expansion Back. Supports ET5X with rugged frame and rugged IO Adapter. Requires power supply PWR-WGA12V60W-1WW.
Chargers		
Power Supply	PWR-WGA12V60W-1WW	Provides power to the Charge Only Cradle and the Communication and Charging Cradles.
Miscellaneous		
Replacement 8" Internal Battery	BTRY-ET5X-8IN1-01	Replacement battery for 8" tablet.
Replacement 10" Internal Battery	BTRY-ET5X-10IN1-01	Replacement battery for 10" tablet.
Replacement 8" Battery Cover	KT-ET5X-8BTDR1-01	Replacement battery cover for 8" tablet.

Table 5-1 ET5X Accessories

Accessory	Part Number	Description
Replacement 10" Battery Cover	KT-ET5X-10BTDR1-01	Replacement battery cover for 10" tablet.
8" Rugged Frame with IO Adapter	SG-ET5X-8RCSE1-02	Add extra protection for the 8" tablet and IO Adapter for connection to the Rugged Communication and Charging Cradle.
10" Rugged Frame with IO Adapter	SG-ET5X-10RCSE1-01	Add extra protection for the 10" tablet and IO Adapter for connection to the Rugged Communication and Charging Cradle.
Replacement Rugged IO Connector	SG-ET5X-RGIO1-01	Replacement rugged IO connector for the Rugged Frames.
8" SE4750 Expansion Back	ZBK-ET5X-8SCN5-01	Provides data capture using the SE4750 scan engine, rotating hand strap and slot for optional Power Pack.
8" SE4710 Expansion Back	ZBK-ET5X-8SCN1-01	Provides data capture using the SE4710 scan engine, rotating hand strap and slot for optional Power Pack.
8" Expansion Back	ZBK-ET5X-8RH1-01	Provides rotating hand strap and slot for optional Power Pack.
10" SE4750 Expansion Back	ZBK-ET5X-10SCN5-01	Provides data capture using the SE4750 scan engine, rotating hand strap and slot for optional Power Pack.
10" SE4710 Expansion Back	ZBK-ET5X-10SCN1-01	Provides data capture using the SE4710 scan engine, rotating hand strap and slot for optional Power Pack.
10" Expansion Back	ZBK-ET5X-10RH1-01	Provides rotating hand strap and slot for optional Power Pack.
Power Pack	BTRY-ET5X-PRPK1-01	Provides additional power for charging the ET5X battery using an Expansion Back.
Active Stylus	KT-ET5X-ASTY1-01	Provides easy writing, drawing, and navigation and accuracy with the thin tip and hovering capabilities.
Replacement Expansion Back Hand Strap	SG-ET5X-RHTP1-01	Replacement hands strap for Expansion Backs.
Coiled Stylus Tether	SG-ET5X-SLTETR-01	Secures a stylus to the hand strap on the Expansion Backs.
10" Screen Protector	KT-ET5X-10SCRN1-01	Provides additional screen protection for 10" tablet (5-pack).
8" Screen Protector	KT-ET5X-8SCRN1-01	Provides additional screen protection for 8" tablet (5-pack).
10" Screen Protector (Rugged Frame)	KT-ET5X-8SCRN1-01	Provides additional screen protection for 10" tablet with Rugged Frame (5-pack).

Table 5-1 *ET5X Accessories*

Accessory	Part Number	Description
8" Screen Protector (Rugged Frame)	KT-ET5X-10SCRN1-02	Provides additional screen protection for 8" tablet with Rugged Frame (5-pack).
8" Operations Case	SG-ET5X-8HLST-01	Provides carrying solution for 8" tablet.
10" Operations Case	SG-ET5X-10HLST-01	Provides carrying solution for 10" tablet.
Universal Shoulder Strap	58-40000-007R	Use with the 8" Operations Case and D-clips to carry tablet on shoulder.

Charge Only Cradle



CAUTION Ensure that you follow the guidelines for battery safety described in [Battery Safety Guidelines on page 6-1](#).

This section describes how to use a Charge Only Cradle with the ET5X. The Charge Only Cradle ships with an insert that must be installed when inserting an ET5X without the protective boot installed.

The Charge Only Cradle:

- Provides power for operating the ET5X.
- Charges the ET5X's battery and optional Power Pack installed in an Expansion Back.

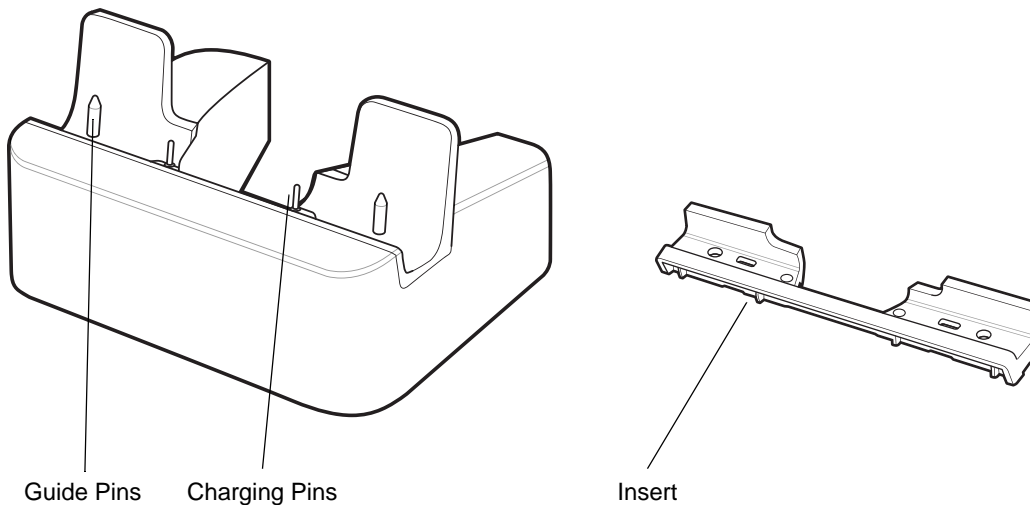


Figure 5-1 Charge Only Cradle - Front View

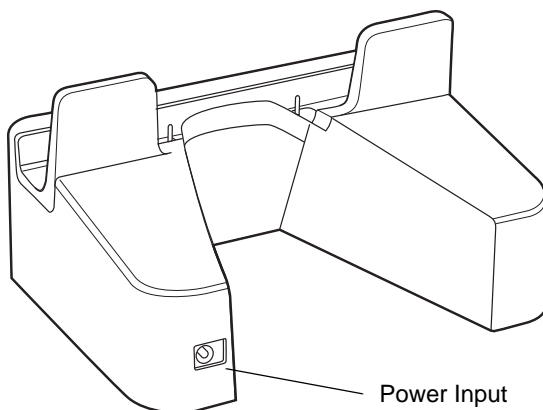


Figure 5-2 Charge Only Cradle - Rear View

The ET5X's amber charge LED shows the status of the battery charging in the ET5X. See [Table 1-4 on page 1-13](#) for charging status indications.

The battery charges in less than three hours. If an Expansion Back is attached with Power Pack, the main battery fully charges in less than 4.5 hours and the Power Pack charges in less than 3.5 hours.

Installing the Insert

The insert must be installed onto the cradle when docking an ET5X without a protective boot.

1. Align the insert over the pins.

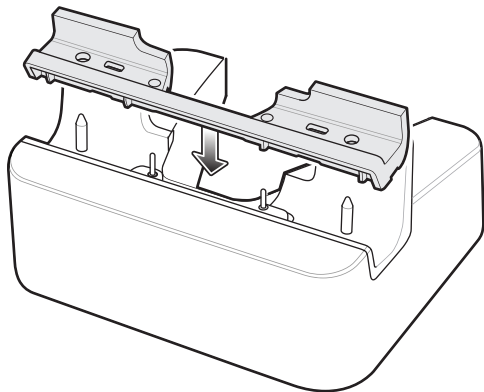


Figure 5-3 *Align Insert with Cradle*

2. Press the insert down until it seats flush in the cradle.

Communication and Charging Cradle



CAUTION Ensure that you follow the guidelines for battery safety described in [Battery Safety Guidelines on page 6-1](#).

This section describes how to use a Communication and Charging Cradle with the ET5X.

The Communication and Charging cradle:

- Provides power for operating the ET5X.
- Provides ports for connecting USB devices to the tablet, video output and connection to a LAN.
- Charges the ET5X's battery and optional Power Pack installed in an Expansion Back.

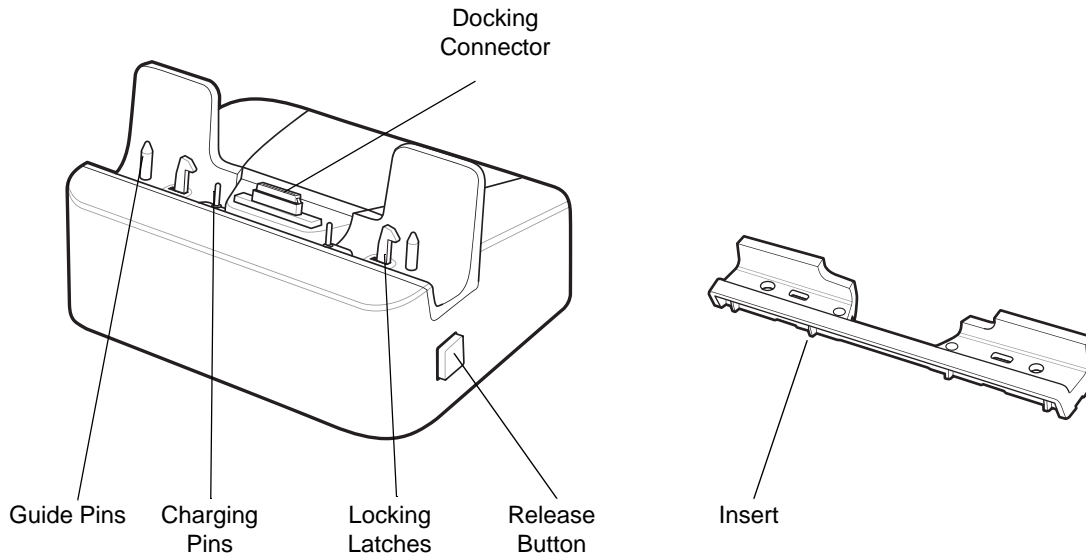


Figure 5-4 Communication and Charging Cradle - Front View

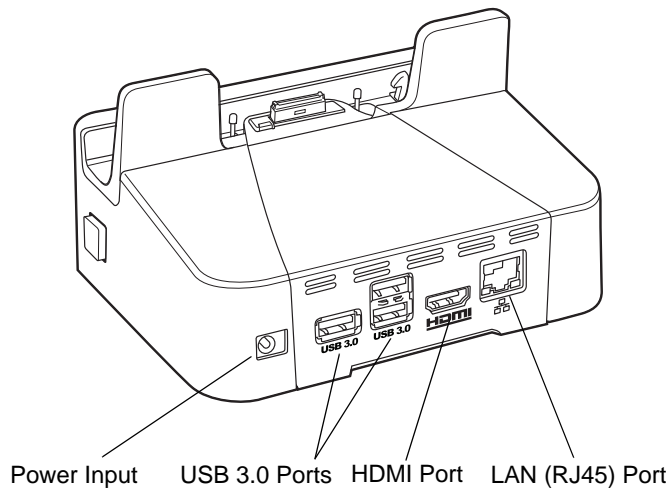


Figure 5-5 Communication and Charging Cradle - Rear View

The ET5X's amber charge LED shows the status of the battery charging in the ET5X. See [Table 1-4 on page 1-13](#) for charging status indications.

The battery charges in less than three hours. If an Expansion Back is attached with Power Pack, the main battery fully charges in less than 4.5 hours and the Power Pack charges in less than 3.5 hours

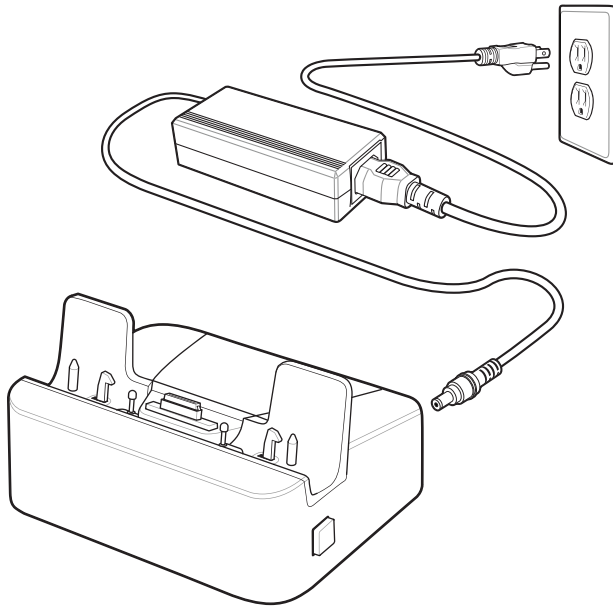


Figure 5-6 *Communication and Charging Cradle - Setup*

Installing the Insert

The insert must be installed onto the cradle when docking an ET5X without a protective boot.

1. Align the insert over the pins.

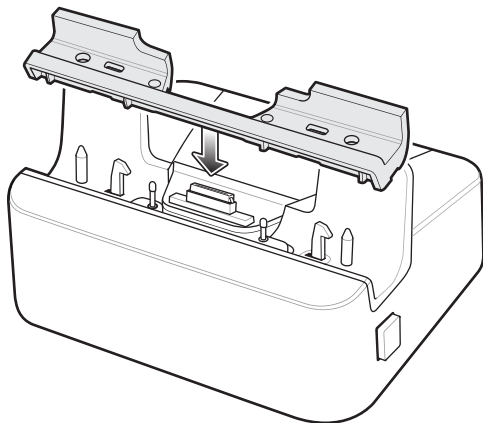


Figure 5-7 *Align Insert with Cradle*

2. Press the insert down until it seats flush in the cradle.

Rugged Communication and Charging Cradle



CAUTION Ensure that you follow the guidelines for battery safety described in [Battery Safety Guidelines on page 6-1](#).

This section describes how to use a Rugged Communication and Charging Cradle with the ET5X.

The Rugged Communication and Charging cradle:

- Provides power for operating the ET5X.
- Provides ports for connecting USB devices to the tablet, video output and connection to a LAN.
- Charges the ET5X's battery and optional Power Pack installed in an Expansion Back.

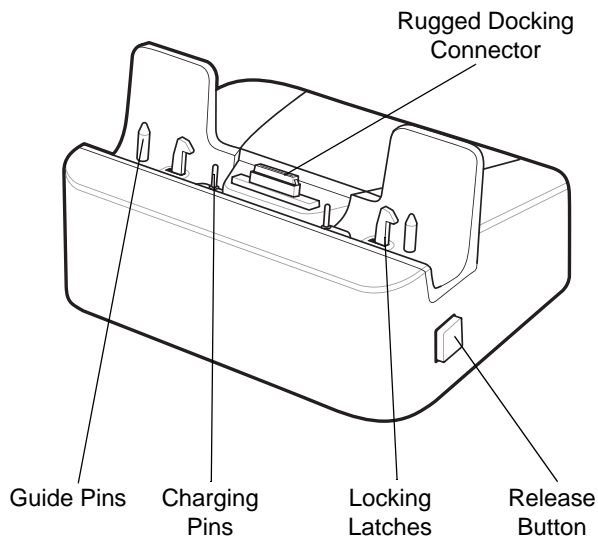


Figure 5-8 Rugged Communication and Charging Cradle - Front View

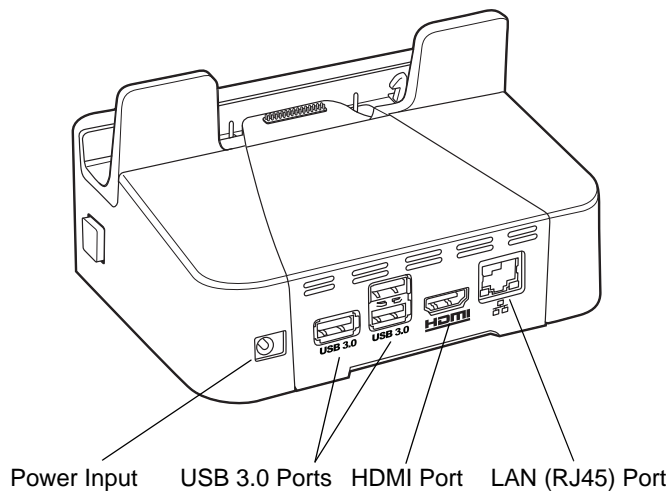


Figure 5-9 Rugged Communication and Charging Cradle - Rear View

The ET5X's amber charge LED shows the status of the battery charging in the ET5X. See [Table 1-4 on page 1-13](#) for charging status indications.

The battery charges in less than three hours. If an Expansion Back is installed, the main battery fully charges in less than 4.5 hours and the Power Pack charges in less than 3.5 hours.

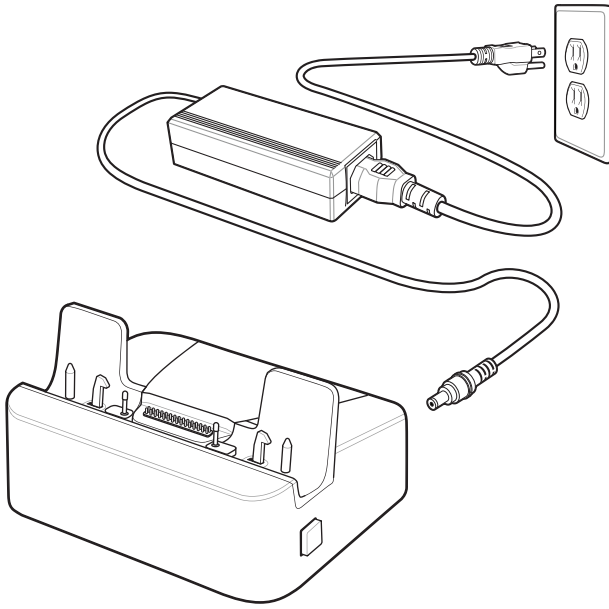


Figure 5-10 *Rugged Communication and Charging Cradle - Setup*

Power Pack

The optional Power Pack provides additional power for charging the main battery.

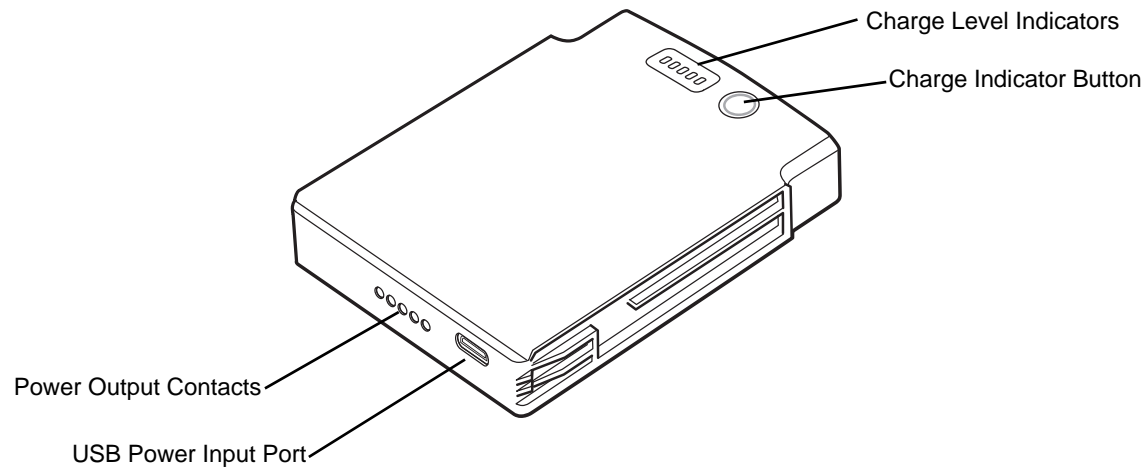


Figure 5-11 Power Pack

1. Install one of the optional Expansion Backs. See *ET5X Integrator Guide* for more information.
2. Press the two release buttons on the side of the Expansion Back. The dummy battery insert ejects slightly.

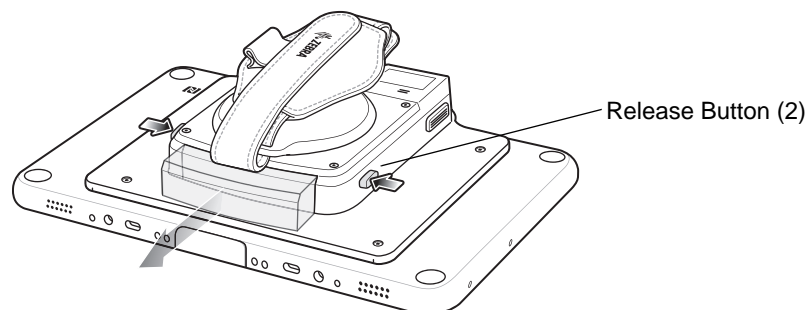


Figure 5-12 Remove Dummy Battery Insert

3. Remove dummy battery insert.
4. Insert Power Pack into slot until it snaps into place.

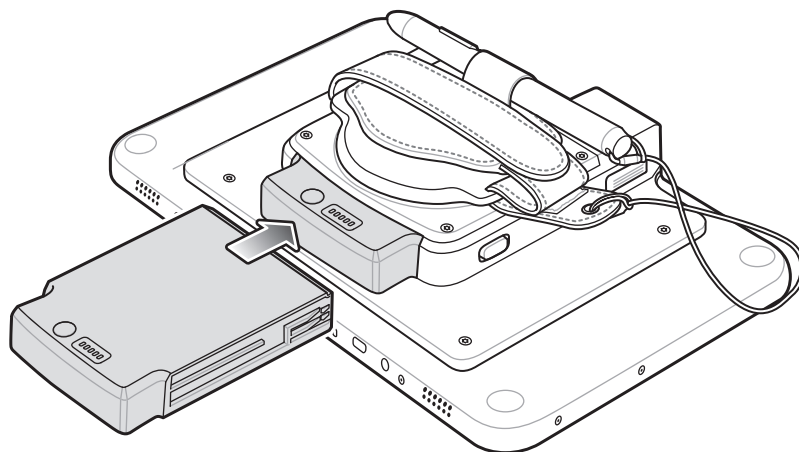


Figure 5-13 *Install Power Pack*

Charging the Power Pack

Charge the Power Pack using:

- Dock
- USB power adapter.

Using Dock

With the Power Pack installed in an Expansion Back, place the ET5X into the dock. The Power Pack charges in less than 3.5 hours.

Using USB Power Adapter

Charge the Power Pack using a suitable power source that supplies 5 VDC @ 2A. The Power Pack charges in less than five hours,

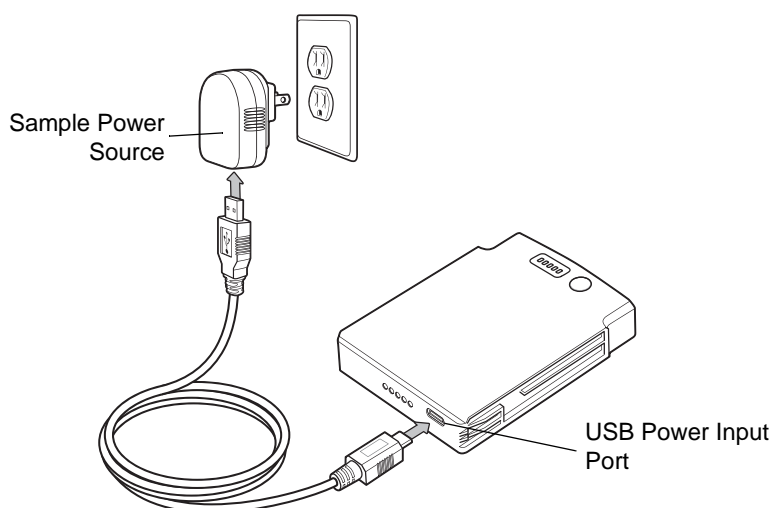


Figure 5-14 *Charging Using Suitable Power Source*

When charging, the Charge LEDs indicate the charge level.

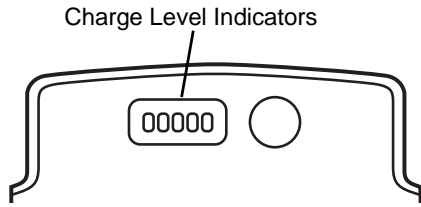


Figure 5-15 Power Pack Charge LEDs

Table 5-2 Power Pack Charge Status Indicators

Power Pack Indicators	Description
	Power not applied to Power Pack.
	Charge level is between 0% and 20%.
	Charge level is between 20% and 40%.
	Charge level is between 40% and 60%.
	Charge level is between 60% and 80%.
	Charge level is between 80% and 100%.
	Fully charged.
	Charging error.
	Solid Green LED
	Blinking Green LED
	Blinking Red LED

Active Stylus

The Active Stylus comes with one AAAA battery.

Battery Installation

To install the battery:

1. Unscrew the end cap.
2. Turn the end down. The battery holder slides out.
3. Insert the battery into the battery holder with the (+) end of the battery

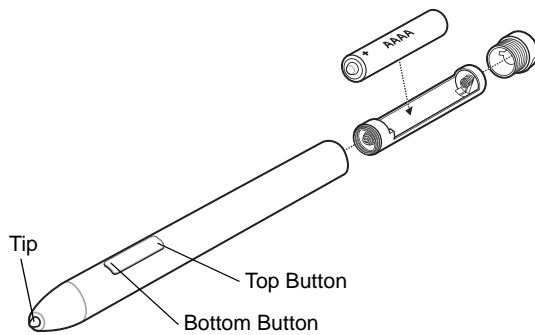


Figure 5-16 *Active Stylus Battery Installation*

4. Insert the battery holder into the Stylus.
5. Secure the end cap onto the stylus.

CHAPTER 6 MAINTENANCE AND TROUBLESHOOTING

Introduction

This chapter includes instructions on cleaning and storing the ET5X, battery maintenance and provides troubleshooting solutions for potential problems during ET5X operations.

Maintaining the ET5X

For trouble-free service, observe the following tips when using the ET5X:

- Protect the ET5X from temperature extremes.
- Do not store or use the ET5X in any location that is extremely dusty, damp, or wet.
- Use a soft lens cloth to clean the screen. If the surface of the ET5X screen becomes soiled, clean it with a soft cloth moistened with a diluted window-cleaning solution. Do not use bleach or ammonia.
- Take care not to scratch the screen of the ET5X.
- The display of the ET5X contains glass. Take care not to drop the ET5X or subject it to strong impact.

Battery Safety Guidelines

- The area in which the ET5X units are charged should be clear of debris and combustible materials or chemicals. Particular care should be taken where the device is charged in a non-commercial environment.
- Do not use incompatible batteries and chargers. If you have any questions about the compatibility of a battery or a charger, contact Zebra Support. See [Service Information on page xi](#) for contact information.
- Do not crush, puncture, or place a high degree of pressure on the battery.
- Follow battery usage, storage, and charging guidelines found in the *ET5X Quick Reference Guide*.
- Improper battery use may result in a fire, explosion, or other hazard.
- To charge the mobile device battery, the battery and charger temperatures must be between +32°F and +104°F (0°C and +40°C)

- Do not disassemble or open, crush, bend or deform, puncture, or shred.
- Severe impact from dropping any battery-operated device on a hard surface could cause the battery to overheat.
- Do not short circuit a battery or allow metallic or conductive objects to contact the battery terminals.
- Do not modify or remanufacture, attempt to insert foreign objects into the battery, immerse or expose to water or other liquids, or expose to fire, explosion, or other hazard.
- Do not leave or store the equipment in or near areas that might get very hot, such as in a parked vehicle or near a radiator or other heat source. Do not place battery into a microwave oven or dryer.
- Battery usage by children should be supervised.
- Please follow local regulations to promptly dispose of used re-chargeable batteries.
- Do not dispose of batteries in fire.
- Seek medical advice immediately if a battery has been swallowed.
- In the event of a battery leak, do not allow the liquid to come in contact with the skin or eyes. If contact has been made, wash the affected area with large amounts of water and seek medical advice.
- If you suspect damage to your equipment or battery, call Customer Support to arrange for inspection. See [Service Information on page xi](#) for contact information.

Cleaning



CAUTION Always wear eye protection.

Read warning label on compressed air and alcohol product before using.

If you have to use any other solution for medical reasons please contact Zebra for more information.



WARNING! Avoid exposing this product to contact with hot oil or other flammable liquids. If such exposure occurs, unplug the device and clean the product immediately in accordance with these guidelines.

Materials Required

- Alcohol wipes
- Lens tissue
- Cotton tipped applicators
- Isopropyl alcohol
- Can of compressed air with a tube.

Cleaning the ET5X

Housing

Using the alcohol wipes, wipe the housing.

Display

The display can be wiped down with the alcohol wipes, but care should be taken not to allow any pooling of liquid around the edges of the display. Immediately dried the display with a soft, non-abrasive cloth to prevent streaking.

Power Connector

1. Remove the main battery from ET5X.
2. Install the battery cover.
3. Dip the cotton portion of the cotton tipped applicator in isopropyl alcohol.
4. Repeat at least three times.
5. Use the cotton tipped applicator dipped in alcohol to remove any grease and dirt near the connector area.
6. Use a dry cotton tipped applicator and repeat steps 3 through 6.
7. Spray compressed air on the connector area by pointing the tube/nozzle about ½ inch away from the surface.



CAUTION Do not point nozzle at yourself and others, ensure the nozzle or tube is away from your face.

8. Inspect the area for any grease or dirt, repeat if required.

Cleaning Cradle Connectors

Use this procedure to clean the connectors on a cradle:

1. Remove power from the cradle.
2. Dip the cotton portion of the cotton tipped applicator in isopropyl alcohol.
3. Rub the cotton portion of the cotton tipped applicator along the pins of the connector. Slowly move the applicator back-and-forth from one side of the connector to the other. Do not let any cotton residue on the connector.
4. All sides of the connector should also be rubbed with the cotton tipped applicator.
5. Spray compressed air in the connector area by pointing the tube/nozzle about ½ inch away from the surface.



CAUTION Do not point nozzle at yourself and others, ensure the nozzle or tube is pointed away from your face.

6. Ensure that there is no lint left by the cotton tipped applicator, remove lint if found.
7. If grease and other dirt can be found on other areas of the cradle, use lint free cloth and alcohol to remove.
8. Allow at least 10 to 30 minutes (depending on ambient temperature and humidity) for the alcohol to air dry before applying power to cradle.

If the temperature is low and humidity is high, longer drying time is required. Warm temperature and dry humidity requires less drying time.

Cleaning Frequency

The cleaning frequency is up to the customer's discretion due to the varied environments in which the ET5X units are used. They may be cleaned as frequently as required. However when used in dirty environments it may be advisable to periodically clean the scanner exit window to ensure optimum scanning performance.

Troubleshooting

ET5X

Table 6-1 *Troubleshooting the ET5X*

Problem	Cause	Solution
ET5X does not turn on.	Battery not charged.	Charge the battery in the ET5X.
	Battery not installed properly.	Ensure battery is installed properly.
	System crash.	Perform a warm boot. If the ET5X still does not turn on, perform a cold boot. See Resetting the ET5X on page 1-21 .
Battery did not charge.	Battery failed.	Replace battery. If the ET5X still does not operate, try a warm boot, then a cold boot. See Resetting the ET5X on page 1-21 .
	ET5X removed from cradle before charging completed.	Insert the ET5X into the cradle and begin charging. The battery fully charges in approximately four hours.
	Ambient temperature of the cradle is too warm or too cold.	The ambient temperature must be between 0 °C and 40 °C (32 °F and 104 °F).
Unable to connect to the wireless network.	SIM card is valid.	Ensure that the micro SIM card is valid and workable if using a mobile network.
	Not within range of network.	Move within the network's service range and the signal strength is good.
	ET55 is in airplane mode.	Ensure that ET55 is not in Airplane mode.
The multi-touch screen responds slowly or improperly.	Finger or screen is wet.	Ensure that your hands are clean and dry when touching the screen. Restart the tablet to try again.
ET5X turns itself off.	ET5X is inactive.	The ET5X turns off after a period of inactivity. If the ET5X is running on battery power.
	Battery is depleted.	Place the ET5X in the cradle to re-charge the battery.
	The ET5X's battery is low and it powers down to protect memory content.	Place the ET5X in a cradle to re-charge the battery.
ET5X clock is not synchronizing with local time after enabling the WAN radio.	Windows Time Services is not set properly.	Open Control Panel > Administrative Tools > Services > Windows Time . In the Startup Type drop-down list, select Automatic . In the Services status section, touch Start .

Charge Only Cradle

Table 6-2 *Troubleshooting the Charge only Cradle*

Symptom	Possible Cause	Solution
ET5X battery is not charging.	ET5X was removed from cradle or cradle was unplugged from AC power.	Ensure cradle is receiving power. Ensure ET5X is seated correctly. Confirm main battery is charging. The battery fully charges in approximately four hours.
	Battery is faulty.	Verify that other batteries charge properly. If so, replace the faulty battery.
	The ET5X is not fully seated in the cradle.	Remove and re-insert the ET5X into the cradle, ensuring it is firmly seated.
	Ambient temperature of the cradle is too warm or too cold.	Move the cradle to an area where the ambient temperature is between 0 °C and 40 °C (32 °F and 104 °F).

Communication and Charging Cradles

Table 6-3 *Troubleshooting the Communication and Charging Cradles*

Symptom	Possible Cause	Solution
ET5X battery is not charging.	ET5X was removed from cradle or cradle was unplugged from AC power.	Ensure cradle is receiving power. Ensure ET5X is seated correctly. Confirm main battery is charging. The battery fully charges in approximately four hours.
	Battery is faulty.	Verify that other batteries charge properly. If so, replace the faulty battery.
	The ET5X is not fully seated in the cradle.	Remove and re-insert the ET5X into the cradle, ensuring it is firmly seated.
	Ambient temperature of the cradle is too warm or too cold.	Move the cradle to an area where the ambient temperature is between 0 °C and 40 °C (32 °F and 104 °F).
During communication, no data transmits, or transmitted data was incomplete.	ET5X removed from cradle during communications.	Replace ET5X in cradle and retransmit.
	Incorrect cable configuration.	Ensure that the correct cable configuration.
ET5X does not lock into cradle.	Access cover closed.	Open ET5X access cover and re-insert ET5X onto cradle.
	ET5X with Rugged Frame and IO Adapter does not mate with Communication and Charging Cradle.	Use Rugged Communication and Charging Cradle.

Expansion Backs

Table 6-4 *Troubleshooting the Expansion Backs*

Symptom	Possible Cause	Solution
Aiming laser does not display when pressing trigger.	On 8" tablet, did not remove rubber gasket during installation.	See system administrator to re-install Expansion Back.
	ET5X is in suspend mode.	Press power button to wake the tablet.
	Battery is low.	If the scanner stops emitting a laser beam upon a scan button press, check the battery level. When the battery is low, the scanner shuts off before the ET5X low battery condition notification. Note: If the scanner is still not reading bar codes, contact system administrator.
Laser comes on, but scanner does not decode the bar code.	ET5X is not programmed for the bar code.	Ensure the application is programmed to read the type of bar code being scanned. Contact system administrator.
	Unreadable bar code.	Check the symbol to ensure it is not defaced. Try scanning another bar code of the same type.
	Distance between exit window and bar code is incorrect.	Move the ET5X within proper scanning range.
	Scanning application is not loaded.	Load a scanning application. See the system administrator.

Stylus

Table 6-5 *Troubleshooting the Active Stylus*

Symptom	Possible Cause	Solution
The stylus does not write on the ET5X.	Stylus is not activated.	Tap or apply pressure to the tip of the stylus to activate it.
	Stylus battery is installed corrected or is depleted.	Replace the battery, making sure that you install it with the correct polarity.
	Calibration is incorrect.	Recalibrate the pressure sensor.
	Application is not active.	Check that the application on the screen is selected and active.
The stylus has short battery life.	The stylus tip may be engaged when not in use,	Be sure to store the stylus flat with no pressure applied to the tip.

Table 6-5 *Troubleshooting the Active Stylus (Continued)*

Symptom	Possible Cause	Solution
The touchscreen does not work after using the stylus.	User has not waited long enough after using stylus.	When the stylus is in use, touch does not work. Wait about 1.5 seconds between using your stylus and using touch.
The stylus is not very accurate when selecting objects on the screen.	Out of calibration.	Recalibrate the stylus or try holding the stylus at a different angle.
Cannot scroll within the Windows 8 Start menu using the stylus.	This is by design.	Tap the bottom of the screen and drag the scroll bar on the bottom.
Some programs do not allow scrolling with the stylus in the middle of the screen.	Not all programs will allow finger scrolling.	Use the scroll bars on the side with the stylus.

APPENDIX A SPECIFICATIONS

Technical Specifications

The following tables summarize the ET5X's intended operating environment and general technical hardware specifications.

ET5X

The following table summarizes the ET5X's intended operating environment.

Table A-1 *Technical Specifications*

Item	Description
Physical and Environmental Characteristics	
Dimensions	8" Configuration: 228 mm W x 150 mm H x 12.5 mm D (9.0 in. L x 5.9 in. W x 0.5 in. H) 10" Configuration: (269 mm W x 181 mm H x 12.5 mm D) 10.6 in. L x 7.1 in. W x 0.5 in. H
Weight	8" Configuration: 555 g (1.2 lbs) 10" Configuration: 750 g (1.55 lbs)
Display	8" Configuration: 8.3 in (diagonal) 1920 x 1200 WUVGA with backlight 10" Configuration: 10.1 in (diagonal) 1920 x 1200 WUVGA with backlight
Touch panel	Capacitive 10 point multi-touch
Keypad Options	Virtual, Bluetooth or USB

Table A-1 Technical Specifications (Continued)

Item	Description
Expansion	Integrated connector to easily add accessories
Connectivity	Docking connector: USB 3.0, HDMI, charging; rugged connector for use with rugged dock Interfaces: full-size USB2.0 connector, audio jack 3.5mm, USB (for charging)
Notification	LED flash; bar code decode; camera LED indicator
Audio	Stereo speakers and dual microphones (one front and one rear-facing)
Battery	8" Configuration: 5,900 mAh rechargeable Smart Li-Ion; user replaceable 10" Configuration: 8,700 mAh rechargeable Smart Li-Ion; user replaceable
Performance Characteristics	
CPU	Intel quad core 2.4 GHz 64 bit
Operating System	Windows 8.1 with Connected Standby (Windows 10 ready)
Memory	4GB LPDDR3 RAM; 64 GB eMMC Flash (128 GB optional); User accessible microSDXC card slot (standard supports up to 2 TB)
Data Capture	
Front Camera	2 MP 1080p full HD optimized for video collaboration and low lighting conditions
Rear Camera	Bar code scanning and image capture: 8MP auto-focus camera with user controllable LED flash, illumination and aiming; captures 1D and 2D bar codes, photographs, video, signatures and documents.
Video	1080p (Full HD, 1920 x 1080), Frame rate = 30fps
Scanning	Optional RS507 Hands-free Imager Optional CS4070 Scanner Optional SE4710 8" Expansion Back Optional SE4750 8" Expansion Back Optional SE4710 10" Expansion Back Optional SE4750 10" Expansion Back
User Environment	
Operating Temperature	32 °F to 122 °F (0 °C to 50 °C)
Storage Temperature	-4 °F to 140 °F (-20 °C to 60 °C)
Battery Charging Temperature	32 °F to 104 °F (0 °C to +40 °C)

Table A-1 *Technical Specifications (Continued)*

Item	Description
Humidity	10% to 90% RH (non condensing)
Drop Specification	Standard: 1 m (3.28 ft.) drop to concrete without rugged frame With optional rugged frame: 1.8 m (5.9 ft.) to concrete per MIL STD 810G With optional Expansion Back: Per MIL STD 810G across operating temperatures.
Vibration	Operational: random vibration 10-1000 Hz 1.9g RMS, 1 hour duration per axis. Non-operational: random vibration 10-1000Hz, 4.1 g RMS
Environmental Sealing	IP65
ESD	+/-8kVdc air discharge +/-4kVdc direct discharge +/-4kVdc indirect discharge
WWAN Wireless Data Communications	
	Global LTE with HSPA+ North America multi-carrier LTE with both Verizon (EVDO) and AT&T (HSPA+) 3G fallback
WLAN Wireless Data Communications	
WLAN radio	802.11a/b/g/n/k/r. Dual band 2x2 MIMO for transmit and receive.
Output Power	100mW U.S. and International
Data Rate	802.11a: up to 54Mb per second 802.11b: up to 11Mb per second 802.11g: up to 54Mb per second 802.11n: up to 72.2Mb per second
Frequency Range	All country dependent: 802.11a - 5 GHz; 802.11b – 2.4 GHz; 802.11g – 2.4 GHz; 802.11n – 2.4 GHz / 5 GHz
Antenna	Internal diversity antenna
WLAN Security	WPA2 Enterprise, 802.1x; EAP-TLS; TTLS (CHAP, MS-CHAP, MS-CHAPv2, PAP or MD5); PEAP (TLS, MSCHAPv2, EAP-GTC); LEAP, EAP-FAST (TLS, MS-CHAPv2, EAP-GTC), WPA2/AES, CCX v4, FIPS 140-2 compliant and IPv6
WPAN Wireless Data Communications	
Bluetooth	Class 2, Bluetooth v4.0 (Bluetooth® Smart)
Near Field Communication	P2P: ISO 18092 • Reader/Writer: ISO 14443 –A-B, MIFARE, FeliCa®, ISO 15693, NFC Forum Tag Types 1 to 4 • Card emulation: ISO 14443 –A-B-B', MIFARE, FeliCa RF • Distance up to 3 cm
Sensors	
Gyroscope	Maintains orientation based on principles of conservation of angular momentum

Table A-1 *Technical Specifications (Continued)*

Item	Description
Motion Sensor	3-axis accelerometer that enables motion-sensing applications for dynamic screen orientation and power management.
Ambient Light Sensor	Automatically adjusts display brightness, keypad and display backlight.
Electronic Compass	Independent — does not depend on GPS
Proximity Sensor	Shuts down the display when placed in a case.
Peripherals and Accessories	
Cradles	Charge Only Cradle Communication and Charging Cradles
Printers	Supports extensive line of Zebra approved printers
Rugged Frame	Provides additional protection for the tablet.

Table A-2 *Expansion Back Supported Symbologies*

Bar Code Type	Symbologies
1D	Bookland EAN, Chinese 2 of 5, Codabar, Code 11, Code 128, Code 32, Code 39, Code 93, Discrete 2 of 5, EAN-8, EAN-13, GS1-128, Interleaved 2 of 5, Inverse 1D, ISBT-128, ISSN EAN, Korean 2 of 5, MSI, Matrix 2 of 5, Trioptic Code 39, UCC Coupon Code, UPCA, UPCE, UPCE1.
2D	Aztec, Aztec Inverse, Composite AB, Composite C, Data Matrix, Data Matrix Inverse, Maxicode, Micro PDF417, Micro QR, PDF417, QR Code, QR Code Inverse, Han Xin, Han Xin Inverse
Postal	Australian Postal, Japan Postal, UK Postal, US Planet, US Postnet, Netherlands KIX Code, USPS 4CB/One Code/Intelligent Mail, UPU FICS Postal

INDEX

Numerics

2-D bar codes 4-2

A

accessories

charge only cradle 5-4

communication and charging cradle 5-6

rugged communication and charging cradle 5-8

aiming 4-8

B

bar codes

numeric for pin entry 4-12

two dimensional 4-2

battery charging temperature A-2

battery management 1-20

beeper

toggling 4-8

bulletsxi

buttons

delete 4-8

C

changing the power settings 1-20

charge only cradle 5-4

cleaning 6-1

communication and charging cradle 5-6

configurationsix

conventions

notational x

CPU A-2

cradles

charge only 5-4

communication and charging 5-6

rugged communication and charging 5-8

D

data captureix

imaging 4-2

two dimensional bar codes 4-2

deleting bar codes 4-8

dimensions A-1

display ix, A-1

display backlight

saving power 1-20, 1-21

drop specification A-3

E

EAP 3-2

ET5X configuration 1-4

G

getting started 1-4

H

humidity A-3

I

imager. See data capture, imaging

imaging 4-2

information, servicexi

L

lithium-ion battery 1-1

M

main battery
 installing 1-4
maintenance 6-1
memory ix, A-2

N

numeric bar codes
 for pin entry 4-12

O

operating environment, tablet A-1
operating system ix, A-2
operating temperature A-2

P

parts of the tablet
 front view 1-1
PEAP-GTC 3-2
PEAP-MSCHAPv2 3-2
pin
 numeric bar codes 4-12
power settings 1-20

R

radios ix
related documents xi
related software xi
rugged communication and charging cradle 5-8

S

scanning 4-1
 aiming 4-8
 angle 4-1
 imaging 4-2
 range 4-1
scanning considerations 4-1
specifications A-1
starting the tablet 1-4
storage temperature A-2

T

technical specifications, tablet A-1
TLS 3-2
troubleshooting 6-5

U

unpacking 1-1

W

weight A-1
WEP 3-2
WLAN 802.11a/b/g/n ix, x
WPA 3-2
WPAN Bluetooth ix, x



Zebra Technologies Corporation
3 Overlook Point
Lincolnshire, IL 60069, U.S.A.
<http://www.zebra.com>

Zebra and the stylized Zebra head are trademarks of ZIH Corp., registered in many jurisdictions worldwide. All other trademarks are the property of their respective owners.

© 2016 Symbol Technologies LLC, a subsidiary of Zebra Technologies Corporation. All rights reserved.