

Sit-Stand Arm - Single Monitor

ARMSTSCP1



**actual product may vary from photos*

FR: Guide de l'utilisateur - fr.startech.com
DE: Bedienungsanleitung - de.startech.com
ES: Guía del usuario - es.startech.com
NL: Gebruiksaanwijzing - nl.startech.com
PT: Guia do usuário - pt.startech.com
IT: Guida per l'uso - it.startech.com
JP: 取扱説明書 - jp.startech.com

For the most up-to-date information, please visit: www.startech.com

Use of Trademarks, Registered Trademarks, and other Protected Names and Symbols

PHILLIPS® is a registered trademark of Phillips Screw Company in the United States or other countries.

This manual may make reference to trademarks, registered trademarks, and other protected names and/or symbols of third-party companies not related in any way to StarTech.com. Where they occur these references are for illustrative purposes only and do not represent an endorsement of a product or service by StarTech.com, or an endorsement of the product(s) to which this manual applies by the third-party company in question. Regardless of any direct acknowledgement elsewhere in the body of this document, StarTech.com hereby acknowledges that all trademarks, registered trademarks, service marks, and other protected names and/or symbols contained in this manual and related documents are the property of their respective holders.

Warning statements

Make sure that you assemble this product according to the instructions.

Read the entire manual and make sure that you understand the instructions before you start to assemble and use this product.

Never operate this product if parts are missing or damaged.

This product is intended for indoor use only and should not be used outdoors.

When you assemble this product, do not over-tighten the screws. If you encounter resistance while you are tightening the screws, stop tightening.

Make sure that the weight of the display does not exceed the weight capacity of this product. If you exceed the weight capacity, you might experience personal injury or damage to the equipment.

Weight capacity of the monitor arm when you use the grommet mount: 4.4 to 17.6 lb. (2 to 8 kg).
Weight capacity of the keyboard tray when you use the grommet mount: 5.6 lb. (2.5 kg).
Weight capacity of the monitor arm when you use the desk clamp assembly: 4.4 to 17.6 lb. (2 to 8 kg).
Weight capacity of the keyboard tray when you use the desk clamp assembly: 3.3 lb. (1.5 kg).

Stored Energy Hazard! This product contains a lift mechanism that could move up quickly when you remove the mounted equipment. Before you remove the equipment, move the product to the highest position. Failure to do so could result in injury or property damage.

Varningsmeddelanden

Se till att du monterar produkten i enlighet med instruktionerna.

Läs hela manualen och se till att du förstär instruktionerna innan du börjar montera och använda produkten.

Använd aldrig produkten om delar saknas eller är skadade.

Produkten är endast avsedd för användning inomhus och ska inte användas utomhus.

Dra inte åt skruvarna för hårt när du monterar produkten. Om du måste ta i när du skruvar åt kan du sluta skruva åt.

Se till att skärmens vikt inte överstiger produktens viktscapacitet. Om viktscapaciteten överstigs kan skada på person eller utrustning uppstå.

Monitorarms viktscapacitet när du använder kabelhåll monterings: 2 till 8 kg.
Tangentbordsfackets viktscapacitet när du använder kabelhåll monterings: 2,5 kg.
Monitorarms viktscapacitet när du använder skrivbordsskåp monterings: 2 till 8 kg.
Tangentbordsfackets viktscapacitet när du använder skrivbordsskåp monterings: 1,5 kg.

Risk för lagrad energi! Detta produkt innehåller en lyftmekanism som kan åka upp snabbt om du tar bort utrustning. Innan du tar bort utrustning, flytta produktet till högsta positionen. Om du inte gör det kan skada på person eller egendom uppstå.

Waarschuwingen

Zorg dat u dit product volgens de instructies in elkaar zet.

Lees de gehele handleiding en zorg dat u de instructies begrijpt voordat u dit product in elkaar zet en gebruikt.

Gebruik dit product nooit als er onderdelen ontbreken of beschadigd zijn.

Dit product is alleen bedoeld voor binnengebruik en mag niet buiten worden gebruikt.

Draai de schroeven niet te strak vast wanneer u dit product in elkaar zet. Als u weerstand voelt tijdens het vastdraaien van de schroeven, stop dan.

Zorg dat het gewicht van het scherm de maximale capaciteit van dit product niet overschrijdt. Als u de gewichtscapaciteit overschrijdt, kunt u lichamelijk letsel of materiële schade aan de apparatuur ontstaan.

Gewichtscapaciteit van de monitor arm wanneer het doorvoertgat van uw bureau wordt gebruikt bij het monteren: 2 tot 8 kg.
Gewichtscapaciteit van de toetsenbordhouder wanneer doorvoertgat van uw bureau wordt gebruikt bij het monteren: 2,5 kg.
Gewichtscapaciteit van de monitor arm wanneer de bureau kleem wordt gebruikt bij het monteren: 2 tot 8 kg.
Gewichtscapaciteit van de toetsenbordhouder wanneer de bureau kleem wordt gebruikt bij het monteren: 1,5 kg.

Gevaar van opgeslagen energie! Dit product bevat een lyftmechanisme dat snel omhoog kan bewegen wanneer u de geplaatste apparatuur verwijderd. Voordat u apparatuur verwijderd, moet u dit product in de hoogste positie zetten. Anders kan lichamelijk letsel of materiële schade ontstaan.

Avertissements

Assemblez ce produit conformément aux instructions.

Lisez tout le manuel et assurez-vous que vous comprenez les instructions avant de commencer à assembler et utiliser ce produit.

N'utilisez pas ce produit si des pièces sont endommagées ou manquantes.

Ce produit est uniquement destiné à une utilisation en intérieur et ne doit pas être utilisé à l'extérieur.

Ne serrez pas trop les vis lors de l'assemblage de ce produit. Si vous rencontrez une résistance lors du serrage des vis, cessez de serrer.

Vérifiez que le poids de l'écran ne dépasse pas la capacité pondérale du produit. Si vous dépassez la capacité pondérale, vous risquez de vous blesser ou d'endommager le matériel.

Capacité de poids pour le bras d'écran quand vous utilisez l'assemblage de passe-fic: 2 à 8 kg.
Capacité de poids pour le support de clavier quand vous utilisez l'assemblage de passe-fic: 2,5 kg.
Capacité de poids pour le bras d'écran quand vous utilisez l'assemblage de pince de bureau: 2 à 8 kg.
Capacité de poids pour le support de clavier quand vous utilisez l'assemblage de pince de bureau: 1,5 kg.

Risque d'énergie emmagasinée! Ce produit contient un mécanisme de levage susceptible de se relever rapidement lorsque vous retirez l'équipement monté dessus. Avant de retirer des équipements, déplacez le produit à la position la plus élevée. Si vous ne respectez pas ces instructions, vous risquez de vous blesser ou d'endommager l'équipement.

Dichiarazioni di avvertenza

Assicurarsi di Assemblare il prodotto secondo le istruzioni.

Leggere l'intero manuale e assicurarsi di aver compreso tutte le istruzioni prima di iniziare ad assemblare e a utilizzare questo prodotto.

Non utilizzare il prodotto in presenza di parti mancanti o danneggiate.

Il prodotto è destinato all'uso in ambienti interni. Se ne sconsiglia l'impiego in ambienti esterni.

Durante l'assemblaggio del prodotto, non stringere troppo le viti. Se si incontra resistenza mentre si stringono le viti, interrompere l'operazione.

Verificare che il peso del display non sia superiore alla capacità di carico del prodotto. Il superamento della capacità di carico potrebbe causare lesioni personali o danni all'apparecchiatura.

Capacità di carico del monitor quando si usa for for scrivania o morsetteria: 2 a 8 kg.
Capacità di carico della tastiera quando si usa for scrivania o morsetteria: 2,5 kg.
Capacità di carico del monitor quando si usa morsetteria: 2 a 8 kg.
Capacità di carico della tastiera quando si usa morsetteria: 1,5 kg.

Pericolo di energia accumulata! Questo prodotto contiene un meccanismo di sollevamento che potrebbe scattare rapidamente verso l'alto quando si rimuove l'apparecchiatura caricata. Prima di rimuovere l'apparecchiatura, spostare il prodotto nella posizione più elevata sulla colonna. L'insostenibilità di questa indicazione potrebbe causare danni o lesioni.

Advertencias de uso

Asegúrese de ensamblar este producto según las instrucciones.

Lea todo el manual y asegúrese de haber comprendido bien las instrucciones antes de proceder con el ensamblaje y el uso de este producto.

Nunca opere o ponga en funcionamiento este producto si faltan piezas o hay daños en las mismas.

El uso de este producto es solo para interiores y no debe utilizarse en exteriores.

Cuando ensamble este producto, no apriete los tornillos más de lo debido. Si al apretar los tornillos siente resistencia, no los apriete más.

Asegúrese de que el peso del monitor no exceda la capacidad de peso de este producto. Si se excede la capacidad de peso podrían producirse lesiones personales o daños del equipo.

Capacidad de carga del brazo de monitor cuando se utiliza el soporte de ojal: 2 a 8 kg.
Capacidad de carga de la bandeja de teclado cuando se utiliza el soporte de ojal: 2,5 kg.
Capacidad de carga del brazo de monitor cuando se utiliza el soporte por mordaza: 2 a 8 kg.
Capacidad de carga de la bandeja de teclado cuando se utiliza el soporte por mordaza: 1,5 kg.

¡Peligro de acumulación de energía! Este producto incluye un mecanismo de elevación que puede subir rápidamente cuando desmonte el equipo instalado. Antes de desinstalar el equipo, mueva el producto hasta la posición más alta. De lo contrario, pueden producirse lesiones personales o daños en la propiedad.

Mensagens de aviso

Certifique-se de que monta este produto de acordo com as instruções.

Leia todo o manual e certifique-se de que entende as instruções antes de começar a montar e a utilizar este produto.

Nunca opere este produto se faltarem peças ou estas estiverem danificadas.

Este produto destina-se apenas a uma utilização no interior e não deve ser utilizado no exterior.

Quando montar este produto, não aperte demasiado os parafusos. Se encontrar resistência enquanto aperta os parafusos, pare de apertar.

Certifique-se de que o peso do ecrã não excede a capacidade de peso deste produto. Se exceder a capacidade de peso, poderão sofrer ferimentos pessoais ou danos no equipamento.

Capacidade de carga do braço para monitor quando se monta através de um orifício de furo: 2 para 8 kg.
Capacidade de carga do bandeja de teclado quando se monta através de um orifício de furo: 2,5 kg.
Capacidade de carga do braço para monitor quando se monta através de uma abraçadeira de secretária: 2 para 8 kg.
Capacidade de carga do bandeja de teclado quando se monta através de uma abraçadeira de secretária: 1,5 kg.

Perigo de energia armazenada! Este produto contém um mecanismo de elevação que pode mover rapidamente quando remover o equipamento desmontado. Antes de remover equipamento, mover o produto para a posição mais alta. O cumprimento destas instruções pode resultar em ferimentos ou danos da propriedade.

Warnhinweise

Beachten Sie bei der Montage dieses Produkts die Montageanweisungen.

Bevor Sie dieses Produkt montieren und verwenden, lesen Sie das gesamte Handbuch und vergewissern Sie sich, dass Sie die Anweisungen verstanden haben.

Das Produkt darf nicht bedient werden, wenn Teile fehlen oder beschädigt sind.

Dieses Produkt ist nur zum Gebrauch in Innenräumen vorgesehen und sollte nicht im Freien verwendet werden.

Achten Sie bei der Montage des Produkts darauf, die Schrauben nicht zu fest anzuziehen. Sobald Sie beim Anziehen der Schrauben auf Widerstand stoßen, stellen Sie das Anziehen ein.

Vergewissern Sie sich, dass das Gewicht des Displays die Tragkraft des Produkts nicht überschreitet. Ein Überschreiten der Tragkraft kann zu Verletzungen oder zur Beschädigung des Produkts führen.

Gewichtskapazität des Monitorarm wenn die Kabeldurchführung verwendet wird: 2 nach 8 kg.
Gewichtskapazität der Tastaturhalterung wenn die Kabeldurchführung verwendet wird: 2,5 kg.
Gewichtskapazität des Monitorarm wenn die Tischklemme verwendet wird: 2 nach 8 kg.
Gewichtskapazität der Tastaturhalterung wenn die Tischklemme verwendet wird: 1,5 kg.

Gefährdung durch gespeicherte Energie! Dieses Produkt enthält einen Hubmechanismus, der sich bei Entnahme der Geräte schnell nach oben bewegen kann. Bringen Sie das Produkt in die höchste Position bevor Sie Geräte entnehmen. Andernfalls kann es zu Verletzungen oder zur Beschädigung des Produkts kommen.

注意

必ず取扱説明書に従って本製品の組み立てを行って下さい。

最初に取扱説明書を最後まで読み、本製品の組み立て方をすべて理解してから組み立て作業を始めて下さい。

本製品は、室内での使用を想定しています。戸外では使用しないで下さい。

本製品は、二人がかりでの組み立てを想定しています。手助けなしに単独で組み立てと設置を行わないで下さい。

モニタの重量が本製品の最大積載重量を超えないようにして下さい。最大積載重量をオーバーした場合、怪我をする恐れや器物破損の恐れがあります。

グロメット固定方式を使用した場合のモニタアームの耐荷重: 2.8 kg

グロメット固定方式を使用した場合のキーボードトレイの耐荷重: 2.5 kg

クランプ固定方式を使用した場合のモニタアームの耐荷重: 2.8 kg

クランプ固定方式を使用した場合のキーボードトレイの耐荷重: 1.5 kg

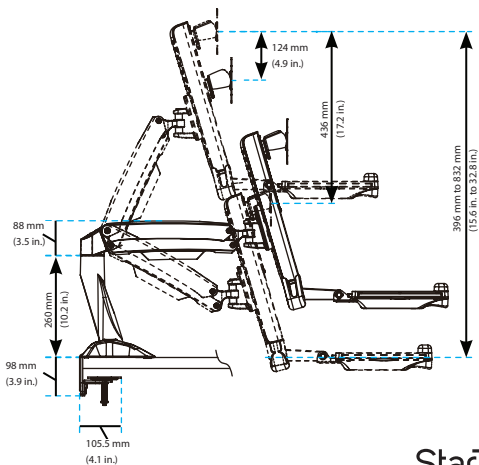
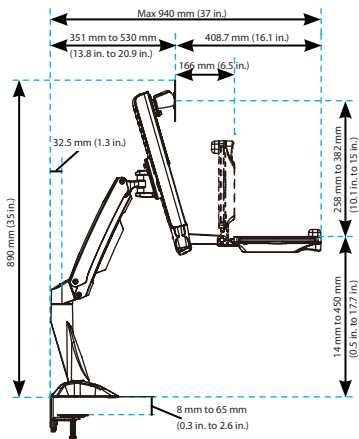
反動注意: 本製品には、リフト機構が組み込まれており、積載した装置を取り外すと反動で急速に上昇する可能性があります。装置を取り外す前に、本製品を最も高い位置に移動させて下さい。この操作を怠ると怪我をする恐れや器物破損の恐れがあります。

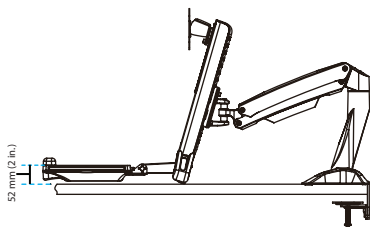
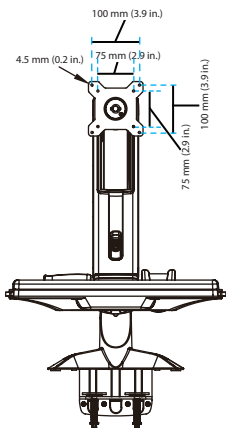
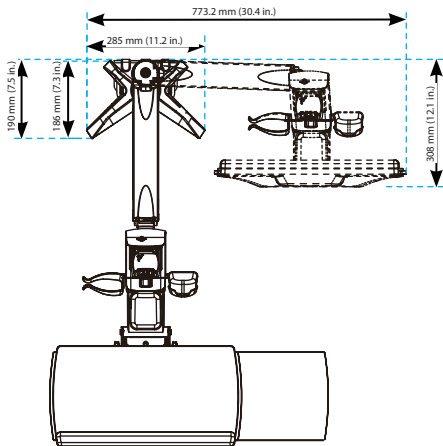
Table of Contents

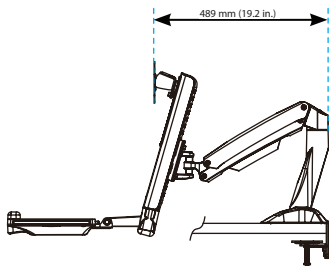
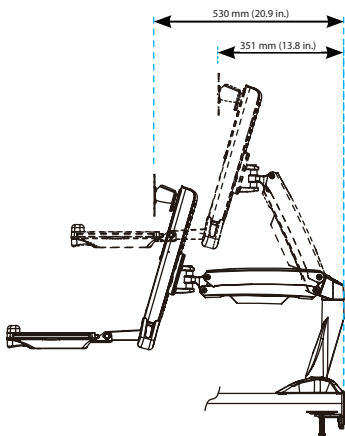
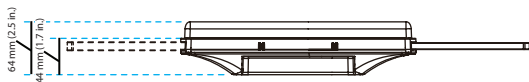
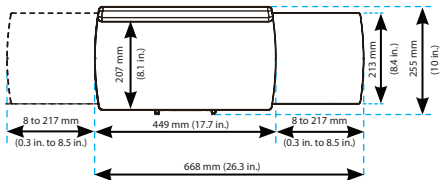
Warnings	i
Product dimensions.....	1
Product diagram	4
Technical specifications	5
Package contents	7
Requirements	11
Assembly	12
About the attachment options	12
Assemble the base attachment	13
Attach the monitor arm to the base.....	27
Attach the column to the keyboard tray	28
Attach the column to the monitor arm.....	31
Attach the VESA monitor mount to a monitor	34
Attach the monitor to the column.....	36
Attach the adhesive strip	38
Route cables.....	39
Remove the monitor	40
Adjusting the ARMSTSCP1	41
Adjust the tilt angle of the monitor	41
Adjust the tilt angle of the keyboard tray	42
Counterbalance the weight of the monitor	43
Counterbalance the weight of the workstation.....	44
Adjust the swivel effort of the monitor arm	45
Extend the keyboard tray.....	46

Clean the keyboard tray	47
Technical support.....	48
Warranty information	48

Product dimensions

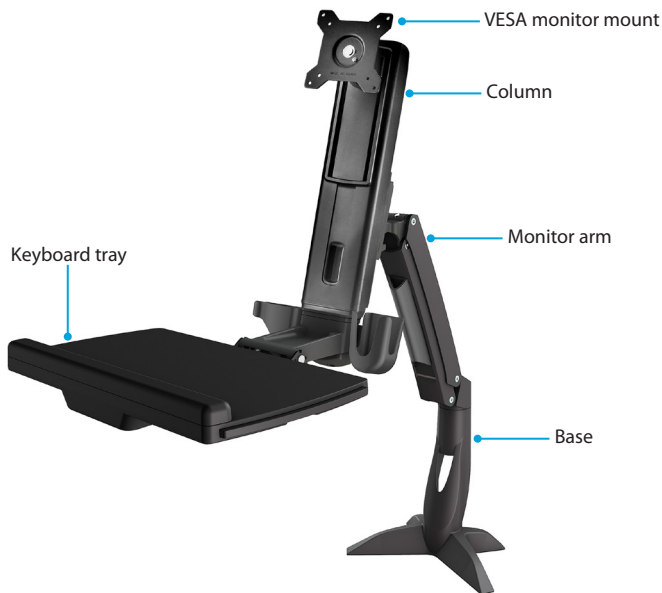




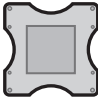



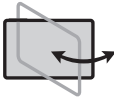


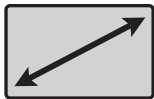
Product diagram

Grommet feature pictured



Technical specifications

Type of measurement	Measurement
 <p>VESA</p>	75 x 75 mm 100 x 100 mm
 <p>Tilt (monitor)</p>	-5° to +35°
 <p>Tilt (keyboard)</p>	0° to +90°
 <p>Pivot (monitor)</p>	360°
 <p>Swivel (monitor arm)</p>	+/-90°

Type of measurement**Measurement**

24 in. or less

Supported monitor size



4.4 to 17.6 lb. (2 to 8 kg)

Supported weight of the monitor arm
when you use the desk clamp

3.3 lb. (1.5 kg)

Supported weight of the keyboard tray
when you use the desk clamp

4.4 to 17.6 lb. (2 to 8 kg)

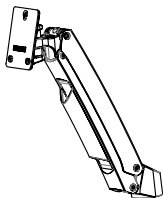
Supported weight of the monitor arm
when you use the grommet mount

5.6 lb. (2.5 kg)

Supported weight of the keyboard tray
when you use the grommet mount

Package contents

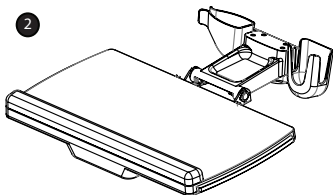
1



Monitor arm

Qty: One

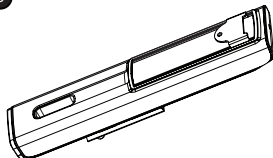
2



Keyboard tray

Qty: One

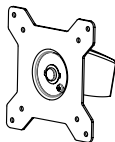
3



Column

Qty: One

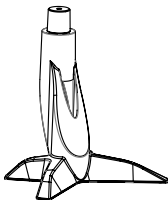
4



VESA monitor mount

Qty: One

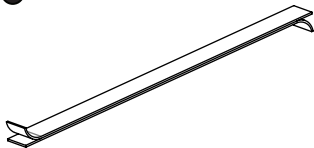
5



Base

Qty: One

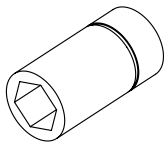
6



Adhesive strip

Qty: Two

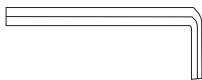
7



Socket driver

Qty: One

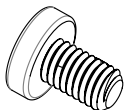
8



6 mm hex key

Qty: One

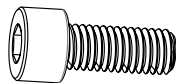
9



M6x10 mm screw

Qty: Three

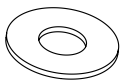
10



M8x20 mm screws

Qty: One

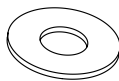
11



Metal washer

Qty: One

12



Plastic washer

Qty: One

13



Basic screw
Qty: Four

14



M6x25 mm screws
Qty: Two

15



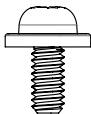
5 mm hex key
Qty: One

16



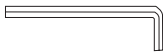
M6x12 mm screw
Qty: Four

17



M4x10 mm hex key
Qty: Four

18



2.5 mm hex key
Qty: One

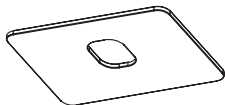
19



M6x8 mm screw

Qty: One

20



Base Pad

Qty: One

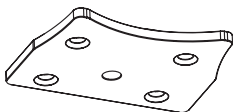
21



Clamp screws

Qty: Four

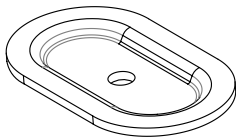
22



Base plate

Qty: One

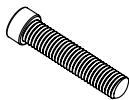
23



Grommet plate

Qty: One

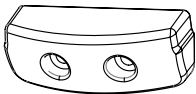
24



M8x65 screw

Qty: One

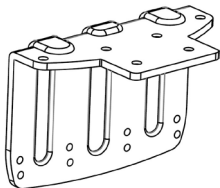
25



Keyboard trap cap

Qty: One

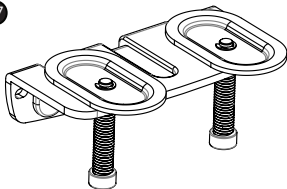
26



Clamp L bracket

Qty: One

27



Clamp screw assembly

Qty: One

28



Instruction manual

Qty: One

Requirements

- Monitor that is compatible with one of the VESA mounting hole patterns that ARMSTSCP1 supports
- Phillips type screwdriver
- 1/4 inch drive ratchet

Requirements are subject to change. For the latest requirements, please visit www.StarTech.com/ARMSTSCP1.

Assembly

About the attachment options

The ARMSTSCP1 features a grommet assembly and a desk clamp option for attaching the ARMSTSCP1 to a desk or table.

Requirements to use the grommet assembly to attach the ARMSTSCP1:

- Table or desk with a grommet hole
- Table or desk that is between 0.3 and 2 inches (8 to 50 mm) thick
- Monitor that weighs between 4.4 and 17.6 lb. (2 to 8 kg)

Note: When you use the grommet assembly to attach the ARMSTSCP1, the keyboard tray supports up to 5.6 lb. (2.5 kg) of weight.

Requirements to use the desk clamp to attach the ARMSTSCP1:

- A table or desk that is between 0.3 and 2.6 inches (8 to 65 mm) thick
- At least 0.3 inches (8 mm) of clearance between the table or desk and the wall
- Monitor that weighs between 4.4 and 17.6 lb. (2 to 8 kg)

Note: When you use the desk clamp to attach the ARMSTSCP1, the keyboard tray supports up to 3.3 lb. (1.5 kg) of weight.

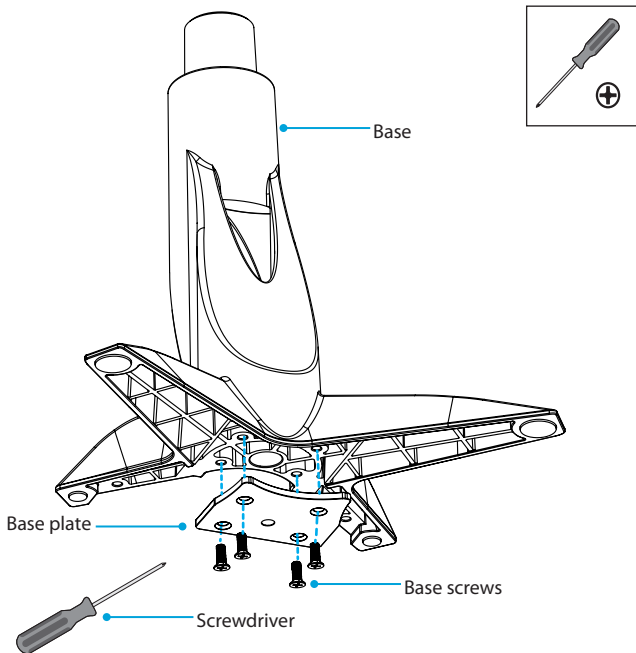
Assemble the base attachment

Based on your setup, follow the steps to attach the grommet assembly or the desk clamp.

Attach the grommet assembly

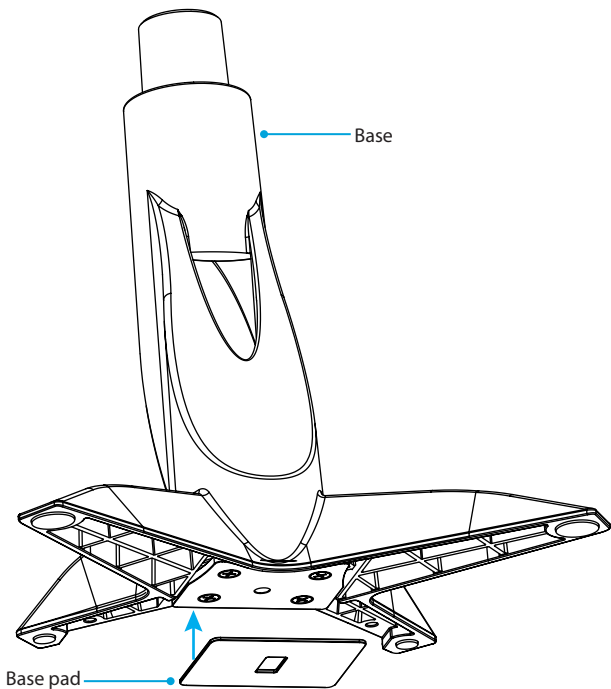
1. Line up the base plate with the assembly holes on the underside of the base.
2. Insert the four base screws through the base plate and into the base. (figure 1)
3. Use a Phillips type screwdriver to tighten the screws.

figure 1



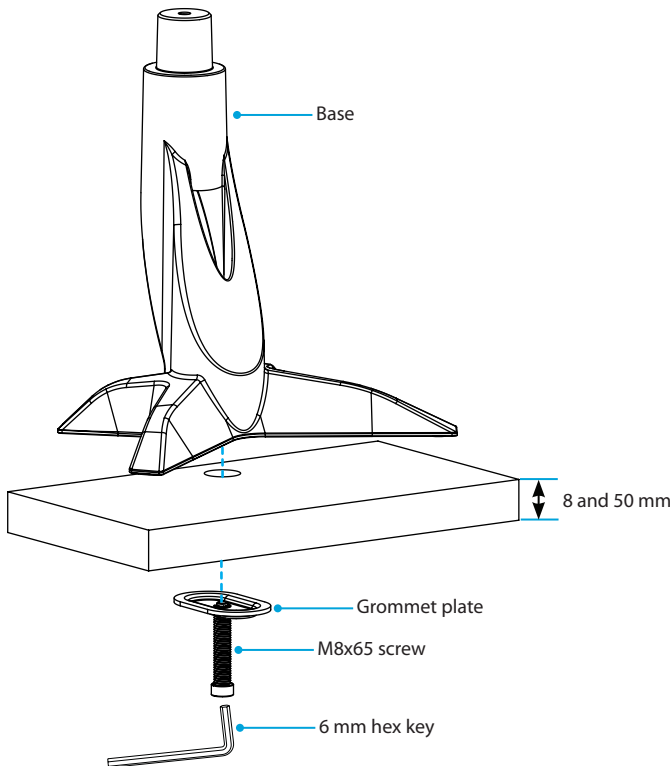
4. Remove the adhesive backing from the base pad and affix the base pad to the underside of the base. (figure 2)

figure 2



5. Position the base over the grommet hole in your desk or table.
6. Thread the M8x65 screw up through the underside of the grommet plate.
7. Place the grommet plate and screw assembly against the grommet hole on the underside of your desk or table.
8. Insert the M8x65 screw through the grommet plate and into the base.
9. Use the 6 mm hex key to tighten the M8x65 screw until the plate is tight against your desk or table. (figure 3)

figure 3

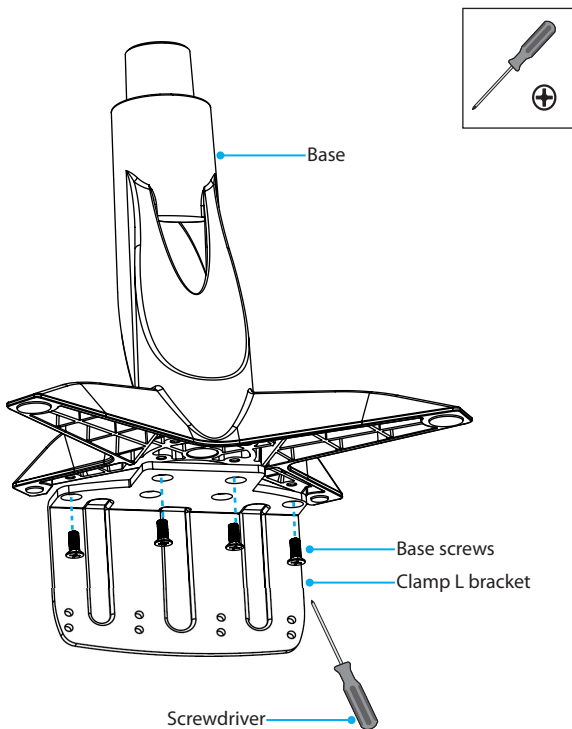


Attach the desk clamp to a desk or table against a wall

To attach the desk clamp to a desk or table that is against a wall, you need at least 8 mm of space between the edge of the surface that you're attaching the ARMSTSCP1 to and the wall.

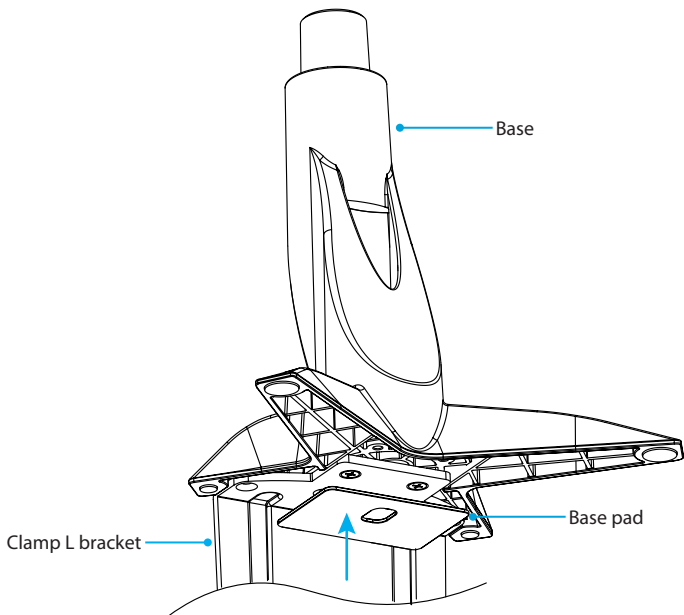
1. Line up the clamp L bracket with the assembly holes on the underside of the base.
2. Insert the four base screws through the clamp L bracket and into the base. (figure 4)
3. Use a Phillips type screwdriver to tighten the screws.

figure 4



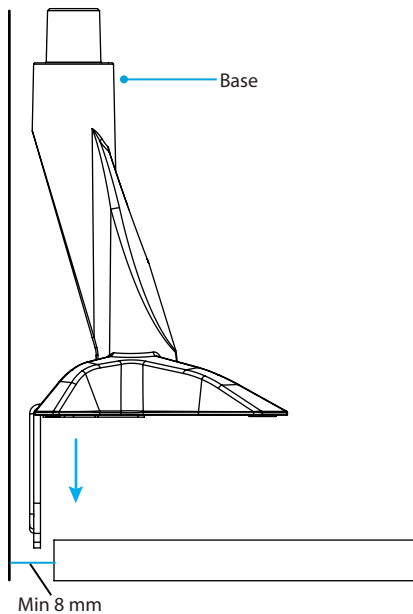
4. Remove the adhesive backing from the base pad and affix the base pad to the underside of the clamp L bracket. (figure 5)

figure 5



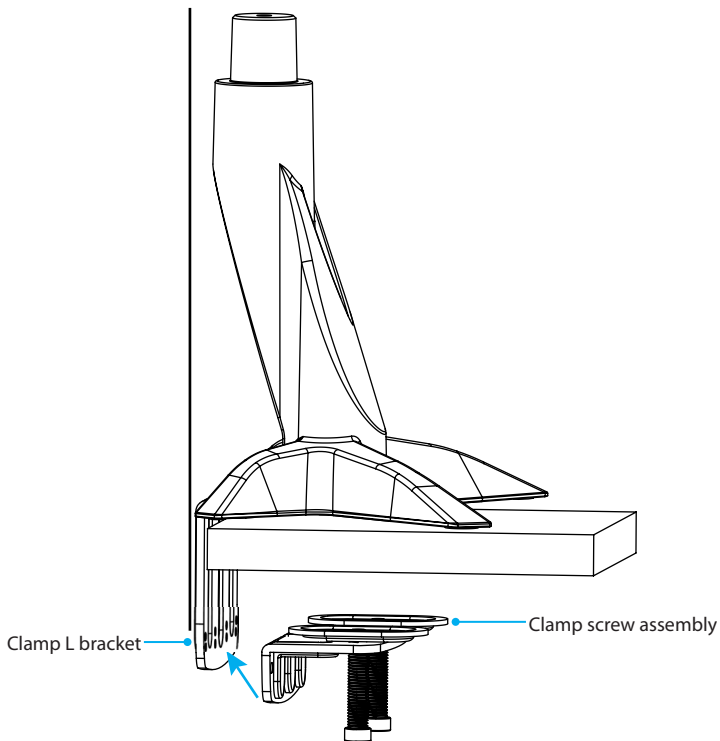
5. Slide the base between the desk or table and the wall. (figure 6)

figure 6



6. Align the four holes in the clamp screw assembly with the four lower holes in the clamp L bracket. (figure 7)

figure 7

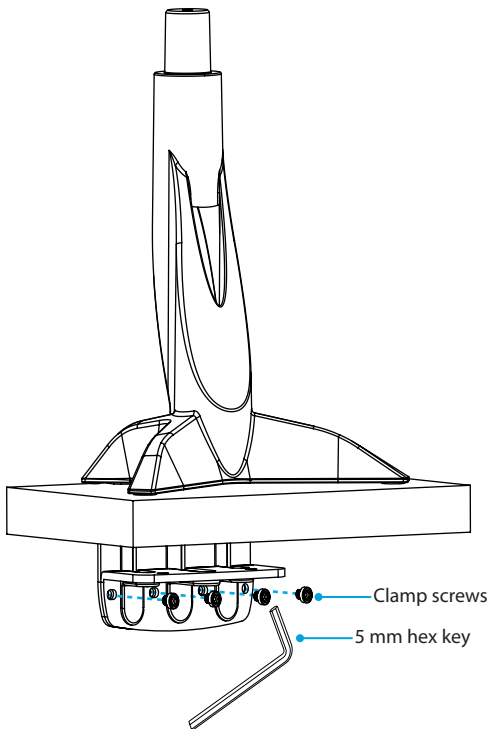


7. Insert four clamp screws through the clamp screw assembly and into the four lower screw holes, located in the clamp L bracket.

Note: The four lower screw holes must be used to achieve the full 8 mm - 65 mm clamp mounting range.

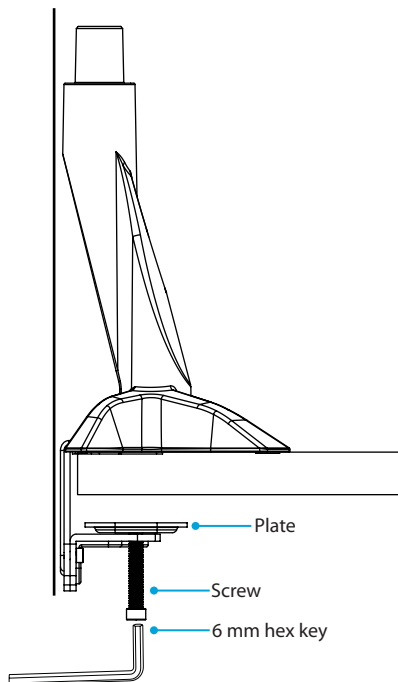
8. Use the 5 mm hex key to tighten the screws. (figure 8)

figure 8



9. Use the 6 mm hex key to tighten the screws in the clamp screw assembly until the plates are tight against your desk or table. (figure 9)

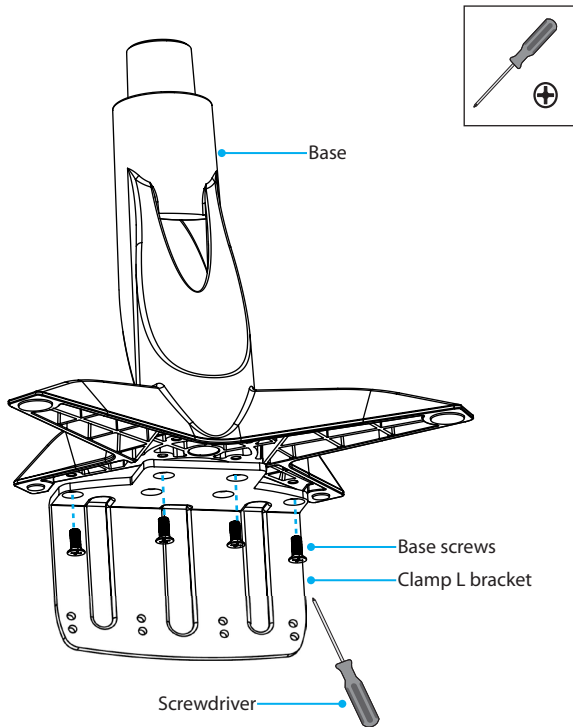
figure 9



Attach the desk clamp to a desk or table

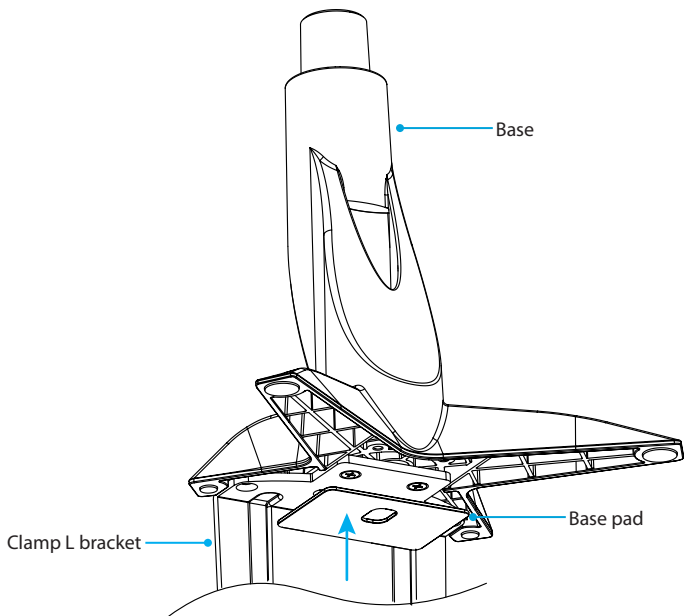
1. Line up the clamp L bracket with the assembly holes on the underside of the base.
2. Insert the four base screws through the base plate and into the base. (figure 10)
3. Use a Phillips type screwdriver to tighten the screws.

figure 10



4. Remove the adhesive backing from the base pad and affix the base pad to the underside of the base. (figure 11)

figure 11

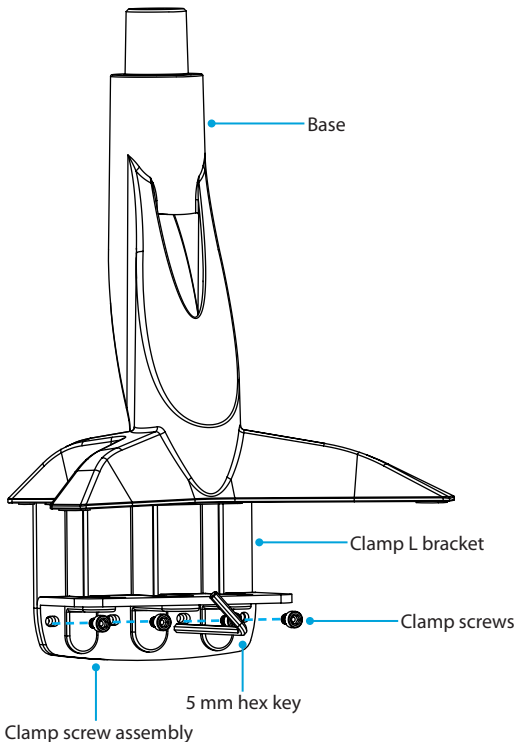


5. Align the four holes in the clamp screw assembly with the four lower holes in the clamp L bracket.
6. Insert four clamp screws through the clamp screw assembly and into the four lower screw holes, located in the clamp L bracket.

Note: The four lower screw holes must be used to achieve the full 8 mm - 65 mm clamp mounting range.

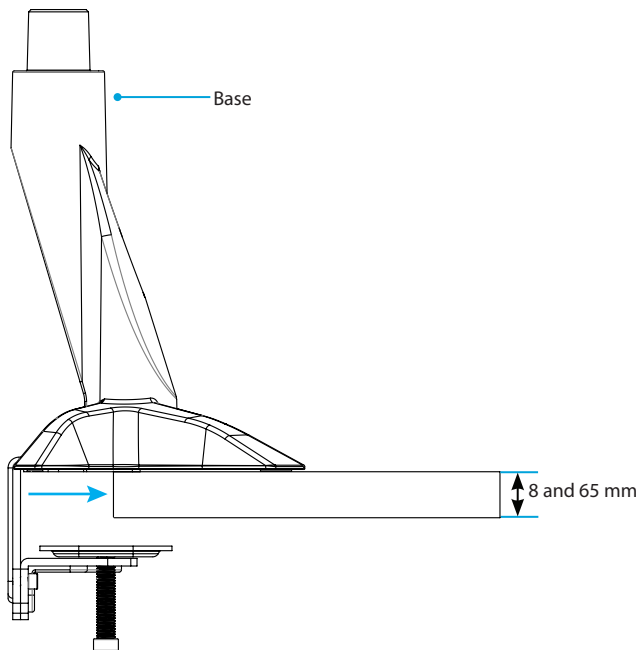
7. Use the 5 mm hex key to tighten the screws. (figure 12)

figure 12



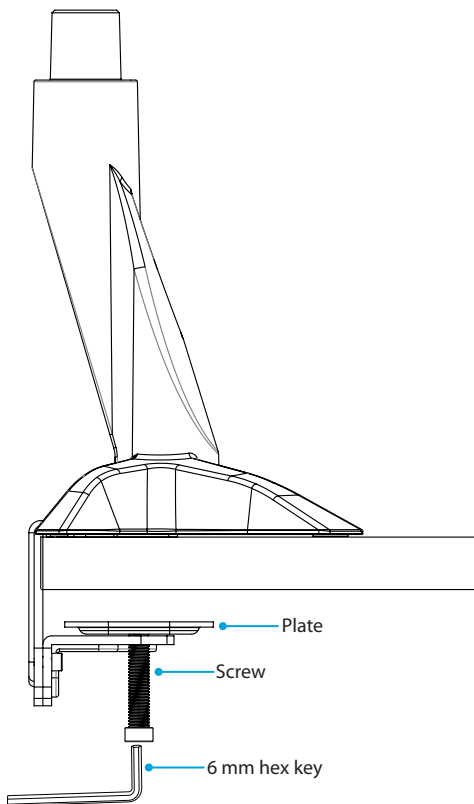
8. Slide the assembly over the edge of your desk or table. (figure 13)

figure 13



9. Use the 6 mm hex key to tighten the screws in the clamp screw assembly until the plates are tight against your desk or table. (figure 14)

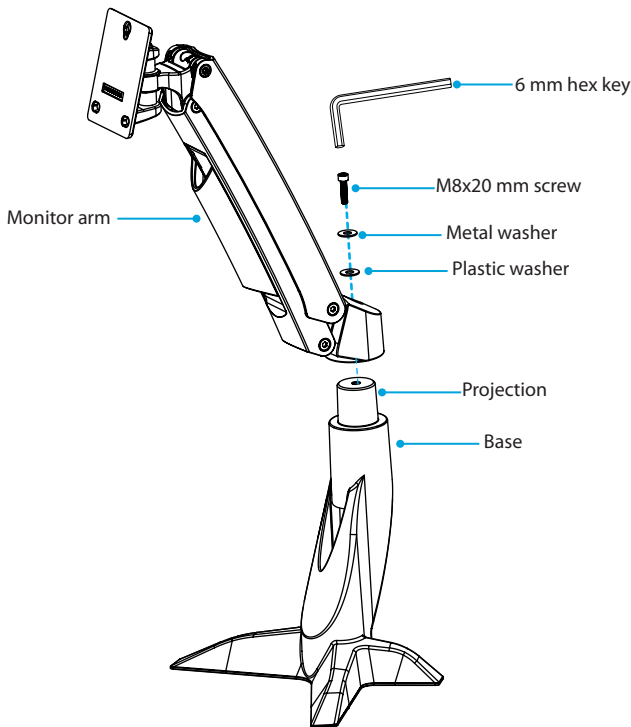
figure 14



Attach the monitor arm to the base

1. Place the monitor arm onto the projection on the base.
2. Place the plastic washer into the joint in the monitor arm.
3. Place the metal washer onto the plastic washer.
4. Insert the M8x20 mm screw through the washers and into the joint in the monitor arm.
5. Use the 6 mm hex key to tighten the screw. (figure 15)

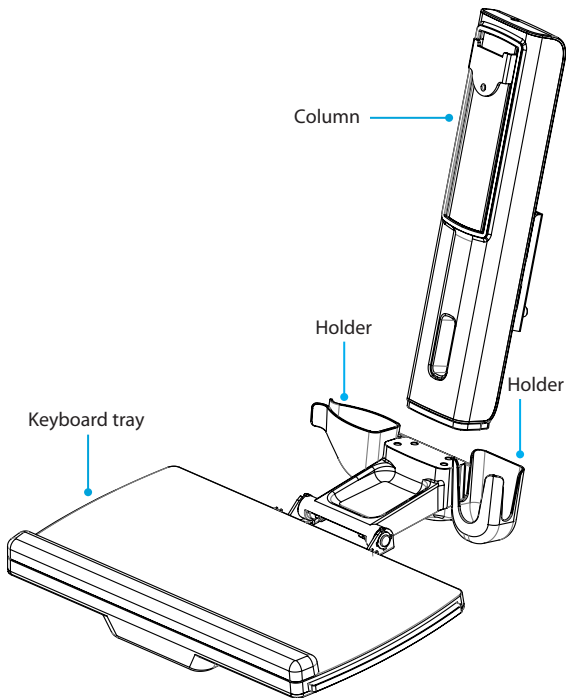
figure 15



Attach the column to the keyboard tray

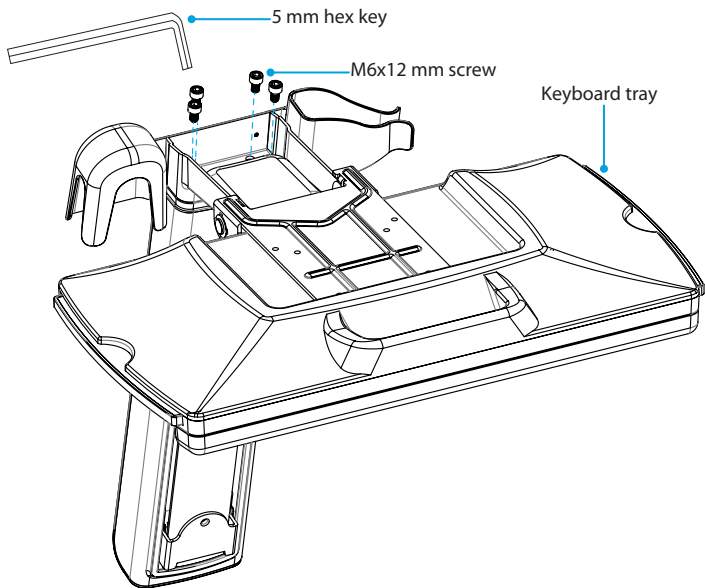
1. Position the column with the cutout at the bottom half of the column.
2. Line up the assembly holes on the bottom of the column with the assembly holes between the holders on the keyboard tray. (figure 16)

figure 16



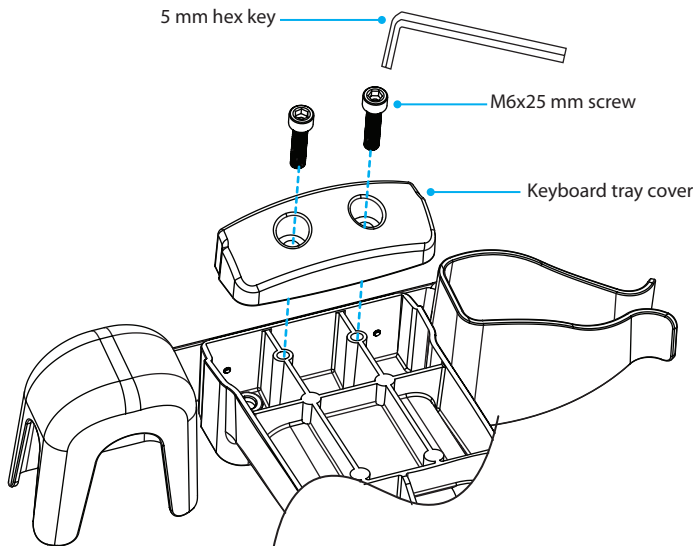
3. On the underside of the keyboard tray, insert the four M6x12 mm screws through the keyboard tray and into the column. (figure 17)
4. Use the 5 mm hex key to tighten the screws in place.

figure 17



5. On the underside of the keyboard tray, place the keyboard tray cap over the assembly holes.
6. Insert the two M6x25 mm screws into the keyboard tray cap and keyboard tray. (figure 18)
7. Use the 5 mm hex key to tighten the screws in place.

figure 18

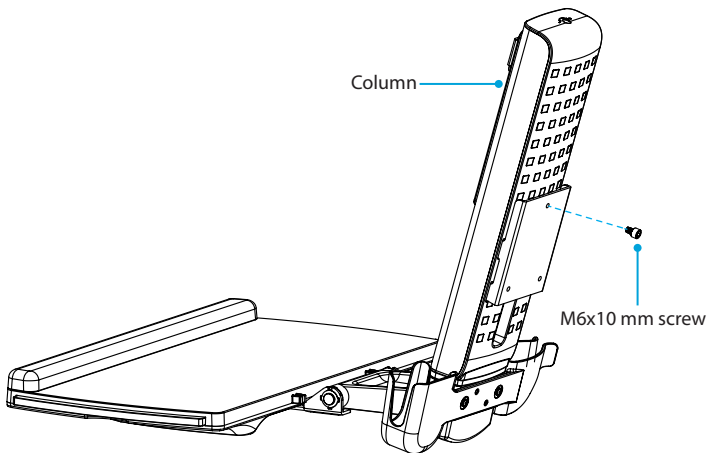


Attach the column to the monitor arm

1. Insert one of the M6x10 mm screws into the top hole in the plate on the back of the column. (*figure 19*)

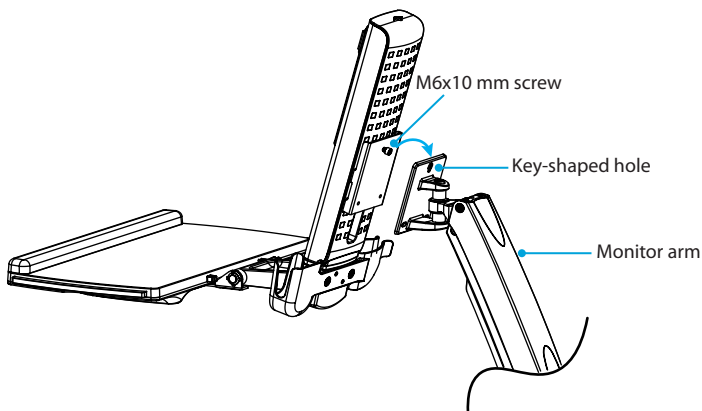
Note: Do not tighten the M6x10 mm screw and make sure that you leave between 4 and 5 mm of space between the plate and the screw.

figure 19



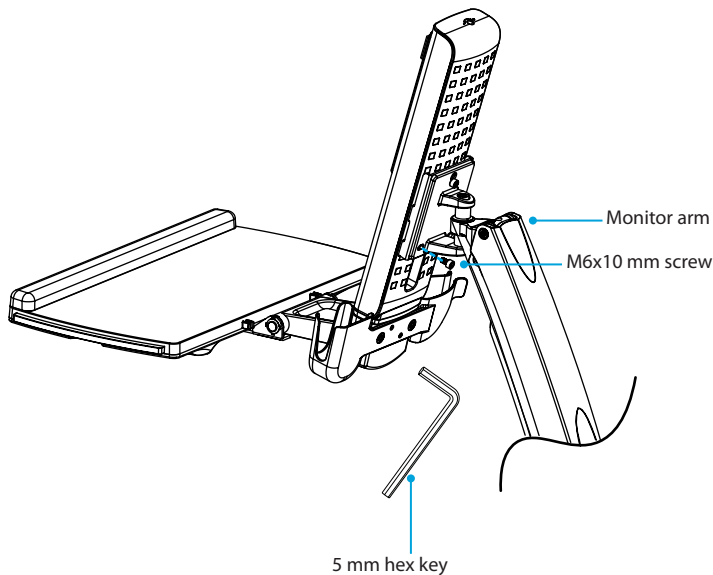
- Hook the M6x10 mm screw attached to the column into the key-shaped hole at the top of the plate on the monitor arm. (figure 20)

figure 20



3. Insert the M6x10 mm screws into the lower two holes on the plate on the monitor arm. (figure 21)
4. Use the 5 mm hex key to tighten all three of the screws.

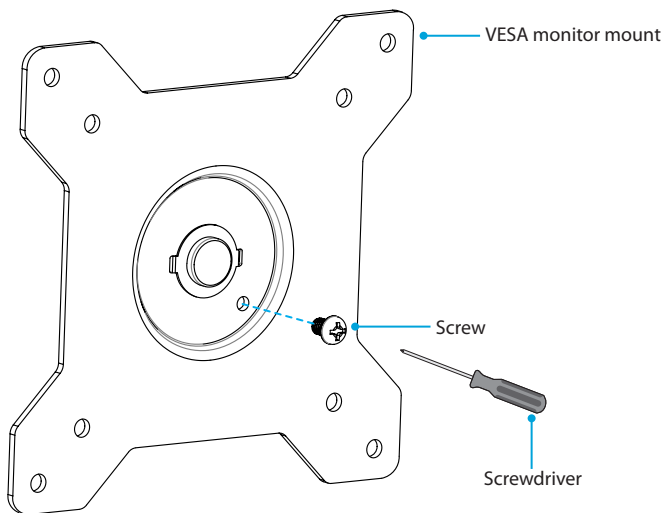
figure 21



Attach the VESA monitor mount to a monitor

1. If you want to be able to rotate your monitor 360°, use a Phillips type screwdriver to remove the screw from the VESA monitor mount. (figure 22)

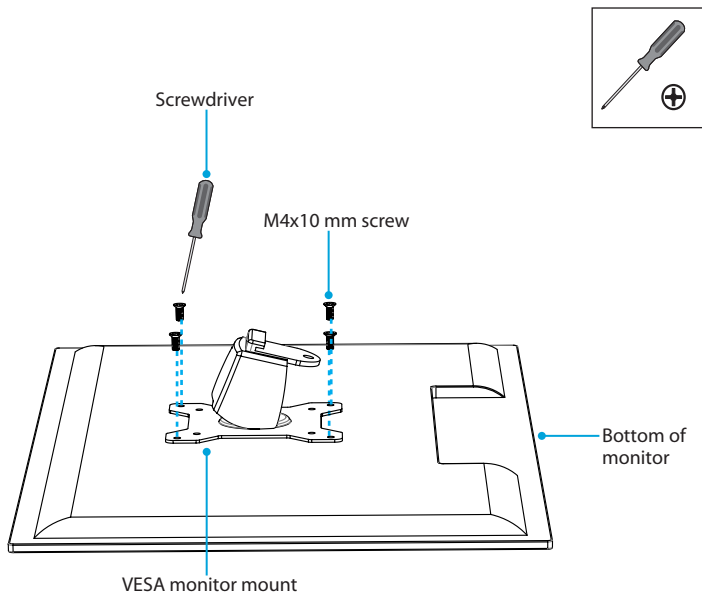
figure 22



2. Position the VESA monitor mount so that the projection on the back of the VESA monitor mount is pointing towards the bottom of the monitor.
3. Line up the VESA monitor mount with the mounting holes on the back of the monitor.
4. Insert the M4x10 mm screws through the VESA monitor mount and into the back of the monitor.
5. Use a Phillips type screwdriver to tighten the screws. (figure 23)

Warning! Do not over-tighten the screws. If you encounter resistance while you're tightening the screws, stop tightening. Failure to do so could result in damage to the monitor.

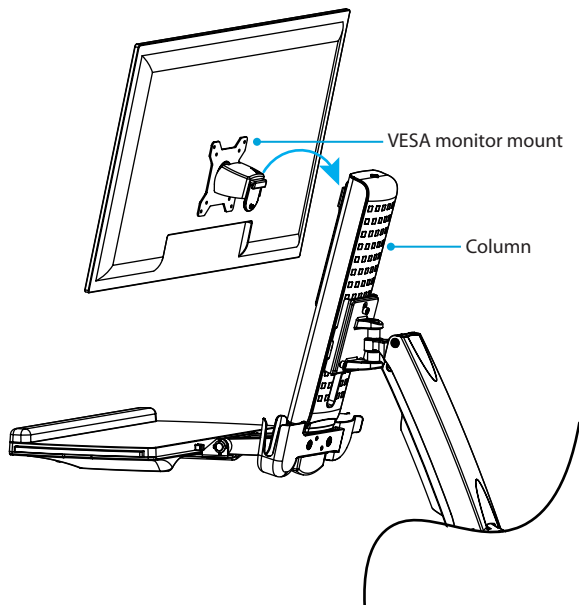
figure 23



Attach the monitor to the column

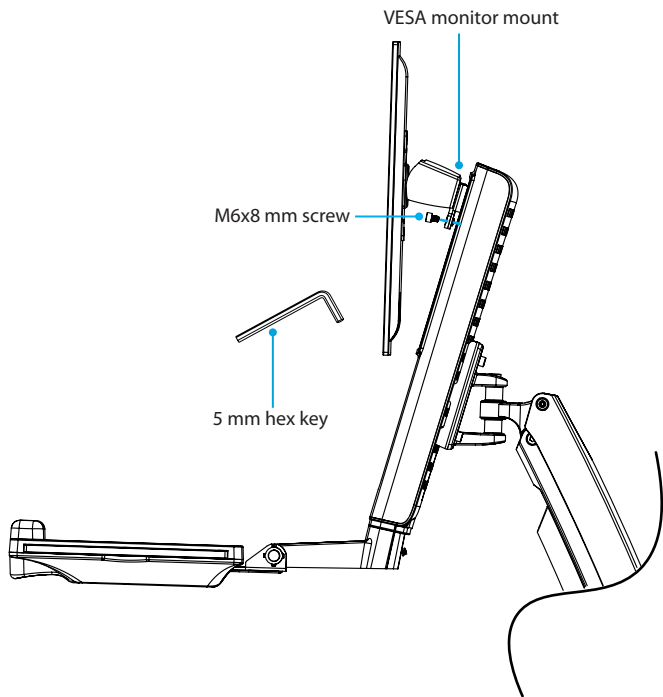
1. Carefully hook the back of the VESA monitor mount onto the plate on the column.
(figure 24)

figure 24



2. Insert the M6x8 mm screw through the bottom of the VESA monitor mount and into the plate on the column. (*figure 25*)
3. Use the 5 mm hex key to tighten the screw.

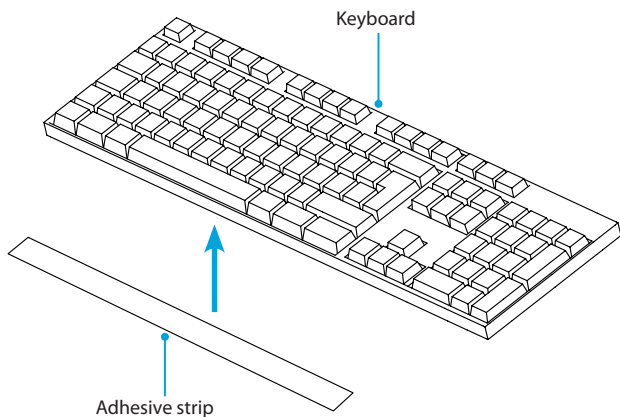
figure 25



Attach the adhesive strip

1. If necessary, cut the adhesive strip to fit the length of your keyboard.
2. Separate the two sides of the adhesive strip.
3. Remove the backing from one half of the adhesive strip and stick it to the back of your keyboard.
4. Remove the backing from the other half of the adhesive strip and stick it to the surface of the keyboard tray so that it lines up with the strip that you attached to your keyboard. (figure 26)

figure 26



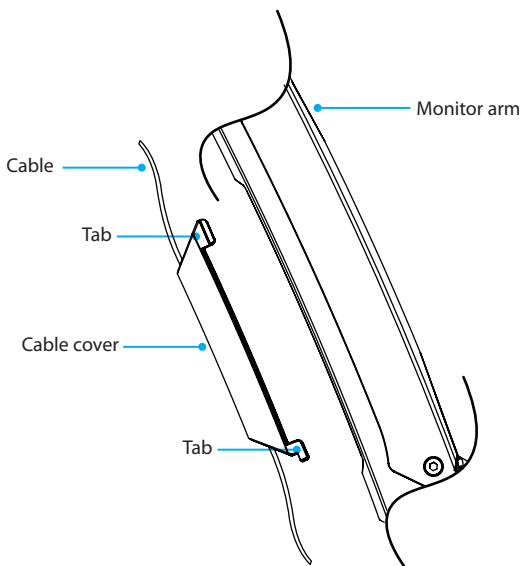
Route cables

1. Run your cable along the column and through the slot at the bottom of the column.
2. At the top of the cable cover, squeeze the tabs and gently pull the cable cover from the monitor arm.
3. Slide the cable cover up to unhook the tabs at the bottom of the cable cover from the slots in the monitor arm, and lift the cable cover off of the monitor arm.

Caution! Be careful not to snap off the tabs from the cable cover when you remove it.

4. Run the cable along the inside of the cable cover. (*figure 27*)
5. Hook the tabs at the bottom of the cable cover into the slots in the monitor arm, and push the tabs at the top of the cable cover into the corresponding slots.

figure 27

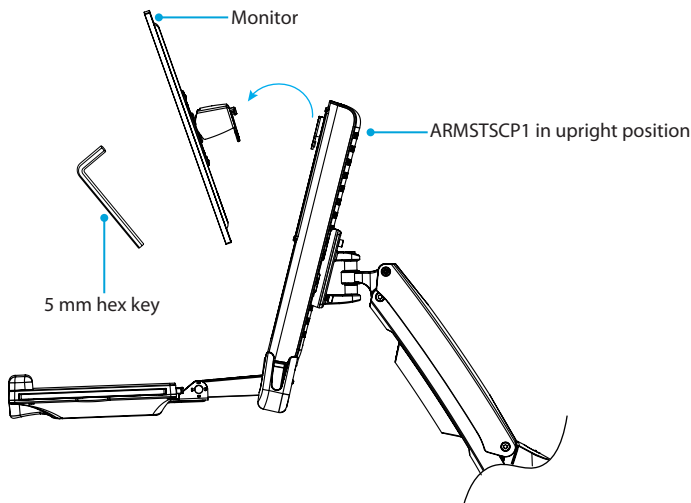


Remove the monitor

Warning: Stored energy hazard! The column contains a lift mechanism that could move up quickly when you remove the monitor from the product. Before you remove the monitor, move the monitor to the highest position. Failure to do so could result in injury or property damage.

1. Move the monitor to the highest position it can go. (*figure 28*)
2. Use the M5 hex key to remove the M6x8 mm screw from the bottom of the VESA monitor mount.
3. Carefully lift the monitor off of the monitor mount.

figure 28

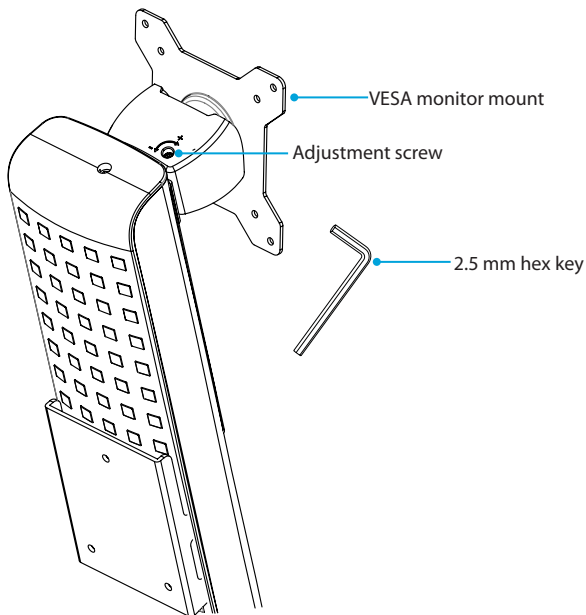


Adjusting the ARMSTSCP1

Adjust the tilt angle of the monitor

- To increase or decrease the tilt, use the 2.5 mm hex key and adjust the screw in the top of the VESA monitor mount. (*figure 29*)

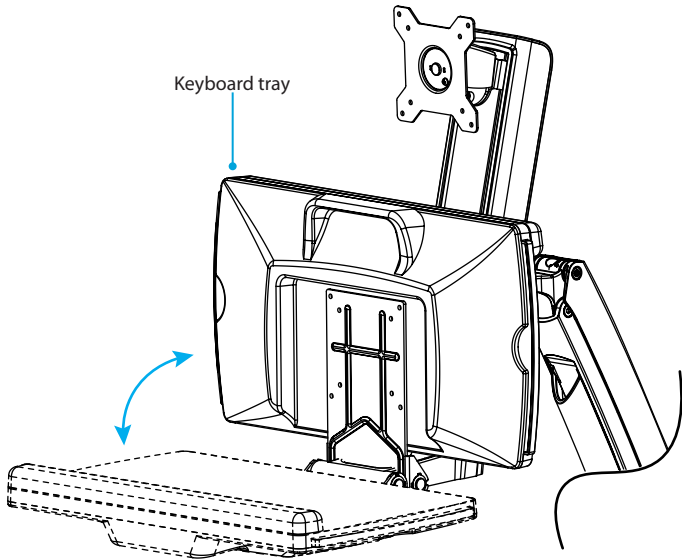
figure 29



Adjust the tilt angle of the keyboard tray

- Pull up or push down on the keyboard tray to adjust it from 0 to 90°. (figure 30)

figure 30

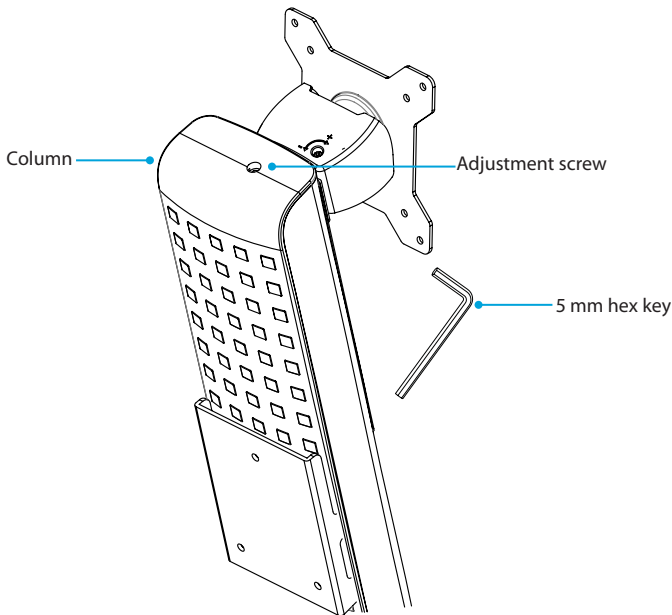


Counterbalance the weight of the monitor

The ARMSTSCP1 features a one-touch height adjustment design that enables you to easily raise or lower your monitor. To use the one-touch height adjustment feature, you need to counterbalance the weight of your monitor.

- If the monitor doesn't stay in position when you move it or it's difficult to raise or lower it, use the 5 mm hex key to turn the screw in the top of the column to the right or the left. (figure 31)

figure 31



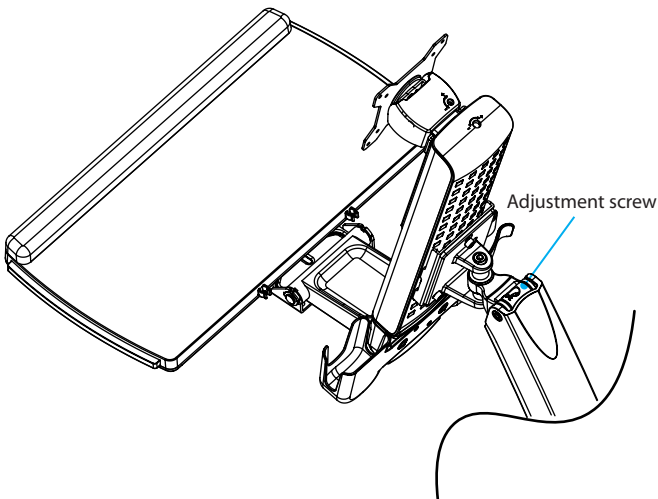
Counterbalance the weight of the workstation

The ARMSTSCP1 features a one-touch height adjustment design that enables you to easily raise or lower the entire workstation, including the keyboard tray. To use the one-touch height adjustment feature, you need to counterbalance the weight of the workstation.

Stored energy hazard! This product contains a lift mechanism that could move up quickly when you remove the mounted equipment. Before you remove the equipment, move the workstation to the highest position. Failure to do so could result in injury or property damage.

- If the workstation doesn't stay in position when you move it or it's difficult to raise or lower it, use the socket driver to adjust the screw in the hinge of the monitor arm. (figure 32)

figure 32

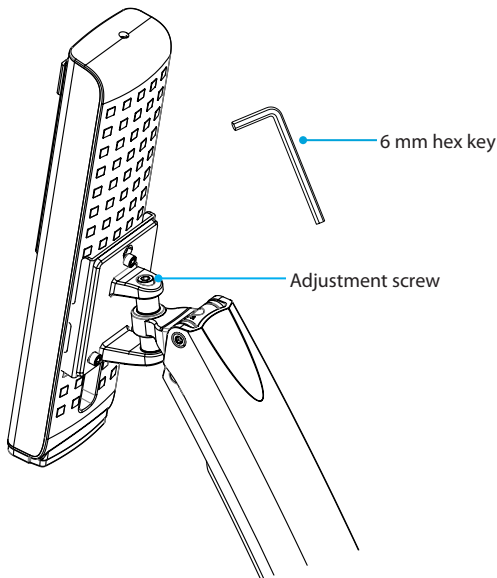


Adjust the swivel effort of the monitor arm

- To increase or decrease the swivel effort of the monitor arm, use the 6 mm hex key to turn the screw in the plate on the back of the column to the right or left.
(figure 33)

Caution! When you loosen the screw, make sure that you don't remove the screw from the joint. If you remove the screw, the column will fall off of the monitor arm and your equipment could be damaged or you could be injured.

figure 33

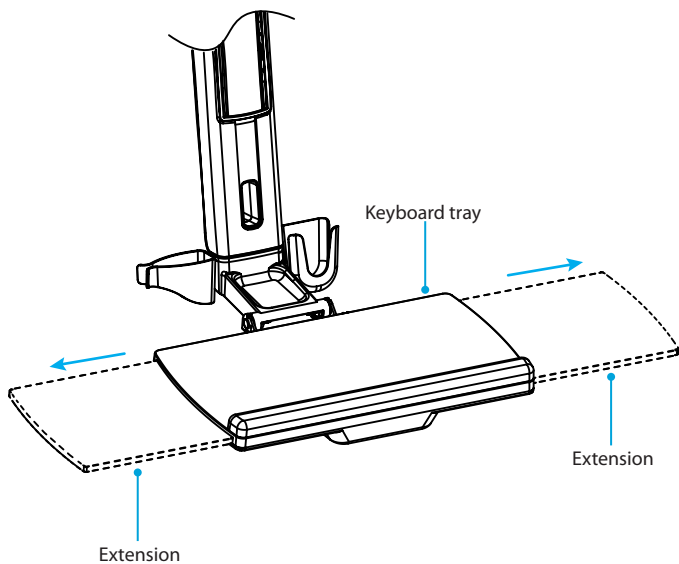


Extend the keyboard tray

You can adjust the keyboard tray so that it extends to the left or right.

- Pull the extension to the left or right.
(figure 34)

figure 34



Clean the keyboard tray

You can remove the extension and the plastic cover from the wrist rest to clean them.

1. To remove the plastic cover from the wrist rest, carefully peel it off of the keyboard tray. (figure 35)
2. To remove the keyboard tray extension, pull the extension all of the way out. On the underside of the keyboard tray, insert a blunt pin into one of the two holes, depress the clip, and pull the extension out of the keyboard tray. (figure 36)
3. Clean the keyboard tray components with warm water and a non-abrasive cleaner.

figure 35

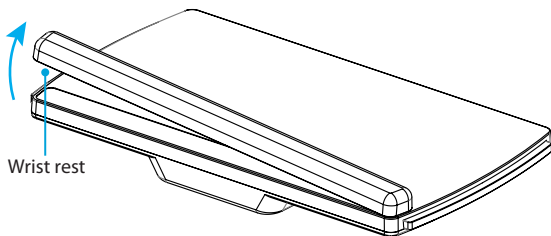
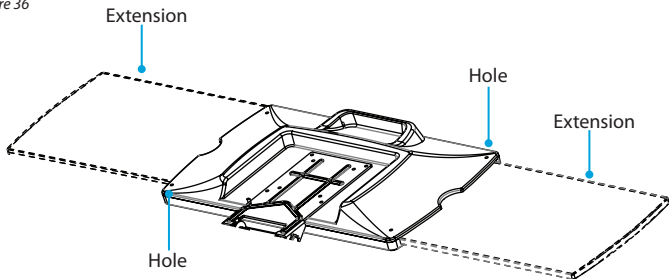


figure 36



Technical support

StarTech.com's lifetime technical support is an integral part of our commitment to provide industry-leading solutions. If you ever need help with your product, visit www.startech.com/support and access our comprehensive selection of online tools, documentation, and downloads.

For the latest drivers/software, please visit www.startech.com/downloads

Warranty information

This product is backed by a two-year warranty.

StarTech.com warrants its products against defects in materials and workmanship for the periods noted, following the initial date of purchase. During this period, the products may be returned for repair, or replacement with equivalent products at our discretion. The warranty covers parts and labor costs only. StarTech.com does not warrant its products from defects or damages arising from misuse, abuse, alteration, or normal wear and tear.

Limitation of liability

In no event shall the liability of StarTech.com Ltd. and StarTech.com USA LLP (or their officers, directors, employees or agents) for any damages (whether direct or indirect, special, punitive, incidental, consequential, or otherwise), loss of profits, loss of business, or any pecuniary loss, arising out of or related to the use of the product exceed the actual price paid for the product. Some states do not allow the exclusion or limitation of incidental or consequential damages. If such laws apply, the limitations or exclusions contained in this statement may not apply to you.

Hard-to-find made easy. At StarTech.com, that isn't a slogan. It's a promise.

StarTech.com is your one-stop source for every connectivity part you need. From the latest technology to legacy products — and all the parts that bridge the old and new — we can help you find the parts that connect your solutions.

We make it easy to locate the parts, and we quickly deliver them wherever they need to go. Just talk to one of our tech advisors or visit our website. You'll be connected to the products you need in no time.

Visit www.startech.com for complete information on all StarTech.com products and to access exclusive resources and time-saving tools.

StarTech.com is an ISO 9001 Registered manufacturer of connectivity and technology parts. StarTech.com was founded in 1985 and has operations in the United States, Canada, the United Kingdom and Taiwan servicing a worldwide market.

Reviews

Share your experiences using StarTech.com products, including product applications and setup, what you love about the products, and areas for improvement.

StarTech.com Ltd.

45 Artisans
Crescent
London, Ontario
N5V 5E9
Canada

StarTech.com LLP

4490 South
Hamilton Road
Groveport, Ohio
43125
U.S.A.

StarTech.com Ltd.

Unit B, Pinnacle 15
Gowerton Road
Brackmills,
Northampton
NN4 7BW
United Kingdom

StarTech.com Ltd.

Siriusdreef 17-27
2132 WT
Hoofddorp
The Netherlands

FR: fr.startech.com

DE: de.startech.com

ES: es.startech.com

NL: nl.startech.com

IT: it.startech.com

JP: jp.startech.com