

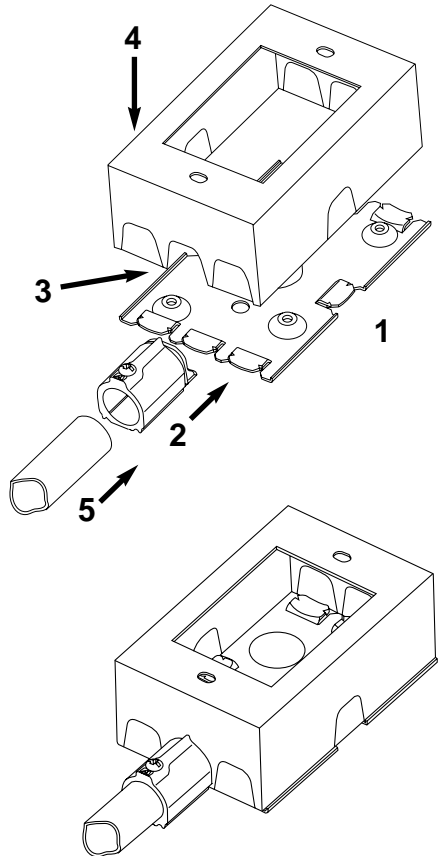
5791

5700 1/2" EMT Connector

INSTALLATION INSTRUCTIONS

Wiremold Electrical Systems conform with, and should be installed and properly grounded in compliance with requirements of the current National Electrical Code or codes administered by local authorities. All electrical products may represent a possible shock or fire hazard if improperly installed or used. Wiremold electrical products are UL listed, made for interior use and should be installed by qualified electrical people in conformance with current and local codes and/or the National Electrical Code.

1. Mount base to wall in desired location.
2. Attach 5791 to base tongue.
3. Remove cover twistout completely.
4. Mount cover to base.
5. Deburr end of 1/2" EMT, insert 1/2" EMT into 5791 and tighten screw.



Fitting Wire Capacities for Power (40% Fill)

Wire Size	Capacity
#14	12
#12	9
#10	5

