

EMD935F

1080p Full High Definition

Outdoor IP66 Mobile IR Mini Ball Camera

User's Manual



Copyright © EverFocus Electronics Corp,
Release Date: May, 2016

Precautions

1. **Do not install the camera near electric or magnetic fields.** Install the camera away from TV/radio transmitters, magnets, electric motors, transformers and audio speakers since the electromagnetic fields generated from these devices may distort the video image or otherwise interfere with camera operation.
2. **Never disassemble the camera beyond the recommendations in this manual nor introduce materials other than those recommended herein.** Improper disassembly or introduction of corrosive materials may result in equipment failure or other damage.
3. **Try to avoid facing the camera toward the sun.** In some circumstances, direct sunlight may cause permanent damage to the sensor and/or internal circuits, as well as creating unbalanced illumination beyond the capability of the camera to compensate.
4. **Keep the power cable away from water and other liquids and never touch the power cord with wet hands.** Touching a wet power cord with your hands or touching the power cord with wet hands may result in electric shock.
5. **Never install the camera in areas exposed to oil, gas or solvents.** Oil, gas or solvents may result in equipment failure, electric shock or, in extreme cases, fire.
6. **Cleaning.** For cameras with interchangeable lenses, do not touch the surface of the sensor directly with the hands. Use lens tissue or a cotton tipped applicator and ethanol to clean the sensor and the camera lens. Use a damp soft cloth to remove any dirt from the camera body. Please do not use complex solvents, corrosive or abrasive agents for cleaning of any part of the camera.
7. **Do not operate the camera beyond the specified temperature, humidity or power source ratings.** This camera is suitable for indoor operation only. Use the camera at temperatures within $-10^{\circ}\text{C}\sim 50^{\circ}\text{C}$ ($-14^{\circ}\text{F}\sim 122^{\circ}\text{F}$) and humidity less than 80%; this device is not rated as submersible. The input power source is 12VDC. Be sure to connect the proper + / - polarity and voltage, as incorrect polarity or too high a voltage will likely cause the camera to fail, and such damage is not covered by the warranty.
8. **Mounting.** Use care in selecting a solid mounting surface which will support the weight of the camera plus any wind, snow, ice or other loading, and securely attach the camera to the mounting surface using screws and anchors which will properly support the camera. If necessary (e.g. when mounting to drop ceilings) use a safety wire to provide additional support for the camera.

Safety Notice

Federal Communication Commission Interference Statement

This equipment has been tested and found to comply with the limits for a Class A digital device, pursuant to Part 15 of the FCC Rules. These limits are designed to provide reasonable protection against harmful interference in a residential installation. This equipment generates uses and can radiate radio frequency energy and, if not installed and used in accordance with the instructions, may cause harmful interference to radio communications. However, there is no guarantee that interference will not occur in a particular installation. If this equipment does cause harmful interference to radio or television reception, which can be determined by turning the equipment off and on, the user is encouraged to try to correct the interference by one of the following measures:

- Reorient or relocate the receiving antenna.
- Increase the separation between the equipment and receiver.
- Connect the equipment into an outlet on a circuit different from that to which the receiver is connected.
- Consult the dealer or an experienced radio/TV technician for help.

FCC Caution: Any changes or modifications not expressly approved by the party responsible for compliance could void the user's authority to operate this equipment.

This device complies with Part 15 of the FCC Rules. Operation is subject to the following two conditions: (1) This device may not cause harmful interference, and (2) this device must accept any interference received, including interference that may cause undesired operation.



ATTENTION! This is a class A product which may cause radio interference in a domestic environment; in this case, the user may be urged to take adequate measures.



This Product is RoHS compliant.



WEEE

Your EverFocus product is designed and manufactured with high quality materials and components which can be recycled and reused. This symbol means that electrical and electronic equipment, at their end-of-life, should be disposed of separately from your household waste. Please, dispose of this equipment at your local community waste collection/recycling centre. In the European Union there are separate collection systems for used electrical and electronic product.

Please, help us to conserve the environment we live in!

Contents

1. INTRODUCTION	5
1.1 PACKING LIST	5
1.2 FEATURES.....	5
2. CABLE DESCRIPTION	6
3. INSTALLATION	7
3.1 INSTALLATION AND ADJUSTMENT	7
4. CONFIGURATION IN THE OSD MENU	10
5. SPECIFICATIONS	14

1. Introduction

The EverFocus eZ.HD Series EMD935F is equipped with a 1/2.9" SONY 2.24M pixels CMOS sensor and providing high resolution of 1080p. Featured with the Digital Wide Dynamic Range (D-WDR) function, the camera can provide clear images even under back light circumstances where intensity of illumination can vary excessively.

The EMD935F with its 3 Axis rotation design allows wall or ceiling mounting flexibility in an **IP66 weather resistant**. The EMD935F comes with 6 IR LEDs, supporting up to 10m (~33ft.) IR distance in night vision, also can work in both indoor and outdoor environments. The EMD935F supports both NTSC and PAL scanning systems, which can be switched.

1.1 Packing List

- Camera Body x 1
- User Manual x 1
- DC Power Pigtail Cable x 1
- Template Plate x 1
- Set Screw x 2
- Screw x 3
- Plastic Anchor x 3
- Hexagon Wrench x 1
- UTC Controller (for OSD setup) x 1 (order separately)

1.2 Features

- 1080p full HD with high flexibility and performance for astounding image
- 1/2.9" SONY 2.24M pixels CMOS sensor, delivering amazing high sensitivity
- Astounding image quality from the 3.6mm lens
- Extended IR range of up to 10M/33ft. with 6 LEDs (depending on scene IR reflectivity)
- Exview HAD CCD II delivers amazing high sensitivity of 0.05lux – very low light sensitivity
- D-WDR to improve the visibility under high contrast scene
- 3D Noise Reduction ensures less blurry moving subjects, vivid and high SN ratio images even under low light environments
- Supports 1080p, 720p & 960H analog signal output.
- eZ.Controller function : Control camera OSD settings and PTZ operation from DVR end

2. Cable Description

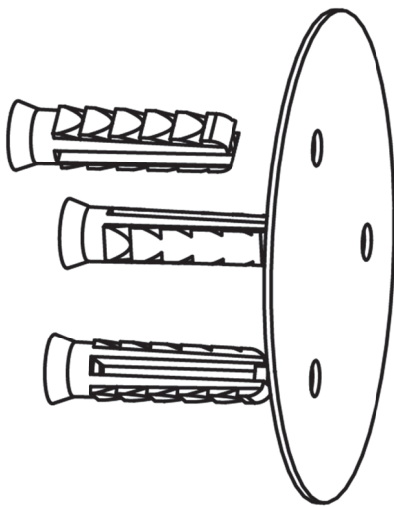


No.	Name	Descriptions
1	Power Cable	Connects to a 12VDC power source.
2	Video Output	1080p, 720p and 960H output, using a 75 Ohm BNC-type coaxial cable.
3	DC Power Pigtail Cable	Optional power pigtail cable. The red wire is positive (+); while the black wire is negative (-).

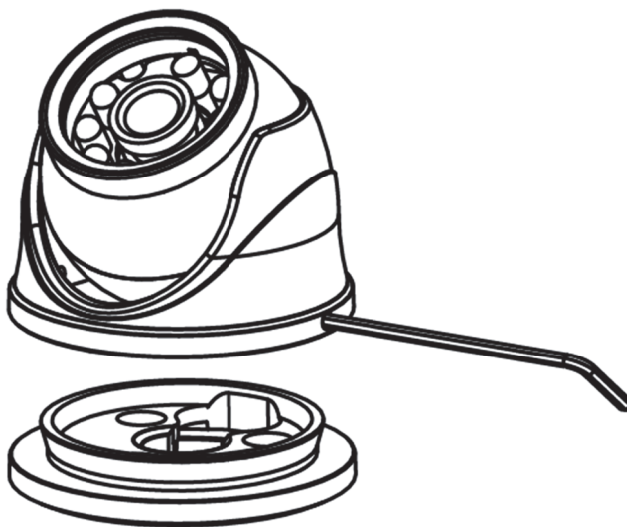
3. Installation

3.1 Installation and Adjustment

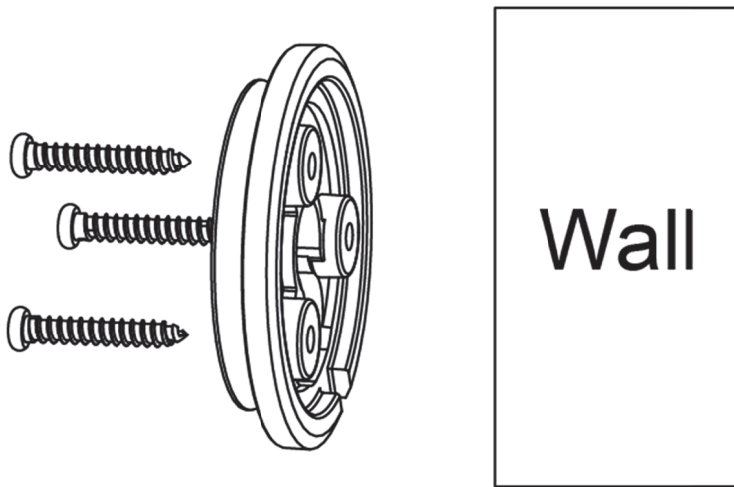
1. For Ceiling Mount / Wall Mount users: Stick the template plate on the position where you want to attach the camera, drill three holes on the template plate and insert the supplied three anchors. Drill another hole in the template plate only if you want to wire the cables through the wall / ceiling.



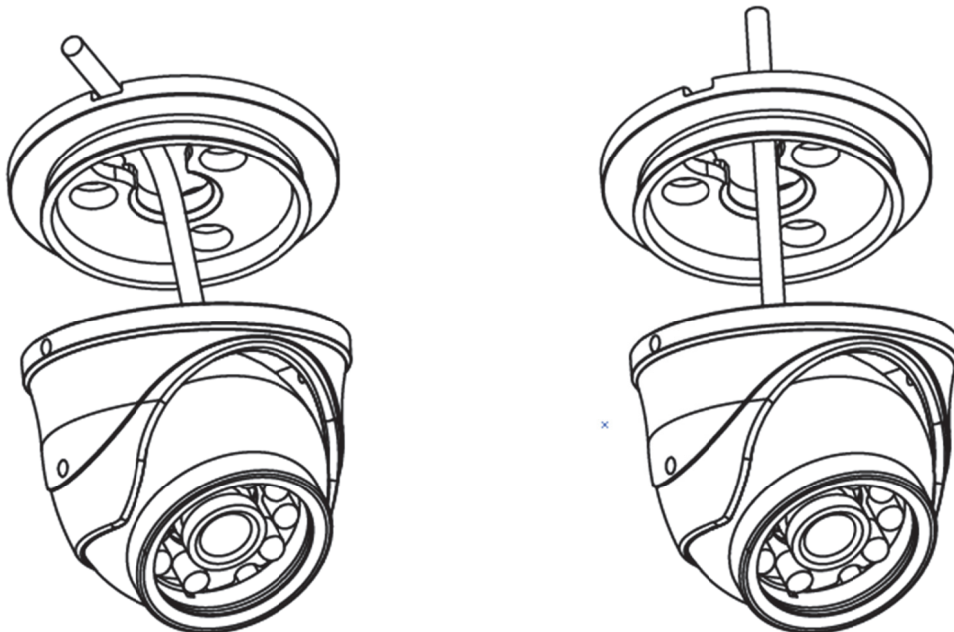
2. Loosen the two screws using the supplied hexagon wrench to remove the base plate from the camera.



3. Screw the camera base plate to the wall / ceiling using the supplied three screws.



4. Screw the camera body back to base plate with supplied hexagon wrench , particularly noted the two ways on cable wiring as following illustration:

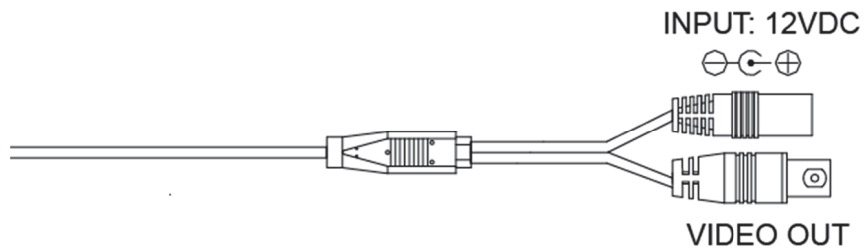


**Wire the Cables from the Side
of the camera base**

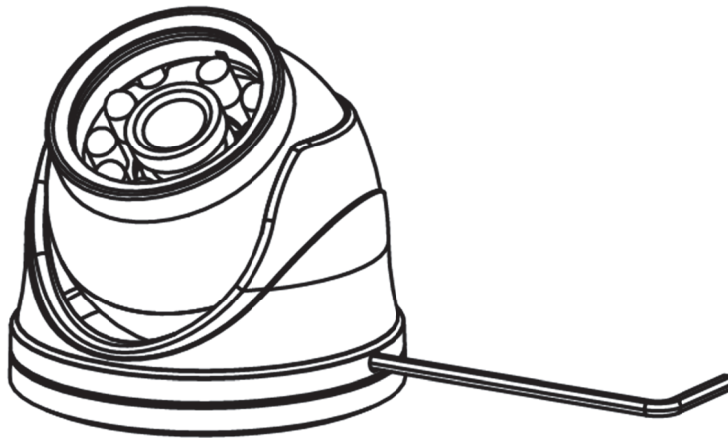
**Wire the cables through
the wall / ceiling**

Remark: The camera body no need to be locked too tight in this step, will make it tighten at the below steps after selected the suited angle.

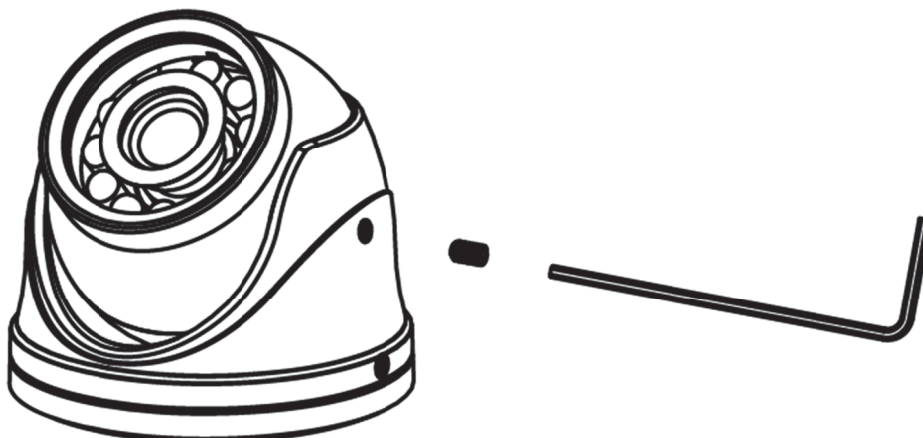
5. Connect the camera to the 12VDC power source using the supplied DC power pigtail cable or power adapter, while connecting the video-out cable to the monitor.



6. After selected the desired angle, then tighten the two screws using the supplied hexagon wrench, which close to base plate and one on each side of camera.



7. Fasten the upper holes using the supplied two set screws and hexagon wrench hole, which close to camera lens and one on each side).
Noted: This is special designed for protecting the lens from shaking when the vehicle running on the uneven road.



4. Configuration in the OSD Menu

You can configure camera settings in the OSD menu from DVR end. For details on the OSD menu structure as below:

No.	Main	Sub Menu	Sub Menu / Function			
1	Lens	Manual				
2	Exposure	Shutter	NTSC: 1/30, 1/60, FLK, 1/240, 1/480, 1/1000, 1/2000, 1/5000, 1/10000, 1/50000, X2, X4, X6, X8, X10, X15, X20, X25, X30, Auto			
			PAL: 1/25, 1/50, FLK, 1/200, 1/400, 1/1000, 1/2000, 1/5000, 1/10000, 1/50000, X2, X4, X6, X8, X10, X15, X20, X25, X30, Auto			
		AGC	0 – 15			
		Sens-up	Off			
			Auto	Sens-up	X2, X4, X6, X8, X10, X15, X20, X25, X30	
		Brightness	1-100(40)			
		D-WDR	Off			
			On	Level	0-8	
			Auto			
		Defog	Off			
Auto	Pos/Size		Position, Size, ↑, ↓, →, ←			
	Gradation		0-2			
Default						
3	Backlight	Off				
		BLC	Level	Middle, High, Low		
			Area	Position, Size, ↑, ↓, →, ←		
			Default			
		HSBLC	Select	Area1, Area2, Area3, Area4		
			Display	Off		
				On	Position, Size, ↑, ↓, →, ←	
			Black Mask	On/Off		
			Level	0-100		
			Model	All Day		
Night	AGC Level	0-255				
Default						
4	White Balance	ATW				
		AWC→SET				

		Special 2 *				
		Special 1 *				
		Manual	Blue	0-100		
			Red	0-100		
AWB						
5	Day & Night	Ext	D→N(Delay)	0-60		
			N→D(Delay)	0-60		
		Auto	D→N(AGC)	1-255		
			D→N(Delay)	0-60		
			N→D(AGC)	1-255		
			N→D(Delay)	0-60		
		Color				
		B/W	Burst	Off/On		
			IR Smart	Off		
				On	Level	0-15
Area	Position, Size, ↑, ↓, →, ←					
IR PWM	0-100					
6	NR	2DNR	Middle/Low/Off/High			
		3DNR	Middle/Low/Off/High			
7	Special	Cam Title	Off			
			On	0123456789ABCDEFGHIJKLMN OPQRSTUVWXYZ▶→ ← ↑ ↓ () ^ _ █ /=&:~,.		
		D-effect	Freeze	Off/On		
			Mirror	Off, Mirror, V-flip, Rotate		
			Neg. Image	Off/On		
		Motion	On	Off		
				Select	Area1,Area2,Area3,Area4	
					Display	On
				Off		
				Sensitivity	0-100	
Color	Green, Blue, White, Red					
Trans	1.00,0.75,0.50, 0.25					
Alarm	View Type	Off, Block, Outline, All				
	OSD View	On/Off				
	Alarm Out	On/Off				

				Time	1-15	
			Default			
	Privacy	Off				
		On	Select	Area1,Area2,Area3,Area4		
			Display		Off	
				Color	Position, Size, ↑, ↓, →, ←	
				Mosaic	Position, Size, ↑, ↓, →, ←	
				Inv	Position, Size, ↑, ↓, →, ←	
			Color	White, Black, Red, Blue, CYAN, Yellow, Green		
			Trans	1.00,0.75,0.50, 0.25		
			Default			
		Language	ENG/CHN1/CHN2/GER/FRA/ITA/SPA/POL/RUS/POR/NED/TUR			
	Defect	Live DPC	Off			
			On	AGC level	0-255	
		Level		0-100		
		White DPC	On	Off		
				Pos/Size	Position, Size, ↑, ↓, →, ←	
				Start	Close the iris then press	
				DPC View	Off/On	
				Level	0-60	
				AGC	0-14	
		Sens-up	x2, x4, x6, x8,x10, x15, x20, x25, x30			
		Black DPC	On	Off		
				Pos/Siz	Position, Size, ↑, ↓, →, ←	
				Start	Press Enter	
				DPC View	Off/On	
				Level	0-255	
		RS485	CAM ID	0-255		
	ID Display		Off/On			

			Baud Rate	2400,4800,9600,19200 ,38400			
8	Adjust	Sharpness	Off				
			Auto	Level	0-10		
				Start AGC	0-255		
		End AGC		0-255			
		Monitor	CRT	Black Level	0-60		
				Blue Gain	0-100		
				Red Gain	0-255		
			LCD	Gamma	User,0.45,0.50,0.55,0.60,0.65,0.70,0.75,0.80,0.85,0.90,0.95,1.00		
				Blue Gain	0-100		
				Red Gain	0-100		
		LSC	Off/On				
Video. Out	PAL/NTSC						
9	Exit	Save& END /Reset/Not Saved					

Note:

- If the Color Temperature of your operation environment only stays around 6500K, you can select “Special 1” as the White Balance strategy
- If the Color Temperature of your operation environment only stays around 2800K, you can select “Special 2” as the White Balance strategy.
- If the Color Temperature of your operation environment varies, or does not stay around 6500K / 2800K, please use the default White Balance strategy.

5. Specifications

P/N	EMD935F
Pickup Device	1/2.9" Sony 2.24M pixels CMOS
Video Format	NTSC and PAL(can be switched via OSD)
Effective Pixels	1920 (H)x1080(V)
Scanning System	Progressive Scan
Sensitivity	0 lux with IR on
Electronic Shutter	AUTO/Manual (X30~1/50,000)/FLK
Gamma Correction	0.45
Lens Type	3.6mm Fixed lens
BLC	OFF/HSBLC/BLC Selectable
AGC	0~15 Levels
White Balance	ATW/AWC-SET/INDOOR/OUTDOOR/MANUAL/AWB
Sync Mode	Internal
Day/Night	Ext, Auto, Color, B/W
IR LED	6 Units.
IR Distance	Up to 10m/33ft. (depending on scene IR reflectivity)
OSD Languages	12-Language
DNR	2DNR/3DNR, Off
DEFOG	Off/Auto
D-WDR	On/Off
Sens-up	Off/On(x30~x2)
Mirror	Off, Mirror, V-flip, Rotate
Motion Detection	Off/On for 4 selectable zones
Privacy Mask	Off/On for 4 selectable zones
Environment	IP66 Weather Resistant
Power Source	12VDC
Power Consumption	1.5w max.
Operating Temperature	-10°C~50°C / 14°F~122°F
Humidity	Less than 80%
Dimensions	58.4 x 60.1mm / 2.3" x 2.4"
Weight	160g / 0.35lbs.
Certifications	CE / FCC / Rohs

Specifications and designs are subject to change for improving the functionality of this product without notice.

EverFocus Electronics Corp.

EverFocus Taiwan:

12F-1, No.79, Sec. 1, Shin-Tai Wu Road,
Hsi-Chih, New Taipei City, Taiwan
TEL: +886 2 2698 2334
FAX: +886 2 2698 3943
www.everfocus.com.tw
marketing@everfocus.com.tw

EverFocus China - Beijing:

Room 609, Technology Trade Building,
Shangdi Information Industry Base,
Haidian District, Beijing 100085, China
TEL: +86 10 6297 3336~39
FAX: +86 10 6297 1423
www.everfocus.com.cn
marketing@everfocus.com.cn

EverFocus USA - California:

1801 Highland Avenue, Unit A, Duarte, CA 91010,
USA
TEL: +1 626 844 8888
FAX: +1 626 844 8838
www.everfocus.com
sales@everfocus.com

EverFocus Europe - Germany:

Albert-Einstein-Strasse 1, D-46446
Emmerich, Germany
TEL: +49 2822 93940
FAX: +49 2822 939495
www.everfocus.de
sales@everfocus.de

EverFocus China - Shenzhen:

4F, No. 2, D4 Building, Wan Yelong
Industrial Park, Tangtou Road, Shiyan,
Baoan, Shenzhen, Guangdong 518101, China
TEL: +86 755 2765 1313
FAX: +86 755 2765 0337
www.everfocus.com.cn
marketing@everfocus.com.cn

EverFocus Japan:

3F Kuramochi, BuildingII 2-2-3 Koto-Bashi,
Sumida-Ku Tokyo, 130-0022, Japan
TEL: +81 3 5625 8188
FAX: +81 3 5625 8189
www.everfocus.co.jp
info@everfocus.co.jp



Your EverFocus product is designed and manufactured with high quality materials and components which can be recycled and reused.
This symbol means that electrical and electronic equipment, at their end-of-life, should be disposed of separately from your household waste.
Please, dispose of this equipment at your local community waste collection/recycling centre.
In the European Union there are separate collection systems for used electrical and electronic product.
Please, help us to conserve the environment we live in!

Ihr EverFocus Produkt wurde entwickelt und hergestellt mit qualitativ hochwertigen Materialien und Komponenten, die recycelt und wieder verwendet werden können.
Dieses Symbol bedeutet, dass elektrische und elektronische Geräte am Ende ihrer Nutzungsdauer vom Hausmüll getrennt entsorgt werden sollen.
Bitte entsorgen Sie dieses Gerät bei Ihrer örtlichen kommunalen Sammelstelle oder im Recycling Centre.
Helfen Sie uns bitte, die Umwelt zu erhalten, in der wir leben!



EverFocus