

Quad-Monitor Arm

ARMQUAD



*actual product may vary from photos

FR: Guide de l'utilisateur - fr.startech.com

DE: Bedienungsanleitung - de.startech.com

ES: Guía del usuario - es.startech.com

NL: Gebruiksaanwijzing - nl.startech.com

PT: Guia do usuário - pt.startech.com

IT: Guida per l'uso - it.startech.com

For the latest information, technical specifications, and support for this product, please visit www.StarTech.com/ARMQUAD.

Warning statements

Make sure to assemble this product according to the instructions. Failure to do so might result in personal injury or property damage.

Make sure that the weight of the monitor doesn't exceed the weight capacity of this product. If you exceed the weight capacity, you might experience personal injury or damage to the equipment. This product can support the following weight: 17.6 lb. (8 kg) per monitor mount.

Never operate this product if parts are missing or damaged.

Allowing any part of your component cables to get caught between moveable parts might result in personal injury or damage to your equipment.

Varningsmeddelanden

Se till att du monterar produkten i enlighet med instruktionerna. Om du inte gör det kan skada på person eller egendom uppstå.

Se till att skärmens vikt inte överstiger produktens viktkapacitet. Om viktkapaciteten överstigs kan skada på person eller utrustning uppstå. Denna produkt har stöd för följande vikter: 8 kg per skärm.

Använd aldrig produkten om delar saknas eller är skadade.

Om någon del av dina komponentkablar fastnar mellan rörliga delar kan skada på person eller utrustning uppstå.

Avertissements

Assemblez ce produit conformément aux instructions. Si vous ne respectez pas ces instructions, vous risquez de vous blesser ou d'endommager l'équipement.

Vérifiez que le poids du moniteur ne dépasse pas la capacité pondérale du produit. Si vous dépassez la capacité pondérale, vous risquez des blessures corporelles ou des dommages matériels. Ce produit peut supporter 8 kg par écran.

N'utilisez pas ce produit si des pièces sont endommagées ou manquantes.

Si les câbles des composants se coincent entre des parties mobiles, vous risquez des blessures corporelles ou des dommages matériels.

Warnhinweise

Montieren Sie dieses Produkt gemäß den Anweisungen. Anderenfalls kann dies zu Verletzungen von Personen oder Schäden an Eigentum führen.

Das Gewicht des Monitors darf die zulässige Traglast des Produkts nicht übersteigen. Wenn die Traglast überschritten wird, kann dies zu Verletzungen von Personen oder Schäden an Geräten führen. Dieses Produkt ist für folgendes Gewicht geeignet: 8 kg pro Monitor.

Das Produkt darf nicht bedient werden, wenn Teile fehlen oder beschädigt sind.

Wenn sich Komponentenkabel in beweglichen Teilen verfangen, kann dies zu Verletzungen von Personen oder Schäden an Geräten führen.

Dichiarazioni di avvertenza

Assemblare il prodotto rispettando le istruzioni. Il mancato rispetto delle istruzioni potrebbe causare danni a persone o proprietà.

Verificare che il peso del monitor non superi la capacità di supporto del prodotto. In caso di superamento della capacità di supporto potrebbero verificarsi danni a persone o apparecchiature. Il prodotto è in grado di supportare i seguenti pesi: 8 kg per monitor.

Non utilizzare il prodotto in presenza di parti mancanti o danneggiate.

Eventuale intrappolamento dei cavi del componente fra elementi in movimento potrebbe causare danni a persone o apparecchiature.

Mensagens de aviso

Certifique-se de que monta este produto de acordo com as instruções. O incumprimento pode resultar em ferimentos pessoais ou danos de propriedade.

Certifique-se de que o peso do monitor não excede a capacidade de peso deste produto. Se exceder a capacidade de peso, pode sofrer ferimentos pessoais ou danos no equipamento. Este produto pode suportar o seguinte peso: 8 kg por monitor.

Nunca opere este produto se faltarem peças ou estas estiverem danificadas.

As permissão que qualquer parte dos cabos do seu componente fique preso entre partes móveis, pode resultar em ferimentos pessoais ou danos no seu equipamento.

Advertencias de uso

Asegúrese de ensamblar este producto según las instrucciones. De lo contrario, pueden producirse lesiones personales o daños de propiedad.

Asegúrese de que el peso del monitor no exceda la capacidad de carga de este producto. Si se excede dicha capacidad se podrían producirse lesiones personales o daños al equipo. Este producto tiene capacidad para el siguiente peso: 8 kg por monitor.

Nunca opere o ponga en funcionamiento este producto si faltan piezas o hay daños en las mismas.

En caso de que los cables de su componente queden atascados en piezas en movimiento se pueden producir lesiones personales o daños en el equipo.

Waarschuwingen

Zorg dat dit product volgens de instructies in elkaar wordt gezet. Indien dit niet goed gebeurt kan lichamelijk letsel of materiële schade ontstaan.

Zorg dat het gewicht van het scherm de maximale capaciteit van dit product niet overschrijdt. Als u de gewichtscapaciteit overschrijdt, kan persoonlijk letsel of schade aan de apparatuur ontstaan. Dit product ondersteunt het volgende gewicht: 8 kg per monitor.

Gebruik dit product nooit als er onderdelen ontbreken of beschadigd zijn.

Als uw componentkabels tussen bewegende delen vast komen te zitten, kan dit lichamelijk letsel of schade aan de apparatuur veroorzaken.

注意

必ず取扱説明書に従って本製品の組み立てを行って下さい。取り扱いを誤った場合に、傷害を負う恐れや物的損害が発生する恐れがあります。

取り付けるモニターの重量が、本製品で定められた最大積載重量を超えないようにして下さい。最大積載重量をオーバーした場合、傷害を負う恐れやモニターや本製品に損害が発生する恐れがあります。本製品は、モニター1台あたり8kgまで支持できます。

本製品で使用している部品の一部が紛失していたり損傷している状態で使用するものは絶対に止めて下さい。

ケーブルの一部が本製品の可動部に引っ掛かってしまった場合、傷害を負う恐れやモニターや本製品に損害が発生する恐れがあります。

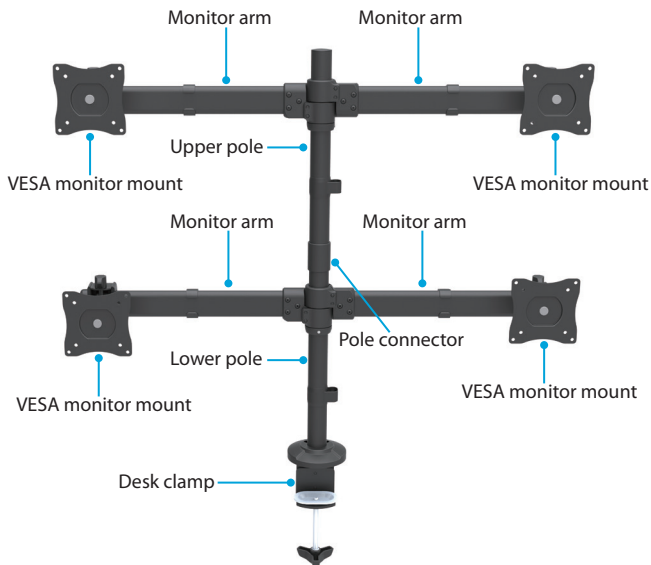
Table of Contents

| | |
|---|-----------|
| Warnings | i |
| Introduction | 1 |
| Product diagram..... | 1 |
| Product dimensions | 2 |
| Technical specifications | 3 |
| Package contents..... | 4 |
| Requirements..... | 6 |
| Assembly | 7 |
| Attach the ARMQUAD to your mounting surface | 7 |
| Attach monitor arms to the lower pole..... | 12 |
| Attach monitors to the monitor arms on the lower pole | 14 |
| Attach monitor arms to the upper pole..... | 16 |
| Attach monitors to the monitor arms on the upper pole | 19 |
| Adjust the position of the monitors..... | 22 |
| Attach the cable-management clips..... | 25 |
| Technical support..... | 26 |
| Warranty information | 26 |

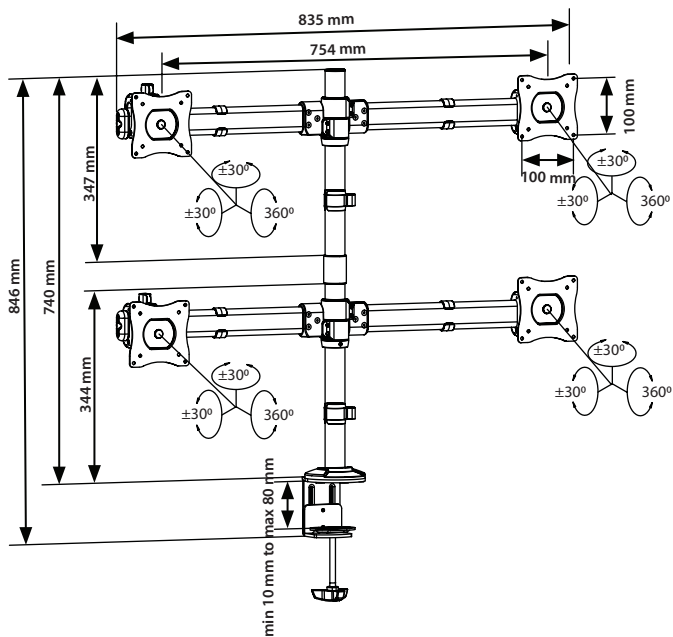
Introduction

Use the ARMQUAD to mount four monitors, and use the cable-management clips to keep your cables organized. Adjust the position of the monitors to set up your workstation in the way that works best for you.




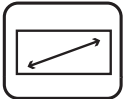
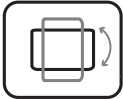

Product diagram



Product dimensions



Technical specifications

| Type of measurement | Measurement |
|---|--|
| VESA mounting hole pattern  | 75x75 100x100 |
| Weight capacity  | Up to 17.6 lb. (8 kg) per monitor mount |
| Tilt  | +30° to -30° |
| Screen size  | 330 to 686 mm (13 to 27 in.) |
| Rotate  | 360° |
| Swivel  | +30° to -30° |

Package contents

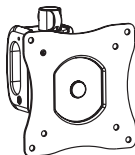
1



Monitor arms

Qty: Four

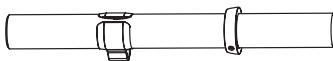
2



VESA monitor mounts

Qty: Four

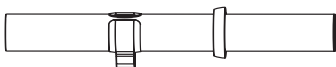
3



Lower pole

Qty: One

4



Upper pole

Qty: One

5



Pole connector

Qty: One

6



Cable-management clips

Qty: Four

7



End caps

Qty: Four

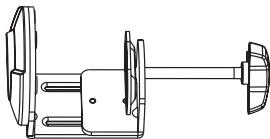
8



Thumbscrews

Qty: Four

9



Desk clamp
Qty: One

10



3 mm hex key
Qty: One

11



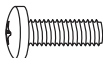
5 mm hex key
Qty: One

12



M4x14 mm screws
Qty: Sixteen

13



M5x14 mm screws
Qty: Sixteen

14



Washers
Qty: Sixteen

15



Grommet collar
Qty: One

16



Grommet plate
Qty: One

Assembly

Attach the ARMQUAD to your mounting surface

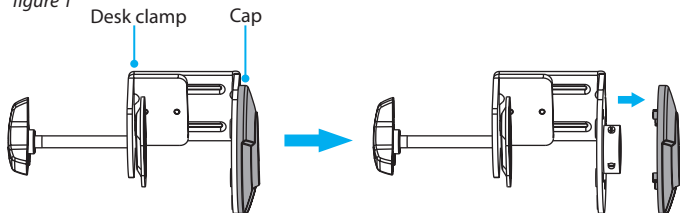
There are two ways that you can attach the ARMQUAD to your mounting surface: a desk clamp or a grommet mount. The desk clamp ships preassembled.

Use the desk clamp to attach the ARMQUAD

Warning! Make sure that the weight of the monitors doesn't exceed the weight capacity of this product. If you exceed the weight capacity, you might experience personal injury or damage to the product. This product can support the following weight: Up to 8 kg (17.6 lb.) per monitor mount, for a total of 32 kg (70.4 lb.).

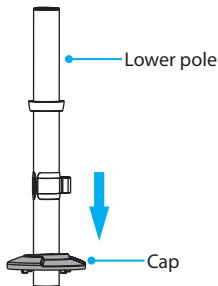
1. Remove the cap from the top of the **desk clamp (9)**. (*figure 1*)

figure 1



2. Thread the **lower pole (3)** through the cap that you removed from the desk clamp. (*figure 2*)

figure 2



3. Screw the **lower pole** and cap into the top of the **desk clamp**. (figure 3)
4. Use the **3 mm hex key (10)** to tighten the screws in the **desk clamp**. (figure 4)

figure 3

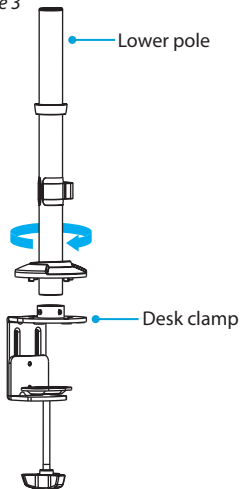
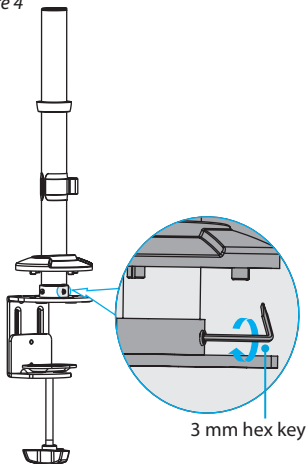
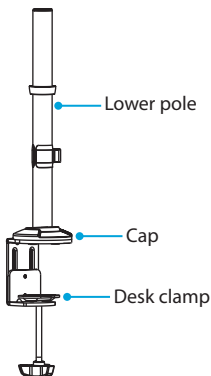


figure 4



5. Push down the cap so that it sits flush against the top of the **desk clamp**. (figure 5)

figure 5

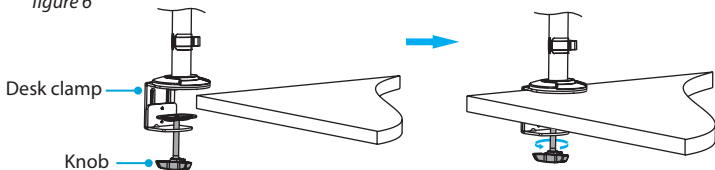


6. Remove the backing from the five **rubber pads** (17) and attach them underneath the top of the **desk clamp**.
7. Turn the knob on the **desk clamp** counterclockwise until you reach the thickness of the desk or table that you're attaching the ARMQUAD to.

Note: The desk mount can accommodate a desk or table that's between 10 and 80 mm (0.4 and 3.1 in.) thick.

8. Slide the **desk clamp** over the edge of the desk or table (*figure 6*).
9. Turn the knob clockwise to tighten the **desk clamp**.

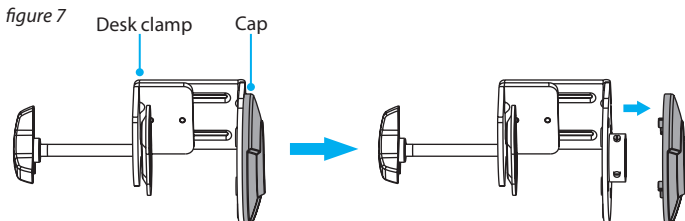
figure 6



Use the grommet mount to attach the ARMQUAD

Warning! Make sure that the weight of the monitors doesn't exceed the weight capacity of this product. If you exceed the weight capacity, you might experience personal injury or damage to the product. This product can support the following weight: Up to 8 kg (17.6 lb.) per monitor mount, for a total of 32 kg (70.4 lb.).

1. Remove the cap from the top of the **desk clamp** (9). (*figure 7*)

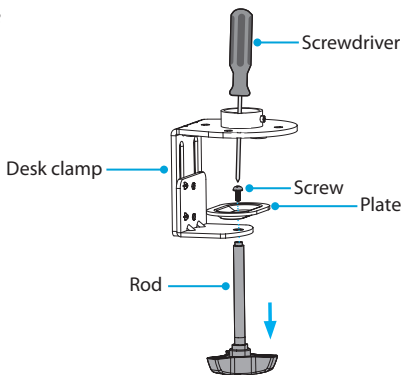


2. Thread a Phillips screwdriver through the top of the **desk clamp** and unscrew the screw and remove the washer and plate. (figure 8)

Tip! Keep the screw, washer, and plate in a safe place so that you can use them again if you want to switch back to the desk clamp.

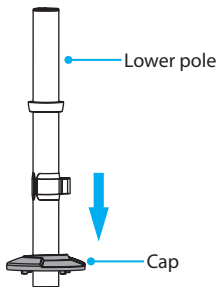
3. Remove the rod from the bottom of the **desk clamp**. (figure 8)

figure 8



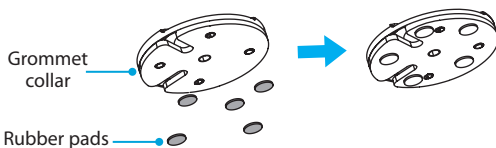
4. Thread the **lower pole** (3) through the cap that you removed from the desk clamp. (figure 9)

figure 9



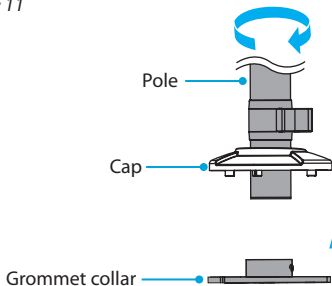
5. Remove the backing from the five **rubber pads** (17) and affix them to the bottom of the **grommet collar** (15). (figure 10)

figure 10



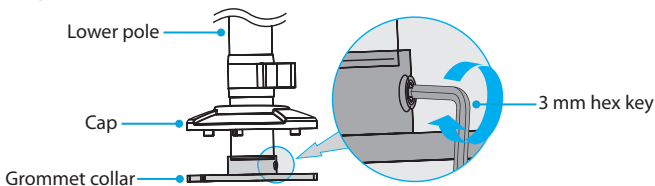
6. Screw the **lower pole** and cap into the top of the **grommet collar**. (figure 11)

figure 11



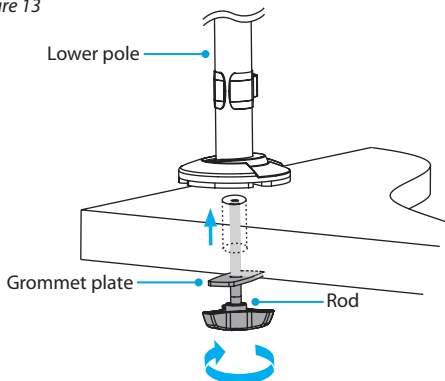
7. Use the **3 mm hex key** (10) to tighten the screw in the **grommet collar**, and push down the cap so that it sits flush against the **grommet collar**. (figure 12)

figure 12



- Thread the **grommet plate** (16) onto the rod.
- Place the assembled **lower pole** and **grommet collar** over the grommet hole in your mounting surface. On the underside of the mounting surface, thread the rod up through the grommet hole and into the **lower pole**.
- Turn the knob clockwise to tighten the grommet mount. (figure 13)

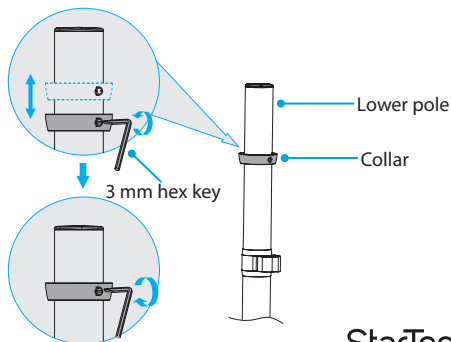
figure 13



Attach monitor arms to the lower pole

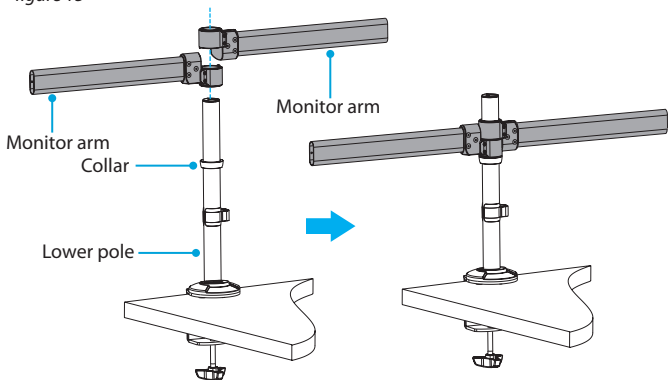
- Use the **3 mm hex key** (10) to loosen the screw in the collar on the **lower pole** (3).
- Slide the collar to the height that you want the two lower monitors to sit at, and use the **3 mm hex key** to tighten the screw in the collar. (figure 14)

figure 14



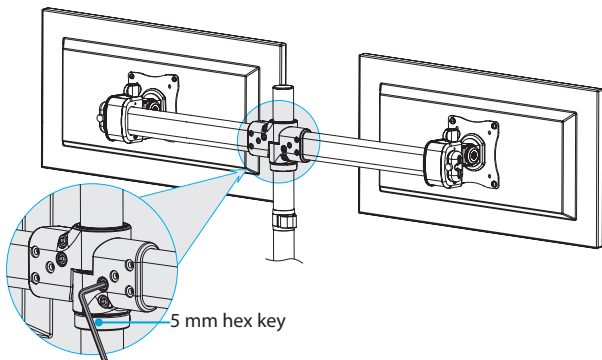
- Slide one of the **monitor arms** (1) down the **lower pole** so that it sits against the collar.
- Slide a second **monitor arm** down the **lower pole** so that it sits against the first **monitor arm** and extends in the opposite direction of the first **monitor arm**. (figure 15)

figure 15



Note: When you assemble the ARMQUAD for the first time, you need to use the 5 mm hex key (11) to tighten the screws in each of the **monitor arm** joints. (figure 16)

figure 16



Attach monitors to the monitor arms on the lower pole

Warning! Attaching the monitors is a two-person job. Do not attempt to complete this task by yourself.

To accommodate different monitor designs, the ARMQUAD comes with two sets of screws that are different lengths and diameters.

To select the appropriate screws for the type of monitors that you're using, complete the following:

- Determine whether the back of the monitors are flush or inset.
- Determine the depth of the mounting holes on the monitors.
- Determine the diameter of the mounting holes on the monitors.

1. Position one of the **VESA monitor mounts** (2) over the mounting holes on the back of one of your monitors.

Note: Make sure that you position the **VESA monitor mount** so that the adjustment screw on the **monitor mount** is facing towards the top of the monitor.

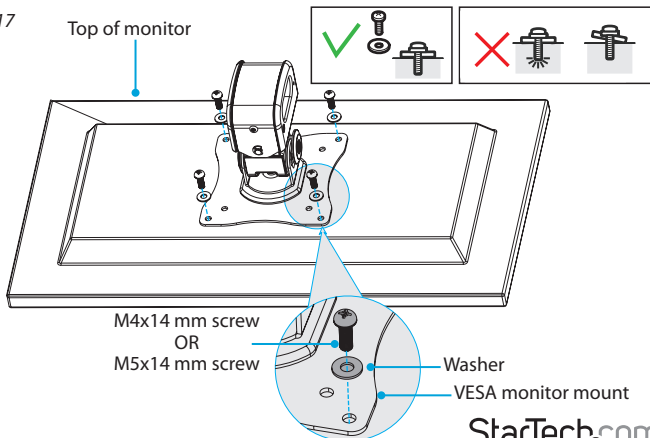
2. Position four of the **washers** (14) over the holes on the **VESA monitor mount**.

3. Insert four of the **M4x14 mm screws** (12) or the **M5x14 mm screws** (13) through the **washers**, the **VESA monitor mount**, and into the monitor. (*figure 17*)

4. Use a Phillips screwdriver to tighten the screws.

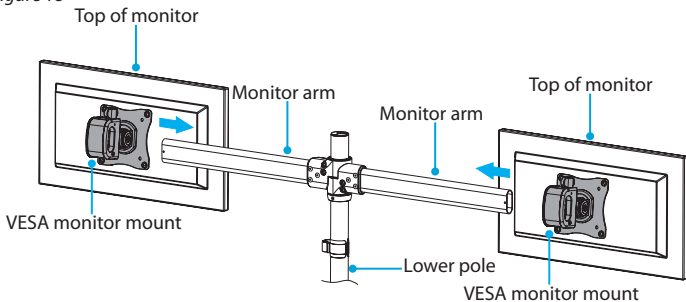
Warning! Do not over-tighten the screws. If you encounter resistance while you're tightening the screws, stop tightening. Failure to do so could result in damage to the monitor.

figure 17



- Complete steps 1 to 4 to add a **VESA monitor mount** to a second monitor.
- Slide one of the **VESA monitor mounts** with the monitor attached over the end of one of the **monitor arms** (1) attached to the **lower pole** (3).
- Slide the second **VESA monitor mount** and monitor over the end of the other **monitor arm** attached to the **lower pole**. (figure 18)

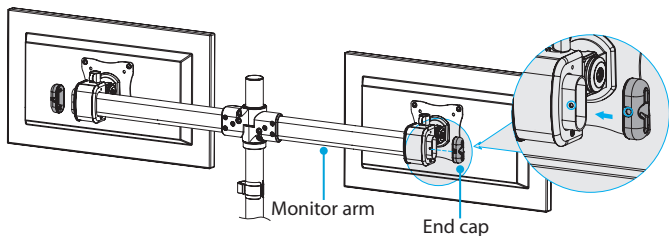
figure 18



- Place an **end cap** (7) on the end of each of the **monitor arms** attached to the **lower pole**. (figure 19)

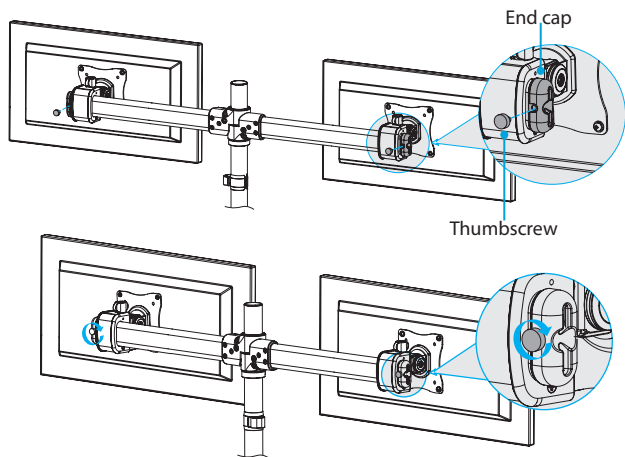
Note: Make sure that you line up the hole on the **end cap** with the corresponding hole on the end of the **monitor arms**.

figure 19



- Insert a **thumbscrew** (8) through the hole in each of the **end caps** and into the **monitor arms**, and tighten the **thumbscrews** in place. (figure 20)

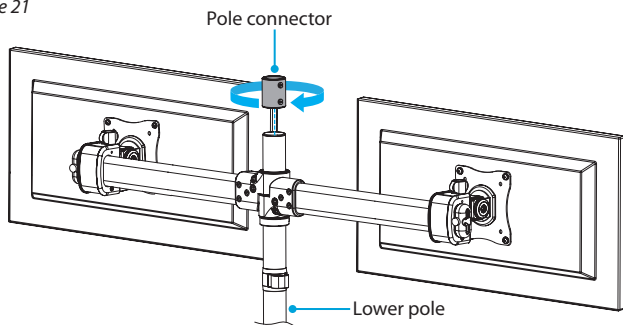
figure 20



Attach monitor arms to the upper pole

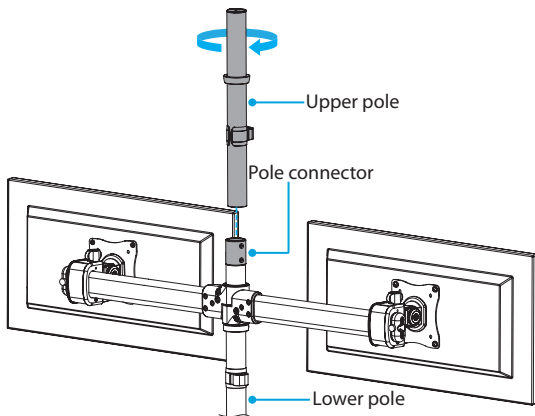
1. Screw the pole connector (5) onto the end of the lower pole (3). (figure 21)

figure 21



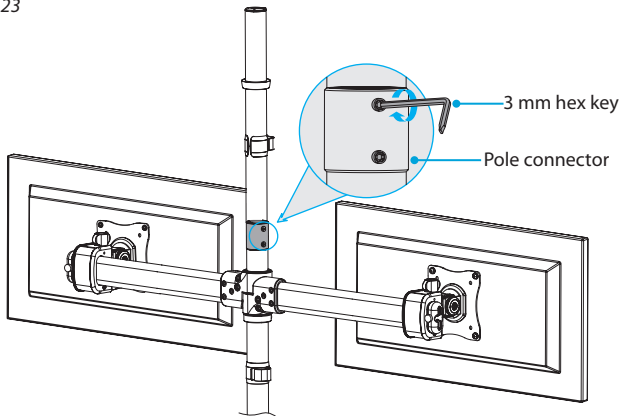
2. Screw the **upper pole** (4) into the **pole connector**. (figure 22)

figure 22



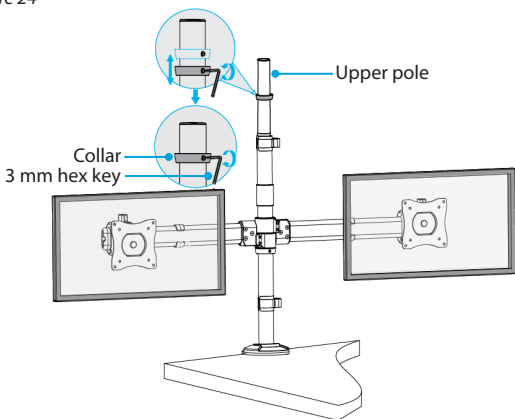
3. Use the **3 mm hex key** (10) to tighten the two screws in the side of the **pole connector**. (figure 23)

figure 23



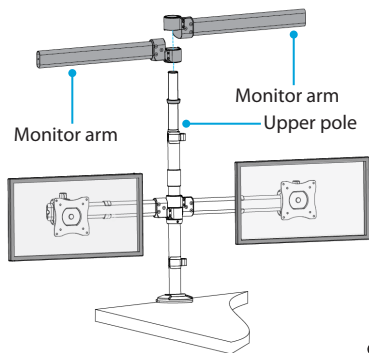
- Use the **3 mm hex key** to loosen the screw in the collar on the **upper pole**.
- Slide the collar to the height that you want the two monitors to sit at, and use the **3 mm hex key** to tighten the screw in the collar. (*figure 24*)

figure 24



- Slide one of the **monitor arms** (1) down the **upper pole** so that it sits against the collar.
- Slide the fourth **monitor arm** down the **upper pole** so that it sits against the other **monitor arm** and extends in the opposite direction. (*figure 25*)

figure 25



Attach monitors to the monitor arms on the upper pole

Warning! Attaching the monitors is a two-person job. Do not attempt to complete this task by yourself.

To accommodate different monitor designs, the ARMQUAD comes with two sets of screws that are different lengths and diameters.

To select the appropriate screws for the type of monitors that you're using, complete the following:

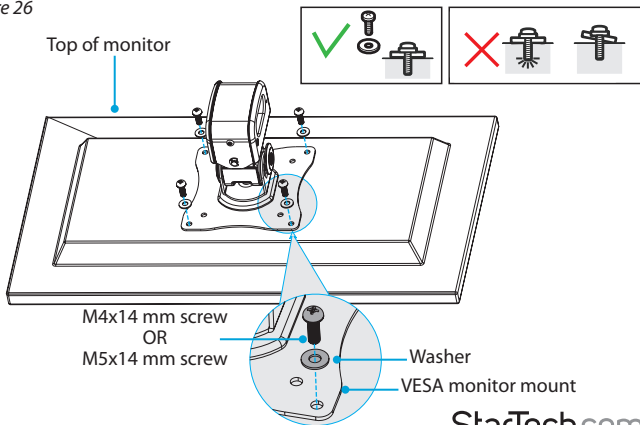
- Determine whether the back of the monitors are flush or inset.
 - Determine the depth of the mounting holes on the monitors.
 - Determine the diameter of the mounting holes on the monitors.
1. Position one of the **VESA monitor mounts** (2) over the mounting holes on the back of one of your monitors.

Note: Make sure that you position the **VESA monitor mount** so that the adjustment screw on the **monitor mount** is facing towards the top of the monitor.

2. Position four of the **washers** (14) over the holes on the **VESA monitor mount**.
3. Insert four of the **M4x14 mm screws** (12) or the **M5x14 mm screws** (13) through the **washers**, the **VESA monitor mount**, and into the monitor. (*figure 26*)
4. Use a Phillips screwdriver to tighten the screws.

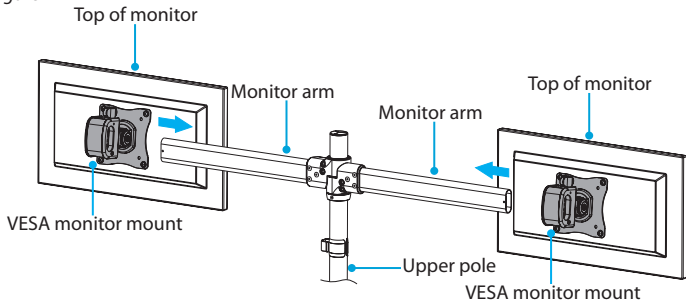
Warning! Do not over-tighten the screws. If you encounter resistance while you're tightening the screws, stop tightening. Failure to do so could result in damage to the monitor.

figure 26



5. Complete steps 1 to 4 to add a **VESA monitor mount** to a second monitor.
6. Slide one of the **VESA monitor mounts** with the monitor attached over the end of one of the **monitor arms** (1) attached to the **upper pole** (4).
7. Slide the second **VESA monitor mount** and monitor over the end of the other **monitor arm** attached to the **upper pole**. (figure 27)

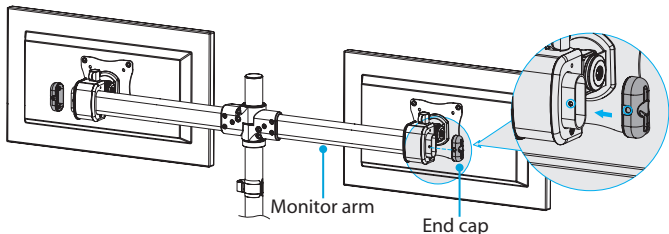
figure 27



8. Place an **end cap** (7) on the end of each of the **monitor arms** attached to the **upper pole**. (figure 28)

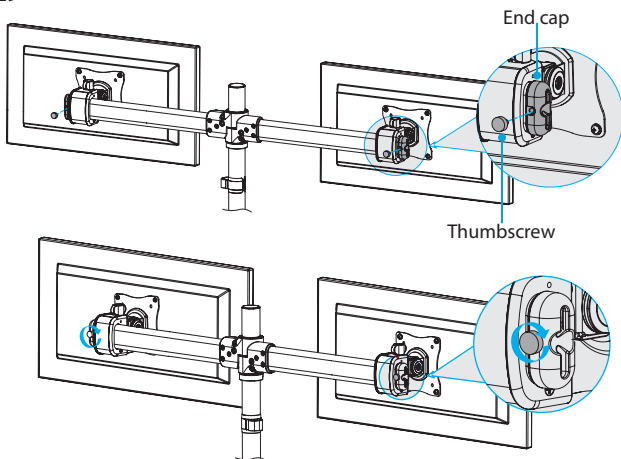
Note: Make sure that you line up the hole on the **end cap** with the corresponding hole on the end of the **monitor arms**.

figure 28



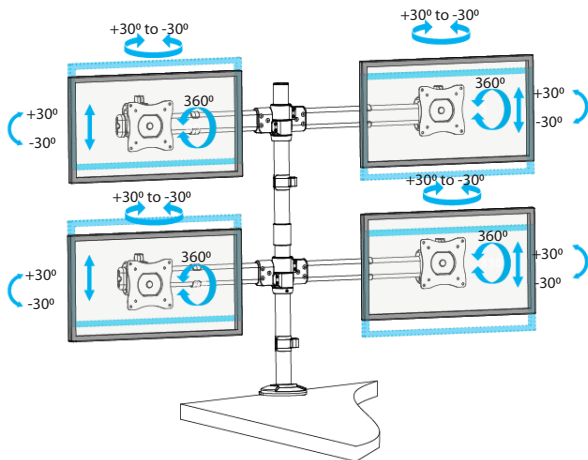
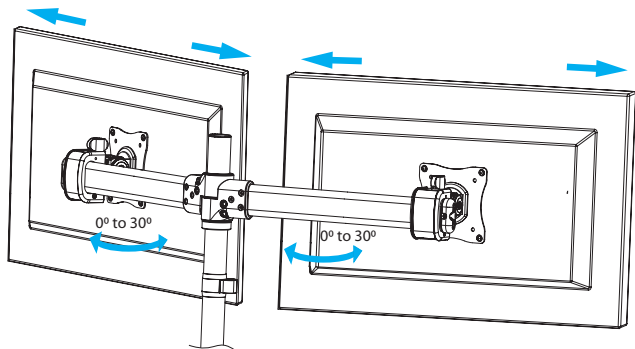
9. Insert a **thumbscrew (8)** through the hole in each of the **end caps** and into the **monitor arms**, and tighten the **thumbscrews** in place. (figure 29)

figure 29



Adjust the position of the monitors

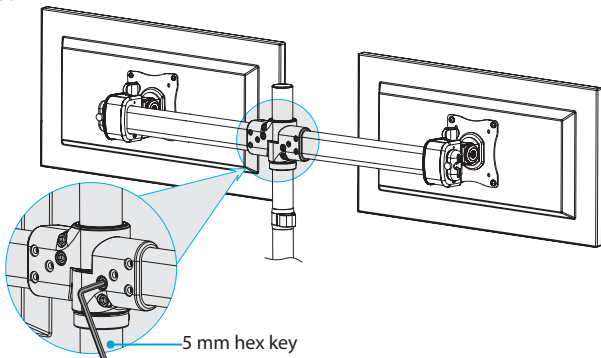
You can adjust the position and angle of your monitors in the following ways:



1. To position the monitors in the way that works best for your setup, do any of the following:

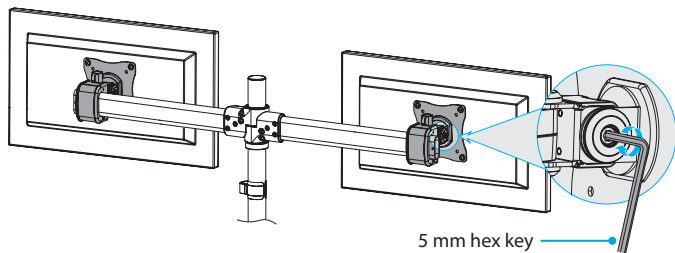
- To adjust the angle of the **monitor arms** (1), use the **5 mm hex key** (11) to loosen the two screws at each of the **monitor arm joints**. Position the monitors at the angles that you want them in, and use the **5 mm hex key** to tighten the screws and lock the monitors into position. (figure 30)

figure 30



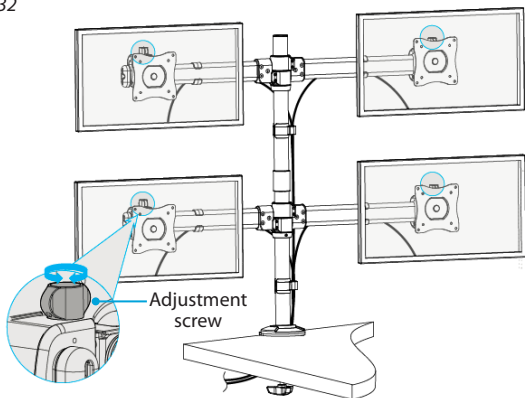
- To adjust the tilt angle of the monitors, use the **5 mm hex key** (11) to loosen the screw in the sides of the **VESA monitor mounts** (2). Position the monitors at the angles that you want them in, and use the **5 mm hex key** to tighten the screws and lock the monitors into position. (figure 31)

figure 31



- To raise or lower the monitors minutely, use the adjustment screws located on the top of the **VESA monitor mounts (2)**. (figure 32)

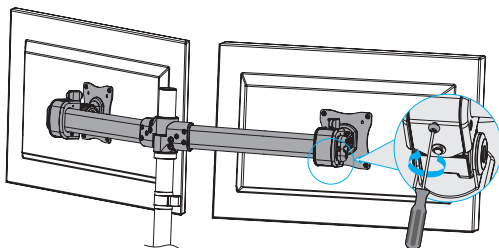
figure 32



- To move the monitors along the **monitor arms (1)**, use a Phillips screwdriver to loosen the screw located on the underside of each of the **VESA monitor mounts (2)**. Move the monitors left or right on the **monitor arms**, and tighten each of the screws when the monitors are in the locations that you want them in. (figure 33)

Warning! Make sure that you loosen the screw on the underside of the **VESA monitor mounts** before you move them along the **monitor arms**. If you move the **VESA monitor mounts** without loosening the screws, you might damage the surface of the **monitor arms**.

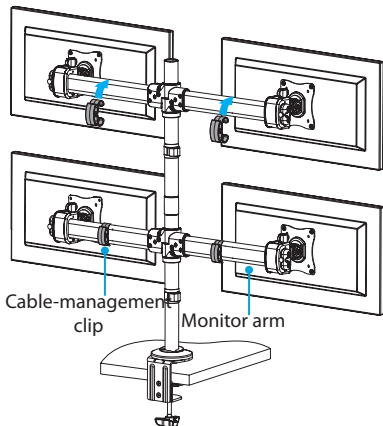
figure 33



Attach the cable-management clips

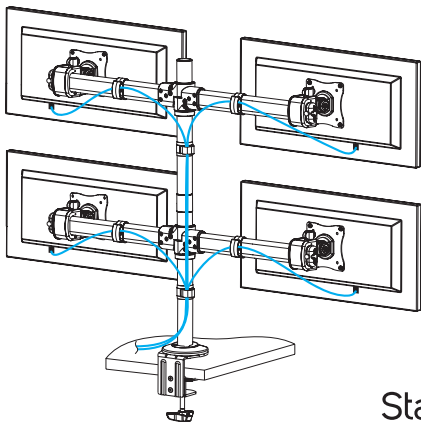
1. Snap one of the **cable-management clips (6)** over each of the four **monitor arms (1)**. (*figure 34*)

figure 34



2. Route the monitor cables through the **cable-management clips on the monitor arms** and through the **cable-management clips on the poles**. (*figure 35*)

figure 35



Technical support

StarTech.com's lifetime technical support is an integral part of our commitment to provide industry-leading solutions. If you ever need help with your product, visit www.startech.com/support and access our comprehensive selection of online tools, documentation, and downloads.

For the latest drivers/software, please visit www.startech.com/downloads

Warranty information

This product is backed by a two-year warranty.

StarTech.com warrants its products against defects in materials and workmanship for the periods noted, following the initial date of purchase. During this period, the products may be returned for repair, or replacement with equivalent products at our discretion. The warranty covers parts and labor costs only. StarTech.com does not warrant its products from defects or damages arising from misuse, abuse, alteration, or normal wear and tear.

Limitation of Liability

In no event shall the liability of StarTech.com Ltd. and StarTech.com USA LLP (or their officers, directors, employees or agents) for any damages (whether direct or indirect, special, punitive, incidental, consequential, or otherwise), loss of profits, loss of business, or any pecuniary loss, arising out of or related to the use of the product exceed the actual price paid for the product. Some states do not allow the exclusion or limitation of incidental or consequential damages. If such laws apply, the limitations or exclusions contained in this statement may not apply to you.

Hard-to-find made easy. At StarTech.com, that isn't a slogan. It's a promise.

StarTech.com is your one-stop source for every connectivity part you need. From the latest technology to legacy products — and all the parts that bridge the old and new — we can help you find the parts that connect your solutions.

We make it easy to locate the parts, and we quickly deliver them wherever they need to go. Just talk to one of our tech advisors or visit our website. You'll be connected to the products you need in no time.

Visit www.startech.com for complete information on all StarTech.com products and to access exclusive resources and time-saving tools.

StarTech.com is an ISO 9001 Registered manufacturer of connectivity and technology parts. StarTech.com was founded in 1985 and has operations in the United States, Canada, the United Kingdom and Taiwan servicing a worldwide market.