

**Catalog Number(s):** For use with EFB6 & EFB8 Series: EFB-B, EFB-MAAP, EFB-AAP, EFB-MOS

For use with EFB10 Series: EFB10-B, EFB10-DEC, EFB10-DP, EFB10-S1, EFB10-S2,  
EFB10-MAAP, EFB10-6AB, EFB10-3S2, EFB10-MOS, EFB10-AAP, EFB10-2C & 5507 Series Device Plates

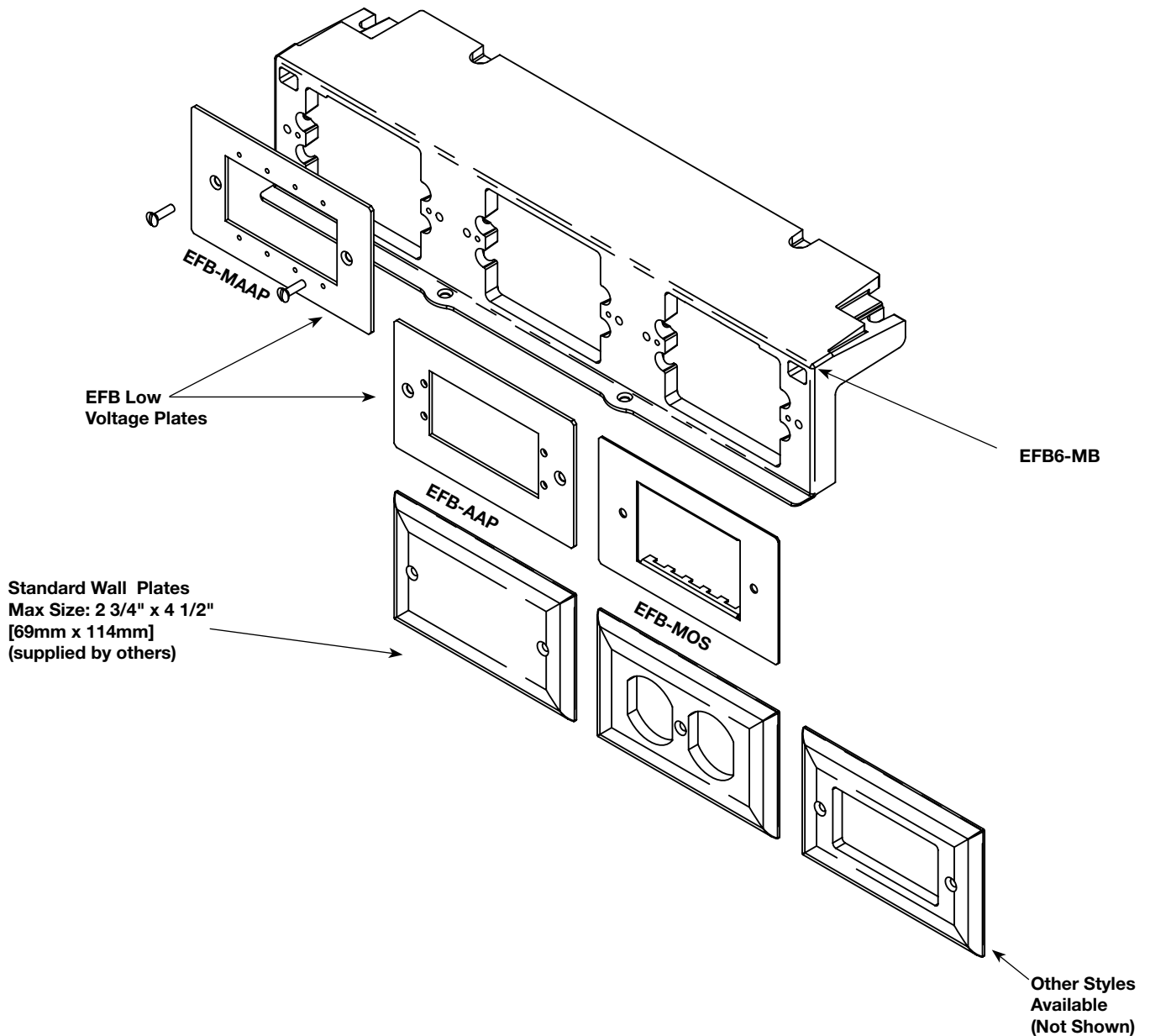
Country of Origin: Made in U.S.

• **READ ALL INSTRUCTIONS BEFORE BEGINNING**

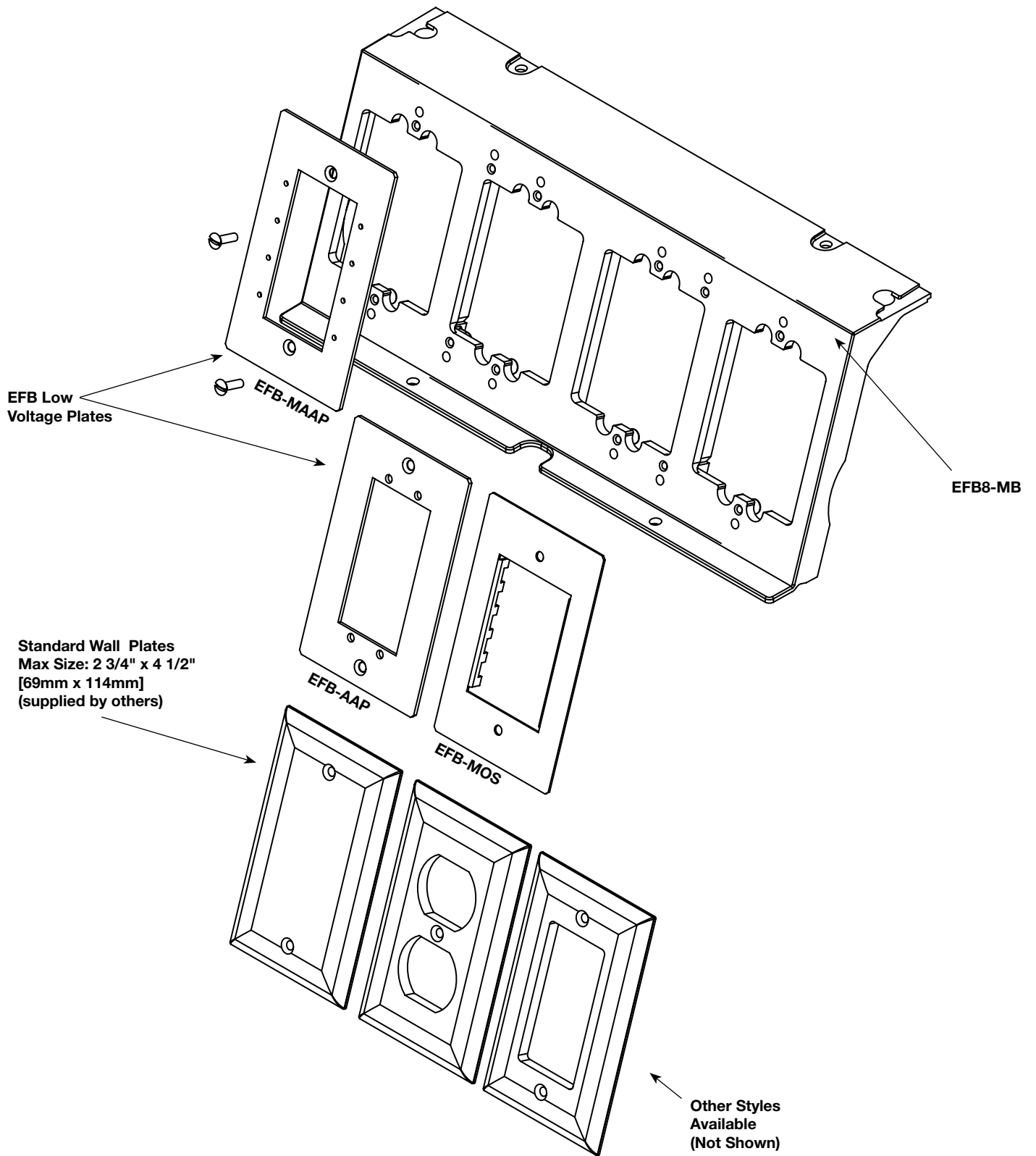
Legrand/Wiremold electrical systems conform to and should be properly grounded in compliance with requirements of the current National Electrical Code or codes administered by local authorities.

All electrical products may present a possible shock or fire hazard if improperly installed or used. Legrand/Wiremold electrical products may bear the mark of a Nationally Recognized Testing Laboratory and should be installed in conformance with current local and/or the National Electrical Code.

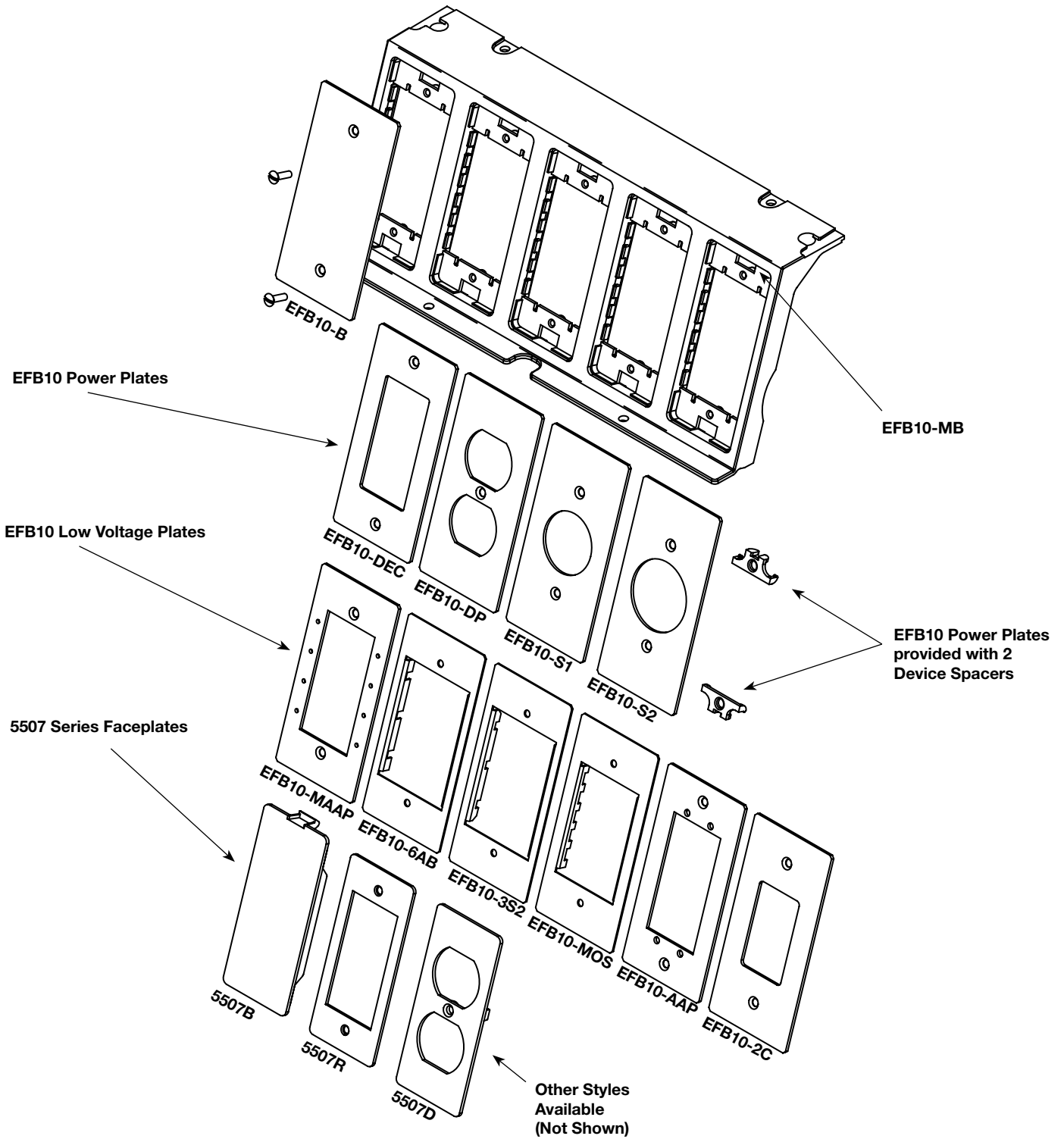
**EFB6 FACE PLATE OPTIONS:**



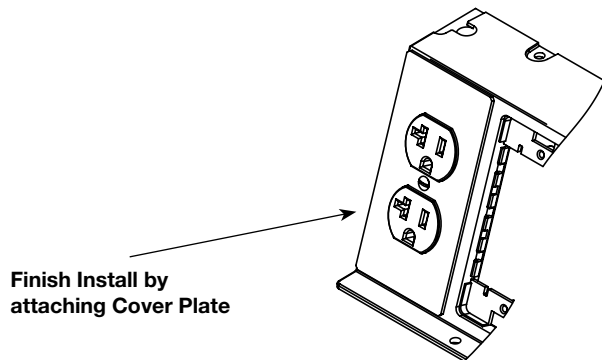
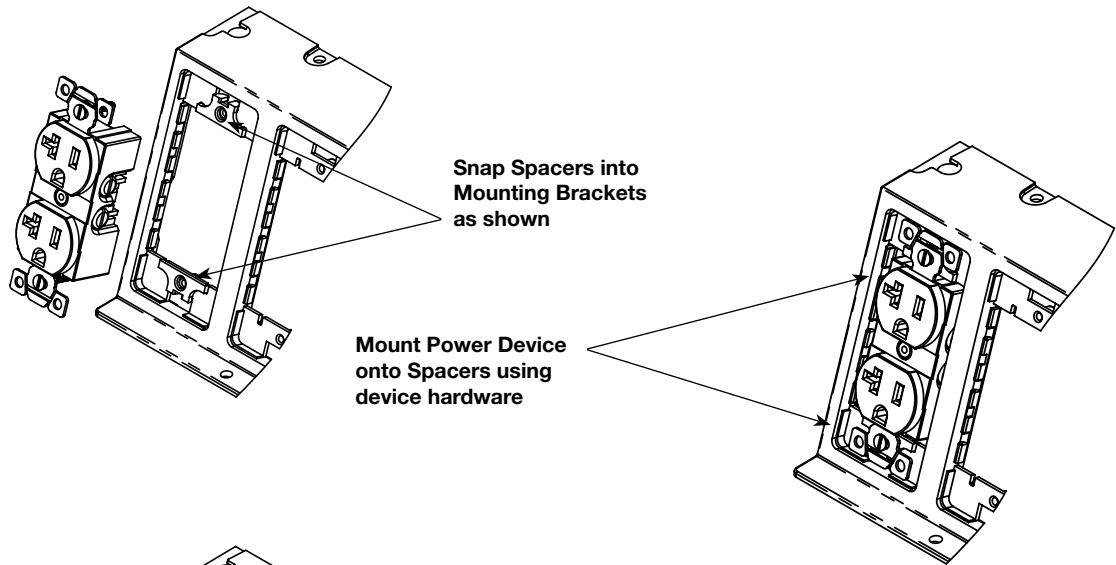
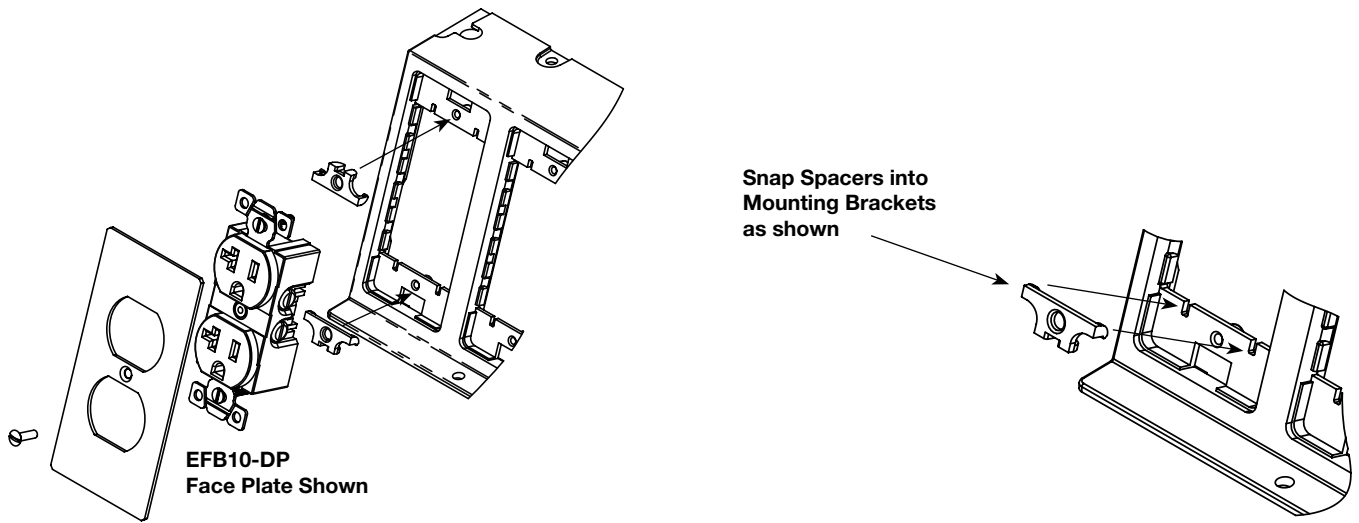
**EFB8 FACE PLATE OPTIONS:**



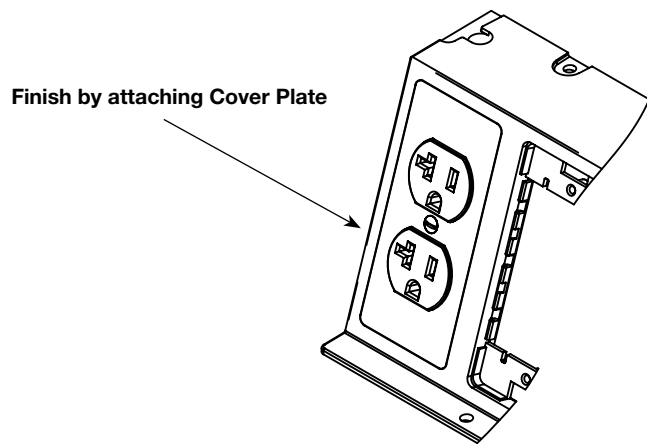
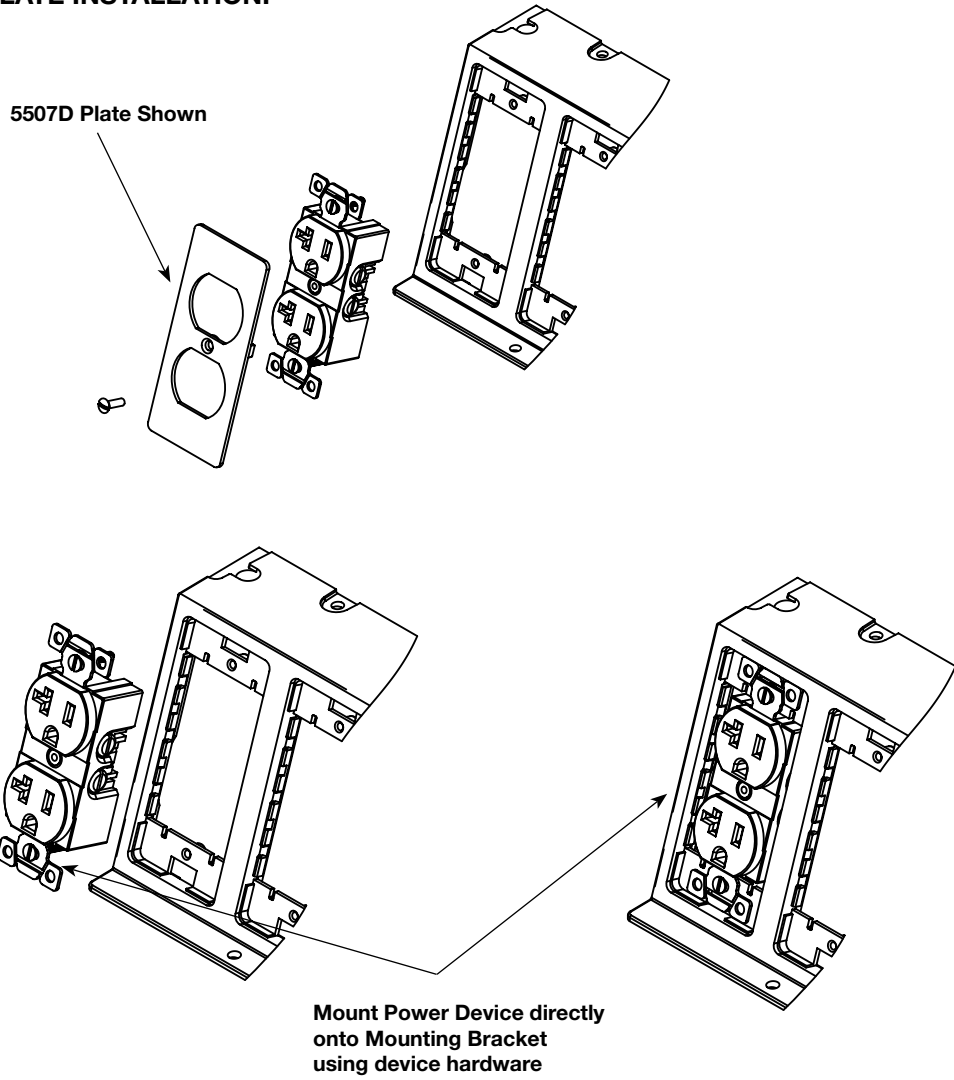
**EFB10 FACE PLATE OPTIONS:**



**EFB10 SERIES POWER PLATE INSTALLATION:**



**5507 SERIES FACEPLATE INSTALLATION:**







Installation Instructions • Instrucciones de Instalación • Notice d'Installation No:  
**1 011 008 0612**

60 Woodlawn Street  
West Hartford, CT 06110  
1.877.BY.LEGRAND (295.3472)  
[www.legrand.us](http://www.legrand.us)

570 Applewood Crescent  
Vaughan, ONT L4K 4B4  
905.738.919 5  
[www.legrand.ca](http://www.legrand.ca)

 **legrand**<sup>®</sup>

**Wiremold**  
60 Woodlawn Street  
West Hartford, CT 06110  
1.800.621.0049

