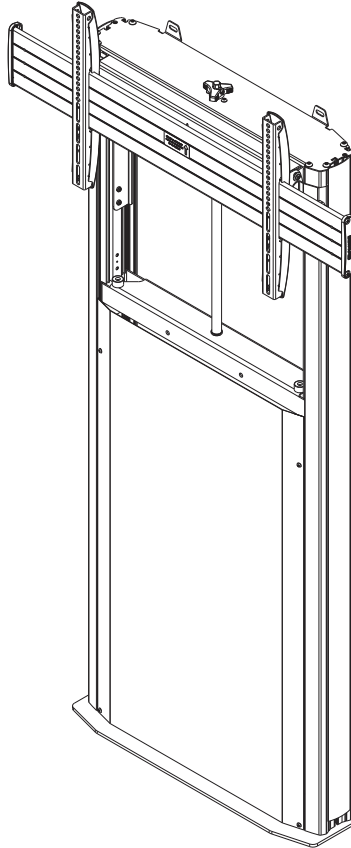

INSTALLATION INSTRUCTIONS



Height Adjustable Floor to Wall Stand

DISCLAIMER

Milestone AV Technologies and its affiliated corporations and subsidiaries (collectively "Milestone"), intend to make this manual accurate and complete. However, Milestone makes no claim that the information contained herein covers all details, conditions or variations, nor does it provide for every possible contingency in connection with the installation or use of this product. The information contained in this document is subject to change without notice or obligation of any kind. Milestone makes no representation of warranty, expressed or implied, regarding the information contained herein. Milestone assumes no responsibility for accuracy, completeness or sufficiency of the information contained in this document.

Chief® is a registered trademark of Milestone AV Technologies. All rights reserved.

DEFINITIONS

MOUNTING SYSTEM: A MOUNTING SYSTEM is the primary Chief product to which an accessory and/or component is attached.

ACCESSORY: AN ACCESSORY is the secondary Chief product which is attached to a primary Chief product, and may have a component attached or setting on it.

COMPONENT: A COMPONENT is an audiovisual item designed to be attached or resting on an accessory or mounting system such as a video camera, CPU, screen, display, projector, etc.



WARNING: A WARNING alerts you to the possibility of serious injury or death if you do not follow the instructions.



CAUTION: A CAUTION alerts you to the possibility of damage or destruction of equipment if you do not follow the corresponding instructions.



IMPORTANT SAFETY INSTRUCTIONS



WARNING: Failure to read, thoroughly understand, and follow all instructions can result in serious personal injury, damage to equipment, or voiding of factory warranty! It is the installer's responsibility to make sure all mounting systems/accessories are properly assembled and installed using the instructions provided.



WARNING: Failure to provide adequate structural strength for this mounting system can result in serious personal injury or damage to equipment! It is the installer's responsibility to make sure the structure to which this mounting system is attached can support five times the combined weight of all equipment. Reinforce the structure as required before installing the mounting system.



WARNING: Use this mounting system only for its intended use as described in these instructions. Do not use attachments not recommended by the manufacturer.



WARNING: Do not use this product outdoors.



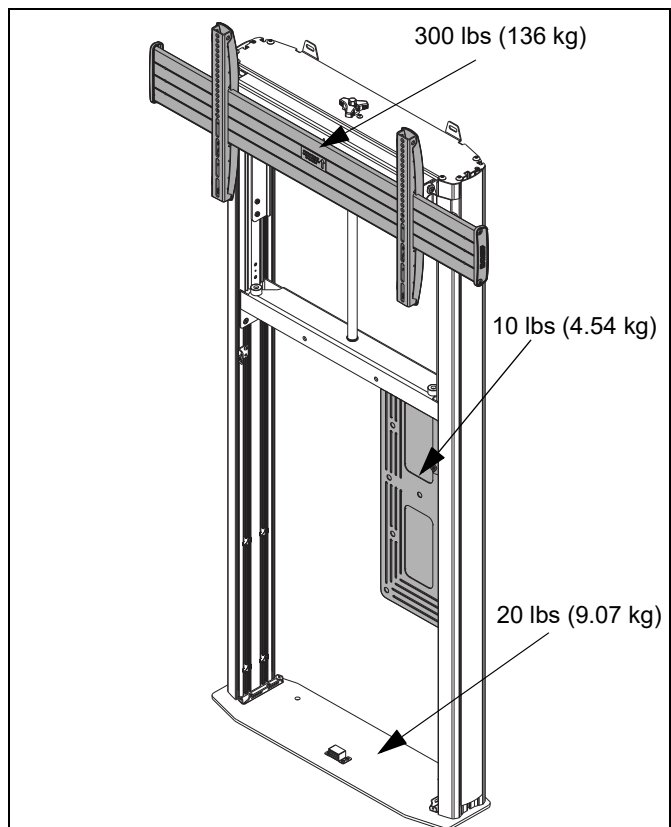
WARNING: Never operate this mounting system if it is damaged. Return the mounting system to a service center for examination and repair.



WARNING: Exceeding the weight capacity can result in serious personal injury or damage to equipment! It is the installer's responsibility to make sure the combined weight of all accessories and components attached to the XFA1U head assembly up to (and including) the display does not exceed 300 lbs (136 kg).



WARNING: Exceeding the weight capacity can result in serious personal injury or damage to equipment! It is the installer's responsibility to make sure the combined weight of all accessories and components installed to the component bracket (C) does not exceed 10 lbs (4.54 kg). The combined weight of all accessories and components installed to the lower bracket (CPU's, etc.) cannot exceed 20 lbs (9.07 kg). Exceeding the weight capacity may result in damage to the equipment or components! See Figure below for reference.



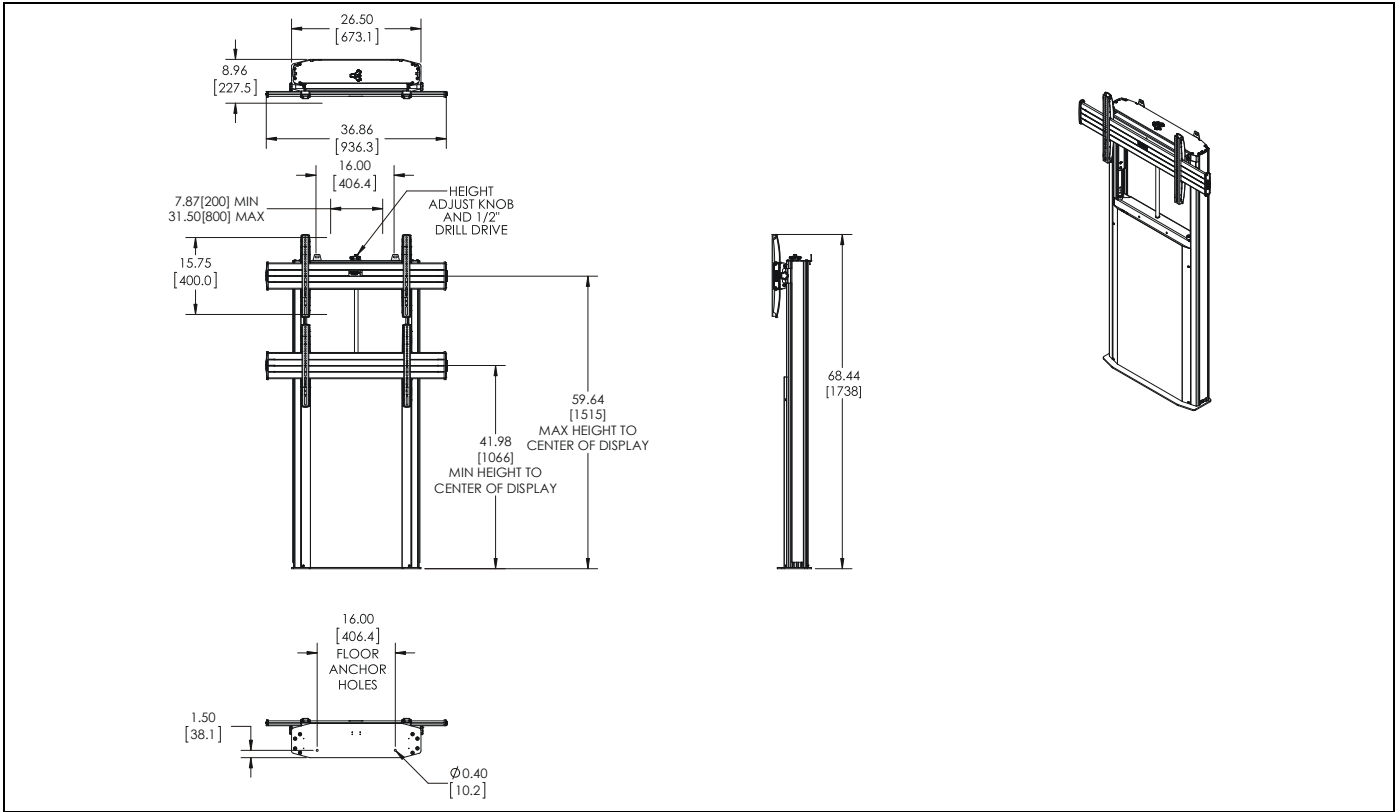
NOTE: The XFA1U stand has no user serviceable parts.

NOTE: The XFA1U stand can support screen sizes up to a maximum of 100" wide.

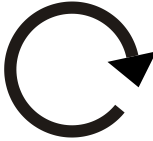

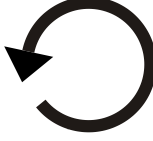









NOTE: The XFA1U stand may be used with the UL Listed FCA624 Dual Monitor Extension Accessory.

--SAVE THESE INSTRUCTIONS--

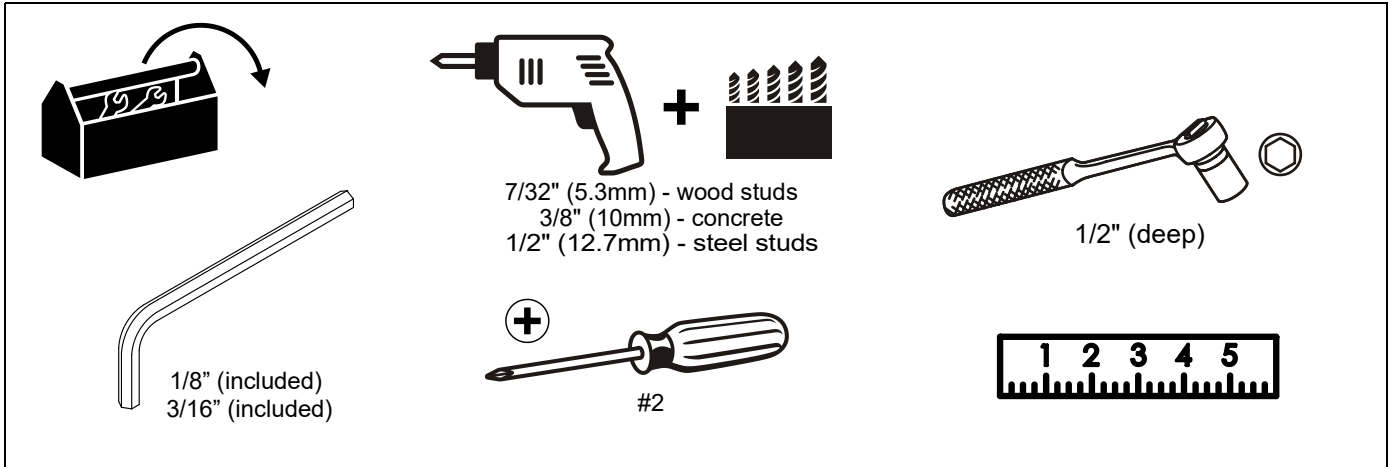
DIMENSIONS



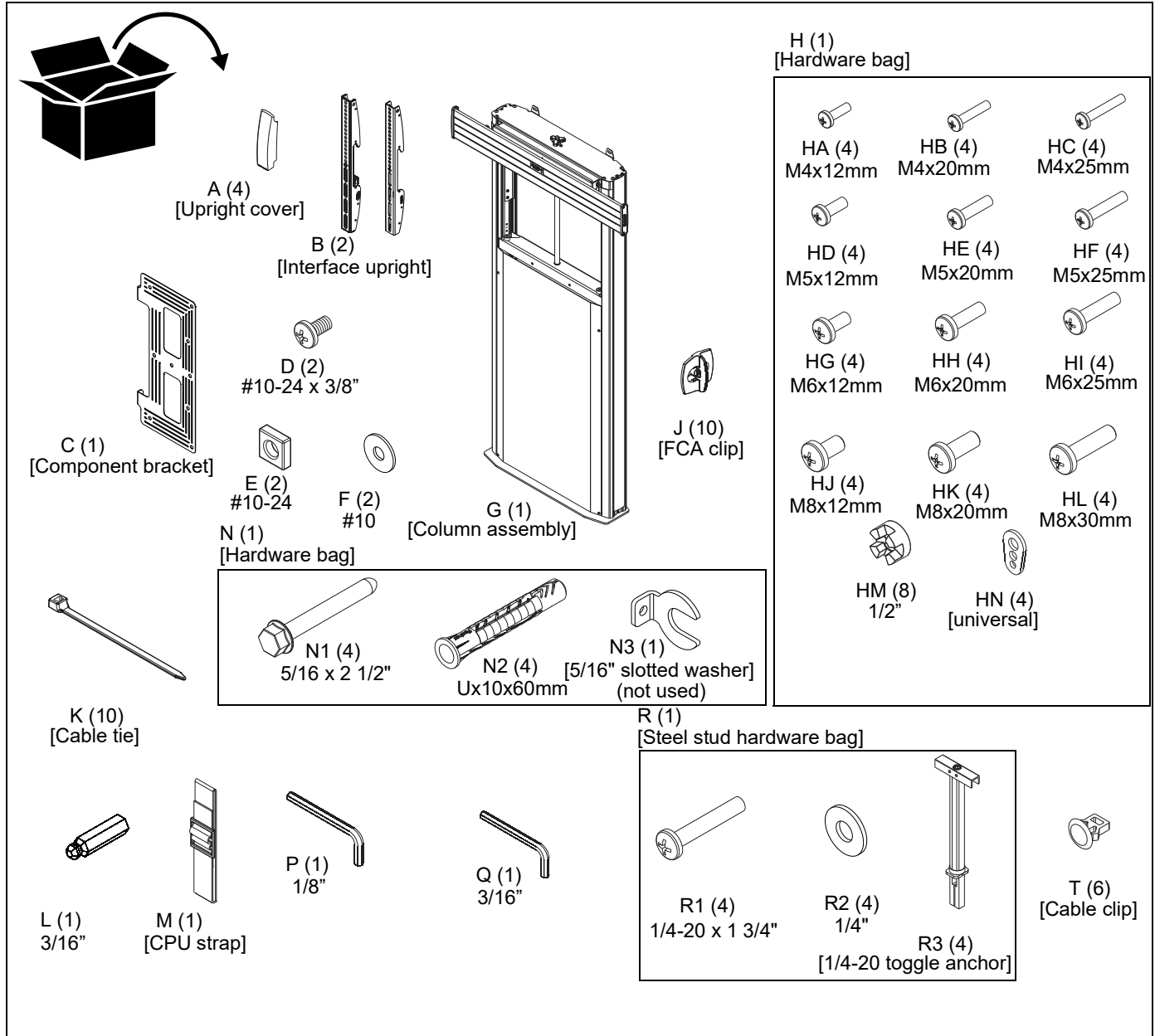
LEGEND

	Tighten Fastener Apretar elemento de fijación Befestigungsteil festziehen Apertar fixador Serrare il fissaggio Bevestiging vastdraaien Serrez les fixations		Pencil Mark Marcar con lápiz Stiftmarkierung Marcar com lápis Segno a matita Potloodmerkteken Marquage au crayon
	Loosen Fastener Aflojar elemento de fijación Befestigungsteil lösen Desapertar fixador Allentare il fissaggio Bevestiging losdraaien Desserrez les fixations		Drill Hole Perforar Bohrloch Fazer furo Praticare un foro Gat boren Percez un trou
	Phillips Screwdriver Destornillador Phillips Kreuzschlitzschraubendreher Chave de fendas Phillips Cacciavite a stella Kruiskopschroevendraaier Tournevis à pointe cruciforme		Adjust Ajustar Einstellen Ajustar Regolare Afstellen Ajuster
	Open-Ended Wrench Llave de boca Gabelschlüssel Chave de bocas Chiave a punte aperte Steeksleutel Clé à fourche		Remove Quitar Entfernen Remover Rimuovere Verwijderen Retirez
	By Hand A mano Von Hand Com a mão A mano Met de hand À la main		Optional Opcional Optional Opcional Opzionale Optie En option
	Hex-Head Wrench Llave de cabeza hexagonal Sechskantschlüssel Chave de cabeça sextavada Chiave esagonale Zeskantsleutel Clé à tête hexagonale		Security Wrench Llave de seguridad Sicherheitsschlüssel Chave de segurança Chiave di sicurezza Veiligheidssleutel Clé de sécurité

TOOLS REQUIRED FOR INSTALLATION



PARTS



Assembly And Installation

The XFA1U is designed to be mounted to:

- a bare concrete wall with a minimum thickness of 8" (203mm);
- a bare 8" x 8" x 16" (203mm x 203mm x 406mm) concrete block wall; or
- wood studs spaced 16" on center with a maximum drywall covering of 5/8".
- a 2" x 4"-25ga minimum steel stud wall.

Attachment to Wall and Floor

IMPORTANT ! : The XFA1U does NOT need to be attached to the floor as well as the wall, but it MUST be attached to the wall. Do NOT only attach it to the floor without also securing it to the wall!

Installing to Wood Stud Wall

1. Use a stud-finder to locate 16" studs.
2. Place column assembly against wall making sure to line up attachment brackets with studs. (See Figure 1)
3. Mark hole locations at each mounting location. (See Figure 1)
4. Drill two 7/32" holes at marked hole locations. (See Figure 1)
5. If also attaching to floor, proceed ahead to "Attaching to Floor" Section and attach to floor before securing to the wall.

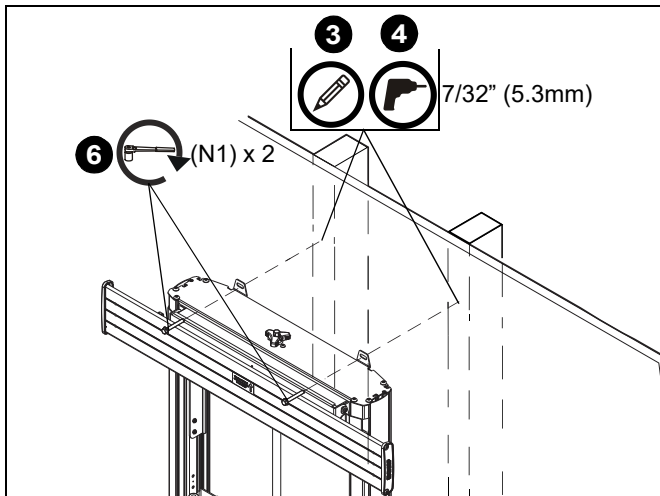


Figure 1

6. Install two 5/16 x 2 1/2" hex head cap screws (N1) through holes on attachment brackets and into drilled holes on wall. (See Figure 1)

Installing to a Concrete Wall

1. Place column assembly against wall at desired mounting location. (See Figure 2)
2. Mark hole locations at each mounting location. (See Figure 2)
3. Drill two 3/8" holes at marked hole locations. (See Figure 2)
4. Install an anchor (N2) into each pilot hole using a hammer, making sure that the anchor is flush with the wall. (See Figure 2)
5. If also attaching to floor, proceed ahead to "Attaching to Floor" Section and attach to floor before securing to the wall.

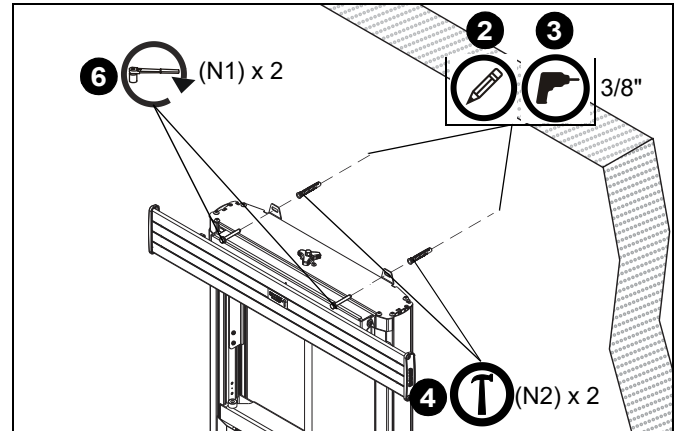


Figure 2

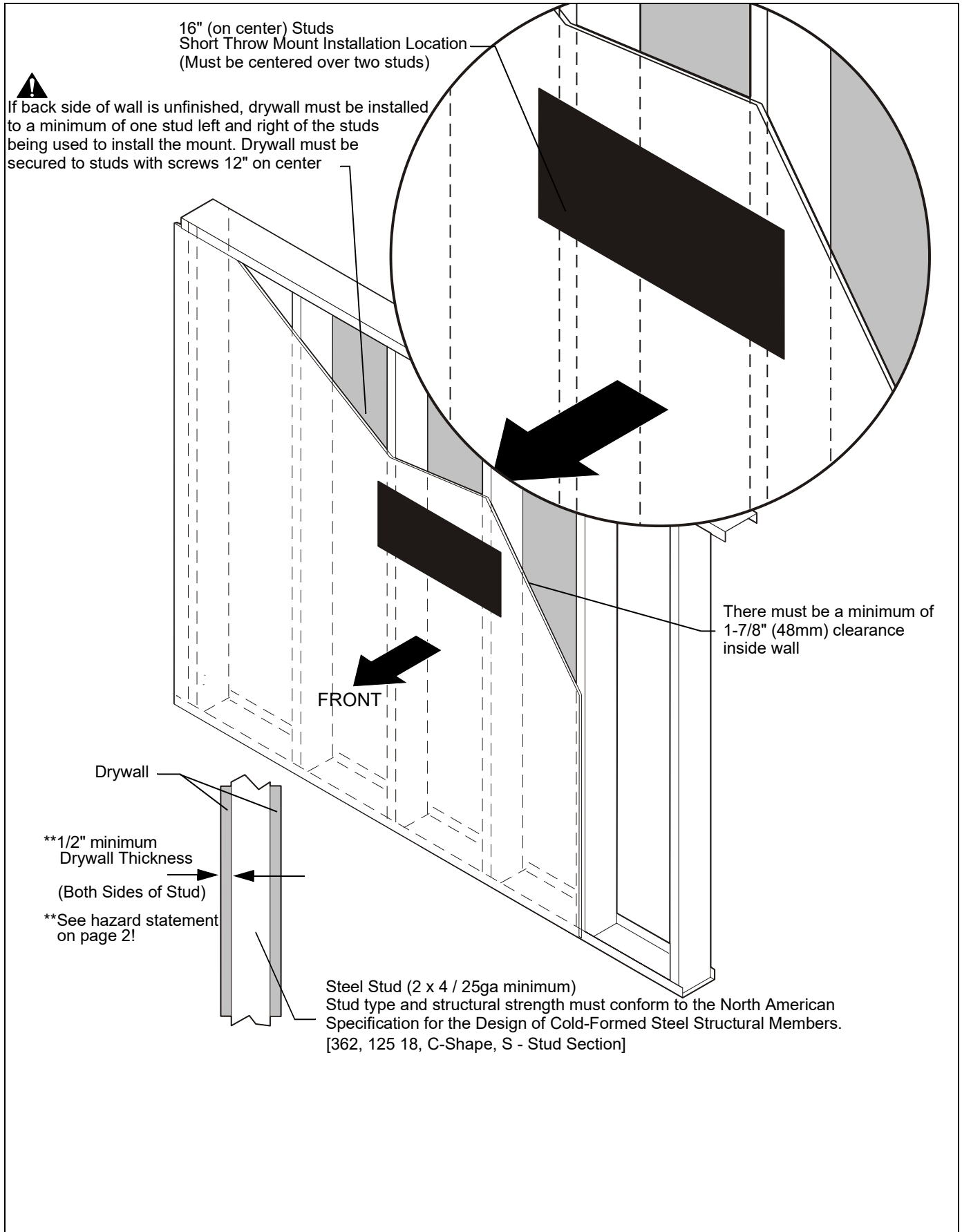
6. Install two 5/16 x 2 1/2" hex head cap screws (N1) through holes on attachment brackets and into anchors (N2) on wall. (See Figure 2)

Installing to Steel Studs



WARNING: USING THIS PRODUCT INCORRECTLY MAY RESULT IN SERIOUS PERSONAL INJURY OR DAMAGE TO EQUIPMENT! Do NOT fasten the XFA1U into only drywall!

Site Requirements



1. Drill a 1/2" hole at the desired mounting locations.
2. Hold metal channel on anchor (R3) flat alongside plastic straps and slide channel through hole. (See Figure 3)

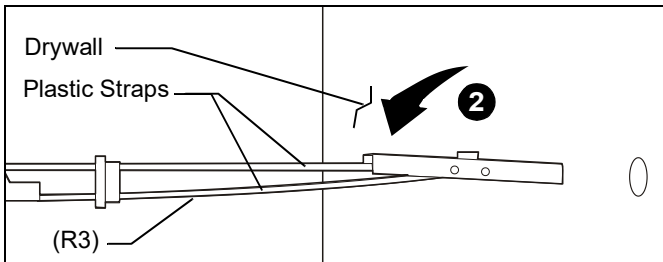


Figure 3

3. Holding plastic straps on anchor (R3), pull anchor away from wall until channel rests flush behind wall making sure anchor channel is positioned vertically on stud. (See Figure 4)
4. Slide plastic cap on anchor (R3) towards wall until flange of cap is flush with wall. (See Figure 4)

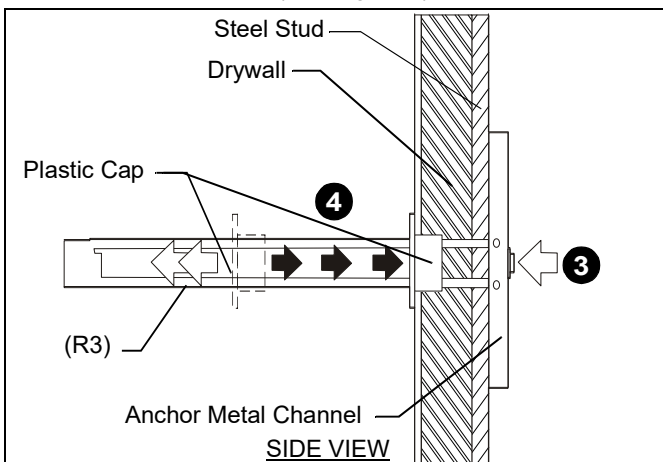


Figure 4

5. Snap off plastic straps on anchor at wall by pushing side to side, snapping off straps level with flange of plastic cap. (See Figure 5)
6. Repeat Steps 1 through 5 for the other mounting hole.

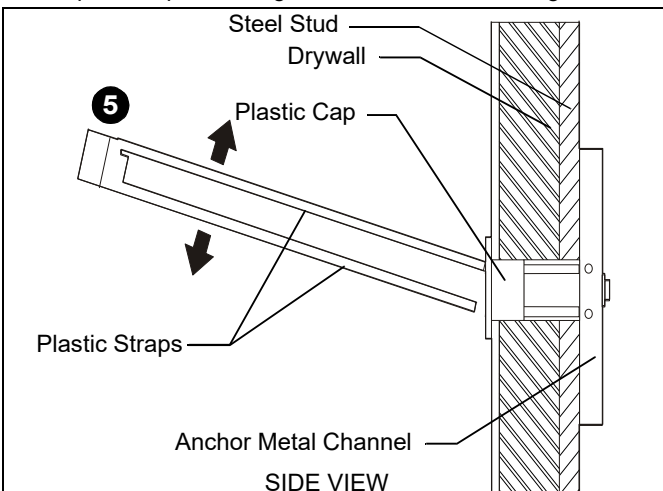


Figure 5

7. Place mount over anchors and align mounting holes on mount with holes in anchors. (See Figure 6)

8. If also attaching to floor, proceed ahead to "Attaching to Floor" Section and attach to floor before securing to the wall.



WARNING: IMPROPER INSTALLATION CAN LEAD TO EQUIPMENT FALLING CAUSING SERIOUS PERSONAL INJURY OR DAMAGE TO EQUIPMENT! Overtightening of mounting hardware can damage the steel studs. DO NOT overtighten mounting hardware!

9. Insert two 1/4-20 x 1-3/4" Phillips pan head screws (R1) through two 1/4" washers (R2), corresponding mounting holes on mount and into anchors (R3) and tighten until flush against mount. DO NOT overtighten! (See Figure 6)

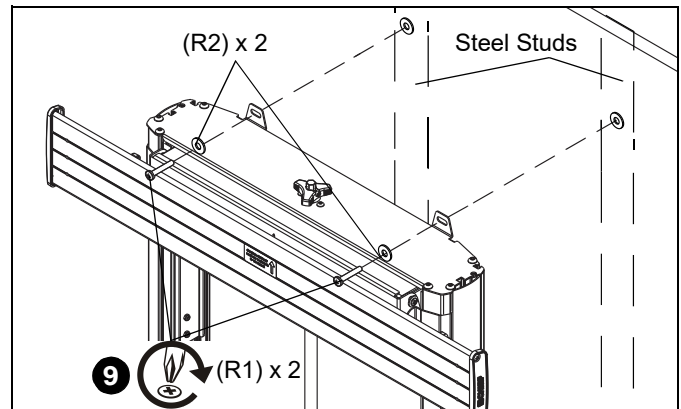


Figure 6

Attaching to Floor (Optional)

IMPORTANT ! : Do NOT install to the floor before making sure the holes to attach to the wall have been drilled in the proper locations.

1. Remove lower cover to expose floor holes. Refer to Cover Removal Section for details. (See Figure 17)
2. Mark hole locations at each floor mounting location. (See Figure 7)
3. Drill two 7/32" holes if installing to wood floor or 3/8" holes if installing to a concrete floor. (See Figure 7)
4. If installing to concrete floor only, use a hammer to install anchors (N2) to two holes drilled in floor. (See Figure 7)
5. Install two 5/16 x 2 1/2" hex head cap screws (N1) through floor holes and into drilled holes in floor or anchors. (See Figure 7)

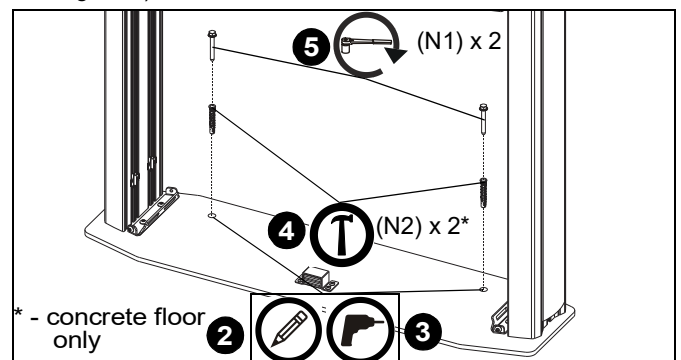


Figure 7

6. Reinstall lower cover. Refer to Cover Removal Section for details. (See Figure 18)

Display Installation



WARNING: Exceeding the weight capacity can result in serious personal injury or damage to equipment! It is the installer's responsibility to make sure the combined weight of all accessories and components attached to the XFA1U head assembly up to (and including) the display does not exceed 300 lbs (136 kg).

1. Lay display face down on protective surface.



CAUTION: Using screws of improper diameter may damage your display! Proper screws will easily thread into display mounting holes.

2. Select screw *diameter* by examining hardware (HA-HL) (4mm, 5mm, 6mm or 8mm) and comparing with mounting holes on display. (See Figure 9)
3. Select spacers: (See Figure 9)
 - If mounting holes are not recessed and both uprights (B) can lay flat against display, then no spacers are required.
 - If mounting holes are recessed, or if protrusions prevent uprights (B) from laying flat, then nesting spacers (HM) must be used.



CAUTION: Using screws of improper length may damage your display! Proper screws will have adequate thread engagement without contacting bottom of display mounting holes.

4. Select screw *length*: (See Figure 9)
 - Using your hand, insert **SHORTEST** length screw of selected diameter (HA, HD, HG or HJ) through universal washer (HN), uprights (B), selected spacer (HL or HM), into display mounting hole.

Do NOT thread screw into hole at this time.

NOTE: Universal washers (HN) are not needed if using M8 button head cap screws (HI, HJ or HK).

- Proper screw length requires base of screw head to protrude above flat washer a *distance equal to or greater than the screw diameter*. If screw length is inadequate, select longer screw. Select *shortest* screw which will protrude the required distance.
5. Place uprights (B) on display, ensuring: (See Figure 9)
 - Center of uprights (B) are as close to the center of the back of display as possible after being installed. Center of bracket is indicated by the diamond-shaped hole.
 6. Use selected screws and spacers to install two interface uprights (B) to back of display. (See Figure 9)

IMPORTANT ! : The M8 screws do **NOT** require a washer. Use the universal washer (HN) only with M4, M5 and M6 screws.

NOTE: The nesting spacers (HM) may be used separately, or put two together in different configurations to create different size spacers. (See Figure 8)

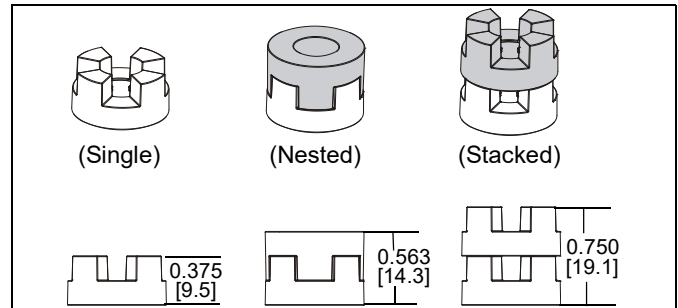


Figure 8

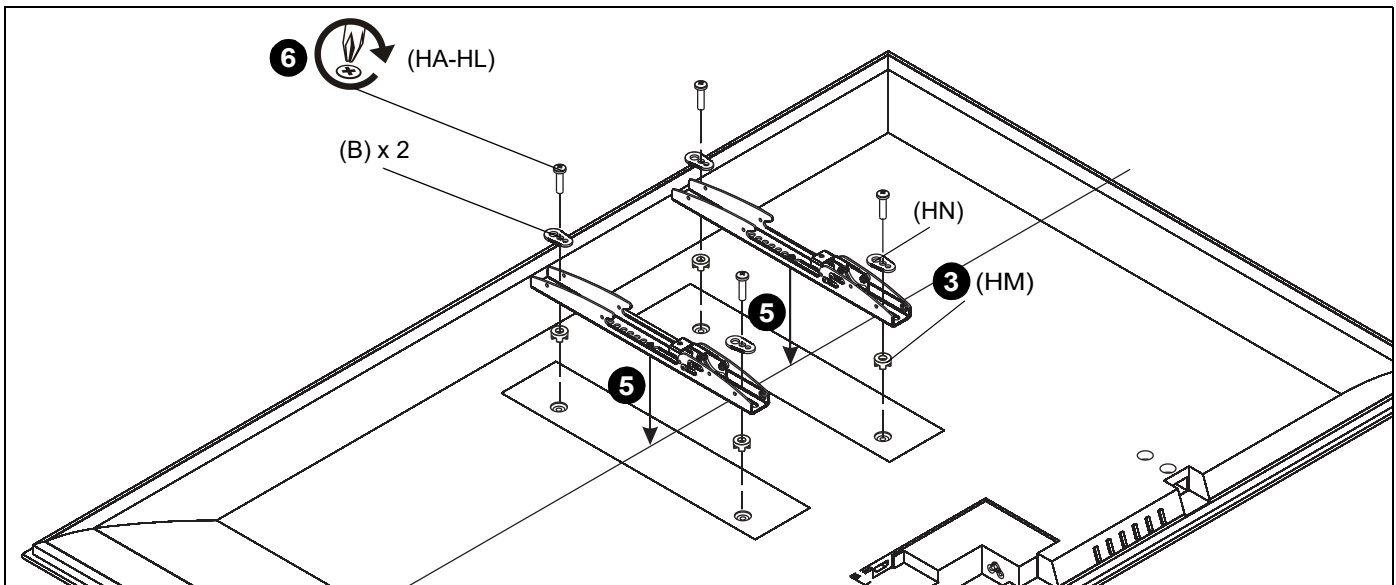


Figure 9

⚠ WARNING: Display may be very heavy! Ensure display may be safely lifted and maneuvered as required to install on mount. Failure to take adequate precautions can result in serious personal injury or damage to equipment!

7. Position latches on interface uprights so that they are in the "open" position. (See Figure 10)
8. Hang interface uprights (B) on head assembly. (See Figure 10)

IMPORTANT ! : To ensure a stable mount, make sure stability knobs are tightened prior to installing display.

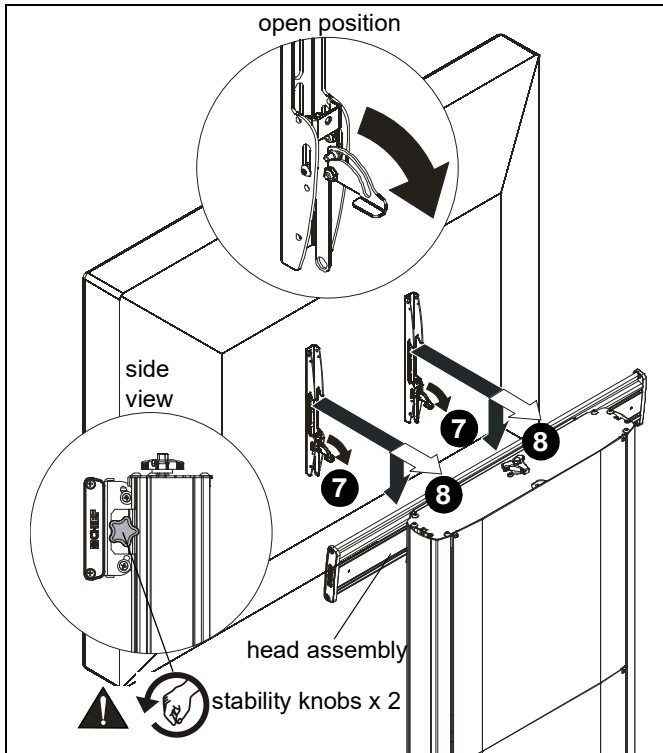


Figure 10

IMPORTANT ! : In order to ensure an even mount, install uprights to be centered over column assembly. Do NOT install both uprights to the same side of column assembly! (See Figure 11)

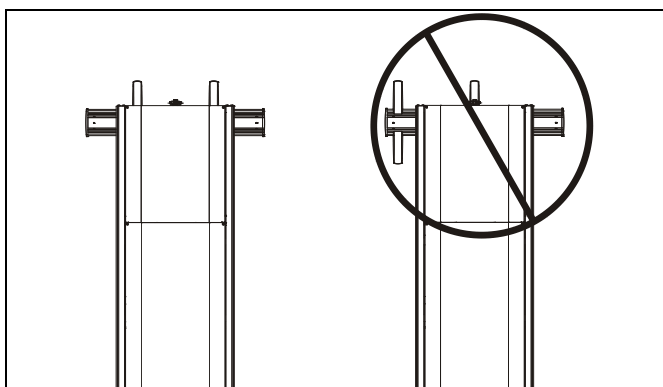


Figure 11

9. Move latches on interface uprights to the "closed" position to secure display to head assembly. (See Figure 12)

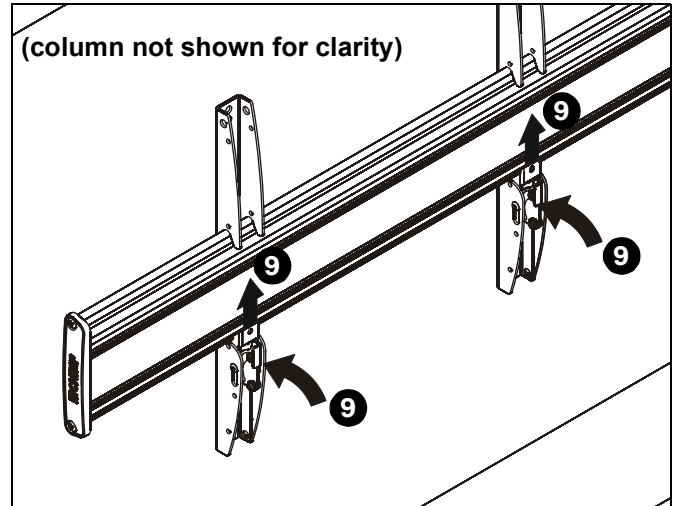


Figure 12

10. Snap four upright covers (A) onto uprights. (See Figure 13)
- NOTE:** Tabs on inside of covers (A) will snap directly into holes on uprights to ensure a secure connection.

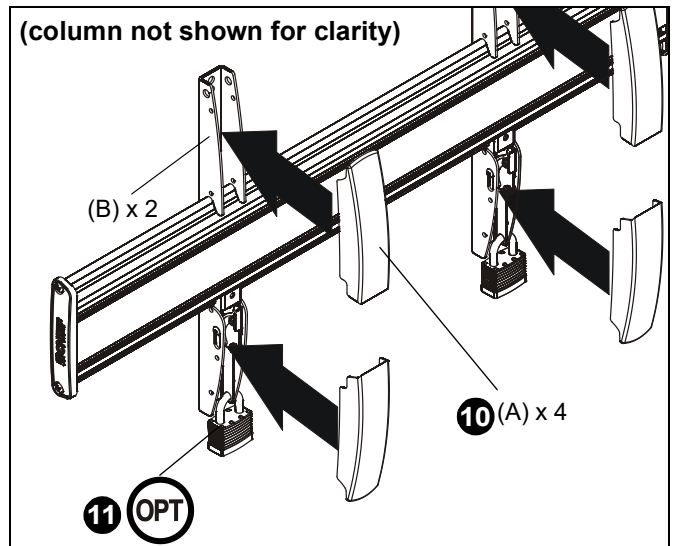


Figure 13

11. (Optional) Use padlocks (not provided) to secure uprights to head assembly. (See Figure 13)

Component Bracket Installation (Optional)

NOTE: Component bracket may be installed to either side of column.

NOTE: Lower cover must be removed to install component bracket. See Cover Removal section for details.

1. Loosely install two #10-24 x 3/8" Phillips head machine screws (D) through two #10 washers (F), holes in component bracket (C) and into two #10-24 square nuts (E). (See Figure 14)
2. Insert two #10-24 square nuts (E) into two openings on column channel. (See Figure 14)
3. Lift component bracket (C) to desired mounting position. (See Figure 14)
4. Tighten screws to a torque force of 10 ft-lbs. (See Figure 14)

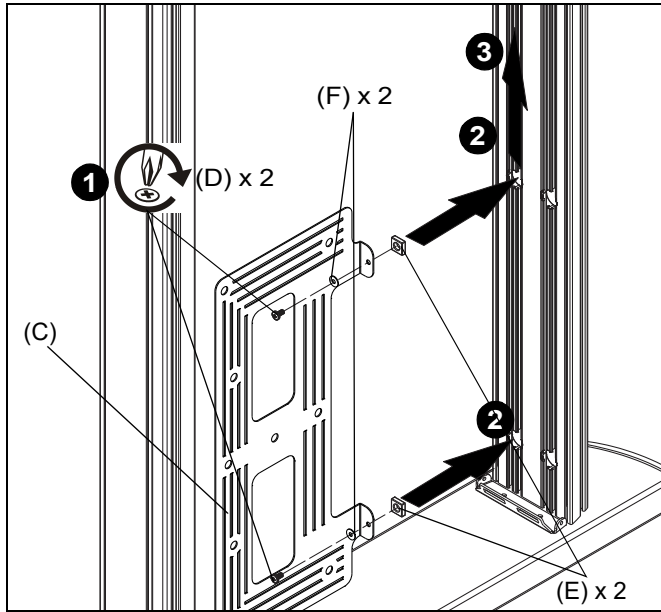


Figure 14



WARNING: Exceeding the weight capacity can result in serious personal injury or damage to equipment! It is the installer's responsibility to make sure the combined weight of all accessories and components installed to the component bracket (C) does not exceed 10 lbs (4.54 kg). Exceeding the weight capacity may result in damage to the equipment or components!

IMPORTANT ! : Do NOT attach component bracket too high on column or above height adjustment mechanism or it could interfere with the height adjustment mechanism. See Height Adjustment Section for details.

5. Install components to component bracket as desired using cable ties (K), cable clips (T) or screws. (See Figure 15)

NOTE: Component bracket is designed to mount small audio/video components such as power strips, media players, etc.

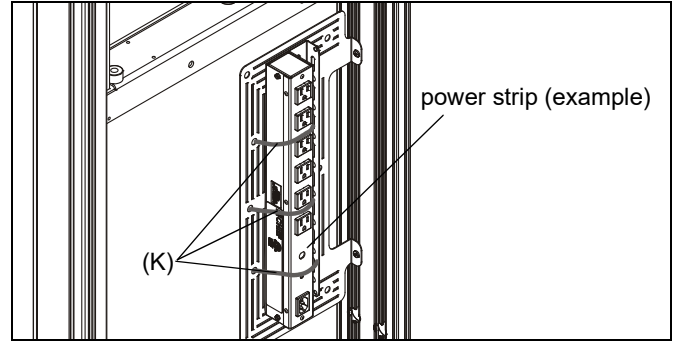


Figure 15

CPU Installation (Optional)

NOTE: Lower cover must be removed to install component bracket. See Cover Removal section for details.

1. Route CPU strap (M) through hole on lower bracket and around CPU to secure CPU to column base. (See Figure 16)



WARNING: Exceeding the weight capacity can result in serious personal injury or damage to equipment! It is the installer's responsibility to make sure the combined weight of all accessories and components installed to the lower bracket does not exceed 20 lbs (9.07 kg). Exceeding the weight capacity may result in damage to the equipment or components!

NOTE: CPU strap is designed for use with larger non-rack mountable CPU's or audio/video components.

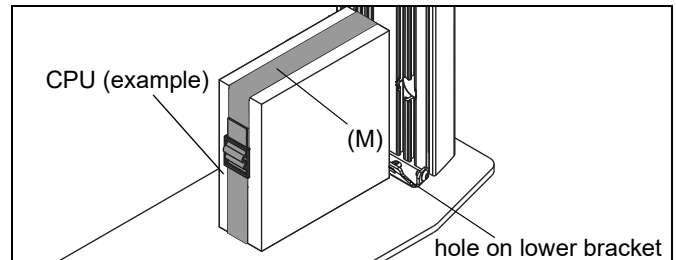


Figure 16

Cover Removal/Access/Re-install

NOTE: The front cover comes with four button head cap screws installed to provide additional security. But to have quick access to the interior of the mount, these screws do NOT need to be re-installed as the door can be closed using the magnets inside the door.

1. Remove four button head cap screws holding front cover to mount. (See Figure 17)
2. Pull front cover away from mount. (See Figure 17)

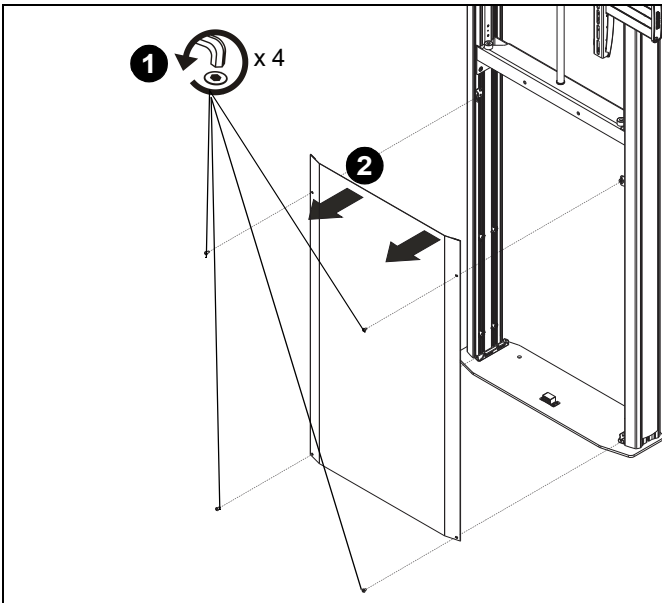


Figure 17

3. Install accessories and components as desired.
4. Install front cover back on mount using magnets. (See Figure 18)
5. (Optional) Re-install four button head cap screws if additional security is desired. (See Figure 18)

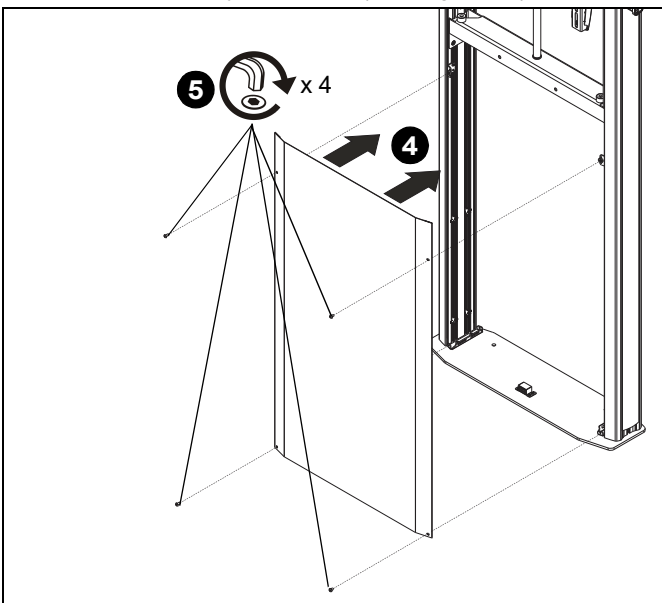


Figure 18

Cable Management

NOTE: The following cable management options may vary based on type of display being mounted and user preference.

1. Place FCA clip (P) into groove on back of Fusion mount with clip handle in a vertical position. (See Figure 19)
2. Rotate FCA clip (P) 90° in either direction until clip handle is in a horizontal position. (See Figure 19)
3. Repeat Steps 1-2 for all clips to be installed.

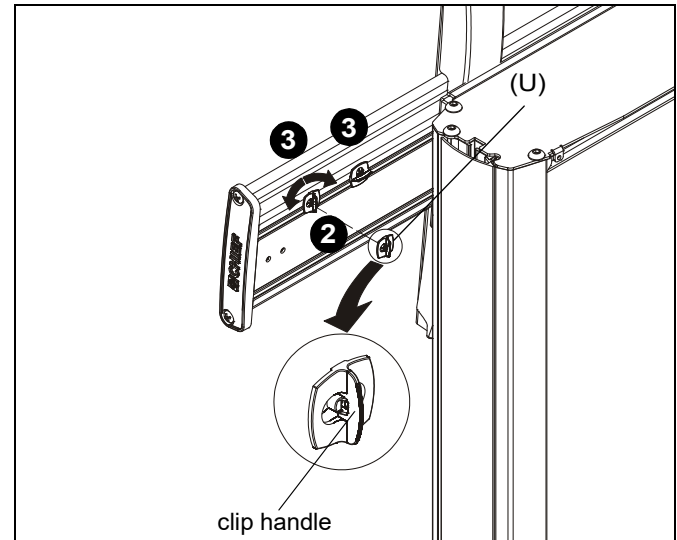


Figure 19

4. Route cables along FCA clips (P) to be used for cable management. (See Figure 20)
5. Use cable ties (Q) to secure cables to FCA clips. (See Figure 20)

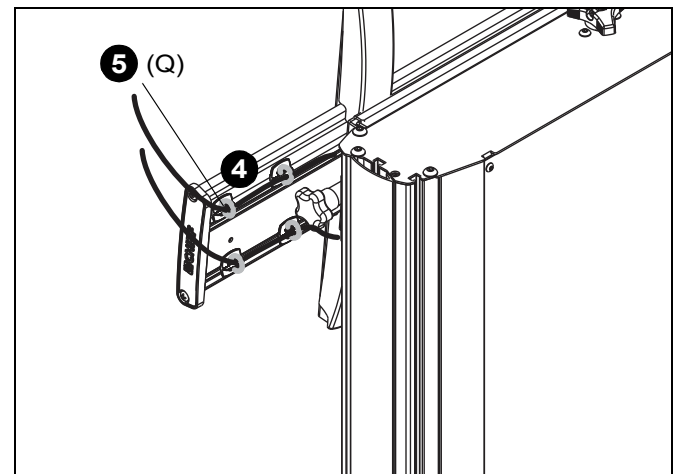


Figure 20

- Route cables from display through inside of column assembly attaching at cable management attachment points and/or accessory bracket using cable ties (K) or cable clips (T) as desired. (See Figure 21)

IMPORTANT ! : Route cables when display is at its highest point and make sure enough slack exists so that height may be adjusted without straining the cables!

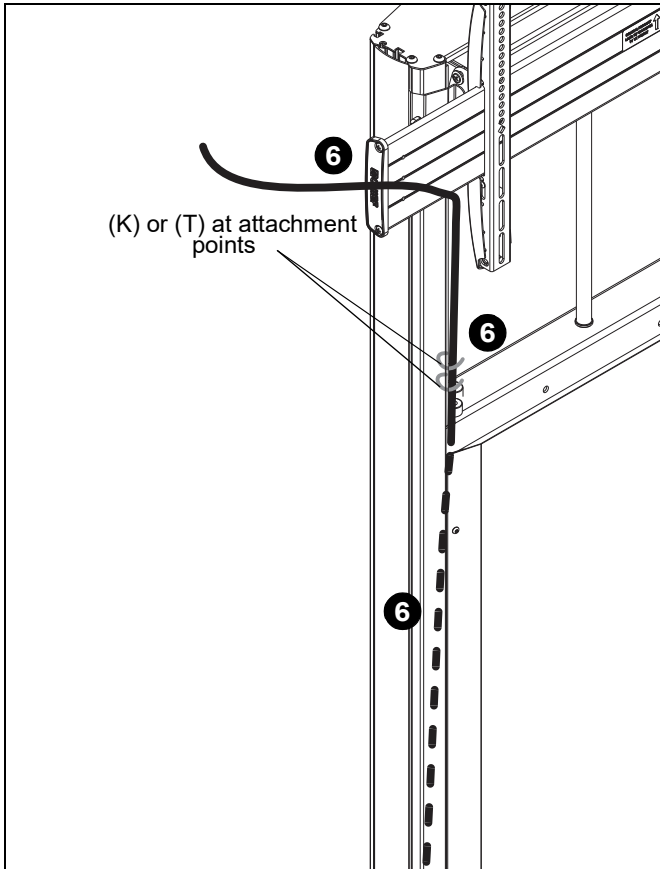


Figure 21

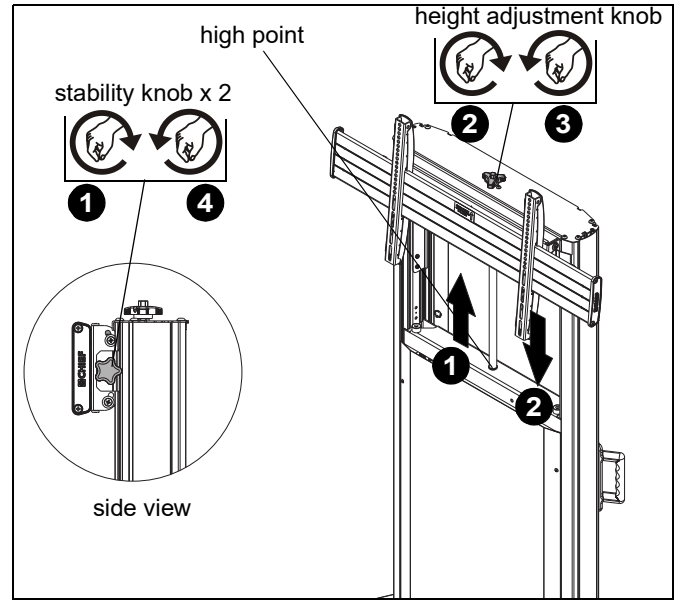


Figure 22

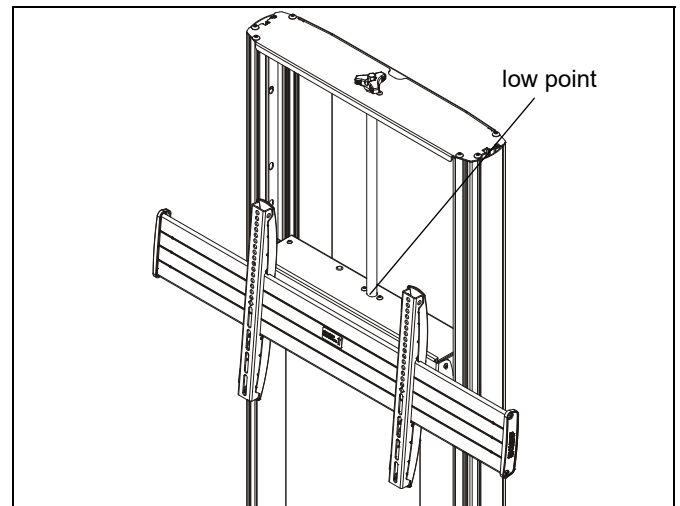


Figure 23

Adjustments

Height Adjustment

- Loosen two stability knobs on either side of head assembly. (See Figure 22)
- Turn height adjustment knob clockwise to raise display. (See Figure 22)
- Turn height adjustment knob counterclockwise to lower display. (See Figure 22)



WARNING: Do not attempt to raise or lower the adjustment carriage beyond its upper or lower limit. High and low points are shown in Figures 21 and 22.

NOTE: A 1/2" socket wrench or drill may also be used to adjust height by turning bolt just above height adjustment knob.

- Tighten two stability knobs on either side of head assembly. (See Figure 22)

Pitch Adjustment



WARNING: Removing pitch adjustment screws when the display is installed will result in the display falling from the mount! Do NOT remove pitch adjustment screws completely while the display is installed to the mount!

5. Loosen two stability knobs on either side of head assembly. (See Figure 24)
6. Loosen pitch adjustment screws to allow pitch to be adjusted. (See Figure 24)
7. Adjust pitch as desired. (See Figure 24)
8. Tighten pitch adjustment screws to lock pitch position. (See Figure 24)
9. Tighten two stability knobs on either side of head assembly. (See Figure 24)

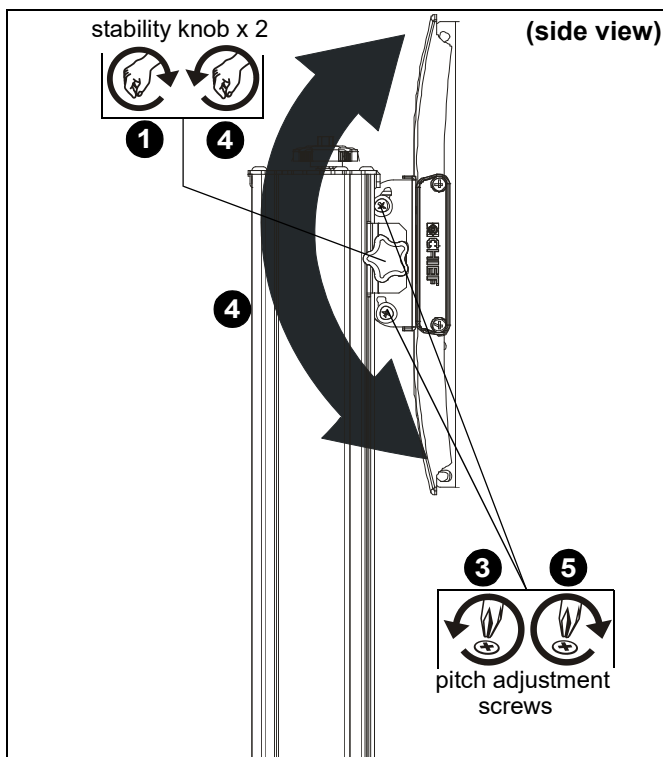


Figure 24



Our Mounts. **Your Vision.**

Chief, a products division of
Milestone AV Technologies

8800-003054 Rev00
©2018 Milestone AV Technologies
www.milestone.com
04/18

USA/International	A 6436 City West Parkway, Eden Prairie, MN 55344 P 800.582.6480 / 952.225.6000 F 877.894.6918 / 952.894.6918
Europe	A Franklinstraat 14, 6003 DK Weert, Netherlands P +31 (0) 495 580 852 F +31 (0) 495 580 845
Asia Pacific	A Office No. 918 on 9/F, Shatin Galleria 18-24 Shan Mei Street Fotan, Shatin, Hong Kong P 852 2145 4099 F 852 2145 4477

