



Quick Start Guide

4MP Vandal Dome IP Camera

O4D2M



Welcome

Thank you for purchasing this network camera!

This owner's manual is designed to be a reference tool for your system.

Please read this manual carefully before operating the unit and retain it for future reference.

Should you require any technical assistance, please contact Speco Technologies Technical Support.

Important Safeguards and Warnings

1 . Electrical safety

All installation and operation here should conform to local electrical safety codes.

Use a certified/listed 12VDC Class 2 power supply only.

Please note: Do not connect two power supplying sources to the device at the same time; it may result in device damage! The product must be grounded to reduce the risk of electric shock.

Improper handling and/or installation could run the risk of fire or electrical shock.

2 . Environment

Heavy stress, violent vibration or exposure to water is not allowed during transportation, storage and installation.

This product should be installed in a cool, dry place away from direct sunlight and heat sources.

Do not install the product in extreme temperature conditions.

Do not expose the camera to electromagnetic radiation. Otherwise it may result in CMOS sensor failure.

Do not block any ventilation openings.

Do not allow water and liquid intrusion into the camera.

3. Operation and Daily Maintenance

Please shut down the device and then unplug the power cable before you begin any maintenance work.

Do not touch the CMOS sensor optic component. You can use a blower to clean the dust on the lens surface.

Always use the dry soft cloth to clean the device. If there is too much dust, use a cloth dampened with a small quantity of neutral detergent. Finally use the dry cloth to clean the device.

Please use a professional optical cleaning method to clean the enclosure. Improper enclosure cleaning (such as using cloth) may result in poor IR functionality and/or IR reflection.

The grounding holes of the product are recommended to be grounded to further enhance the reliability of the camera.

Dome cover is an optical device, please don't touch or wipe cover surface directly during installation and use, please refer to the following methods if dirt is found:

Stained with dirt

Use oil-free soft brush or hair dryer to remove it gently.

Stained with grease or fingerprint

Use oil-free cotton cloth or paper soaked with alcohol or detergent to wipe from the lens center outward. Change the cloth and wipe several times if it is not clean enough.

Warning

This camera should be installed by qualified personnel only.

All the examination and repair work should be done by qualified personnel.

Any unauthorized changes or modifications could void the warranty.

Statement

This guide is for reference only.

Product, manuals and specifications may be modified without prior notice. Speco Technologies reserves the right to modify these without notice and without incurring any obligation.

Speco Technologies is not liable for any loss caused by improper operation.

Note:

Before installation, check the package and make sure that all components are included.

Contact your rep or Speco customer service department immediately if something is broken or missing in the package.

Accessory Name	Amount
Network Camera Unit	1
Quick Start Guide	1
Installation Accessories Bag	1
CD	1

Table of Contents

1	Structure	1
1.1	Port Description.....	1
1.2	Dimensions	2
1.3	Bidirectional Audio	2
1.3.1	Device-end to PC-end.....	2
1.3.2	PC-end to Device-end.....	2
1.4	Alarm Setup	3
2	Device Installation	5
2.1	Installation Steps	5
2.2	Micro SD Card Installation.....	7
3	IP Scanner	8
3.1	Operation	8
4	Web Operation.....	9
4.1	Login and Main Interface	9

1 Structure

1.1 Port Description

You can refer to the following figure for more details. See Figure 1-1.

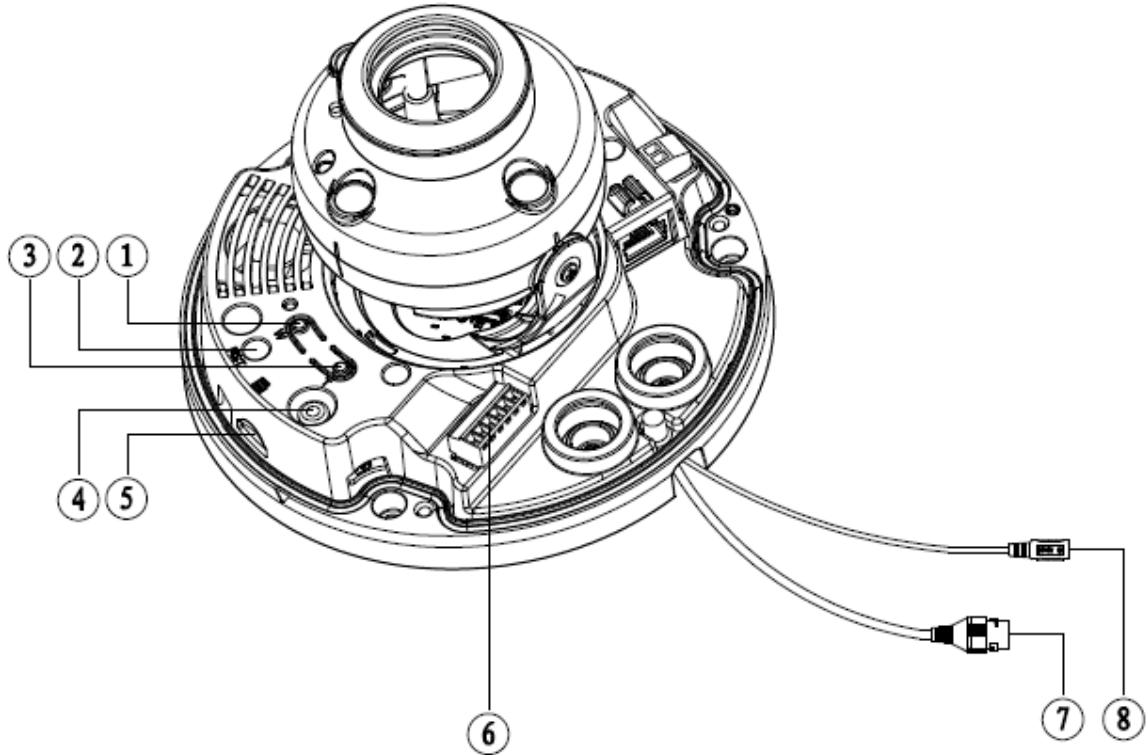


Figure 1-1

Please refer to the following sheet for detailed information.

SN	Port	Port Name	Function Description
1	Zoom W	-	Adjusts lens to wide angle end (image min zoom)
2	RESET	Reset button	Restores device to factory default.
3	Zoom T	-	Adjusts lens to telephoto end (image max zoom)
4	VIDEO_OUT	-	Analog output video signal, able to connect to test monitor to view image.
5	Micro SD	Micro SD slot	Micro SD for local storage
6	I/O	I/O port	Includes alarm input/output and audio input/output.
7	LAN	Network port	<ul style="list-style-type: none">Connects to standard EthernetSupports POE function
8	POWER	Power input port	Power port, input DC12V

1.2 Dimensions

Please refer to the following figure for dimension information. The unit is mm. See Figure 1-2

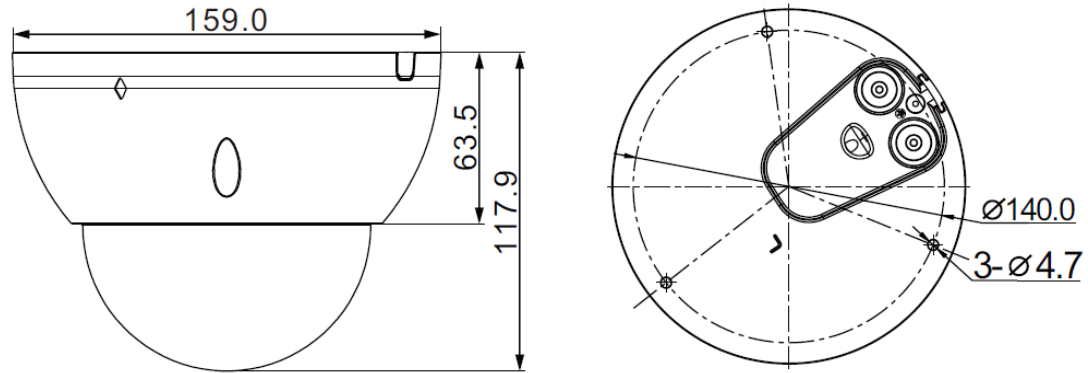


Figure 1-2

1.3 Bidirectional Audio

1.3.1 Device-end to PC-end

Device Connection

First, connect a microphone to the audio input port of the device. Then connect a speaker to the audio output port of the PC. Log in to the web viewer's live view page and then click the microphone button on the top right corner to enable the bidirectional audio function.

1.3.2 PC-end to Device-end

Device Connection

Enable microphone input on the PC. Then connect a speaker to the audio output port of the device. Log in to the web viewer's live view page and then click the microphone button on the top right corner to enable the bidirectional audio function.

1.4 Alarm Setup

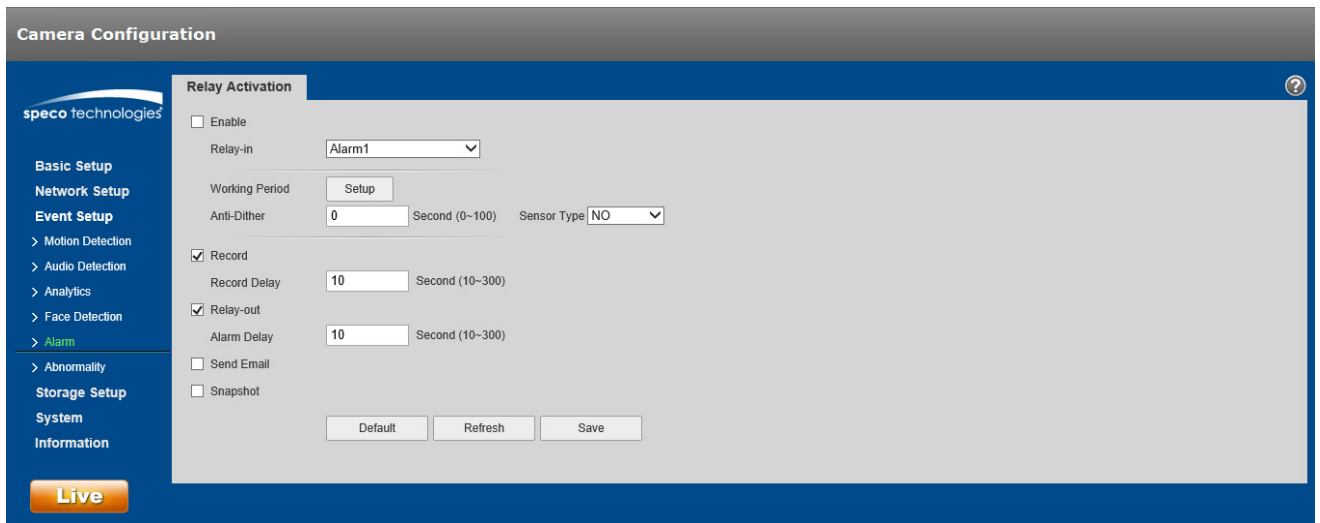


Figure 1-3

Alarm input, output description:

- Step 1 Connect alarm input device to the alarm input port.
- Step 2 Connect alarm output device to the alarm output port. Alarm output is collector open circuit output which connects 10K resistor to 3.3V externally.
- Step 3 Open the web viewer, set alarm input and output correspondingly.

Please refer to the following figure for alarm input information. See Figure 1-4.

Alarm input: When the input signal is idle or grounded, the device can collect the different statuses of the alarm input port. When the input signal is connected to 3.3V or is idle, the device collects the logic "1". When the input signal is grounded, the device collects the logic "0".

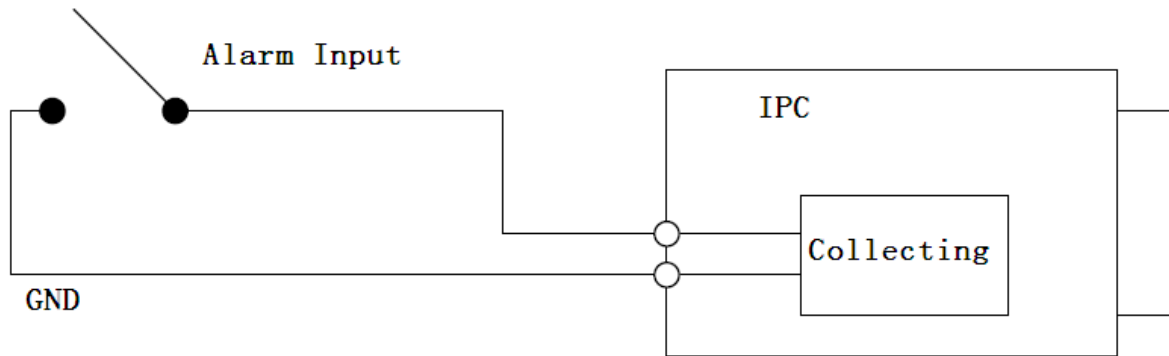
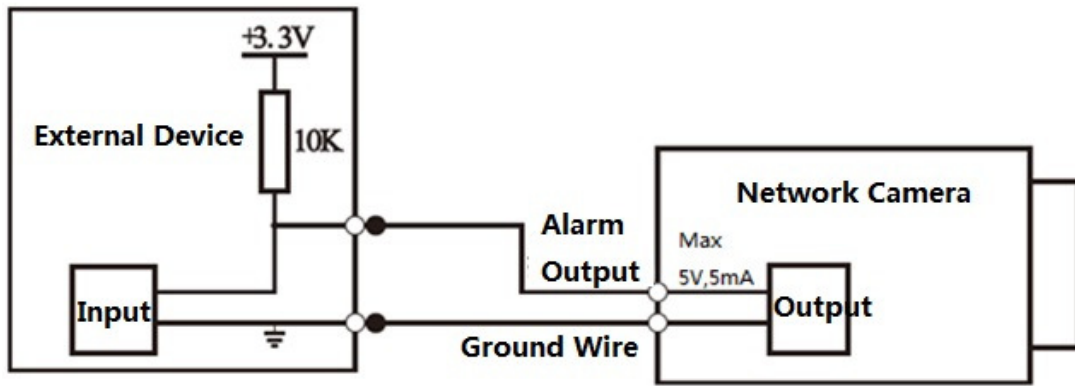


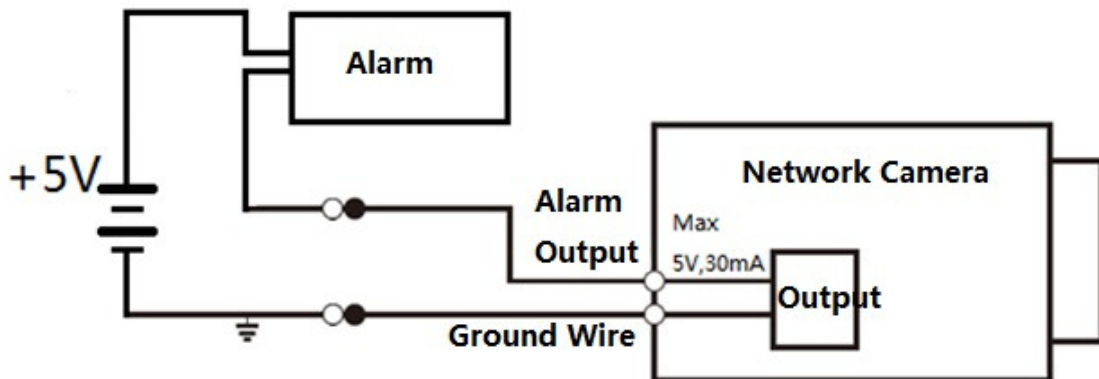
Figure 1-4

Please refer to the following figure for alarm output information. See Figure 1-5 and Figure 1-6.



A

Figure 1-5



B

Figure 1-6

Mode A: Level application. Alarm output high and low level, alarm output is OC; it needs to increase pull-up resistance externally to work normally. Max external pull-up level is 5V, max port current is 5mA. After external pull-up resistance is increased, the default of output signal is high level (external pull-up voltage), and it switches to low level when there is alarm output (when the working current is 5mA, output voltage is less than 0.8V).

Mode B: Switch application. Alarm output is used to drive external circuit, max current is 30mA, max voltage is 5V, it is advised to add a relay if it is beyond the value.

2 Device Installation

Note:

- Before installation, please make sure the installation surface can support a minimum of 3 times the weight of the camera

2.1 Installation Steps

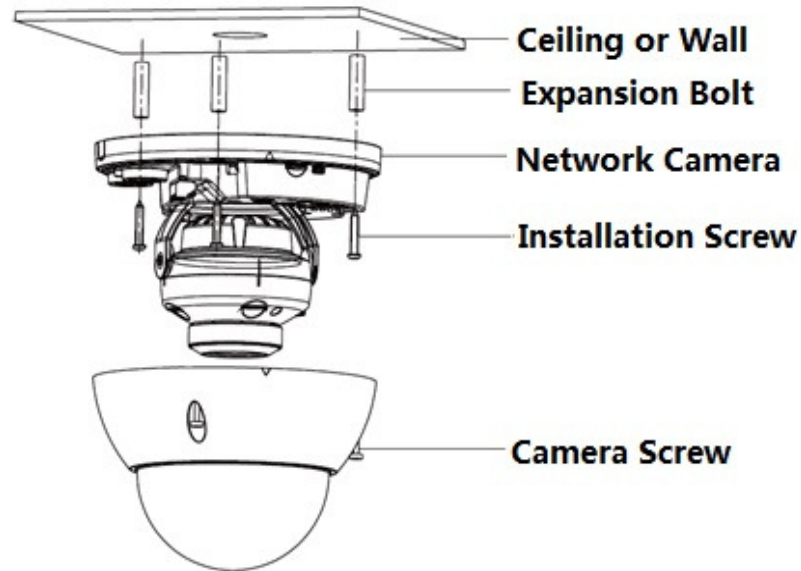


Figure 2-1

Please follow the steps listed below to install the device. Please refer to Figure 2-1 for reference.

Step 1

Use star-shaped wrench in the accessories bag to unscrew the three star-shaped screws on the dome enclosure, and then open the dome enclosure.

Step 2

Please take out the installation position template in the accessories bag, and then paste it on the ceiling or the wall where you wish to install the camera.

Step 3

Find the “cross” signs on the template, and drill three holes on the installation surface for the expansion bolts and then insert the expansion bolts into the holes. Secure these bolts firmly.

Step 4

Adjust the device installation pedestal to the proper position and then pull cable through the exit hole on the installation surface. Line up the three screw holes in the device pedestal to the three plastic expansion bolt holes. Put the installation screws into the plastic expansion bolts and secure them firmly. Fix the pedestal on the installation surface.

Step 5

Adjust the lens to the desired angle.

Hold the screw location of the rotation bracket on both sides, turn the rotation bracket horizontally, adjust the lens direction horizontally to the targeted position; unscrew the two locking screws on both sides (do not remove them completely, just make them loose), hold the IR light decoration cover to make the lens rotate vertically, adjust the vertical direction of lens to a proper monitoring angle, then tighten the locking screws on

both sides; Hold the IR light decoration cover to rotate horizontally, adjust the image and adjust the lens horizontal direction to the targeted location; Range of adjusting lens angle: vertical rotation direction ($0^{\circ} \sim +65^{\circ}$), horizontal rotation direction ($0^{\circ} \sim +355^{\circ}$), image horizontal rotation direction ($0^{\circ} \sim +355^{\circ}$).

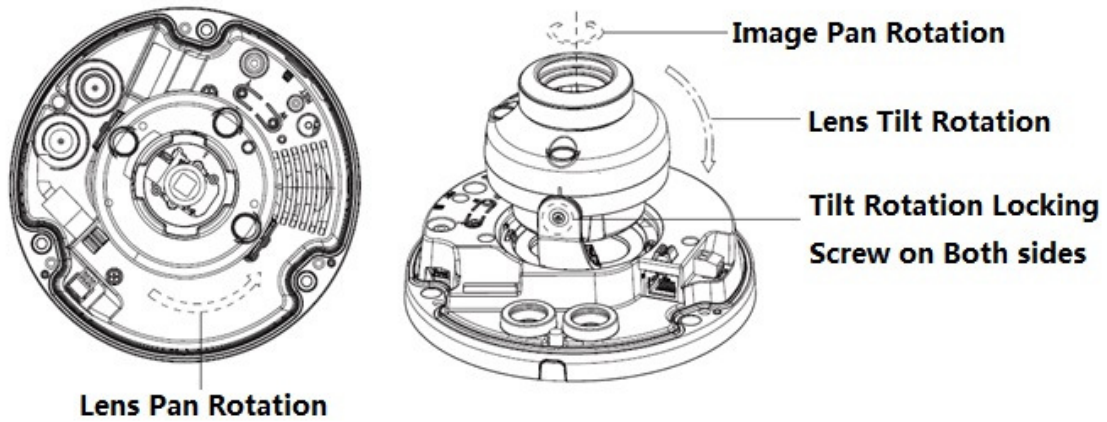


Figure 2-2

Step 6

Take up the dome enclosure; aim the location of side cable exit and cover the enclosure, use the hex wrench to secure the dome screws firmly.

Cable Connection

The device has two wiring holes and supports pins with a diameter of less than 15mm to pass through.

The device is equipped with two waterproof sealing plugs for the holes. The plug supports cables a diameter between 4.0mm ~ 6.0mm to pass through.

Please refer to the following steps for the exact use:

Step 1

Take out the waterproof sealing plug, and pull the cable with 4.0mm~6.0mm diameter through the sealing plug according to the direction shown in the following figure.

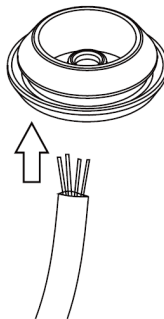


Figure 2-3

Step 2

Before step 4 of device installation, install the cable with waterproof sealing plug on the pedestal through the installation hole under the device pedestal, and assemble the cable pin.

Step 3

Connect the pin to the device and install the device according to the normal steps.

2.2 Micro SD Card Installation

Note:

Please shut down the device before you install a Micro SD card.

Step 1

Open the device enclosure according to the step 1 in the device installation.

Step 2

Find the "Micro SD" slot in the device; adjust the direction of Micro SD card according to the direction shown on the device and insert the card into the slot.

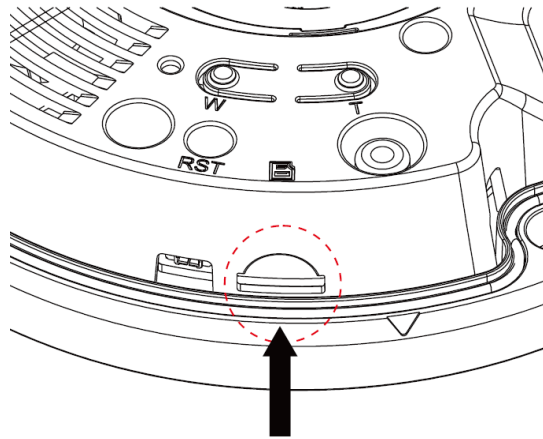


Figure 2-4

3 IP Scanner

IP Scanner can search for the device on the local network.

Please note that only devices that are on the same subnet can be discovered.

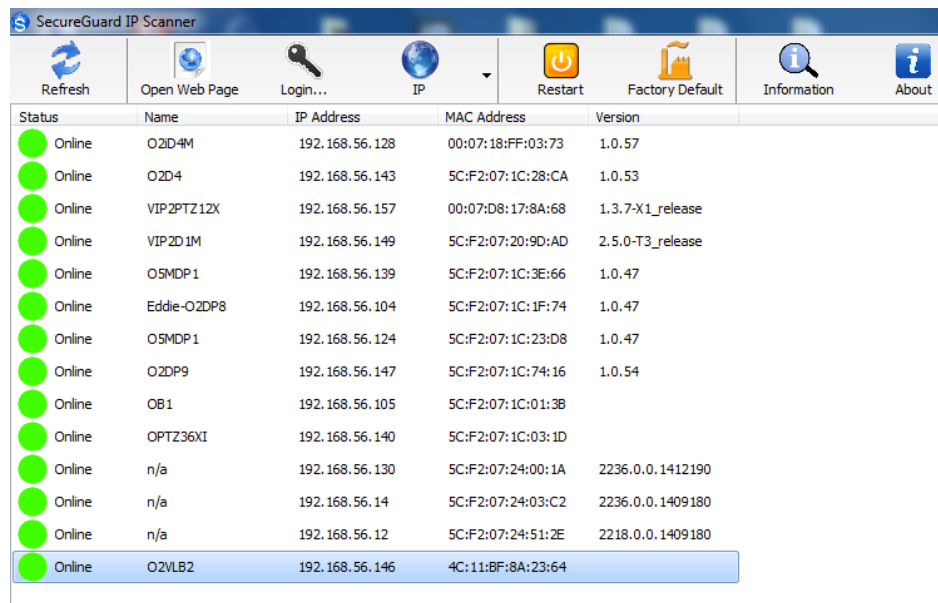
The device is set to DHCP mode by default.

3.1 Operation

Open up IP Scanner.

Error! Reference source not found.

In the device list, you can view the IP address, model number, and MAC address of each device. Select the applicable device and double click to open up the web viewer.



The screenshot shows the 'SecureGuard IP Scanner' application window. At the top, there is a toolbar with icons for Refresh, Open Web Page, Login..., IP (with a dropdown arrow), Restart, Factory Default, Information, and About. Below the toolbar is a table with the following columns: Status, Name, IP Address, MAC Address, and Version. The table lists 15 devices, all with a status of 'Online'. The last row, 'O2VLB2', is highlighted in blue.

Status	Name	IP Address	MAC Address	Version
Online	O2D4M	192.168.56.128	00:07:18:FF:03:73	1.0.57
Online	O2D4	192.168.56.143	5C:F2:07:1C:28:CA	1.0.53
Online	VIP2PTZ12X	192.168.56.157	00:07:D8:17:8A:68	1.3.7-X1_release
Online	VIP2D1M	192.168.56.149	5C:F2:07:20:9D:AD	2.5.0-T3_release
Online	O5MDP1	192.168.56.139	5C:F2:07:1C:3E:66	1.0.47
Online	Eddie-O2DP8	192.168.56.104	5C:F2:07:1C:1F:74	1.0.47
Online	O5MDP1	192.168.56.124	5C:F2:07:1C:23:D8	1.0.47
Online	O2DP9	192.168.56.147	5C:F2:07:1C:74:16	1.0.54
Online	OB1	192.168.56.105	5C:F2:07:1C:01:3B	
Online	OPTZ36XI	192.168.56.140	5C:F2:07:1C:03:1D	
Online	n/a	192.168.56.130	5C:F2:07:24:00:1A	2236.0.0.1412190
Online	n/a	192.168.56.14	5C:F2:07:24:03:C2	2236.0.0.1409180
Online	n/a	192.168.56.12	5C:F2:07:24:51:2E	2218.0.0.1409180
Online	O2VLB2	192.168.56.146	4C:11:BF:8A:23:64	

Figure 3-1

4 Web Operation

This device supports viewing and management via a web browser on a PC.

4.1 Login and Main Interface

Open the browser and input network camera address in the address bar or double click the device in IP Scanner.
See Figure 4- 1.

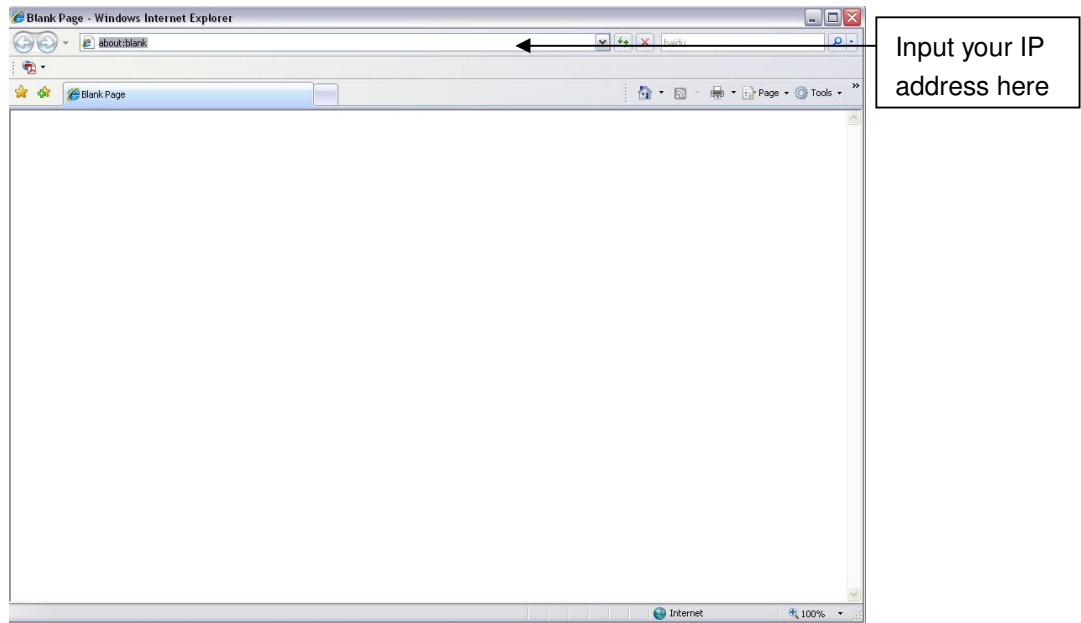


Figure 4- 1 IP address

The login interface is shown as below. See Figure 4- 2.

Please input your user name and password.

Default user name is **admin** and password is **1234**.

Note: For security purposes, please change the password after initial login.

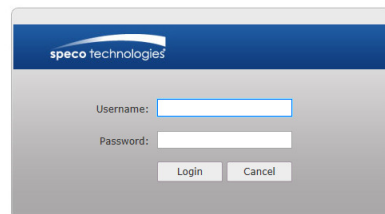


Figure 4- 2 Web login

After logging in, follow directions to install applicable plugins.